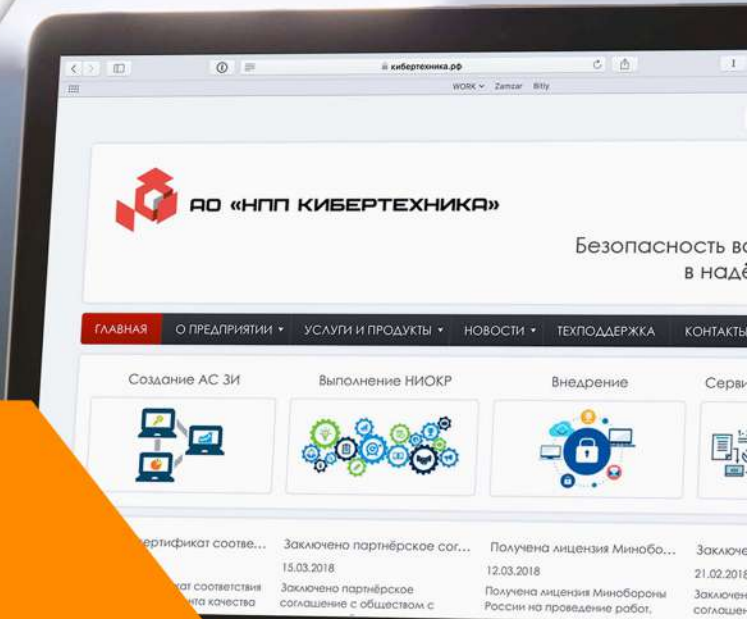


IN VOLUME #2  
ISSUE #3  
MARCH 2024

ISSN: 2992-8869



# JOURNAL OF SCIENCE-INNOVATIVE RESEARCH IN UZBEKISTAN

- Exact Sciences
- Natural Sciences
- Technical Sciences
- Pedagogical Sciences
- Social Sciences
- Philosophical Sciences
- Philology
- Economics
- Agriculture
- Psychological Sciences
- Medical Sciences



Research Science and  
Innovation House

OJS / PKP  
**ISSN**

INTERNATIONAL  
STANDARD  
SERIAL  
NUMBER



[www.universalpublishings.com](http://www.universalpublishings.com)



**“RESEARCH SCIENCE AND INNOVATION HOUSE” MCHJ**

# **JOURNAL OF SCIENCE RESEARCH**

**Research Science and  
Innovation House**

**VOLUME 2, ISSUE 3,  
2024. MARCH**

**Tel: +998930901912**

**Web sayt: <http://universalpublishings.com> Email: [sabirovj75@gmail.com](mailto:sabirovj75@gmail.com)**

«Journal of science-innovative research in Uzbekistan» ilmiy-uslubiy jurnali:  
31.03.2024-yil.

Ushbu to‘plamda « Journal of science-innovative research in Uzbekistan » ilmiy-uslubiy jurnali 2024-yil 2-soni 3-qismiga qabul qilingan maqolalar nashr etilgan.

Jurnal tarkibidagi barcha maqolalarga DOI unikal raqami biriktirilib, **Directory of Research Journals Indexing, Researchbib, Index Copernicus, Zenodo, Open Aire, Google Scholar** xalqaro ilmiy bazalarida indekslandi.

OAK tomonidan dissertatsiyalar asosiy ilmiy natijalarini chop etishga tavsiya etilgan jurnallar ro‘yxatidagi milliy jurnallarda chiqarilgan maqolalar sifatida rasman tan olinadi.

**Asos:** O‘zbekiston Respublikasi Oliy attestatsiyasi komissiyasining dissertatsiyalar asosiy ilmiy natijalarini chop etish tavsiya etilgan ilmiy nashrlar ro‘yxati 3-sahifasi. – Toshkent: 2019. – 160 b.

Jurnal materiallaridan professor-o‘qituvchilar, mustaqil izlanuvchilar, doktorantlar, magistrantlar, talabalar, litsey-kollejlar va maktab o‘qituvchilari, ilmiy xodimlar hamda barcha ilm-fanga qiziquvchilar foydalanishlari mumkin.

— **Eslatma!** Jurnal materiallari to‘plamiga kiritilgan ilmiy maqolalardagi raqamlar, hisobotlar, ma’lumotlar haqqoniyligiga va keltirilgan iqtiboslar to‘g‘riligiga mualliflar shaxsan javobgardirlar.

“RESEARCH SCIENCE AND  
INNOVATION HOUSE” MCHJ





## TAHRIRIYAT

**Bosh muharrir,** Matsaidova Sayyora Xudayberganovna, Urganch davlat universiteti, Geografiya kafedrası, pedagogika fanlari nomzodi, dotsent

**Mas’ul kotib:** Sobirov Javoxir Xayrulla o‘g‘li Urganch davlat Universiteti talabasi

**Nashrga tayyorlovchi:** Eshqorayev Samariddin Sadridin o‘g‘li Termiz muhandislik-texnologiya instituti talabasi.

## TAHRIR KENGASHI A’ZOLARI

1. **Rahimov Rahimboy Atajanovich**, Urganch davlat universiteti professori, Texnika fanlari doktori, Rossiya tabiiy fanlar akademiyasining Akademigi.
2. **Isayev Sabirjan Xusanbayevich**, “Toshkent irrigatsiya va qishloq xo‘jaligini mexanizatsiyalash muxandislari instituti” milliy tadqiqot universiteti, Irrigatsiya va melioratsiya kafedrası, qishloq xo‘jaligi fanlari doktori, professor.
3. **Matyakubov Baxtiyar Shamratovich**, “Toshkent irrigatsiya va qishloq xo‘jaligini mexanizatsiyalash muxandislari instituti” milliy tadqiqot universiteti, “Irrigatsiya va melioratsiya” kafedrası professori, qishloq xo‘jaligi fanlari doktori, professor.
4. **Norboyeva Umida Toshtemirovna**, Buxoro davlat universiteti, Ekologiya va geografiya kafedrası professori, DSc (Biologiya fanlari), professor.
5. **Matsaidova Sayyora Xudayberganovna**, Urganch davlat universiteti, Tabiiy va qishloq xo‘jaligi fanlari fakulteti, Geografiya kafedrası, pedagogika fanlari nomzodi, dotsent.
6. **Xamroyev Muxtor Ozodovich**, Urganch davlat universiteti, Geografiya kafedrası, Geografiya fanlari nomzodi, dotsent.
7. **Matchanov Otabek Jumanazarovich** Urganch Davlat Universiteti, Texnika fakulteti Geodeziya, Kartografiya, kafedrası Dotsenti. Yo‘nalish - Tabiiy Geografiya.
8. **Djumaniyazava Muhayyo Xusinovna**, Urganch davlat Universiteti Pedagogika fakulteti Pedagogika va psixologiya kafedrası dotsenti, psixologiya fanlari bo‘yicha falsafa doktori (PhD).
9. **Djumayev Mamanazar Irgashevich** Pedagogika fanlari nomzodi, professor Nizomiy nomidagi Toshkent davlat pedagogika universiteti Boshlang‘ich ta’limda matematika va uni o‘qitish metodikasi kafedrası , professori p.f.n.
10. **Qandov Bahodir Mirzaevich** Falsafa fanlari bo‘yicha falsafa doktori (PhD) Chirchiq davlat pedagogika universiteti gumanitar fanlar fakulteti milliy g‘oya, ma’naviyat asoslari va huquq ta’limi kafedrası PhD, dotsenti.



11. **Samandarov Ergash Iskandarovich**, Urganch davlat universiteti Tabiiy va qishloq xo‘jaligi fanlari fakulteti Ekologiya va xayot faoliyati xavfsizligi kafedrasasi, qishloq xo‘jaligi fanlari nomzodi, dosent.
12. **Egamov Baxtiyor Nurmetovich**, Urganch davlat universiteti, “Iqtisodiyot” kafedrasasi dotsenti, iqtisod fanlari nomzodi.
13. **Rajabov Alibek Xushnodbekovich**, Urganch davlat universiteti, Iqtisodiyot kafedrasasi, iqtisodiyot fanlari bo‘yicha falsafa doktori (PhD).
14. **Babajanova Sanabar Yuldashbayevna**, Urganch davlat universiteti Tabiiy va qishloq xo‘jaligi fanlari fakulteti “Ekologiya va hayot faoliyati xavfsizligi” kafedrasasi, qishloq xo‘jaligi fanlari bo‘yicha falsafa doktori-PhD., dotsent.
15. **Masharipov Adamboy Atanazarovich**, Urganch davlat universiteti Tabiiy va qishloq xo‘jaligi fanlari fakulteti “Ekologiya va hayot faoliyati xavfsizligi” kafedrasasi dotsenti.
16. **Ismoilova Himoyat Matnazarovna**, Urganch davlat universiteti, Kimyo kafedrasasi, kimyo fanlari falsafa doktori (PhD), dotsent.
17. **Ismayilova Intizar**, Urganch davlat Universiteti Tabiiy va qishloq xo‘jaligi fanlari fakulteti Biologiya kafedrasasi, qishloq xo‘jaligi fanlari nomzodi, dotsent.
18. **Razakova Rayxan Saylaubekovna** Urganch davlat universiteti Pedagogika fakulteti Pedagogika va psixologiya kafedrasasi dotsenti, psixologiya fanlari bo‘yicha falsafa doktori, PhD.
19. **Ataullayev Zokir Maxsudovich**, Urganch davlat universiteti, kimyo kafedrasasi, pedagogika fanlari falsafa doktori (PhD), kimyo kafedrasasi dotsenti.
20. **Raximova Xolisxon Maksudovna**, Urganch davlat universiteti, Biologiya kafedrasasi, biologiya fanlari falsafa doktori (PhD) , dotsent.
21. **Axmedova Ma‘rifat Abdullayevna** Urganch davlat universiteti Tarix fakulteti O‘zbekistonda demokratik jamiyat qurish nazariyasi kafedrasasi dotsenti.
22. **Raximova E‘tibor Rustamovna**, Urganch davlat universiteti, “Pedagogika va psixologiya” kafedrasasi o‘qituvchisi, psixologiya fanlari bo‘yicha falsafa doktori (PhD).
23. **Parda Alimov**, Termiz davlat pedagogika instituti, O‘zbek tili va adabiyoti kafedrasasi dotsenti, filologiya fanlari nomzodi.
24. **Mardonova Lobar Umaraliyevna**, Termiz davlat pedagogika instituti, O‘zbek tili va adabiyoti kafedrasasi mudiri, filologiya fanlari bo‘yicha falsafa doktori (PhD).
25. **Tajiyev Zokirjon Rajabovich**, Urganch davlat universiteti Tabiiy va qishloq xo‘jaligi fanlari fakulteti “Biologiya” kafedrasasi, qishloq xo‘jaligi fanlari nomzodi, dotsent.
26. **Atadjanov Ilhom Sharipovich** Urganch davlat universiteti, Tabiiy va qishloq xo‘jaligi fanlari fakulteti. Geografiya kafedrasasi dotsenti.
27. **Raximova Go‘zal Yuldashovna**, Urganch davlat universiteti, Tarjima nazariyasi va amaliyoti kafedrasasi mudiri, PhD.

28. **Atabayeva Mavjuda Rustamovna**, Urganch Davlat Universiteti qoshidagi akademik liseyi Oliy toifali geografiya fani o'qituvchisi.
29. **Xamidov Abdumalik Kironovich**, Termiz davlat pedagogika instituti, o'zbek tili va adabiyoti kafedrası, filologiya fanlari bo'yicha falsafa doktori (PhD), dotsent.
30. **Matchanova Aybibi Erkinovna**, Urganch davlat universiteti, Geografiya kafedrası, geografiya fanlari falsafa doktori (PhD).
31. **Ashurbayeva Rukiya Kaxxorovna**, Pedagogika fanlari nomzodi (PhD) Buxoro davlat tibbiyot instituti o'zbek tili va adabiyoti, rus tili, pedagogika, psixologiya kafedrası PhD assistenti.
32. **Narzullayeva Dilfuza Saitovna** Filologiya fanlari bo'yicha falsafa doktori (PhD) Buxoro muhandislik-texnologiya instituti O'zbek tili va adabiyoti kafedrası dotsenti.
33. **Kazimova Gulnora Xakimovna** falsafa fanlari nomzodi, Buxoro muxandislik- texnologiya instituti Ozbek tili va adabiyoti kafedrası dotsenti.
34. **Sapayeva Rayxon Bobojonovna** Filologiya fanlari bo'yicha falsafa doktori (PhD) Urganch davlat universiteti, “Roman-german filologiyasi” kafedrası katta o'qituvchisi (PhD).
35. **Bahodirova Feruza Bahodir qizi** Falsafa fanlari bo'yicha falsafa doktori (PhD) UrDU Roman-german filologiyasi kafedrası PhD, dotsenti
36. **Eshchanova Aziza Karriyevna**, Urganch davlat universiteti, Tabiiy va qishloq xo'jaligi fanlari fakulteti, Kimyo kafedrası, kimyo fanlari falsafa doktori (PhD), katta o'qituvchi.
37. **Sadikova Saboxat Babayevna**, Urganch davlat universiteti, Kimyo kafedrası, kimyo fanlari bo'yicha falsafa doktori (PhD), dotsent v.b
38. **Azizjanov Xushnud Maksudovich**, Urganch davlat universiteti, Kimyo kafedrası, kimyo fanlari nomzodi, dotsent.
39. **Baxronov Jur'at Djurakulovich** Tibbiyot fanlari bo'yich falsafa doktori (PhD), Gistologiya, sitologiya va embriologiya kafedrası mudiri.
40. **Hakimov Sherali Qo'zievich**. Tibbiyot fanlari bo'yicha falsafa doktori. Buxoro davlat tibbiyot instituti, travmatologiya va neyroxirurgiya kafedrası v.b. dotsenti.
41. **Samadova Shaxzoda Isoqovna** Tibbiyot fanlari bo'yicha falsafa doktori (PhD), Buxoro davlat tibbiyot instituti Terapevtik stomatologiya kafedrası v.b. dotsenti.
42. **Azimov Sardorbek Ilhomovich** Tibbiyot fanlari bo'yicha falsafa doktori (PhD), Buxoro Davlat Tibbiyot Instituti Urologiya, nefrologiy va gemodializ kafedrası mudiri ,dotsent.
43. **Hamroyeva Dilafro'z Shukurovna** Tibbiyot fanlari bo'yicha falsafa doktori (PhD), Buxoro davlat tibbiyot instituti Terapevtik stomatologiya kafedrası assistenti.



44. **Xodjayeva Gulshod Baxadirovna**, Urganch davlat universiteti, Fakultetlararo chet tillar kafedrasini, PhD, kafedra dotsenti.
45. **Jonibekov Jasurbek Jonibekovich** Tibbiyot fanlari bo'yicha falsafa doktori (PhD) Buxoro davlat tibbiyot instituti, Yadro tibbiyoti va tibbiy radiologiya kafedrasini mudiri.
46. **Raxmatova Dilbar Baxriddinovna**, Ichki kasalliklar kafedrasini dotsenti (kardiologiya ixtisosligi bo'yicha), PhD (profilaktik tibbiyot va kardiologiya ixtisosligi).
47. **Davronova Shohsanam Gaybulloyevna** Buxoro davlat universiteti Buxoro davlat universiteti. Filologiya fakulteti O'zbek tili va adabiyoti kafedrasini, DSc, dots.
48. **Nusratov Umid G'olibovich** Tibbiyot fanlari bo'yicha falsafa doktori (PhD) Buxoro Davlat tibbiyot instituti Ortopedik stomatologiya va ortodonti kafedrasini assistenti.
49. **Radjapova Feruza Abdullaevna**, Urganch davlat universiteti, Fakultetlararo chet tillar kafedrasini mudiri, PhD (Filologiya fanlari), dotsent.
50. **Saidmuratova Malohat Baxtiyorovna**, UrDU pedagogika fakulteti "pedagogika va psixologiya" kafedrasini katta o'qituvchi, psixologiya fanlari bo'yicha falsafa doktori (PhD). v.b. dots.
51. **Choriyev Faxriddin Abdig'apparovich** O'zbekiston Respublikasi jamoat xavfsizligi universiteti "Xarbiy vatanparvarlik ma'naviy-ma'rifiy tarbiya va yoshlar bilan ijtimoiy ishlash" kafedrasini dotsenti
52. **Baxranov Sherzad Tashtursunovich** O'zbekiston Respublikasi jamoat xavfsizligi universiteti "Xarbiy vatanparvarlik ma'naviy-ma'rifiy tarbiya va yoshlar bilan ijtimoiy ishlash" kafedrasini O'qituvchisi
53. **Xaitov Abror Uralovich** O'zbekiston Respublikasi jamoat xavfsizligi universiteti "Xarbiy vatanparvarlik ma'naviy-ma'rifiy tarbiya va yoshlar bilan ijtimoiy ishlash" kafedrasini O'qituvchisi
54. **Xujaniyozova Oygul Rajabovna** Urganch davlat Universiteti Pedagogika fakulteti Pedagogika va psixologiya kafedrasini dotsenti
55. **Dexqonov Maxmud Roxataliyevich** Islom Karimov nomidagi Toshkent Davlat texnika universiteti falsafa fanlari doktori (PhD) dotsenti
56. **Berdiyev Xayriddin Abdullloyevich** Islom Karimov nomidagi Toshkent davlat texnika universiteti "O'zbekiston tarixi" kafedrasini tarix fanlari bo'yicha falsafa doktori (PhD), dotsent
57. **Rashidov Azizbek Ulugbekovich** PhD, dotsent, O'zbekiston davlat jismoniy tarbiya va sport universiteti
58. **Maxmudjon Ochilovich Shoniyozov** Toshkent davlat iqtisodiyot universiteti, Tillar kafedrasini filologiya fanlari nomzodi, dotsenti
59. **Atayeva Mexriniso Farxodovna**, Buxoro davlat universiteti dotsenti, pedagogika fanlari falsafa doktori (PhD).

60. **Boltayeva Zarina Azamatovna**, Buxoro davlat universiteti, Tabiiy fanlar fakulteti, Ekologiya va geografiya kafedrasida dotsenti, PhD (Biologiya fanlari), Dotsent
61. **Ibragimova Ra'no Isakovna** Filologiya fanlari falsafa doktori(PhD), Qoraqalpogiston qishloq xojaligi va agrotexnologiyalar instituti
62. **Kabulova Lola Tolibaevna** Qoraqalpoq davlat universiteti rus tili va adabiyoti kafedrasida dotsenti, filologiya fanlari namzodi.
63. **Kuryazov Rustamxon Shonazarovich** Urganch davlat Universiteti Tabiiy va qishloq xo'jaligi fanlari fakulteti Kimyo kafedrasida Kimyo fanlari nomzodi dotsent
64. **Ollaberganova Sanobar Xamidovna** Filologiya fanlari nomzodi, Urganch davlat universiteti “Boshlang'ich ta'lim metodikasi” kafedrasida dotsenti
65. **Nafisa Zaribova Umirboy qizi**, Urganch davlat universiteti biologiya kafedrasida o'qituvchisi, qishloq xo'jaligi fanlari falsafa doktori (PhD). nafisazaripova299@gmail.com
66. **Annamuratova Dilorom Raxmanovna** Urganch davlat universiteti "Biologiya" kafedrasida dotsenti, biologiya fanlari nomzodi, dotsent. dannamuratova@mail.ru
67. **Tursunov Burxon**, O'zbekiston Respublikasi jamoat Xavfsizligi universiteti Xarbiy Vatanparvalik ma'naviy-ma'rifiy tarbiya va yoshlar bilan ijtimoiy ishlash kafedrasida boshlig'i podpolkovnik
68. **Xudayberganova Ogiljan Batirovna** O'zbekiston Respublikasi Urganch davlat universiteti Ekologiya va hayot faoliyati xavfsizligi kafedrasida pedagogika fanlari nomzodi professori, Dotsent. Urganch, O'zbekiston. Elektron pochta: xydayberganova66@mail.ru
69. **Dusimov Zaribboy**, filologiya fanlari doktori (DSc), Urganch davlat universiteti, O'zbekiston
70. **Amanov Allabergan Kutlimuratovich**, Urganch davlat universiteti, Tabiiy va qishloq xo'jaligi fanlari fakulteti, Geografiya kafedrasida o'qituvchisi.
71. **Kuchkarova Dilbar Pirlapasovna**, Urganch davlat universiteti geografiya fani o'qituvchisi.
72. **Raximova Anamoy**, Qo'shko'pir tumani 25-son umum ta'lim maktabi Manaviy ma'rifiy ishlar direktori o'rinbosari. Geografiya fani o'qituvchisi.



## Unraveling the Pedagogical Conundrum: Teaching Reading as a Complex Challenge

**Nazarova Shoiraxon Abdumo‘min qizi**

, a first year doctorant of Tashkent State Pedagogical University after Nizami

**Annotation:** This comprehensive article explores the intricate challenges faced by educators in the realm of teaching reading. The author skillfully navigates through the diverse landscape of learners, acknowledging the heterogeneity of student abilities, backgrounds, and learning styles. The article delves into the perpetual debate between phonics and whole language instruction, highlighting the ongoing struggle for a balanced approach. A notable aspect of the article is its recognition of the impact of technology on literacy instruction. The discussion around the integration of digital tools in the 21st-century classroom adds depth to the exploration of pedagogical challenges, acknowledging the potential benefits and pitfalls of technology in reading education. Furthermore, the article emphasizes the pivotal role of reading comprehension in literacy development. By addressing the multifaceted nature of comprehension and proposing various strategies, the author underlines the importance of going beyond decoding skills to foster a deeper understanding and appreciation for written text. Socioeconomic factors are adeptly woven into the narrative, acknowledging the significant impact of societal disparities on literacy development.

**Key words:** Teaching reading, Pedagogical challenges, Heterogeneity of learners, Phonics vs. whole language, Digital literacy, Technology in education, Reading comprehension, Socioeconomic factors, Equitable approach, Literacy development, 21st-century skills, Inclusive education, Higher-order thinking, Contextual learning.

### **Introduction:**

The process of teaching reading is a multifaceted pedagogical challenge that educators grapple with across the globe. While literacy is a fundamental skill that opens doors to knowledge and critical thinking, the methods and approaches to teaching reading are as diverse as the learners themselves. At the heart of education lies the profound challenge of teaching reading—a multifaceted pedagogical quest that transcends the mere acquisition of language skills. As educators endeavor to

nurture the seeds of literacy, they grapple with a diverse spectrum of complexities, each layer contributing to the intricate mosaic of instructional dynamics. This exploration delves into the expansive landscape of teaching reading, acknowledging the inherent diversity among learners, the perpetual dialogues surrounding instructional methodologies, and the evolving intersections with technology and societal factors. Within this expansive terrain, educators navigate the delicate balance between fostering foundational skills and cultivating a deep, lifelong love for reading. Join us on a journey through the nuanced challenges that educators face, as they navigate the ever-shifting currents of teaching reading in a world that continues to redefine the boundaries of knowledge and learning. In this article, we delve into the complexities of teaching reading, exploring the various challenges faced by educators and the evolving nature of literacy instruction.

#### **Heterogeneity of Learners:**

One of the primary challenges in teaching reading lies in the diversity of learners. Students enter the classroom with a wide range of abilities, backgrounds, and learning styles. Some may have been exposed to rich language experiences from an early age, while others may face language barriers or learning disabilities. Tailoring reading instruction to meet the individual needs of each student demands a nuanced and adaptable pedagogical approach.

#### **Phonics vs. Whole Language Debate:**

The ongoing debate between phonics and whole language instruction adds another layer of complexity to the pedagogy of reading. Phonics advocates emphasize the importance of decoding skills and the systematic teaching of letter-sound relationships, while whole language proponents argue for a more holistic approach, focusing on meaning-making through context and comprehension. Striking the right balance between these two approaches remains a perpetual challenge for educators.

#### **Technology and Digital Literacy:**

In the 21st century, the integration of technology in education has introduced new dimensions to the teaching of reading. While digital tools offer interactive and engaging resources, they also present challenges in terms of screen time, attention spans, and the potential distraction of multimedia elements. Navigating the digital landscape requires educators to adapt their pedagogical strategies and equip students with the skills to critically assess online information.



### **Reading Comprehension:**

Teaching reading goes beyond mere decoding skills; it involves cultivating reading comprehension. Comprehension is the ability to understand and interpret written text, requiring higher-order thinking skills. Educators must grapple with designing effective strategies to teach comprehension, including explicit instruction, question-based approaches, and fostering a love for reading that extends beyond surface-level understanding.

### **Socioeconomic Factors:**

Socioeconomic factors play a significant role in the literacy development of students. Children from disadvantaged backgrounds may face limited access to books, fewer language-rich environments, and inadequate support for their literacy development. Bridging this gap demands a comprehensive and equitable approach that considers the broader societal context in which learning takes place.

### **Conclusion:**

Teaching reading is undoubtedly a pedagogical problem that requires continual exploration and adaptation. The dynamic interplay of diverse learners, instructional approaches, technological advancements, comprehension goals, and societal factors adds layers of complexity to this essential educational endeavor. By acknowledging and addressing these challenges, educators can work towards creating inclusive, effective, and responsive reading instruction that equips students with the literacy skills necessary for success in an ever-evolving world.

### **Bibliography:**

1. Adams, M. J. (1990). *Beginning to Read: Thinking and Learning about Print*. MIT Press.
2. National Reading Panel. (2000). *Teaching Children to Read: An Evidence-Based Assessment of the Scientific Research Literature on Reading and Its Implications for Reading Instruction*. National Institute of Child Health and Human Development.
3. Ehri, L. C. (2014). Orthographic mapping in the acquisition of sight word reading, spelling memory, and vocabulary learning. *Scientific Studies of Reading*, 18(1), 5-21.
4. Snow, C. E., & Juel, C. (2005). *Teaching Children to Read: What Do We Know about How to Do It?* National Academy Press.

5. Moats, L. C. (1999). Teaching Reading Is Rocket Science: What Expert Teachers of Reading Should Know and Be Able to Do. American Federation of Teachers.

6. Prensky, M. (2001). Digital Natives, Digital Immigrants. On the Horizon, 9(5), 1-6.

7. Allington, R. L. (2002). What I've Learned about Effective Reading Instruction from a Decade of Studying Exemplary Elementary Classroom Teachers. Phi Delta Kappan, 83(10), 740-747.

8. Duke, N. K., & Pearson, P. D. (2002). Effective Practices for Developing Reading Comprehension. In What Research Has to Say About Reading Instruction (3rd ed.). International Reading Association.

9. Baker, L., & Scher, D. (2002). Beginning Readers' Motivation for Reading in Relation to Parental Beliefs and Home Reading Experiences. Reading Psychology, 23(4), 239-269.

10. Nell, V. (1999). Lost in a Book: The Psychology of Reading for Pleasure. Yale University Press.

---

# Research Science and Innovation House



## CONTENT, FUNCTION AND TYPES OF PRICE

**Khalikova Lola Nazarovna-Associate Professor, Candidate of Economic  
Sciences,**

**Samarkand Institute of Economics and Service.**

**Contact number; +998902501355**

**Ziyodova Raykhona Jasur kizi-Samarkand Institute of Economics and  
Service, student of group IK-423.**

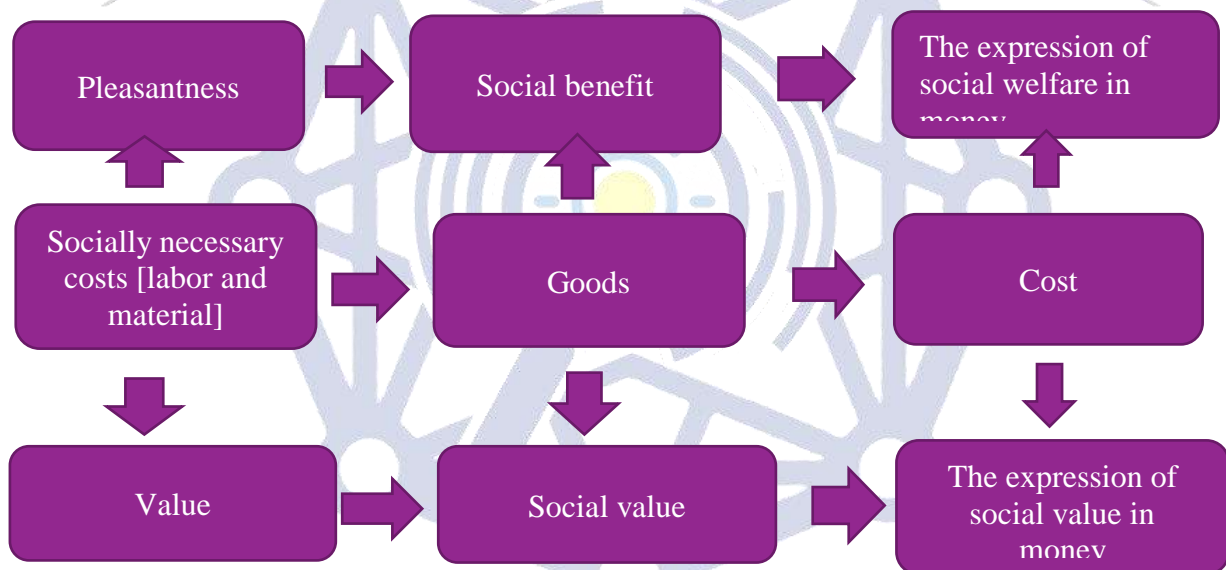
**Contact number; +998933114501**

**Abstract;** This article provides complete information about the meaning of pricing, functions of pricing, types of pricing, and factors affecting the level of pricing.

**Key words;** Price, market price, wholesale price, contract price, retail price, marginal price, dumping price, subsidized price, authoritative price, price ratio, price range, function of price to ensure equilibrium, function of price to measure value and utility, price range, price to regulate price function, social protection function of price .

The value of goods and their utility find their expression in the price. In practical life, value acts as a motivating force for producers, and utility as a motivating force for consumers. Labor costs for individual goods are different, some of them are fully recognized as social labor costs, others are partially recognized, and the third may not be recognized at all. It is evident from this that it is a mistake to think of the prevailing market prices as labor costs or value itself. Because it is affected by factors other than labor costs, and as a result, the price may be lower or higher than the value. In particular, the market price of a commodity may fluctuate under the influence of changing supply and demand and may differ from its value in one direction or another. Competition affects the value-price ratio, as does supply and demand. It should be noted here that when buying a product, the buyer takes into account not only how much it costs, but also how well the consumer characteristics of this product suit his needs and tastes, and how useful it is in general. The purchase of a commodity means recognition of its usefulness for society and at the same time its social value, not for an individual. Therefore, the very concept of "social usefulness" indicates that a product [service] is useful for

society and has value. Based on these considerations, it can be said that the price is not only one of value or utility, but the simultaneous existence of both and their certain amount in the form of money. If the two characteristics of the commodity are not recognized at once, and if it is not expressed in money, the sale will not take place. Because the seller's interest lies in the value side of the commodity, and the buyer's interest lies in the utility [use value] side. While the owner of the commodity seeks to absorb the value in money form that can cover the costs of producing the commodity and to a certain extent ensure the greatest possible profit, the buyer tries to obtain as much profit as possible for each unit of his money spent. At the point where their interests coincide, the price is set, and exchange of goods and money takes place.

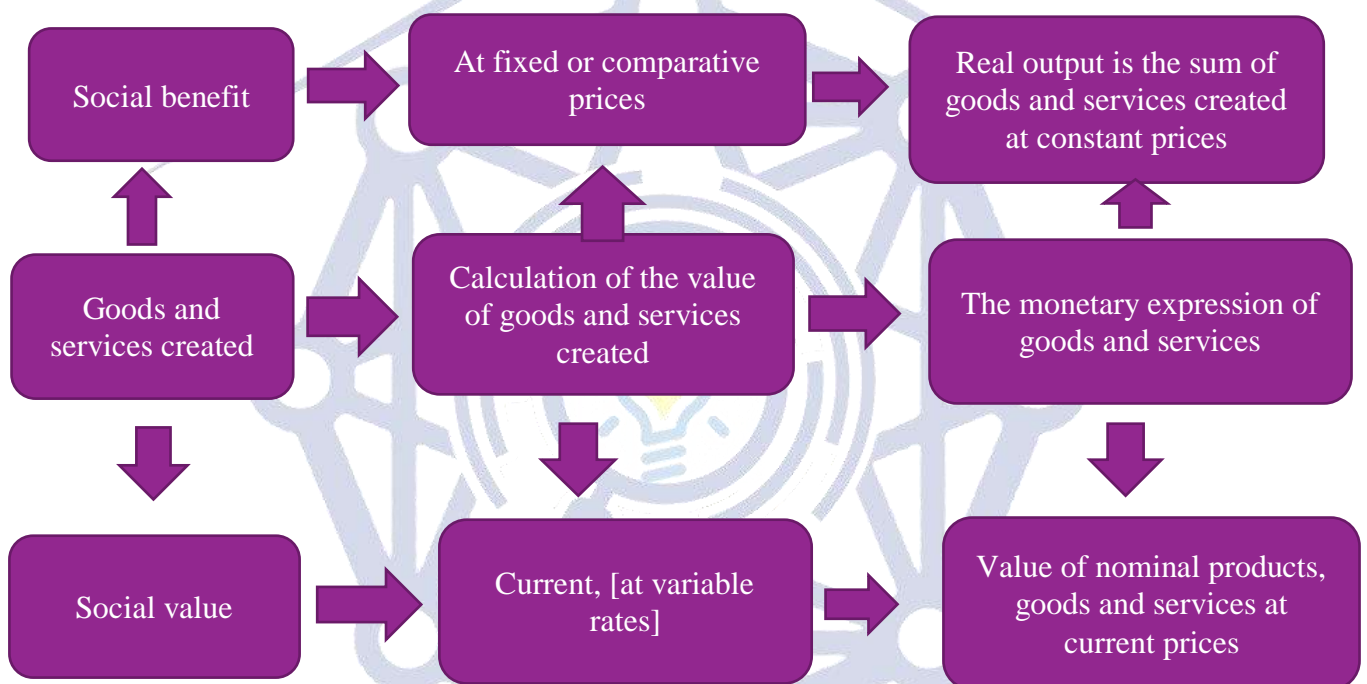


**Price is the monetary expression of two different characteristics of a commodity**

It can be concluded from this picture that **the price is the monetary expression of the social value and social usefulness of goods and services in the conditions of a real market economy.** It should be noted here that the price is not the individual costs of individual producers, or the psychological assessment of individual individuals, but the social costs recognized by society and created and recognized in the quantity and quality necessary for society, the obtained social benefit [use value] finds its expression. A reasonable increase in social spending on goods and services or an increase in the quality of goods and services leads to an



increase in the price of these goods. For example, an increase in horse power, interior, steering system and speed changes in a car's engine will cause its price to increase. Because at the same time with these changes, the expenses spent on it will also increase. Changes in prices as a result of such bilateral changes are characteristic of all goods and services. Price, as a monetary expression of two characteristics of goods and services, changes as a result of their change. Therefore, in real life, two different characteristic changes in different goods and services are taken into account at two different prices when determining their volume.



### The use of prices representing two different characteristics of the product in the calculation of the volume of the product.

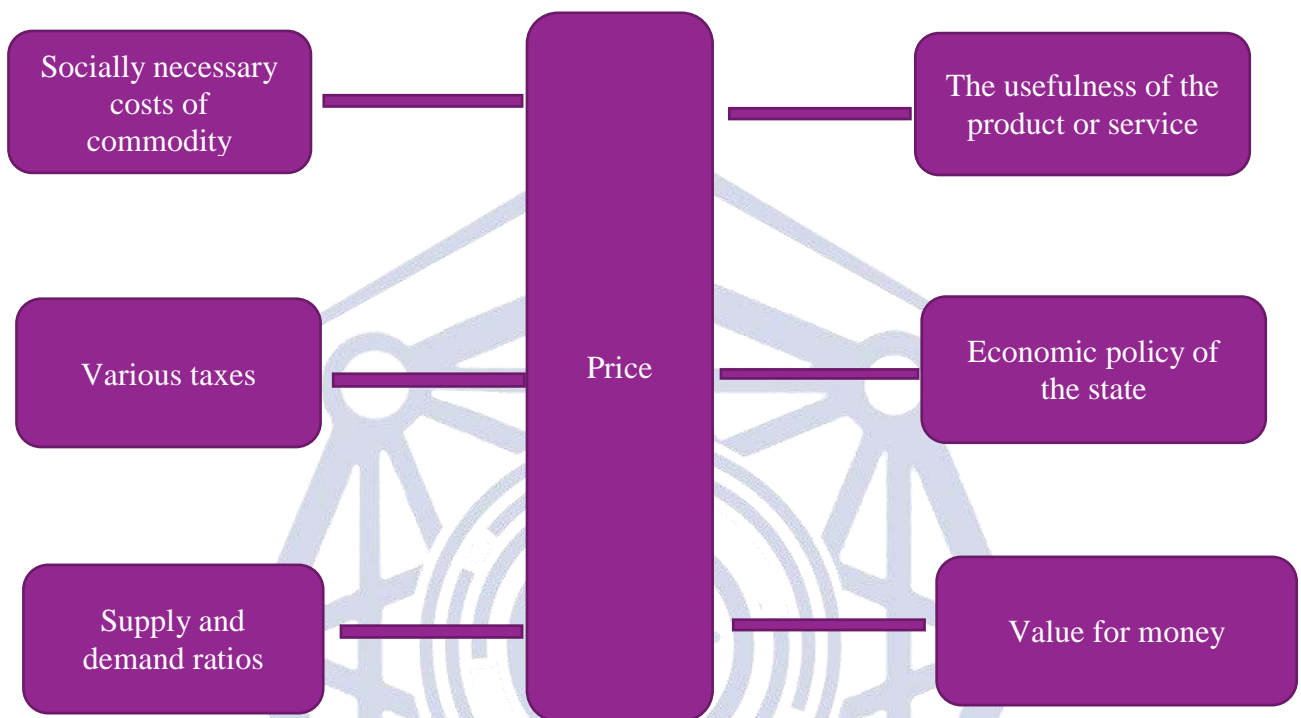
The economic content of the price becomes clear when its functions are considered. The price performs the following main functions; **The task of ensuring balance.** In this case, the price brings the market into equilibrium by affecting the size and composition of supply and demand. The market price is a balanced price, which, firstly, ensures the sale of goods, and secondly, does not create a shortage of goods in the market. **The task of measuring value and usefulness.** We call price the monetary expression of value and utility, because the costs incurred and the results obtained [profit or loss] are calculated on the basis of prices. There are also natural indicators of production and its results [ tons, kg, m<sup>2</sup>, kWh...]. It is not

possible to compare these indicators in this way and bring them to a general indicator. The common measure of all natural indicators is their price expressed in money. Current and comparative prices are used for the calculation. Current prices are current prices and are used to calculate production results for the year. In comparative prices, based on a certain year [base year], the results of production are calculated at this price and compared with other years. The dynamics of gross national product, national income, real wages and similar indicators are calculated in comparative prices. Because current prices may change due to inflation and other factors and may not reflect real economic results. **Regulatory duty.** The market situation [conjuncture] depends on supply and demand and their ratio. An increase in demand means the expansion of the production of a certain product, and in the opposite case, there is a surplus of the product, and it is necessary to reduce its production. Price affects the activity of producers of goods through their income. If the price is high, the profit will increase, if the price falls, the profit will decrease, and the producers may even suffer a loss. This has a strong impact on the activities of manufacturers. If the price increases, production will increase. Other capitals will also begin to flow into industries and sectors where profits are high. So, the price regulates production, changes it and ensures its development. **The task of a competitive tool.** Price is the most important tool of competition. Manufacturers can use price reduction method to beat their competitors. Therefore, the price adjustment method is widely used in competition. **Social protection task.** The price also serves the function of social protection of certain low-income segments of the population. This price function is fulfilled when goods and services are sold at socially subsidized prices. They are financially supported by the state budget and various donations. At the stage of transition to the market economy, prices that serve as social protection are also used in order to provide a minimum level of vital consumer goods to the vast population. The difference between their subsidized and actual prices is covered by budget funds. Thus, the price as a tool of market relations performs important tasks that are inextricably linked with each other.

In order to fully understand the content of the price, it is important to know the factors affecting its level. The main ones are cost or production costs; the level of profitability of the goods; the supply and demand ratio for this commodity; competitive situation; economic policy of the state and others are considered.



Among these factors, the value and utility of the commodity serves as the basis for determining its price.



### Factors affecting the price level.

In addition, the diversity of production and sales conditions in various sectors and sectors of the economy, as well as differences in the level of development of market relations, make it necessary to differentiate price types. All types of prices operating in the economy make up the price system. Of these;

**Wholesale price - the price applied by manufacturers when selling large quantities of goods at once.** Wholesale prices must cover the costs of manufacturers and supply-sales organizations and ensure that they receive a certain amount of profit. The wholesale price is also used in commodity exchanges and trading houses.

**The contract price is the price determined by the consent of the seller and the buyer, recorded in the contract concluded by them.** The contract price usually does not change during the contract period. This price applies to both national and international markets. When it is used in the international market, the goods are close to the world prices of services.

**Retail price is the price at which goods are sold directly to consumers.** The retail price includes the wholesale price of goods, costs of retail organizations and

their profit. The retail price acts as a link between supply and demand for goods and can be high or low depending on their ratio.

The government's price regulation activities create limited and subsidized prices. **A limited price is a price that can be changed within the upper and lower limits set by the government.** With the help of such a price, the state curbs inflation and controls the price level.

**A subsidized price is a specially reduced price from the state budget.** This price is used to provide the minimum basic necessities of life to low-income families, widows, the unemployed, and the disabled.

**Dumping price is a special price used by firms in order to strengthen their position in the market and squeeze their competitors out of the market.** It is also called "market penetration cost". The dumping price is a fraction of the official price.

**The dominant price is a special price used by firms to achieve higher profits without changing the volume of sales.** In order to apply this price, competition in the market is limited and a monopoly situation must exist. In this situation, the demand will not depend on the price, so the price increase will not drastically reduce the sales of the product. In addition, there are prestigious goods that are purchased by the high-income segment of the population, which are sold at prestigious prices. In developed countries, for the upper income class of the population, owning a country yard, vacationing at famous resorts, then wearing replica clothes, driving new models of cars is considered prestige or prestige consumption. High-quality consumption creates high-quality prices. They will be much higher than normal prices. In the application of authoritative prices, the costs of production of goods and the level of profitability, the demand in the market, its changes and the conditions of competition in the market are taken into account. Accordingly, a fixed price and a variable price, which do not change for a certain period, are used. There are goods that consumers prefer not to change. For example, utility service, transport service tariffs are included in such prices.

**A free market price** is a market price that is determined by supply and demand. The free price allows to harmonize the interests of all subjects of society and market relations in the most optimal way in creating cultured market conditions.

**A price range is a monetary representation of a price range.** The price range includes low, medium and high prices. The higher the price range, the faster the commodity trades, because demand and price are correlated.



Considering the market size; regional, national and international prices will be available. Regional price is specific only to a certain regional market, and it is formed under the influence of factors within this region. A national market price is a price that is valid within a country and reflects its characteristics. The world market price takes into account the international costs spent on the production of a particular commodity, the level of compliance of the commodity with the world standard and the ratio of supply and demand in the international market.

Although there are different types of price, they are interconnected, because they reflect the effectiveness of the use of economic resources in society.

1. **Resource Allocation:** Prices play a vital role in allocating scarce resources. When resources are limited, prices help determine how they are distributed among different uses and ensure that they are directed towards the most valued and efficient purposes.

2. **Supply and Demand Coordination:** Prices act as signals to producers and consumers, adjusting in response to changes in supply and demand. When demand exceeds supply, prices rise, signaling producers to increase output. Conversely, when supply exceeds demand, prices fall, indicating producers to decrease production. This coordination helps maintain equilibrium and avoid shortages or surpluses.

3. **Efficiency:** Prices contribute to economic efficiency by reflecting the relative scarcity and value of goods and services. Higher prices indicate greater scarcity, incentivizing consumers to make more informed choices about their purchases. Producers, on the other hand, are motivated to allocate resources efficiently and produce goods and services that are in demand at profitable prices.

4. **Information Transmission:** Prices convey valuable information about market conditions, preferences, and costs. They encapsulate the collective knowledge and preferences of buyers and sellers. Investors, entrepreneurs, and policymakers rely on price signals to make informed decisions and allocate resources effectively.

5. **Competition and Innovation:** Prices play a crucial role in fostering competition and encouraging innovation. In competitive markets, prices reflect the costs of production and the level of competition. Low prices

may incentivize producers to innovate, improve efficiency, and lower costs to maintain profitability.

6. **Income Distribution:** Prices also impact income distribution. Different goods and services have varying price levels, and individuals' ability to pay those prices is influenced by their income levels. As a result, price changes can affect the purchasing power and standard of living of different income groups.

In conclusion, prices are a fundamental mechanism in the economy that facilitate resource allocation, coordinate supply and demand, promote efficiency, transmit information, foster competition and innovation, and influence income distribution. The interplay of prices and market forces is essential for the functioning of market economies and has a profound impact on the overall economic system.

#### References;

1. SH. Shodmonov. Iqtisodiyot nazariyasi;Darslik. –“LESSON PRESS” nashriyoti, 2021. Narx va uning mohiyati, page 260-277.
2. I.N.Xalikova.” Iqtisodiy ta’limotlar tarxi”. Darslik.-Samarqand; SamDU nashriyoti,2023.-310b
3. R.Alimov.Iqtisodiyot nazariyasi;Darslik.2002. Narx va Raqobat,page 158-164.
4. E-book pricing trilogy.Product pricing primer.

---

# Research Science and Innovation House



## ПОВЫШЕНИЕ КАЧЕСТВА ОБУЧЕНИЯ В ТЕХНИКУМАХ: НАПРАВЛЕНИЯ И МЕТОДЫ ОБУЧЕНИЯ РЕМОНТУ ВАГОНОВ

**Хасанова Марта Ахмедовна**

Преподаватель специального предмета Ташкентский железнодорожный  
техникум

**Мирзаханова Мехрибон Марат кизи**

Магистр Ташкентского государственного транспортного университета  
строительство зданий и сооружений

**Аннотация:** В данной статье рассматривается многогранная сфера обучения ремонту вагонов в техникумах, исследуются различные направления и методики преподавания, направленные на оснащение студентов необходимыми навыками и знаниями для успешной карьеры в этой области. Изучая различные подходы, используемые в обучении ремонту вагонов, это исследование направлено на то, чтобы пролить свет на эффективные стратегии, которые улучшают результаты обучения и готовят студентов к реальным задачам железнодорожной отрасли.

**Ключевые слова:** Ремонт вагонов, Техникумы, Профессиональное образование, Методика обучения, Практика, Железнодорожная отрасль.

## ENHANCING LEARNING IN TECHNICAL SCHOOLS: DIRECTIONS AND TEACHING METHODS FOR WAGON REPAIR EDUCATION

**Abstract:** This article delves into the multifaceted realm of wagon repair education within technical schools, exploring various directions and teaching methodologies aimed at equipping students with the necessary skills and knowledge for successful careers in the field. By examining the diverse approaches employed in wagon repair instruction, this study aims to shed light on effective strategies that enhance learning outcomes and prepare students for real-world challenges in the railway industry.

**Keywords:** Wagon repair, Technical schools, Vocational education, Teaching methods, Practical training, Railway industry.

### **Введение:**

Техникумы играют жизненно важную роль в подготовке студентов к карьере в различных отраслях, включая транспорт и машиностроение. В этой области обучение ремонту вагонов имеет особое значение, поскольку оно дает студентам навыки и знания, необходимые для обслуживания и ремонта железнодорожных транспортных средств — важнейшего компонента транспортной инфраструктуры. В последние годы все большее внимание уделяется повышению результатов обучения в техникумах, которые предлагают обучение ремонту вагонов. В данной статье исследуются направления и методы обучения, направленные на повышение качества и эффективности обучения ремонту вагонов в техникумах.

### **Важность образования в области ремонта вагонов**

Техническое обслуживание и ремонт железнодорожных вагонов являются важными задачами в обеспечении безопасной и эффективной работы систем железнодорожного транспорта. Надлежащее обучение ремонту вагонов имеет решающее значение для решения механических проблем, обеспечения соблюдения правил безопасности и сведения к минимуму простоев и сбоев в работе. Таким образом, техникумы играют ключевую роль в предоставлении учащимся практических навыков и теоретических знаний, необходимых для достижения успеха в этой области.

### **Проблемы и возможности в образовании по ремонту вагонов**

Хотя обучение ремонту вагонов необходимо, оно также сопряжено с рядом проблем. Сложность современных железнодорожных систем, развивающиеся технологии и потребность в специализированных навыках создают препятствия для эффективного образования и обучения (Durst et al., 2017). Кроме того, быстрые темпы технологического прогресса требуют от преподавателей постоянно обновлять свои учебные программы и методы обучения, чтобы идти в ногу с развитием отрасли.

Однако эти проблемы также открывают возможности для инноваций и улучшений. Применяя новые подходы к обучению, используя технологии и способствуя партнерству с промышленностью, технические школы могут



повысить качество и актуальность образования по ремонту вагонов. Кроме того, интеграция практического обучения, реальных проектов и отраслевых стажировок может предоставить студентам практический опыт и лучше подготовить их к требованиям рабочей силы (Kang & Lee, 2020).

## МАТЕРИАЛЫ И МЕТОДЫ

Техникумы служат важнейшими учреждениями для подготовки студентов к карьере в различных отраслях, включая транспорт и машиностроение. Обучение ремонту вагонов в этих учреждениях имеет первостепенное значение, поскольку оно дает студентам необходимые навыки и знания для обслуживания и ремонта железнодорожных транспортных средств, которые являются неотъемлемой частью транспортной инфраструктуры. В этой основной части мы углубимся в направления и методы обучения, направленные на повышение качества и эффективности обучения ремонту вагонов в техникумах.

### 1. Разработка учебных программ и согласование отрасли:

Одним из важнейших аспектов повышения качества образования в области ремонта вагонов является приведение учебной программы в соответствие с отраслевыми стандартами и требованиями. Это предполагает тесное сотрудничество с заинтересованными сторонами отрасли для выявления текущих тенденций, технологических достижений и требований к навыкам ремонта вагонов. Включив в учебную программу отраслевой контент, техникумы могут гарантировать, что учащиеся получают самые современные знания и навыки, необходимые для достижения успеха в этой области (Rothwell et al., 2016).

### 2. Практическое обучение и практический опыт:

Практическое обучение незаменимо при обучении ремонту вагонов, поскольку оно позволяет студентам применять теоретические знания в реальных ситуациях. Техникумы должны предоставлять учащимся широкие возможности для участия в практических занятиях, семинарах и лабораторных занятиях, где они могут ознакомиться с инструментами, оборудованием и технологиями ремонта вагонов. Более того, стажировки и трудоустройство в промышленности дают студентам ценный практический опыт и знакомство с реальной рабочей средой, облегчая переход от обучения в классе к профессиональной практике (Gillet & Reid, 2020).

### 3. Использование технологий моделирования и виртуальной реальности:

Технологии моделирования и виртуальной реальности (VR) стали мощными инструментами улучшения результатов обучения в техническом образовании. Моделируя различные сценарии и условия ремонта, эти технологии позволяют студентам практиковать свои навыки в безопасной и контролируемой обстановке. Учебные модули на основе виртуальной реальности могут обеспечить захватывающий опыт обучения, позволяя учащимся взаимодействовать с виртуальными вагонами и компонентами, диагностировать неисправности и выполнять ремонт (Chandra et al., 2019). Интеграция технологий моделирования и виртуальной реальности в обучение ремонту вагонов может дополнить традиционные методы обучения и улучшить понимание и запоминание студентами сложных концепций.

### 4. Обучение на основе проектов и совместная деятельность:

Обучение на основе проектов (PBL) и совместная деятельность предлагают учащимся возможность работать над реальными проектами и участвовать в деятельности по решению проблем. Решая реальные задачи и работая совместно со сверстниками, учащиеся могут развивать навыки критического мышления, общения и работы в команде — все это важно для успеха в области ремонта вагонов (Voss et al., 2013). Техникумы должны включать в свою учебную программу проектные задания, групповые проекты и тематические исследования, чтобы способствовать активному обучению и способствовать более глубокому пониманию концепций и принципов ремонта вагонов.

## ЗАКЛЮЧЕНИЕ

В заключение, улучшение результатов обучения в сфере ремонта вагонов требует многогранного подхода, который включает разработку учебных программ, практическое обучение, интеграцию технологий и совместную учебную деятельность. Приводя учебную программу в соответствие с отраслевыми стандартами, предоставляя возможности практического обучения, используя технологии моделирования и виртуальной реальности, а также продвигая обучение на основе проектов, техникумы могут гарантировать, что учащиеся хорошо подготовлены к удовлетворению потребностей отрасли ремонта вагонов и эффективно вносят свой вклад в транспортный сектор.



### Использованная литература:

1. Durst, C., Falter, S., & Heid, M. (2017). Simulation-based learning in railway engineering: A review of recent literature. *European Transport Research Review*, 9(3), 41. <https://doi.org/10.1007/s12544-017-0260-8>
2. Kang, J., & Lee, K. (2020). Developing a hands-on railway system for education and training. *International Journal of Engineering Education*, 36(1), 126-134.
3. Liao, P., & Su, C. (2018). Enhancing engineering education with virtual and augmented reality: A case study of Wagon Repair Education. In *Proceedings of the 2018 International Conference on Education Technology Management* (pp. 176-180). Atlantis Press. <https://doi.org/10.2991/etm-18.2018.37>
4. Chandra, C., Hattangadi, S., & Shukla, S. (2019). Augmented reality: A new teaching pedagogy in engineering education. *International Journal of Engineering and Advanced Technology*, 8(6), 2964-2970.
5. Gillet, D., & Reid, A. (2020). Internship programs in engineering education: A review of current literature. *Journal of Engineering Education Research*, 23(4), 431-448.
6. Rothwell, W. J., Stavrou, A., & Sullivan, R. L. (2016). Aligning education with workforce needs: Lessons from employer engagement in education and workforce development initiatives. *International Journal of Training Research*, 14(1), 1-18.
7. Voss, J. L., Wiley, J., & Gruber, H. (2013). The problem-solving expert: Strategies and models. *Journal of Experimental Psychology: General*, 142(2), 668-692.

Research Science and  
Innovation House

## Этапы обучения дошкольников письму

Джизакский государственный педагогический университет  
преподаватель кафедры дистанционного образования по заочному  
отделению, дошкольному и начальному направлениям  
Г.З. Эшбекова

**Аннотация:** В данной статье представлена информация об этапах обучения письму детей дошкольного возраста 6-7 лет, даны описания педагогам и родителям дошкольной образовательной организации, а также даны рекомендации по выполнению заданий при обучении письму.

**Ключевые слова:** дошкольный возраст, образование, междометия, письменные упражнения, ребёнок, методы, мышцы рук, знания, умения, навыки.

**Введение.** В современном обществе развитие творческой активности, повышение грамотности детей с дошкольного возраста является актуальной задачей системы образования. Потому что после школьное образование также очень сложное, то есть оно отличается от всего плана обучения несколько лет назад. Наше время перемен. В наше время нам нужны люди, способные принимать нестандартные решения, обладающие творческим мышлением. С сегодняшнего дня необходимо открывать для себя людей с интеллектуальным потенциалом. Навыки письма, наиболее необходимые личности ребёнка, формируются именно в возрасте 5-6 лет. Обучение письму-многоэтапный процесс. Обучение письму-это, прежде всего, формирование графических навыков. Каждая квалификация также создаётся в результате обучения, формирования навыков и выполнения серии упражнений на этой основе.

**АНАЛИЗ ЛИТЕРАТУРЫ.** Работа по обучению письму исследовалась многими зарубежными учёными. Во всех презентациях были учтены этапы практики, в которых учитывалось любопытство детей. Самостоятельная работа, выполняемая в процессе обучения письму, может включать в себя такие упражнения, как рисование формы разных предметов, расстановка точек, нацеленных на один и тот же интервал, нанесение прямых линий на кровать, написание отдельных элементов букв, подготовка к ответам на



вопросы по картинке, составление предложения по картинке.<sup>1</sup> А в алфавитный период изучается организация различных аналитик-синтетических работ с помощью наборного картона и счетов, беседа на основе рисунка, повторение вслух. Обучение письму в процессе, однако, большой палец ребёнка постепенно с возрастающей скоростью соединяется со средним, безымянным и мизинцем поочерёдно в кольцо. Делать это нужно также в прямом порядке - от указательного пальца к мизинцу и в обратном порядке. Сначала по отдельности каждой рукой, затем вместе. Обучение грамоте ведётся по аналитико-синтетическому звуковому методу. Первоначально этот метод был разработан педагогом.<sup>2</sup> К.Д, Ушинским. Учёные считают, что ребёнку нужно просто дать карандаш и попросить его нарисовать буквы. Обсуждая, из каких элементов состоит буква, необходимо научить ее запоминать все - палочку, полукруг. Сначала их можно нарисовать по отдельности, потом желательно научить пытаться их соединять. Сначала он выходит неправильным и кривым, но нужно терпеливо наблюдать. За любые старания детей следует хвалить и отмечать самые успешные. Лучше всего научиться писать карандашом - это поможет ребёнку не бояться ошибок. Чтобы научить ребёнка писать слова, важно помочь ему сориентироваться на листе. Необходимо предложить нарисовать что-то на разных частях бумаги, например, в верхнем среднем, правом нижнем углу или центре. Как только дети освоятся с инструкциями, следует перейти к понятию линий. Вам нужно нарисовать несколько линий с большим интервалом и оставить линию на одной из них, а затем предложить нарисовать что-нибудь над линией, под линией, вдоль линии вниз, две линии вверх. Исследуя письмо как один из важнейших видов графической деятельности, М.М.Безруков<sup>3</sup> отмечает: "письмо имеет сложную психофизиологическую структуру, включающую артикуляционный и слуховой анализ, пространственное восприятие, зрительную память и механизмы зрительного контроля, координацию движений рук и управления движением, перцептивную регуляцию и комплекс языковых способностей (способность различать звуки, звук-буквенный анализ и др.)."

<sup>1</sup> . Т. G'afforova, E. Shodmonov, G. Eshturdiyeva. Alifbe (Savod). - Т.: „O'qituvchi", 1999

<sup>2</sup> К.Д.Ушинский

<sup>3</sup> М.М.Безруков: "Yozuv murakkab psixofiziologik tuzilishi"

После этого этапа не забывайте переходить к написанию буквы и обсуждать с ребёнком, из каких элементов она состоит и где они связаны то же самое следует сделать при обсуждении соединения букв . Используя примеры написания слов, вы можете использовать яркие точки, чтобы проиллюстрировать важные моменты. Затем следует выделить лучшие буквы, уделив особое внимание ребёнку. Важно внимательно следить за его прогрессом, помогать и поощрять его. После тренировки обязательно обсудите: легко или сложно? Что сработало хорошо? Что ты думаешь? Что еще мы должны практиковать? Это помогает опекуну оценивать прогресс. Чтобы дошкольник усвоил формы букв и не устал, достаточно нескольких занятий по 15 минут в день. Если мы сможем сделать занятия интересными, она может захотеть, чтобы дети проводили больше времени за письмом.

**Заключение** именно дошкольнику важно не забыть показать, Как правильно держать карандаш и сидеть. Необходимо организовать учебную зону так, чтобы ребёнку было комфортно, учесть, что на столе достаточно места и обеспечить попадание света с правой стороны. Наглядные пособия также имеют большое значение при обучении письму в первый раз. Наглядные пособия включают «садись прямо!» плакаты, картонные изображения печатных форм букв, таблички, печатные формы, взятые из рук воспитанников. При обучении формированию письменной формы буквы необходимо указывать ее печатную форму и объяснять ее отличительные черты. Хорошо подобранные и умело применяемые в процессе обучения наглядные пособия повышают качество и эффективность урока.

### СПИСОК ИСПОЛЬЗОВАННОЙ ЛИТЕРАТУРЫ

1. T.G'afforova, X. G'ulomova. G. Eshturdiyeva. 1-sinfda savod o'rgatish darslari. - T.: „O'qituvchi, 1996.
2. T. G'afforova, E. Shodmonov, X. G'ulomova. Ona tili (1 -sinf uchun darslik).T.,„Sharq“, 2005.
- 3.T. G'afforova, E.Shodmonov, G. Eshturdiyeva. Alifbe (Savod). - T.: „O'qituvchi“, 1999.
4. Eshbekova Gulabahor Maktabgacha yoshdagi bolalarning yozish ko'nikmalarini shakllantirish muammolari .SCIENCEPROBLEMS.UZ ИЖТИМОИЙ-ГУМАНИТАР ФАНЛАРНИНГ ДОЛЗАРБ МУАММОЛАРИ № 12/2 (3)-202



5. Bezrukix, M.M. Yozishni o‘rganishda qiyinchiliklarga duch kelgan bolalar bilan mashg‘ulotlar uchun mashqlar / M.M. Bezrukix, S.P. Efimov. - M.: Auris, Iceberg nashriyoti, 1991
6. Eshbekova Gulabahor Maktabgacha yoshdagi bolalarning yozish ko‘nikmalarini shakllantirish muammolari .SCIENCEPROBLEMS.UZ ИЖТИМОИЙ-ГУМАНИТАР ФАНЛАРНИНГ ДОЛЗАРЪ МУАММОЛАРИ № 12/2 (3)-202



Research Science and  
Innovation House



## Use of folk art to increase students' activity in the educational process

Usarova Marguba Nazar kizi. Doctoral student of Karshi State  
University. E-mail [margubahumoyun@gmail.com](mailto:margubahumoyun@gmail.com). Nomer 93.3959194

**Abstract:** This article provides information about the use of folklore to increase the activity of students in the educational process and the integration of folklore into education is a powerful tool for increasing the activity and interest of students in learning.

**Key words:** folklore, traditional beliefs, customs, fairy tales, education, integration.

**Аннотация:** В данной статье представлена информация об использовании фольклора для повышения активности учащихся в учебном процессе, а интеграция фольклора в образование является мощным инструментом повышения активности и заинтересованности учащихся в учебе.

**Ключевые слова:** фольклор, традиционные верования, обычаи, сказки, образование, интеграция.

### **Introduction:**

The oral creativity of the people appeared much earlier than the written literature and prepared the ground for the creation of the written literature. It clearly reflects their faith, their visions of truth, justice, peace and happiness. Artistic works created by folk poets or the community and passed down from mouth to mouth, from generation to generation, are called folk oral works. Folk art is also known as folklore. The folk art includes the following genres: song, proverb, proverb, riddle, myth, story, myth, fairy tale, anecdote, lof, lapar, terms, epic, askiya, fast. say, parable, alla, yor-yorar, greetings from the bride, etc.

Folklore, traditional beliefs, traditions, and fairy tales provide a wealth of opportunities for enlivening and enriching the rich educational process passed down from generation to generation. Incorporating folklore into the curriculum is emerging as an important strategy as educators seek innovative and engaging ways to engage students and encourage active participation in learning. Teachers can draw on folklore's engaging storytelling, cultural relevance, and multidisciplinary nature to spark students' imaginations, deepen their understanding of different cultures, and



foster creativity across the curriculum. This article explores the changing possibilities of integrating folklore into educational settings, shedding light on how this age-old tradition can enliven the learning experience and inspire students to become active, motivated participants in their education.

### **Materials and Methods:**

Integrating folklore into education can be a powerful tool in increasing students' activity and interest in learning.

1. Cultural significance: Folklore is deeply rooted in cultural traditions and heritage. By incorporating folklore into lessons, teachers can tap into students' existing knowledge and cultural backgrounds, making the learning experience more relevant and meaningful.

2. Fascinating stories: Folklore often contains compelling and timeless stories such as myths, legends, and fairy tales. These stories can serve as an engaging teaching tool to engage students' imaginations and instill a love of storytelling and literature.

3. Multidisciplinary approach: Folklore encompasses a wide range of disciplines, including history, language arts, social studies, and even science. By integrating folklore into different subjects, teachers can create multidisciplinary learning experiences that stimulate students' curiosity and critical thinking skills.

4. Connection with history and traditions: Folklore shows the historical and traditional aspects of society. Through the study of folk tales, music, dance and customs, students gain a deeper understanding of their cultural heritage and the world around them.

5. Encourage creativity: Studying folklore encourages students to engage in creative activities such as storytelling, visual arts, music, and drama. This can stimulate their creativity and self-expression, leading to a more active and dynamic learning environment.

### **Results and Discussions.**

The use of folklore in the educational process has a great effect on increasing the interest of students and their learning experience. In order to increase the activity and activity of students, there are several ways to integrate folk art into educational institutions:

1. Development of cultural understanding:

Folklore serves as a mirror to the cultural heritage of different societies. By incorporating folk tales, myths, legends, traditional music and dance into the curriculum, teachers can expose students to different worldviews and belief systems. This exposure not only encourages empathy and respect for cultural diversity, but also fosters curiosity and active engagement with the material in students.

2. Development of critical thinking and analysis:

Folklore often presents complex moral dilemmas, archetypal characters, and timeless themes. Teachers can use these stories to encourage students to think critically and analyze the underlying messages and social values embedded in these stories. By participating in discussions and activities related to folklore, students can develop analytical skills, express their interpretations and views.

3. Inspire creativity and imagination:

Folklore is a source of creativity and a rich source of inspiration for artistic expression, storytelling, and creative writing. By studying folk tales, students can create their own stories, poems, or works of art inspired by themes and motifs found in traditional folklore. This not only encourages active participation, but also develops students' creativity and imagination.

4. Interdisciplinary education:

Folklore is inherently interdisciplinary and includes history, literature, anthropology, sociology, and others. Integrating folklore into the curriculum allows students to connect the dots across a variety of topics, helping them gain a holistic understanding of the cultural, historical, and social contexts in which folklore originated.

5. Engaging experiential learning:

Folklore can be brought to life through experiential learning activities such as reviving traditional ceremonies, participating in folk music and dance master classes, or visiting cultural heritage sites. These hands-on experiences not only immerse students in the living tapestry of folklore, but encourage active participation and deeper connection to the subject.

6. Encourage personal thought and expression:

Folklore often addresses universal themes and experiences, giving students a platform to reflect on their own identities, values, and beliefs. By engaging in folk art, students can express their thoughts, feelings and personal understanding, develop a sense of ownership and active participation in educational trips.



Incorporating folklore into the curriculum provides a powerful opportunity to inspire students, develop cultural appreciation, and foster active participation in their own learning. By tapping into the richness of folklore, educators can foster a dynamic and inclusive learning environment that resonates with students of diverse backgrounds and learning styles.

### **Conclusion:**

When writing an article on this topic, consider studying specific examples of how teachers have successfully incorporated folklore into their lesson plans and the positive impact on student engagement and learning outcomes. In addition, solving the possible problems and practical methods of including folk art in the curriculum will provide valuable insights for pedagogues and scientists. It should be said that with the help of examples of folk art, students differ from each other in terms of character. Some of them act without thinking, under the influence of inclinations and random reasons. The main reason for this is that children of this age cannot control their behavior due to their youth, and it may come from a situation that is actively influenced by the outside. , methods are widely used, which are of great importance in the educational system due to their practicality, passed from generation to generation, tested in experience and viability. In this regard, we are talking about the methods and methods used in preparing young people for family life, the example of parents in raising children, the intellectual, moral, labor and craft, aesthetic and physical education of children in the family, folk wisdom, proverbs and sayings, stories, narratives, folk tales, epics. It is important to use the methods and methods used in the preparation of young people for family life.

### **References:**

1. K.Imomov, T.Mirzayev, B.Sarimsoqov, O.Safarov. O'zbek xalq og'zaki poetik ijodi. Tosh."O'qituvchi" 1990 y
- 2.M.J.Mutalipova Xalq pedagogikasi. – T.: “Fan va texnologiya”, 2015.
- 3.Munavvarov A.K. “Oila pedagogikasi”. – T.: O'qituvchi, 1994.
- 4.Hasanboyev J., Hasanboyev O., Homidov H. Pedagogika tarixi – T.: O'qituvchi,2014
- 5.Ijtimoiy pedogogika. N.Egamberdiyeva Toshkent-2018[2]
- 6.Oliy maktab Pedogogikasi M.Ochilov Toshkent-2018[3]
- 7.Matchanov.S, Bakiyeva.H, G'ulomova.X, Yo'ldoshev.Sh, Xolboyeva.G "Ona tili va uni o'qitish metodikasi " darslik "Ishonchli hamkor " Toshkent " 2021"

## O‘QISH DARSLARIDA AJDODLAR MEROSIDAN FOYDALANISH ASOSIDA O‘QUVCHILAR SAVODXONLIGINI OSHIRISH

Sanoyev G‘aybullo Abduraxmonovich  
Buxoro davlat universiteti tadqiqotchisi

**Annotatsiya.** maqolada boshlang‘ich sinf o‘qish darslarida ajdodlar merosini o‘rganish orqali o‘quvchilar savodxonligini oshirish, ularda ongli savodxonlikka ega bo‘lish ko‘nikmasini riojlantirish asosida milliy qadriyatlar va milliy merosimizga bo‘lgan hurmati va faxrlanish hissini tarkib toptirish, o‘qish fanidan o‘quvchilarning o‘qish savodxonligini baholash darajasi adabiy-nutqiy kompetensiyalar va badiiy asarni tahlil qilish kompetensiyalarni shakllantirishga oid tavsiyalar bayon etilgan.

**Kalit so‘z:** savodxonlik ko‘nikmasi, milliy dastur, kompetensiya, ta’lim-tarbiya, salohiyat, anglab o‘qish, ongli o‘qish, tafakkur, qadriyat.

**Аннотация.** В статье изложены рекомендации по повышению грамотности учащихся путем изучения наследия предков на уроках чтения начальных классов, формированию у них чувства уважения и гордости за национальные ценности и наше национальное наследие на основе развития у них умения приобретать осознанную грамотность, уровня оценки читательской грамотности учащихся по предмету чтение литературно-речевых компетенций и анализа художественного произведения.

**Ключевое слово:** навык грамотности, национальная программа, компетенция, образование, потенциал, осознанное чтение, осознанное чтение, мышление, ценность.

**Annotation.** the article describes the level of assessment of reading literacy of students in the subject of reading on the basis of improving literacy of students by studying the heritage of ancestors, ricolalizing the skills to have conscios literacy in them, content their respect for national values and our national heritage and a sense of pride, analysis of literary-speech competencies and

**Keyword:** literacy skills, national program, competence, education, capacity, understanding reading, conscios reading, thinking, value.

Jahon ta’limida ijtimoiy taraqqiyot qonuniyatlari, shaxs savodxonligi va madaniyatining yangilanishlari, ilm-fan sohasida ma’naviy-axloqiy mazmuni



yanada boyitishga oid fundamental va amaliy tadqiqotlar olib borilmoqda. Yoshlar ongiga yuksak ma'naviyat va insonparvarlik an'alariga sadoqat tuyg'usini chuqur singdirish, ularda mustahkam mafkuraviy immunitet va tanqidiy munosabatni shakllantirish, ilmiy savodxonlik darajasini rivojlantirish, milliy o'zlikni anglash va qadrlash tuyg'ularini qaror toptirish hamda ularning innovatsion usul hamda vositalarini optimallashtirish bugungi asosiy vazifalardan biri hisoblanadi.

Mamlakatimiz taraqqiyotining yangi bosqichida yosh avlodni har tomonlama bilimli va savodxon etib tarbiyalash, o'zbek xalqi qadriyatlariga, ajdodlarimiz merosidan foydalanishga asoslangan holda ularning tafakkuri, salohiyati, shaxsiy sifatlarini rivojlantirib borishga oid bir qator islohotlar amalga oshirilmoqda. “Bir haqiqatni barchamiz chuqur anglab olishimiz kerak: milliy tarixni xalqimiz, ayniqsa, yoshlarimizga milliy ruhda yetkazish, ularning qalbiga, shuuriga singdirish kerak. Aks holda uning ta'limiy va tarbiyaviy ta'siri bo'lmaydi. ... Biz yoshlarimizni tarixdan saboq olish, xulosa chiqarishga o'rgatishimiz, ularni ajdodlar merosi, hayot tarzi va ma'naviy g'oyalari bilan qurollantirishimiz zarur”<sup>1</sup>. Shu nuqtayi nazardan kichik maktab yoshidan boshlab, o'quvchilarga puxta bilim berish va ularning savodxonlik darajasini oshirishga yo'naltirilgan ilmiy izlanishlarimizni milliy o'zlikni anglagan holda tadqiq etish muhim ahamiyatga ega bo'lib bormoqda.

O'zbekiston Respublikasi Prezidenti Shavkat Mirziyoyevning O'zbekiston Mustaqilligining yigirma to'qqiz yilligiga bag'ishlangan tantanali marosimda so'zlagan nutqida: “Xalqimizning ulug'vor qudrati jo'sh urgan hozirgi zamonda O'zbekistonda yangi bir uyg'onish – Uchinchi Renessans davriga poydevor yaratilmoqda, desak, ayni haqiqat bo'ladi”, -degan fikrlari aynan bugungi islohotlar jarayoni markazida avvalo ta'lim-tarbiyadagi eng birinchi talab o'quvchi savodxonligini oshirishda buyuk ajdodlarimizning boy ilmiy meroslaridan samarali foydalanish zarurati paydo bo'ldi.

Yuqoridagi fikrlarga asoslangan holda kichik maktab yoshidan boshlab o'quvchilarga ajdodlar merosi – o'tmish moddiy-madaniy boyliklari, ajdodlardan avlodlarga yetib kelgan xalq og'zaki ijodi, yozma adabiyoti, san'ati, me'morlik, arxeologik va hokazo namunalari, pedagogik qarashlari va ma'naviy ta'limotidan maqsadli foydalanib puxta bilim berish, boshlang'ich sinf o'qish darslaridan boshlab

<sup>1</sup> Mirziyoyev Sh.M. Yangi O'zbekiston strategiyasi. – Toshkent: “O'zbekiston”, 2021. – B.288



ularning savodxonlik darajasini oshirish o'qituvchilar oldiga qo'yilgan ma'suliyatli vazifadir.

Boshlang'ich sinflardan boshlab milliy dasturda belgilangan talab va me'yorlarga mos ravishda o'quv-tarbiya jarayonini olib borish, o'qish darslarida o'quvchilarning o'qish savodxonligini oshirishga alohida e'tibor qaratish, ularning og'zaki va yozma nutqini rivojlantirishda buyuk allomalarimizning mazmunli, ibratli hayoti, ijodi, rivoyat va hadislaridan foydalanish samarali natijani ta'minlashi bilan birga yosh avlod qalbida o'z millati va qadriyatlariga bo'lgan faxrlanish hissini tarkib toptirishga xizmat qiladi.

Boshlang'ich sinf o'qish darslarining asosiy maqsadi - kichik maktab yoshidan boshlab o'quvchilarning savodxonligini oshirish, ularda ongli va ravon o'qish ko'nikmalarini shakllantirish, milliy hamda jahon adabiyotining nodir namunalarini o'qitish, ajdodlar merosini o'rgatish orqali o'quvchilarning ma'naviy-axloqiy dunyosi, adabiy-estetik didini shakllantirish hamda ularda mustaqil fikrlash, obrazli tafakkurga oid bilim, ko'nikma, malakalarni hosil qilish va rivojlantirishdan iborat.

Ўқиш дарсларида ajdodlar merosini o'rganish jarayonida o'quvchilarning savodxonlik ko'nikmalarini rivojlantirishga yo'naltirilgan obekt-subekt faoliyati mazmuni aksiologik yondashuvlarga asoslangan holda takomillashtirilsa, bu yosh avlodning savodxonlik darajasini oshirish bilan birga uning ijtimoiy rivojlanishi ushun potensial imkoniyatlarni vujudga keltiradi. Yosh avlod ongida ijtimoiy ma'sullik, shaxs sifatida o'z-o'zini rivojlantirish, ijtimoiy munosabatlarga kirisha olish ko'nikmalarini tarkib toptirish ko'p jihatdan mavjud shart-sharoitlar va ta'lim-tarbiya mazmunini sifati bilan bevosita bog'liq.

O'qish darslarida ajdodlar merosini o'rganish jarayonida qo'yilgan ta'limiy va tarbiyaviy vazifaning muvaffaqiyatli hal etilishi darsda badiiy asar matni ustida ishlash bilangina bog'liq bo'lib qolmay, balki bolalarni qurshab olgan hayot, tabiatdagi turfa o'zgarishlar, ekologik vaziyat, ijtimoiy foydali mehnat bilan ham o'zaro bog'liq bo'lishi lozim. O'quvchilarni ongli savodxon sifatida o'qishga o'rgatishda hayot tajribalariga tayanib ish ko'riladi.

Shu bilan birga o'quvchilarni savodli o'qishini ta'minlash bilan ularda ajdodlar merosiga qiziqish, badiiy adabiyotga bo'lgan muhabbatini oshirish, darslikda berilgan matn, she'r, xalq og'zaki ijodi namunalari, asarlarni o'rgatish jarayonida olam va inson tabiati, milliy hamda umuminsoniy qadriyatlar, shuningdek, kitobxonlik madaniyatini shakllantirish orqali o'quvchilarning ma'naviyatini,



dunyoqarashini kengaytirib, mustahkamlab borish ham boshlang'ich sinf o'qish darslarida o'qituvchiga qo'yilgan muhim talabdir. Jumladan,

-Boshlang'ich sinf o'quvchilarining savodxonligini oshirishda ularning og'zaki nutqi adabiy til me'yorlari asosida shakllanishi va rivojlanishini ta'minlash;

-ulardagi nutqiy kompetensiyani o'stirish;

-yozma nutqlarida yuksak savodxonlik, adabiy til me'yorlariga rioya etish;

- uslubiy rang-baranglikdan foydalana olish ko'nikma va malakalarini rivojlantirish;

- o'qish fanining mazmunidan kelib chiqqan holda o'quvchilarda tayanch kompetensiyalarni shakllantirish kabi vazifalarga asosiy e'tibor qaratilishi shart.

Umumiy o'rta ta'limning boshlang'ich sinflarda o'qish fani o'quvchilarni ongli, to'g'ri va ifodali o'qishga o'rgatish bilan birga ularda kitobxonlik va nutq madaniyatini hamda mustaqil fikrlash qobiliyati shakllantiradi. O'quvchilarni har tomonlama rivojlantirishga xizmat qiladi.

Boshlang'ich sinflarida o'qish fanini o'qitishning asosiy maqsadi:

milliy hamda jahon adabiyotining nodir namunalarini o'qitish orqali o'quvchilarning ma'naviy-axloqiy dunyosi, adabiy-estetik didini shakllantirish hamda ularda mustaqil fikrlash, obrazli tafakkurga oid bilim, ko'nikma, malakalarni hosil qilish va rivojlantirish;

o'quvchilarni badiiy adabiyotga qiziqtirish, asarlarni o'rgatish jarayonida olam va inson tabiati, milliy hamda umuminsoniy qadriyatlar, shuningdek, kitobxonlik madaniyatini shakllantirish orqali o'quvchilarning ma'naviyatini, dunyoqarashini kengaytirib, mustahkamlab borishdan iborat.

Boshlang'ich sinf (1-4-sinf) o'qish fanini o'qitishda quyidagi vazifalar belgilab olingan:

-o'quvchilarning og'zaki nutqi adabiy til me'yorlari asosida shakllanishi va rivojlanishini ta'minlash, nutqiy kompetensiyani o'stirish;

-yozma nutqda yuksak savodxonlik, adabiy til me'yorlariga rioya etish;

-uslubiy rang-baranglikdan foydalana olish ko'nikma va malakalarini rivojlantirish;

-dastlab tanish, keyin notanish matn ifodali o'qitilib, o'quvchidagi ko'nikma, malaka aniqlash;

-miqdoriy ko'rsatkich – o'qish tezligi, ongli va ravon o'qish, bir daqiqada nechta so'z o'qiy olishi ham belgilash kabilar.

Bolaning matn mazmunini to‘liq o‘qib olishi, qayta hikoyalashi, shuningdek, o‘zgarlar nutqini eshitib, tushunib olishi maqsad qilinadi.

Mazkur dasturdan o‘rin olgan vatan mavzusidagi asarlar o‘quvchilarni mamlakatimizning ijtimoiy-siyosiy, madaniy-ma‘rifiy hayoti va xalqimizning bunyodkorlik yo‘lidagi olib borayotgan ishlari bilan tanishtirishga yordam beradi.

sinfning o‘quv yili oxirida bolalar Vatan va uning tabiati, insoniy qadriyatlarini haqida kichik-kichik asarlarni o‘qiydilar.

sinfda shakl va mazmun jihatdan uncha murakkab bo‘lmagan Vatan, ona tabiat, istiqlol, kishilarning hayoti va mehnati, axloqiy munosabatlar haqidagi asarlar bilan tanishadilar.

4-sinflar o‘qish dasturida mavzular ko‘lami ancha kengayadi.

Bu sinflarda o‘qish darslarining kattagina qismi asarni o‘qish va matn ustida ishlashga qaratiladi. Darsda o‘quvchilarning faolligini oshiradigan, tasavvurlarini boyitadigan usullardan foydalanish, asarlarni janr mazmunidan kelib chiqib, rollarga bo‘lib o‘qish, qahramonlar nomidan qayta hikoya qilish, qahramonning taqdiri haqidagi hikoyani davom ettirish, qiziqarli mavzularda og‘zaki hikoya tuzdirish kabi ijobiy topshiriqlardan foydalanish kabi ishlar amalga oshiriladi.

Boshlang‘ich sinf o‘qish darslarida o‘qish doirasi, ya‘ni o‘qitiladigan kitoblar va ularni qaysi tartibda o‘qish bilan tanishtirish yuzasidan o‘quvchilarga ko‘rsatma beriladi. O‘quv materiallar asosida bilim, ko‘nikma va malakalar shakllantiriladi. O‘quvchilar kitob va ularning mualliflari haqidagi bilimlarni bevosita amaliy faoliyatlarini, ya‘ni kitob ustida ishlash jarayonida egallaydilar. O‘quvchilar o‘qituvchi rahbarligi ostida avval mavzuga oid bir necha kitob bilan tanishsa, keyinroq bolalar yozuvchilarning asarlari bilan tanishadilar, so‘ngra bolalarning qiziqishlariga mos, ruhiyatlariga yaqin har xil mualliflarning bir mavzuga doir kitoblarini mustaqil tanlab olishga o‘tadilar.

O‘quvchilar milliy va jahon adabiyotlarini o‘qib, tahlil qilish asosida ezgulik va yovuzlik, yaxshilik va yomonlik, go‘zallik va xunuklik haqidagi xilma-xil talqinlarga duch kelishadi. Ularga ongli munosabat bildirish hamda o‘zlaridagi axloqiy-ma‘naviy fazilatlarining shakllanishi va rivojlanishiga zamin yaratadi. Mutolaa o‘quvchilarning og‘zaki hamda yozma nutqlari rivojlanadi. Bolaning matn mazmunini to‘liq oqib olishi qayta hikoyalashi, shuningdek, o‘zgarlar nutqini eshitib,

Boshlang‘ich sinf o‘quvchilarida tayanch va fanga oid adabiy-nutqiy va badiiy asarlarni tahlil qilish kompetensiyalarning shakllantirilishi ham belgilab berilgan.



O‘zbekiston Respublikasida ta’limning uzluksizligi, uzviyligi, o‘quvchi shaxsi va qiziqishlari ustuvorligidan kelib chiqib, ularning yosh xususiyatlariga mos ravishda o‘qish fanidan quyidagi tayanch kompetensiyalar shakllantiriladi.

O‘quvchilar savodxonligini oshirish jarayoni sinfdan tashqari o‘qish o‘quv dasturi bilan chambarchas bog‘liq. Shuning uchun o‘quvchilarda kitobxonlik madaniyatini tarbiyalash, ularni oddiy kitobxondan ijodkor kitobxon darajasiga ko‘tarish talab etiladi. O‘quvchilarda kitobga havas uyg‘otishda har bir bolaga yakka tartibda yondashish, shaxsiy qiziqishlarini hisobga olish zarur. Bolalar ustida ishlash ularda kitobxonlik madaniyatini tarbiyalashining eng muhim omili hisoblanadi.

Sinfdan tashqari o‘qish ikki haftada bir marta o‘tkaziladi va o‘qish uchun ajratilgan 17 soatdan foydalaniladi. Badiiy-adabiy asarlar mustaqil ravishda va izchil o‘qib borilsa, o‘quvchilarning dunyoqarashini kengaytirishga, shakllantirishga xizmat qiladi. Sinfdan tashqari o‘qish tanish bo‘lmagan muallifning kitoblari hamda muqovasi, titul varag‘i, kirish so‘z, mundarijasi va suratlariga qarab asarning taqvimiy mazmunini aniqlash vazifasini amalga oshirishga xizmat qiladi.

Sinfdan tashqari o‘qish o‘quv dasturi bilan chambarchas bog‘liq bo‘lib, unda ko‘zda tutilgan maqsad va vazifalarni amalga oshirishda yaqindan yordam beradi. Buning uchun o‘quvchilarda kitobxonlik madaniyatini tarbiyalash, ularni oddiy kitobxondan ijodkor kitobxon darajasiga ko‘tarish talab etiladi. Bolalarda kitob ustida ishlash malakasini shakllantirish ularda kitobxonlik madaniyatini tarbiyalashning muhim omilidir.

Sinfdan tashqari o‘qish mashg‘ulotlari ikki haftada bir marta o‘tkaziladi va o‘qish uchun ajratilgan soatlardan foydalaniladi. Badiiy-adabiy asarlar mustaqil ravishda va izchil o‘qib borilsa, o‘quvchilarning dunyoqarashini kengaytirishga, shakllantirishga xizmat qiladi.

Sinfdan tashqari o‘qish tanish bo‘lmagan muallifning kitoblari, muqovasi, titul varag‘i, kirish so‘zi, mundarijasi va rasmlariga qarab asarning taqvimiy mazmunini aniqlash vazifasini amalga oshirishga xizmat qiladi. Bolalarga ezgulikka muhabbat, yovuzlikka nafrat uyg‘otish, bog‘lanishli nutqini o‘stirish, adabiy-estetik tafakkurini yuksaltirish o‘qish darslarining tub mohiyatini tashkil etadi hamda o‘quvchilarning o‘qish savodxonligini baholash darajasi adabiy-nutqiy kompetensiyalar va badiiy asarni tahlil qilish kompetensiyasining shakllanganligi bilan baholanadi.

Boshlang‘ich sinf o‘qish darslarida ajdodlarimizdan: Imom al-Buxoriy, Abu Iso Muhammad at-Termiziy, Abu Nasr Forobiy, Abu Mansur al-Moturidiy, Abu Ali

ibn Sino, Abu Rayhon Beruniy, Yusuf Xos Hojib, Mahmud az-Zamaxshariy, Burhoniddin Marg‘iloniy, Najmiddin Kubro, Bahouddin Naqshband, Husayn Voiz Koshifiy, Ahmad Donish, Alisher Navoiy, Amir Temur, Mirzo Bobir kabilarning hayoti va ijodini o‘rganishda ular yozib qoldirgan bebaho asarlarni o‘rganish yosh avlodga puxta va mustahkam bilim berishda muhim ahamiyatga ega bo‘lib, o‘quvchilarning savodxonlik darajasi, so‘z boyligi oshadi, ijodiy faoliyati rivojlanib, iste’dodi yuzaga chiqishini kafolatlaydi.

Mavzuga oid fikrlarimizni umumlashtirgan holda boshlang‘ich sinflarda ajdodlar merosini o‘rganish orqali o‘quvchilarning savodxonlik darajasini oshirishga oid quyidagi tavsiyalarni keltirib o‘tishni lozim deb topdik.

1. Boshlang‘ich sinflardan boshlab o‘quvchilar savodxonligini rivojlantirishda ajdodlar merosini o‘rganish jarayoniga alohida e‘tibor qaratish, bunda ta‘limning uzviylik va uzluksizlik, insonparvarlik, qadriyatli yondashuv tamoyillarini hisobga olish, bilim berishda ilmiy asoslangan, o‘quvchi yoshiga mos mazmundagi o‘quv materiallari bilan boyitish zarur.

2. Boshlang‘ich sinf o‘quvchilarining savodxonligini ajdodlar merosini o‘rganish asosida rivojlantirishga erishishda maktab va maktabdan tashqari kutubxona, televideniye, muzeylar bilan hamkorlikni yanada kuchaytirish, mavjud tarixiy obidalarda sayohatlar uyushtirishga oid rejalar ishlab chiqish hamda ta‘lim muassasasining oila va mahalla instituti bilan hamkorligini mustahkamlash zarur.

3. Ta‘lim muassasalarining o‘ziga xosliklaridan kelib chiqqan holda “Ajdodlar merosini o‘rganamiz” rukni ostida devoriy gazetalar, tadbir va tanlovlar tashkil etib o‘tkazish ishlarini tizimli amaliyotga joriy etishga alohida e‘tibor qaratish maqsadga muvofiq.

4. Boshlang‘ich sinf o‘quvchilari uchun ajdodlar merosini o‘rganish jarayonida duch keladigan tarixiy so‘zlar bo‘yicha lug‘at to‘plamlari tayyorlash, mazkur mavzularni o‘rganish va o‘zlashtirish sifatini oshirishga yordam beruvchi, yosh o‘qituvchilarning foydalanishlari uchun dars ishlanmalari, video darslar va metodik tavsiyalar bankini yaratish lozim.



### Adabiyotlar ro‘yxati:

1. Mirziyoyev Sh.M. Yangi O‘zbekiston strategiyasi. – Toshkent: “O‘zbekiston”, 2021. – B.288
2. Umumiy o‘rta ta’limning Milliy o‘quv dasturi. 2020y
3. Dilova N.G. Sharq allomalarining ilmiy merosi – Uchinchi renesans uchun katta imkoniyat // Science and education. Vol. 2, Issue 10, 2021. – P. 506-514.
4. Dilova N.G. Ajdodlarimiz merosi vositasida bo‘lajak o‘qituvchilarga ta’lim-tarbiya berishning ahamiyati // Science and education. Vol. 2, Issue 10, 2021. – P. 515-523.
5. F.Саноев. Boshlang‘ich ta’limda kichik guruhlarda ishlash afzalliklari.// “Ta’limda innovativ-kreativ texnologiyalarning qo‘llanilishi, neyrolingvistik dasturlashning amaliy asoslari” mavzusida xalqaro ilmiy-amaliy konferensiyasi materiallari to‘plami, 2021 yil 27-dekabr. № 06.-B. 577-580.



---

# Research Science and Innovation House

## BOSHLANG‘ICH SINIF O‘QUVCHILARINI XALQARO BAHOLASH DASTURI ORQALI ILMIYSAVODXONLIKLARINI OSHIRISH

**Burxonov Shavqiddin Sherali o‘g‘li**

**Jiizax davlat pedagogika univerisiteti Makatabgacha va boshlang‘ich  
yo‘nlaishlarda masofaviy ta‘lim kafedrası o‘qituvchisi**

**Tel: +99888 860 00 96**

**Annotatsiya:** Ushbu maqolada boshlang‘ich sinf o‘quvchilarini xalqora baholash dasturi orqali o‘qish, matematika va tabiiy –ilmiy savodxonliklarini o‘rganish texnologiyasi masallarni o‘rganish haqida fikr yuritiladi.

**Аннотация:** В данной статье основное внимание уделяется изучению учащихся начальных классов в рамках Международной программы оценивания, изучению математических и естественнонаучных примеров технологии грамотности.

**Annotation:** This article focuses on the study of primary school students in the framework of the International Assessment Program, the study of mathematical and natural science examples of literacy technology.

**Kalit so‘zlar:** Xalqora baholash, dastur orqali o‘qish, PIRLS, savodxonlik, o‘rganish texnologiyasi.

**Ключевые слова:** Международное оценивание, чтеный через программ, ПИРЛС, грамотность, технология обучения.

**Keywords:** International assessment, read through programs, PIRLS, literacy, learning technology.

Hozirgi zamonning eng ilg‘or texnologiyasi bu teskorlikdir yani tezlik asri bo‘lgan ayni vaqtda inovatsiyon texnologiyalardan keng foydalanish va ularni hayotga tadbiiq etish bo‘yicha keng ko‘lamli ishlarning guvohi bo‘lmoqdamiz. Birgina misol yetakchi ta‘lim tashkilotlarni, ilg‘or ishlab chiqish karxona va zavotlarini ham komunikatsiyon texnologiyalarsiz tasavur etib bo‘lmaydi. Shunday tezlik va texnika asrida tez, aniq, ongli ravishda fikr yuritadigan va ularni amalga oshiradigan yosh avlodni tarbiyalashimiz kerak. O‘sib kelayotgan avlod bunday shittat bilan rivojlanib borayotgan zamonda xorij ilm maydonlarida samarali natija ko‘rsata olishi va rivojlanish strategiyalarini aniq maqsadda tushina olishi uchun albatta ilm salohiyati yuqori darajada ertamiz egalarini tarbiyalashimiz lozim. Misol



tariqasida mustaqil O‘zbekistonimiz innovatsion rivojlanish javhasida shiddat bilan rivojlanib bormoqda bunday rivojlanishning solmog‘i yanada sizilarni darajada oshishi uchun albatta o‘quvchi yoshlarimizning ijodiy g‘oyalari va intellektini har tomonlama qo‘llab-quvvatlash, ajdodlari ag munosib voris bo‘lishiga, ularning bilim, ko‘nikma va malakalarini takomillashtirishga shu bilan bir qatorda dunyo miqyosida yetakchi o‘rinlarda turuvchi ilg‘or xorijiy tajribalari, xalqaro talab va mezonlari asosi o‘laroq bizning ta‘lim jarayonida ham baholash tizimini takomillashtirish, shu bilan bir vaqtda ilg‘or xorijiy baholash dasturlarni joriy etish va o‘rganish maqsadga mofiqdir.

Xalqora baholash bizga nima beradi? Xalqora baholash bu yetakchi xorijiy ta‘lim muassasalarining sifat ko‘rsatkichlaridir. Bunday sifat ko‘rsatkichda eski qolibga solinib qolgan uyga vazifa jarayonida faqatgina yozish, o‘qish, yod olish va so‘zlab berishdan iborat emas. Yani har bir o‘quvchi dars maboynida idrok qilishi, fikr mulohaza yuritishi hamda o‘zlarining yashirin qobiliyatlarini ochishi mumkin. Bu borada bir necha fanlar kesimida ko‘rib chiqamiz;

- O‘qish – darslarda ta‘limi bo‘yicha o‘quvchilarning salohiyatni faqat matn bilan tanishtirish yordamida oshirib bo‘lmaydi. Chunonchi matn bu tarbiyaviy g‘oya bo‘lishi mumkin lekin uni tushunish, idrok qilish va fikr yuritish samarasi kamroq bo‘ladi. Aniqroq aytganda, har bir hikoya va ertagdagi yashirin mazmun va mohiyat, o‘quvchi tomonidan ochilishi uchun matn tahlili jarayonida o‘qituvchining savollariga o‘quvchilarning mantiqiy fikrlashshi va voqiya –hodisalarni jonlantirishga xizmat qiladi.

Hikoya va ertak matni bilan ishlash barobarida ularning janriy xususiyatlaridan tashqari, talimoti ham nazarda tutiladi misol uchun, tabiatga oid mavzu bunda eng avvalo tabiat bag‘riga sayohat uyushtirilishi lozim, o‘quvchilarga kuzatuvchanlikka o‘rgatiladi, olia mavzusiga oid matni o‘quvchilarning vatanparvarlik ruhida tarbiyalanishiga doir yoki oilaning o‘rni ota-ona va yaqin qarindoshlarga bo‘lgan milliycha mehri oqibat samarasini ko‘rish mumkin.

- Matematika – dars jarayonida 4 amalar ustida ishlash, natijalarni taqqoslash bu o‘quvchini zeriktrishi va natijaviylik yuzak bo‘lib qolishi olib kelishi mumkin. O‘qituvchi tomonidan berilgan mantiqiy masalalar har tamonlama bolani fikrlashga mantiqqa tayanishga yoshligidan o‘rgatib boshlaydi. Xususan hayoti misollar natijasida qiziqishi oshib tezroq fikrlashga va sof raqobat paydo bo‘lishga

xizmat qiladi. Nayki texnika va texnologiya tarqiyotida matematikani o‘rni katta bo‘lganidek hayotda ham mantiqiy va arifmetik masalalarning ham o‘rni beqiyosdir.

Boshlang‘ich ta‘limda muammolarini tasniflash, ehtimollar nazariyasi elementlarini o‘rganish darajasini oshirish kerak yani aniq fo‘rmila yoki jadval asosida emas balki bola o‘ylanib fikr mulohaza yuritishga majburlaydigan masalalar to‘plamini joriy etish zarur. Matematikani o‘qitish ko‘nikmasini o‘zgartirish va shunga o‘xshash mazmundagi fikr mulohazalarni ko‘rib chiqish talab etiladi. Mazmuni jihatdan yuqori natijaga erishadigan mantiqiy masalalarni boshlang‘ich sinf darsliklarida ham qo‘llash bu o‘sib kelayotgan yshoh avlodni terang fikrlashga, xususiy intellektni oshirishga xizmat qiladi.

O‘zbekiston Respublikasining 2030-yilga kelib PISA (The Programme for International Student Assessment) Xalqaro miqyosda o‘quvchilarni baholash dasturi reytingi bo‘yicha jahonning birinchi 30 ta ilg‘or mamlakati qatoriga kirishiga erishish. [1]

PIRLS - Mazkur dastur 4-sinf o‘quvchilarining matematika va tabiiy fanlardan bilim darajasini baholaydigan TIMSS dasturini to‘ldirishga yo‘naltirilgan bo‘lib, Boston kollejidagi TIMSS va PIRLS xalqaro markazi, IEA tashkilotining Gamburg va Amsterdam shaharlaridagi idoralari bilan yaqindan hamkorlikda boshqariladi. PIRLS xalqaro tadqiqoti boshlang‘ich sinf o‘quvchilarining o‘qib tushunish ko‘nikmalarini qay darajada rivojlanganligi haqidagi ma'lumotlarni xalqaro miqyosda taqqoslash imkonini beradigan, o‘qish va o‘qitishni yaxshilashda ta'lim sohasidagi davlat siyosatiga xizmat qilishi mumkin bo‘lgan tahlillarni taqdim etadigan yirik xalqaro baholash dasturi hisoblanadi. [2]

Xalqora baholash dasturi bo‘yicha o‘quvchi yoshlarni tayyorlash va ular bilan ishlash yuzasidan xalqaro tadqiqotlarda o‘quvchilarning o‘qish, tabiiy, matematik savodxonligini baholash, o‘quvchilar savodxonligini rivojlantirishga yo‘naltirilgan ta‘lim jarayonini loyihalashtirish, PISA va PIRLS tadqiqotlarida o‘quvchilar savodxonligini baholashning tamoyillari, maqsadlari, shakllari yuzasidan treninglar olib borilishi lozim. Seminarda O‘zbekiston Respublikasining Iqtisodiy hamkorlik va taraqqiyot tashkiloti tomonidan o‘tkaziladigan PISA hamda ta‘lim sohasidagi yutuqlarni baholash xalqaro assotsiatsiyasi tomonidan o‘tkaziladigan PIRLS xalqarotadqiqotlarida ishtiroketishning afzalliklari, xalqaro tadqiqotlarga tayyorgarlik ko‘rish va o‘tkazishning o‘ziga xos xususiyatlari va kelgusida bajarilishi lozim bo‘lgan vazifalar to‘g‘risida axborot berish. Shuningdek, barcha



yig‘ilish va trenglarda tadqiqotida o‘quvchilarning kreativ fikrlashini baholash bo‘yicha ham ma‘lumotlar beribborish, PISA va PIRLS xalqaro dasturlari topshiriqlari yuzasidan amaliy mashg‘ulotlar olib borish. Xalqaro baholash dasturlarida muvaffaqiyatli ishtirok etish, bevosita ta‘lim sifatini oshirish bilan bog‘liqdir. Unda ishtirok etish, nafaqat O‘zbekiston, balki jahon hamjamiyatida o‘quvchilarning o‘quv dasturlarini yodda saqlab qolganligini baholashdan ularning kompetensiyalarini baholash, ya‘ni maktabda egallagan bilimlarini real hayotiy vaziyatlarda qo‘llay olishi, ijodiy va mantiqiy fikrlash ko‘nikmalarini rivojlantirish va uni baholashga o‘tishda muhim vosita bo‘lib hisoblanadi.

### Foydalanilgan Adabiyotlar

1. O‘zbekiston Respublikasi Prezidentining 2018-yil 5-sentabrdagi “Xalq ta‘limini boshqarish tizimini takomillashtirish bo‘yicha qo‘shimcha chora-tadbirlar to‘g‘risida”gi PF-5538-son Farmoni
2. Safarov, B.N. (2022). Pirls-xalqaro o‘qish savodxonligini o‘rganish bo‘yicha taraqqiyot. Ta‘lim faoliyatida innovatsion rivojlanish , 1 (5), 134-138
3. Turakulov X. A., Buktakov S. Civilizational Pedagogical Systems-Intellectualization Of Educational Content As A Didactic Basis //International Scientific and Current Research Conferences. – 2020. – C. 145-147.
4. Bo‘ltakov S. X. SIVILIZATSION PEDAGOGIK TIZIMLARNI SHAKLLANTIRISH BOSQICHLARI //Science and innovation. – 2022. – T. 1. – C. 262-265.
5. Bo‘ltakov S. X. Practical aspects of using civilized pedagogical systems in the training of future primary school teachers //Journal of Innovation, Creativity and Art. – 2023. – T. 2. – №. 3. – C. 71-73.
6. <https://uzreport.news/society/prlic>

Research Science and  
Innovation House

## Mámleketlik byudjetniń mazmunı hám onıń ekonomikanı tártipke salıwdağı áhmiyeti

**Polatov Karamat**

Qaraqalpaq mámleketlik universiteti, 2-kurs magistrant

**Аннотация.** Ушбу мақолада давлат бюджетининг мазмуни ва унинг иқтисодий тартибга солишдаги аҳамияти хусусида сўз юритилади.

**Калит сўзлар:** солиқ, кичик бизнес, молия, даромад, бюджет, фоиз, шартнома, тажриба.

**Аннотация.** В данной статье рассматривается содержание государственного бюджета и его значение в регулировании экономики.

**Ключевые слова:** налог, малый бизнес, финансы, доход, бюджет, процент, договор, опыт.

**Abstract.** This article examines the content of the state budget and its importance in regulating the economy.

**Key words:** tax, small business, finance, income, budget, interest, contract, experience.

Hár bir mámlekettiń normal sociallıq-ekonomikalıq hám siyasiy jaqtan rawajlanıwı ushın áhmiyetli finanslıq derek - mámleketlik byudjet zárúr. Mámleket bul derek arqalı jámiyetke hám mámleket puxaralarına zárúr tovarlar óndiris hám xızmetler kórsetiw, ekonomika hám sociallıq tarawlardıń nátiyjeli xızmet etiwı ushın normativ hám institucional dúzilmelerdiń nızamlı tiykarların jaratıw hám sonıń menen óz puxaralarınıń jasawı hám islewı ushın materiallıq hám basqa shar-sharayatlardı jaratıp beriw wazıypaların orınladı [1].

Mámleket óz funkciyaların tabıshı orınlawı ushın, sondayaқ, rawajlanıwdıń hár bir basqışında aktual bolğan strategiyalıq maqsetlerdi ámelge asırıw ushın mámlekette jaratılğan finanslıq resurslardıń belgili bir bólimin óz qolında toplawı obektiv zárúrlık esaplanadı. Áyne sol obektiv zárúrliktiń bar bolıwı mámleketlik byudjetniń bar bolıwın hám ámel qılıwın talap etedi.

Mámleketlik byudjetniń mazmunın ashıp beriwge túrli dáwir hám túrli



bağdardagi ekonomikalıq mektepler ekonomist alımları túrlishe pikirleydi. Máselen, “Mámleketlik byudjet degende, eń dáslep, eki túsiniktiń qosılıwın túsiniw kerek: birinshisi mámleket kóleminde jalpı ishki (milliy) ónimdi bólistiriw nátiyjesinde payda bolatuǵın ekonomikalıq (finanslıq) qatnasıqlar (ekonomikalıq kategoriya) hám ekinshisi sol kategoriyanıń payda bolıw forması sıpatında mámlekettiń tiykarǵı finanslıq rejesi”-dep táriyplengen [2].

Mámleketlik byudjet - mámleket pul qarjılarınıń (sonnan mámleketlik maqsetli jamǵarmaları qarjılarınıń) oraylastırılǵan jamǵarması bolıp, onda dáramatlar derekleri hám olardan túsimler muǵdarı, sondayaq, finans jılı dawamında anıq maqsetler ushın ajratılatuǵın qarjılar sarplanıw bağdarları hám muǵdarı názerde tutıladı [3].

Mámleketlik byudjettiń túrli belgileri hám ózgeshelikleriniń joqarıda bayan etilgen pikirlerge tayanǵan halda, onıń mazmunın anıqlap beriwshi tómendegi táriypti beriw múmkin: mámleketlik byudjet - jámiyet kóleminde oraylasqan hám mámlekettiń qatnasıwında toplanǵan hám onı jámiyettiń rawajlanıwınıń túrli tarawları rawajlanıwına sarplanatuǵın finanslıq resurs esaplanadı.

Mámleketlik byudjettiń ekonomikalıq kategoriya sıpatındaǵı ózgeshelikleri onıń forması, materiallıq mazmunı hám mánisinde kórinedi.

Forması jaǵınan, mámleketlik byudjet - bul mámlekettiń tiykarǵı finanslıq rejesi bolıp, onda byudjet pul qatnasıqları sisteması sıpatında muǵdarı jaǵınan ańlatıladı. Biraq, byudjet rejesi mámlekettiń áhmiyetli finanslıq hújjeti sıpatında dúziledi, kórip shıǵıladı, tastıyqlanadı hám orınlanadı. Onda pul qarjılarınıń oraylastırılǵan jamǵarmasın qalıplestiriw, bólistiriw hám onnan paydalanıwǵa tiyisli ekonomikalıq qatnasıqlar sáwlelenedi.

Materiallıq mazmun jaǵınan, mámleketlik byudjet - mámlekettiń byudjet rejesin orınlaw procesinde qalıplesetuǵın hám paydalanılatuǵın tiykarǵı

oraylastirilgan pul qarjilari jamgarmasi esaplanadi.

Mazmunu jaginan, mamleketlik byudjet – mamleket basqarivini ahmiyetli qurali bolip, onin jardeminde mamleket qayta ondiris proceslerine tasir korsetedi, insan qalewine boysnbaytuqin bazar kushlerini unamsiz tasirin saplastiradi. Huquqiy kategoriya sypatında mamleketlik byudjet - bul mamlekettin wazıypa ham funkciyaların finanslıq tamıynlew ushin molsherlengen pul qarjilari jamgarmasin sholkemlestiriw ham sarplawdin nizam menen belgilengen forması esaplanadi. Byudjet huquqiy akt formasına iye bolip, juwapker hakiyat organı tarepinen qabil qilinadi ham sol sebepten nizamlı kushke iye.

Mamleketlik byudjet mamlekettin finans sistemasında oraylıq orındı iyeleydi. Oraylastirilgan pul fondın qaliplestiriw arqalı onin jardeminde ulken kolemdedi finanslıq resurslar mamlekettin qolında toplanadi ham olar mamleketlik mutajliklerdi qanaatlantirwga sarplanadi [4].

Mamleketlik byudjet ekonomikanin ayırım tarawlarinin rawajlanıwında tiykarğı derek rolin de atqaradi. Maselen, ilimiy-texnikalıq rawajlanıw tiykarında milliy ekonomikada jańa taraw payda bolip atirgan bolsa, onin payda bolıwın hazirgi sharayatta byudjetten finanslastırıwsız amelge asırıp bolmaydı. Mamleketlik byudjet milliy ekonomika kaxanaların texnikalıq jaqtan qayta qurallandırıwda ayırıqsha ahmiyetke iye. Byudjetten ekonomikağa sarplanıp atirgan qarajetler ham oraylastirilgan investiciyalardı finanslastırıw, en daslep, usı maqsetlerge xızmet qiladi. Asirese, sociallıq tarmaqlar (bilimlendiriw, den sawlıqtı saqlaw, madieniyat ham sport, ilim, sociallıq tamıynat) qarajetlerin finanslastırıw, shanaraqlarğa sociallıq napaqa beriw, xalıq ushin sociallıq ahmiyetke iye xızmetler bahasındağı parqlardı byudjetten qaplaw, mamleket hakiyatı sholkemleri, basqarıw ham sud sholkemlerin saqlaw, puxaralardin ozin-ózi basqarıw sholkemlerin finanslastırıw, mamlekettin qorganıw qabiletin bekkemlew kibi





wazıypalardıń óz waqtında orınlaknıwın támiynlewde mámleketlik byudjettiń áhmiyeti júdá úlken.

Hár qanday ekonomikalıq kategoriyanıń mazmunı onıń funkciyalarında kórinedi. Mámleketlik byudjet finans-ekonomikalıq kategoriyasınıń sostav bólimi hámde byudjet qatnasıqları finanslıq qatnasıqlardıń strukturalıq bólimi esaplanganı ushın olargá pul forması tán hám olar bólistiriw, qayta bólistiriw hám qadaǵalaw funkciyaların orınladı.

Bólistiriw funkciyasın salıq, zaëm, mámleket múlkinen túsken dáramatlar, qaǵaz pullar emissiyasınan túsken dáramatlardı óz ishine alıwshı byudjet dáramatları ámelge asıradı. Bunda byudjet jamǵarması xojalıq subektleri (yuridik hám fizikalıq shaxslar) dáramatları esabınan qalıpleseı. Bul dáramatlar sap milliy ónimniń birlemshi bólistiriliwi (jumısshı hám xızmetkerlerdiń is haqı, jallanba islewshilerdiń dáramatları, isbilermenlik paydası, renta, procent) nátiyjesinde júzege keledi [5].

Byudjettiń qayta bólistiriw funkciyası anıq maqsetli byudjet qarajetlerine tiyisli esaplanadı. Mámleket ulıwma xojalıq subekti sıpatında xızmet júritip, qayta óndiris procesi barlıq qatnasıwshılarınıń ekonomikalıq máplerin esapqa aladı, sonıń ushın da byudjet qarajetleri hámme tarmaqlar hám tarawlardı qamtıp aladı. Eger bólistiriwdiń birinshi basqıshında byudjet qarjuları milliy dáramatta mámlekettiń úlesi sıpatında korınse, onıń ekinshi basqıshında bolsa usı úles bólimlerge bólinedi hám kóp sanlı kanallar arqalı túrli ilájlardı finanslastırıwǵa hám fondlardı qalıplestiriwge baǵdarlanadı.

Mámleketlik byudjettiń qadaǵalaw funkciyası da ózine tán bolǵan ózgesheliklerge iye. Byudjettiń milliy ekonomika menen ózara baylanıslılıǵı qayta órndiristiń barlıq basqıshlarında jaǵdaydıń qandaylıǵı haqqında maǵlıwmatlar menen úzliksiz támiynlep turadı. Milliy ekonomikanıń qálegen bir tarawı yaqı kárxananing finanslıq ahwalı, álbette, mámleketlik byudjet penen bolatuǵın ózara

qatnaslarda – salıqlarda, tólemlerde, byudjetten finanslastırıw kólemlerinde, byudjet assignovaniyaların ózlestiriwde hám basqalarda óz tásirin kórsetedi [6].

Mámleketlik byudjet qayta órindiristiń barlıq basqıshlarına aktiv tásir kórsetedi, milliy dáramattı milliy ekonomikanıń barlıq tarmaqları ortasında, sonnan materiallıq óndiris tarawınan materiallıq emes tarawğa (xalıqtıń kem támiynlengen qatlamı – pensionerler, studentler, jumıssızlar, kóp balalı, kem támiynlengen shańaraqlar hám basqalardıń turmıs dárejesin turaqlı uslap turıw ushın sharayatlar jaratadı) qayta bólistiriliwin támiynleydi; ónimleri hám xızmetleri jámiyet ushın júdá áhmiyetli hám zárúr bolğan, leykin turaqlı pás dáramatlı tarawlar (energetika, transport, baylanıs hám basqalar) dı finanslıq qollap-quwatlawdı ámelge asıradı.

Mámleket bazar ekonomikasi sharayatında byudjet dáramatın qáiplestiriwdiń tiykarǵı deregi esaplangan salıqlar járdeminde ayırım tarawlardıń, xojalıq júritiwshi subektlerdiń hám fizikalıq shaxslardıń ekonomikalıq aktivligin olar ıqtıyarında qalatuǵın pul qarjıları úlesin kóbeytiw yaki kemeytiw arqalı, yaki xoshametlew siyasatın ámelge asırıw jolı menen tártipke saladı hám sol arqalı, ekonomikalıq teńsalmaqlılıqtı támiynleydi.

### **Paydalanılğan ádebiyatlar**

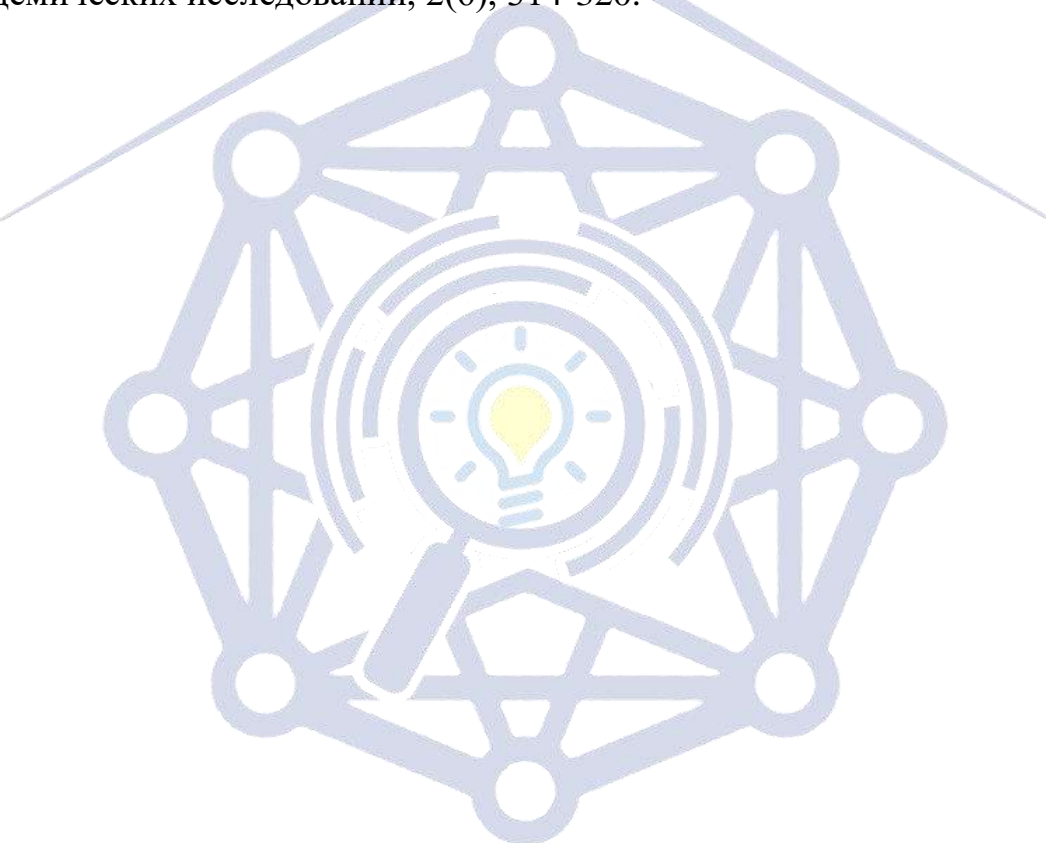
1. Халмуратов, К. П. (2022). АНАЛИЗ ДИНАМИКИ ИНФЛЯЦИИ В РЕСПУБЛИКИ УЗБЕКИСТАН. ИЗОКОР О'QITUVCHI, 2(22), 62-64.
2. Халмуратов, К., & Kamalov, U. B. (2023). МАМЛЕКЕТ BYUDJETI QARJILARINAN NÁTIYJELI PAYDALANIWDI TÁMIYNLEW JOLLARI. Educational Research in Universal Sciences, 2(5), 180-184.
3. Халмуратов, К. П. (2022). ОПЫТ ЗАРУБЕЖНЫХ СТРАН В ОБЛАСТИ КРЕДИТОВАНИЯ НАСЕЛЕНИЯ. О'ZBEKISTONDA FANLARARO INNOVATSIYALAR VA ILMIY TADQIQOTLAR JURNALI, 1(10), 58-62.
4. Халмуратов, К. П. (2022). Анализ бюджетной системы в развитии



экономики Республики Узбекистан. Та’лим fidoyilari, 7(8), 618-625.

5. Xalmuratov, K., & Kamalov, U. (2023). OCHIQ IQTISODIYOT SHAROITIDA INNOVATSION XIZMATLAR TURLARI RIVOJLANISHINING ILMIY-NAZARIY ASOSLARI. GOLDEN BRAIN, 1(17), 138-143.

6. Aytmuratova, U. J., & Sabirbaev, N. (2022). IJTIMOIIY SOHANI QO’LLAB-QUVVATLASHDA DAVLAT BYUDJETINING AHAMIYATI (QORAQALPOG’ISTON RESPUBLIKASI MISOLIDA). Евразийский журнал академических исследований, 2(6), 314-320.



Research Science and  
Innovation House



## NAFAS YO‘LLARINING SURUNKALI VA ALLERGIK KASALLIKLARIGA OLIB KELUVCHI PM DISPERS ZARRALARI

**Salihov Mirilhom Usmonovich**

Toshkent tibbiyot akademiyasi 1-son ichki kasalliklar kafedrasida katta  
o‘qituvchisi

**Esanov Alisher Akromovich**

Toshkent tibbiyot akademiyasi 1-davolash ishi fakulteti III- kurs talabasi

**Annotatsiya:** Allergik va surunkali kasalliklar yer yuzidagi eng keng tarqalgan yuqumli bo‘lmagan kasalliklar orasida yuqori o‘rinni egallaydi. Bu dunyo aholisining taxminan 35-40 foizida uchraydi. Keyingi 10 yil ichida dunyoda allergik kasalliklar bilan kasallanish ikki barobarga oshgani alohida tashvish uyg‘otadi. Bunga ekologik muammolar, noto‘g‘ri ovqatlanish, ortiqcha dori-darmonlar va jismoniy mashqlar etishmasligi kabi omillar sabab bo‘ladi. Aytish joizki, bugungi kunda PM dispers zarralari va havoning ifloslanganlik darajasi allergik va nafas yo‘llarining surunkali kasalliklarining kelib chiqishiga asosiy sababchilardan bo‘lib qolmoqda<sup>[1]</sup>. Rossiyaning turli mintaqalarida, allergik kasalliklarning tarqalishi 15 dan 35% gacha. Dunyo aholisining taxminan 40% kamida bitta proteinga sezgir, dunyo aholisining 10 dan 30% gacha allergik rinit va 10% gacha dorilar allergiyasidan aziyat chekmoqda<sup>[2]</sup>. Allergiya eng keng tarqalgan surunkali kasallik hisoblanadi. Ushbu kasallikning ba‘zi shakllari dunyo aholisining 10 dan 40 foizigacha ta’sir qiladi va 2025-yilga kelib bu kasallikka chalinganlar soni 50 foizgacha oshishi mumkin<sup>[3]</sup>.

**Kalit so‘zlar:** Surunkali, allergik kasalliklar, minamata, astma yurak kasalliklari, ekologiya, PM dispers zarralari.

### “PARTICLES-DISPERSES THAT CAUSE CHRONIC AND ALLERGIC RESPIRATORY DISEASES

**Salikhov Mirilkhom Usmonovich**

Senior Lecturer of the Department of Internal Medicine No. 1 at Tashkent  
Medical Academy

**Esanov Alisher Akromovich**

3rd year student of the 1st medical faculty of Tashkent Medical Academy



**Annotation:** Allergic and chronic diseases are among the most common non-infectious diseases on earth. They occur in approximately 35-40% of the world's population. Of particular concern is the fact that the incidence of allergic diseases in the world will double in the next 10 years. This is due to factors such as environmental problems, poor nutrition, excessive use of drugs, and lack of physical exercise. It should be noted that today, dispersed particles of solid particles and air pollution levels remain one of the main causes of allergic and chronic respiratory diseases 1. In different regions of Russia, the prevalence of allergic diseases ranges from 15 to 35%. About 40% of the world's population is sensitive to at least one protein, 10-30% suffer from allergic rhinitis, and up to 10% have drug allergies 2. Allergy is the most common chronic disease. Between 10 and 40 percent of the world's population suffer from some form of this disease, and by 2025, the number of people with this condition may increase to 50 percent.”

**Key words:** Chronic, allergic diseases, minemata, asthma, heart diseases, ecology, PM dispersed particles.

**“ЧАСТИЦЫ-РАССЕИВАТЕЛИ ТЧ, ВЫЗЫВАЮЩИЕ  
ХРОНИЧЕСКИЕ И АЛЛЕРГИЧЕСКИЕ ЗАБОЛЕВАНИЯ  
ДЫХАТЕЛЬНЫХ ПУТЕЙ**

**Салихов Мирилхом Усмонович**

Старший преподаватель кафедры внутренних болезней №1 Ташкентской  
медицинской академии,

**Эсанов Алишер Акромович**

студент 3-курса 1-го медицинского факультета

**Аннотация:** Аллергические и хронические заболевания относятся к числу наиболее распространенных неинфекционных заболеваний на земле. Встречается примерно у 35-40 процентов населения земного шара. Особую тревогу вызывает тот факт, что заболеваемость аллергическими заболеваниями в мире в ближайшие 10 лет увеличится вдвое. Это вызвано такими факторами, как проблемы окружающей среды, плохое питание, чрезмерное употребление лекарств и отсутствие физических упражнений. Следует сказать, что сегодня дисперсные частицы твердых частиц и уровень загрязнения воздуха остаются одной из основных причин аллергических и

хронических респираторных заболеваний. В разных регионах России распространённость аллергических заболеваний колеблется от 15 до 35%. Около 40% населения земного шара чувствительно хотя бы к одному белку, от 10 до 30% населения земного шара страдает аллергическим ринитом и до 10% — лекарственной аллергией. Аллергия – самое распространённое хроническое заболевание. От той или иной формы этого заболевания страдают от 10 до 40 процентов населения мира, а к 2025 году число людей с этим заболеванием может увеличиться до 50 процентов.”

**Ключевые слова:** Хронические, аллергические заболевания, минематы, астма, болезни сердца, экология, дисперсные частицы ТЧ.

**Kirish:** Havosi eng ifloslangan TOP 10 ta davlatlar va 2018- yilgi ifloslanish darajasi bo'yicha O'zbekiston. Kanada atmosferaga eng ko'p karbonat angidrid chiqaradigan o'nta davlatdan biridir. Yiliga 557 million tonna CO<sub>2</sub> ni atmosferaga chiqaradi. Janubiy Koreya havosi Osiyodagi eng ifloslangan havodir. U yiliga 592million tonna CO<sub>2</sub> atmosferaga chiqaradi. JSST ma'lumotlariga ko'ra, Saudiya Arabistoni poytaxti Ar-Riyod dunyodagi eng iflos shaharlardan biri bo'lib, yiliga 601 milion tonna CO<sub>2</sub> ni atmosferaga chiqaradi. Eronning Ahvaz shahri bugungi kunda yirik metallurgiya markazi va dunyodagi eng iflos shaharlardan biri hisoblanadi va yiliga 648 million tonna CO<sub>2</sub>ni atmosferaga chiqaradi. Atrof-muhitni sezilarli darajada yomonlashtiradigan neft-kimyosanoatidan tashqari, Erondagi bu vaziyatning muhim sababi sanksiyalardir. Islom inqilobi tugaganidan beri o'tgan 38 yil davomida eronliklar eski mashinalarda sifati past yoqilg'i bilan haydab kelishgan. Germaniyaning mavjudligi Kanadaning mavjudligi kabi hayratlanarli. U yiliga 798 million tonna CO<sub>2</sub> ni atmosferaga chiqaradi. Ammo aldanmang: yashil maydonlar, yaxshi iqtisod va eko-orientatsiyadan tashqari, Germaniyada ko'plab yirik shaharlar mavjud. Shunday qilib, Shtutgart “Germaniya Pekini” deb ataladi - bu erda tutun yo'q, ammo xavfli zarralar kontsentratsiyasi ancha yuqori. 2014 yilda zarrachalar kontsentratsiyasi 64 kun davomida ruxsat etilgan me'yordan oshib ketdi. Mamlakatning 28 ta hududida havoning ifloslanish darajasi xavfli deb hisoblanadi. Yaponiya havoning ifloslanishi bo'yicha dunyoda 5-o'rinni egallab, yiliga 1,237 million tonna CO<sub>2</sub>ni atmosferaga chiqaradi Janubiy Koreyaga qaraganda deyarli ikki baravar ko'p karbonat angidridni chiqaradi. Ammo bularning barchasi orol davlatida tom ma'noda 50 yil oldin sodir bo'lgan voqealar bilan solishtirganda oldinga ulkan



qadamdir. 2011 yilda Fukusima AESdagi avariya dan so‘ng Yaponiyadagi ekologik vaziyat biroz yomonlashdi: falokat Yaponiyaning deyarli barcha atom elektr stansiyalari yopilib, ko‘mir bilan almashtirilishiga olib keldi. Moskva ba‘zan havo ifloslanishining o‘ta xavfli darajasini namoyish etadi, ammo baribir Rossiyaning havodagi CO<sub>2</sub> miqdori eng yuqori bo‘lgan mamlakatlar ro‘yxatida to‘rtinchi o‘rinni Chelyabinsk viloyati va Sibirning sanoat shaharlari ta‘minlaydi va havoga 1,617 million tonna CO<sub>2</sub> ni chiqaradi. Rossiyadagi barcha uglerod oksidi chiqindilarining taxminan 6% Chelyabinsk viloyatiga to‘g‘ri keladi. Chelyabinsk viloyatidagi Qorabash shahri 1996 yilda ekologik ofat zonasi sifatida tan olingan va ommaviy axborot vositalarida u ko‘pincha dunyodagi eng ifloslangan shahar deb ataladi. Hindiston yiliga 2,274 million tonna CO<sub>2</sub> chiqaradi. Ha, Hindiston toza energiyaga intilishini e‘lon qildi, ammo bu qanchalik real ekani katta savol. Mamlakat iqtisodi o‘sib bormoqda, Hindistonning so‘nggi yillarda erishgan asosiy iqtisodiy yutuqlaridan biri bu mamlakatning ko‘mir importiga qaramligini kamaytirishdir: Hindiston har yili doimiy ravishda o‘z ko‘mir qazib olish hajmining o‘sishi hisobiga o‘sib bormoqda. Amerika Qo‘shma Shtatlar atrof-muhitni ifloslantirish bo‘yicha yetakchilar qatorida qolmoqda. Atrof-muhitni muhofaza qilish bo‘yicha ko‘plab dasturlar va yashil energiya ishlanmalariga qaramay, yiliga 5,414 million tonna CO<sub>2</sub> atmosferaga chiqarmoqda. Amerika o‘pka kasalliklari assotsiatsiyasining 2016 yilgi hisobotiga ko‘ra, mamlakat aholisining yarmidan ko‘pi xavfli havodan nafas oladi. Eng ifloslangan shaharlar quyoshli Kaliforniyada joylashgan. Yaponiya, Rossiya, Hindiston va Amerika Qo‘shma Shtatlari ushbu reytingda qo‘shni qatorlarni egallaydi, biroq, bu mamlakatlar bittaga birlashtirilgan taqdirda ham, bu holatda havoga karbonat angidrid chiqindilari miqdori Xitoyda sodir bo‘layotgan voqealar bilan taqqoslanmaydi.: agar havoning ifloslanishi Olimpiya sporti bo‘lsa, Medallar reytingida Xitoy peshqadamga aylangan. Xitoy 10357 million tonna CO<sub>2</sub> ni atmosferaga chiqaradi.”Qizil”, eng yuqori, havo ifloslanish darajasi Xitoyning ko‘plab shaharlarida kam uchraydigan narsa emas, shuningdek, zaxarli tutun tufayli millionlab aholi uyda qolayotgani haqidagi xabarlar bor<sup>[4]</sup>. Ma‘lumot o‘rnida aytish lozimki, O‘zbekiston 2018 yilda eng ifloslangan havoga ega davlatlar reytingida 16-o‘rinni egalladi. Reyting havo sifatini monitoring qilish bilan shug‘ullanuvchi AirVisual xalqaro tashkiloti tomonidan tuzildi. O‘zbekiston reytingda sariq rang bilan belgilangan davlatlarga yetakchilik qilgan. Bu shuni anglatadiki, havodagi zararli moddalar miqdori qoniqarli darajada, biroq ifloslangan havoga sezgir bo‘lgan

kishilar o‘z salomatligi haqida qayg‘urishi lozim. Mintaqaning boshqa davlatlaridan reytingga Qozog‘iston kirdi, u 20-pog‘onadan joy oldi. Markaziy Osiyodagi boshqa mamlakatlar reytingda qayd etilmagan. Reytingda Bangladesh, Pokiston hamda Hindiston yetakchilik qilgan - bu mamlakatlar eng ifloslangan havoga ega; eng tozasi - Avstraliya, Finlyandiya va Islandiyada<sup>[5]</sup>. Toshkent havosi tarkibida PM2.5 dispers zarrachalari me‘yoridan bir necha o‘n barobar ko‘payishi tez-tez kuzatilyapti. Bu holat zarrachalarning to‘qimalarda yig‘ilib qolishi va surunkali nafas yo‘li kasalliklariga olib borishi bilan xavfli. O‘zbekistonda, ayniqsa Toshkentda havoning ifloslanib borishi so‘nggi 2-3 yil ichida ko‘proq kuzatilyapti. Havo tarkibi tahliliga qaralsa, zaxarli havoning asosiy qismi PM2.5 dispers zarrachalari ekani oydinlashadi. Bu zarracha ayrim kunlari poytaxt havosida me‘yoridan 40-50 marta ko‘payib ketadi<sup>[6]</sup>.

**Ishning maqsadi:** Allergik va surunkali kasalliklarga olib keluvchi PM dispers zarralarining organizmga ta‘sirini o‘rganish.

**Materiallar va uslublar:** Dunyo mamlakatlari Kanada, Janubiy Koreya, Saudiya Arabistoni, Eron, Germaniya, Yaponiya Rossiya, Hindiston, AQSH va Xtoydan ma‘lumotlar yig‘ilib, tahlil qilindi.

**Natija:** 2016 yil oktyabr oyida Kanada hukumati karbonat angidrid chiqindilariga soliq joriy etishga qaror qildi. Kanadadan farqli o‘laroq, Janubiy Koreya ekologik vaziyatni yaxshilash uchun hech qanday choralar ko‘rmayapti. Eronda ekologiya masalalari ikkinchi o‘rinda turadi. 2016-yilning noyabr oyida shaharni bo‘g‘ib qo‘ygan halokatli tutun tufayli poytaxtdagi barcha maktablar yopilgan edi va 23 kun ichida 400 dan ortiq odam ifloslangan havodan halok bo‘ldi. 2013 yilda Germaniyada 10 mingdan ortiq odam havodagi azot oksidlarining ko‘payishi tufayli vafot etgan. Minamata kasalligi (og‘ir metallar bilan zaharlanish) kabi ifloslanishdan kelib chiqqan dahshatli sindromlar ko‘plab yaponiyaliklarning hayotiga zomin bo‘ldi. Faqat 1970-yillarda Yaponiya hukumati toza muhitda yashash choralari ko‘ra boshladi. Hindistonda har yili 1,2 millionga yaqin odam havo ifloslanishidan vafot etadi. 166 million Amerikaliklar nafas olayotgan havo tufayli har kuni o‘zlarini astma, yurak xastaliklari va saraton kasalligini rivojlanish xavfiga qo‘yadilar. Xitoyda havo holati yaxshilanmayapti- faqat 2016 yil dekabr oyida mayda to‘xtatilgan PM10 zarrachalarining konsentratsiyasi 800 mkg / m dan oshdi. Taqqoslash uchun: JSST nuqtai nazaridan, PM10 ning o‘rtacha yillik



konsentratsiyasi 20 mkg / m ni tashkil qiladi. PM10 diametrdagi mayda dispers zarrachalar yuqori nafas yo‘llaridan o‘tib, bronxlargacha yetib boradi. PM2.5 esa bu o‘ta mayda dispersli zarrachalar bo‘lgani uchun bu gaz almashinuvi sabab sodir bo‘ladigan o‘pkadagi alveolalardan qongacha o‘tib, o‘pka va to‘qimalarda yig‘ilishni boshlaydi va modda almashinuviga ta’sir qiladi<sup>[7]</sup>.

**Muhokama:** Havo tarkibidagi muallaq zarrachalar asosan sanoat korxonalari, qurilish jarayonlari, avtotransport harakati natijasida hosil bo‘luvchi mayda dispers zarrachalar hisoblanadi. Ular o‘lchamiga qarab, PM10, PM4, PM2,5 va PM1 gacha bo‘ladi. Bular orasida organizm uchun eng zararli diametr bu – PM10 dan pasti hisoblanadi. PM10 diametrdagi mayda dispers zarrachalar yuqori nafas yo‘llaridan o‘tib, bronxlargacha yetib boradi. PM2.5 esa bu o‘ta mayda dispersli zarrachalar bo‘lgani uchun bu gaz almashinuvi sabab sodir bo‘ladigan o‘pkadagi alveolalardan qongacha o‘tib, o‘pka va to‘qimalarda yig‘ilishni boshlaydi va modda almashinuviga ta’sir qiladi.

**Xulosa:** Keltirilgan ma’lumotlardan ko‘rinib turipti-ki, dunyodagi barcha havosi ifloslangan davlatlarda iqlim va havo tarkibining o‘zgarishi bir qator kasalliklarga olib kelmoqda. Jumladan, og‘ir metallar bilan zaxarlanish, astma, yurak kasalliklari va saraton, surunkali nafas yo‘llari va allergiya kabi kasalliklar uchramoqda. Bundan tashqari qator davlatlarning millionlab aholisi ushbu holatlardan vafot etishi kuzatilgan. Bu ko‘rsatgich 2025 yilga borib 40 -50 foizgacha ko‘payishi kutilmoqda. Bunday holatlarga barham berish uchun bir qator davlat va davlatlararo dasturlarni ishlab chiqish va amalyotga tadbiiq etish dolzarb bo‘lib qolmoqda.

#### Adabiyotlar ro‘yxati:

1. Bayaliev A.J. i dr. Klinicheskie rekomendatsii po reanimatsii va intensivnoy terapii anafilakticheskogo shoka, Rossiya. 2015, 23 c.
2. Volosovs A.P., Krivopustov C.P., Mozorskaya E.V., Krivopustova M.V. Belok profilin kak klinicheski znachimyy allergen v razvitiu sindroma pqlsevoy i pio‘evoy allergii Zdorove rebenka. 2019.-T.- 14. №.7.-C.434-443
3. Drannik G.N. Klinicheskaya immunologiya i allergologiya M., OOO «Meditsinskoe informatsionnoe agenstvo», 2013, c.392

4. Nazarov O.A., Nazarov J.A., Nizomov Q.F., O‘quv qo‘llanma //Klinik allergologiya / Toshkent 2015 198 b.
5. Rukovodstvo dlya prakticheskix vrachey Klinicheskaya allergologiya pod red. akad. RAMN, prof. R.M. Xaitova. Izd-vo «Medpress-inform»
6. Sanitariya, gigiyena va kasbiy kasalliklar tadqiqoti instituti katta ilmiy xodimi Aqida Nosirovaning kun.uz ga bergan intervyusidan;
7. Kurbacheva O.M., Kozulina I.E. Va yana allergiya haqida: epidemiologiya va patogenez asoslari, diagnostika, terapiya. Rus rinologiyasi 2014;22(4):46-50.
8. Allergologiya va immunologiya. Ed. Namazova-Baranova L.S., Baranova A.A., Xaitova R.M. 5-nashr, rev. va qo‘shimcha M.: pediatri; 2020. 512 b.
9. Gerhold K, Blümchen K, Bock A, Seib C, Stock P, Kallinich T, Löhning M, Wahn U, Hamelmann E. Endotoksinlar sichqoncha IgE ishlab chiqarishni, T (H) 2 immun javoblarini va havo yo‘li eozinofilyasining rivojlanishini oldini oladi, ammo havo yo‘llarining giperreaktivligi emas. . Allergiya va klinik immunologiya jurnali 2002 yil iyul; 110 (1): 110-6.
10. Maksimova O.V., Gervazieva V.B., Zverev V.V. Ichak mikrobiotasi va allergik kasalliklar. Mikrobiologiya, epidemiologiya va immunobiologiya jurnali 2014;3:49-60.
11. Xaitov R.M. Immunologiya. Darslik. 3-nashr, qayta ko‘rib chiqilgan. va qo‘shimcha M.: GEOTAR-Media; 2016. 496 b.
12. Justiz Vaillant AA, Vashisht R, Zito PM. Darhol yuqori sezuvchanlik reaksiyalari. 2022. In: StatPearls [Internet]. Treasure Island (FL): StatPearls nashriyoti. Oxirgi yangilanish 2022-yil 25-avgust. Mavjud: <https://www.ncbi.nlm.nih.gov/books/NBK513315/> Kirish 2023-yil 09-yanvar.
13. Pekar J, Ret D, Untersmayr E. Allergenlarning barqarorligi. Molekulyar immunologiya 2018 avgust;100:14-20.
14. Rimmer J, Santos C, Yli-Panula E, Noronha V, Viander M. Intranazal allergen taqdirini klinik va laboratoriya tadqiqotlari. PLoS One 2015 yil may;10(5):e0127477.
15. Breiteneder H, Mills EN. Oziq-ovqat allergenlarining molekulyar xususiyatlari. Allergiya va klinik immunologiya jurnali 2005 yil yanvar;115(1):14-23.



16.Odilova, O. A. (2021). Cho'llanish zharayoni o'rganish bo'yicha tadqiqot usullari. Journal of Natural Sciences, 1(4).

17.Odilova, O. A. (2021). Tog'li va tog' oldi hududlarida cho'llanish jarayonini baholash mezonlari (Gubdintau misolida) Iqtisodiyot va jamiyat, (4-1), 550-556.

18.Odilova, O. (2021). G'o'bdin tog'ida cho'llanish zharayoniga ta'sir etuvchi ko'rsatkichlar. Journal of Natural Sciences, 1(2).

19.Odilova O.A., (2021). O'rta Zarafshon vodiysi tog' sharoitida daraxt va butalarni muhofaza qilish va ko'paytirish muammolari.//Tabiat va fan.AQSh. 19-jild, 13-17 b.

20.Alibekov L.A.Inson va tabiat.Fan va texnologiyalari nashriyoti.2016yil56-62 b.

21.Rahmatullaev, A. va Baratov, X. (2020). G'o'bdin tog'i landshaftlarida cho'llanish zharayonini tazhriba tumani yerdamida o'rganish.Arhive of Scientific Publications JSPI.

22.To`xtaev A. “Ekologiya” T., “O`kituvchi”, 1998 y.

23.Tursunov X. “Ekologiya asoslari va tabiatni muxofaza kilish”. T., “O`kituvchi”, 1997 y

24.Valiev X.I. “Ekologiya” fanidan maruzalar to'plami. T., 2000 yil.

---

# Research Science and Innovation House

## Saddi- Iskandariy asaridagi Iskandar etnogenezi

### Toshkent Davlat Sharqshunoslik Universitetining Yaponshunoslik fakulteti

yapon-ingliz guruhi talabasi

Jabborova Umida Panji qizi

**Annatsiya:** Bu maqolada mashhur gʻazalnafis Alisher Navoiyning asarlaridan biri “Saddi Iskandariy” dostoni koʻrib chiqilgan. Bu asarda Alisher Navoiy oʻz mohirligi bilan dostonning asosiy qahramoni Iskandarni tasvirlab berishi haqidadir.

**Kalit soʻzlar:** sarkarda, arz, oyat, tobut, gʻazal, sulton, timsol, soʻfiyona.

Gʻazal mulkining sultoni Alisher Navoiy “Xamsa”sining yakunlovchi dostoni “Saddi Iskandariy” dir. Doston oʻta mohirlik bilan yozilgan boʻlib, oʻquvchi bir marta oʻqigandan tushunib oladigan asarlardan biridir. Dastlab musulmon dunyosida Qurʼoni Karimning Kahf surasida nomi zikr etilgan hukmdor Zulqarnayn (Ikki shoxli, 18 sura, 83–98 oyatlar) hamda yunon sarkardasi va davlat arbobi Aleksandrni bitta shaxs deb bilishgan va u sharqda Iskandar Zulqarnayn nomi bilan mashhur boʻlgan. Mazkur Iskandarnomalarga Iskandar timsolidagi Aleksandr faoliyati mavzu qilib olingan. Ammo asarlarda Iskandar timsoli tarixiylikdan tobora uzoqlashib, badiiy toʻqima obrazga aylana borgan. Har bir hamsanavis Iskandar timsolida oʻz ideallarini yaratishga harakat qilgan. Bular sirasiga Jomiy, Dehlaviy, Nizomiy Ganjaviy kabi ijodkorlar kiradi. Bu adiblarimiz Iskandar timsolini oʻz asarlarida turlicha tasvirlaydi. Navoiy ham oʻz asarida Iskandarni oʻta mahorat bilan gavdalandiradi. Navoiy safdoshlaridan farqli oʻlaroq, tarixiylikka, koʻproq tarix kitoblariga tayanib ish koʻrganini yozadi. Navoiy bu oʻrinda oʻz asarida Iskandar haqidagi boblar izchilligining Qurʼondagi Zulqarnayn haqidagi oyatlarga hamda tarixiy shaxs Aleksandr faoliyatiga muvofiq kelishini nazarda tutgan. Dostonning „Saddi Iskandariy“ deb nomlanishida ham Qurʼoni Karimning Navoiy uchun tunganmas manba boʻlganligi seziladi. Navoiy talqinida Iskandar odil shoh, u dunyoni nohaqlikdan, kufrdan, jaholatdan tozalab, butun dunyoda adolatni joriy etish, mamlakatda adolat oʻrnatish, belgilangan tartib qoidalarni katta ommaga joriy qilish maqsadida xalqlar ustiga yurishlar qilgan. Bu esa soʻfiyona talqin boʻlib,



dostondagi muqaddima boblar, Iskandar voqealari hikoya qilingan boblar hamda unga ilova boblarda ham shoirning tasavvufiy qarashlari ustuvorligini ko‘rish mumkin. Asarda Navoiy insonni bu foniy dunyoning hoy-u havaslariga ortiqcha ruju qo‘ymaslikka chaqirib, garchi Iskandar jahonni egallagan buyuk sarkarda bo‘lsada, u narigi dunyoga hech narsasiz ketayotganligiga ishora qiladi. “Saddi Iskandariy” asarida Iskandar obrazini tasvirlashda badiiy mahorat talab qilinadi. Misrlik hukmdor , Dori II ning o‘g‘li bo‘lgan Iskandar aqlda tengi yo‘q, jasoaratli sarkarda bo‘lgan. Iskandar haqidagi turlicha qarashlar mavjud. Ba’zilar uni Eron shohi Doro II ning og‘li deb ko‘rsatadi. Ba’zilari esa Misr firavnlari borib taqaydi. Ayrimlar nuqtai nazarida esa, Iskandar topib olingan farzand. Faylaqus ( Flipp II) Allohdan farzand so‘raydi. Bir kuni Faylaqus ovdan qaytarkan, bir kulba yonida yangi ko‘zi yorigan ayolga duch keladi. Ayol ko‘zi yorib, o‘lik holda yotardi. Farzandi esa o‘g‘il va sog‘ salomat edi. Shunda Faylaqus bolani olib, unga Iskandar deb nom qo‘yadi. Uni o‘zi tarbilaydi. O‘limi oldidan uni valiahd etib tayinlaydi va o‘z o‘rniga shoh qilib qo‘yadi. Navoiy ham o‘z asariga shu muqobilni kiritgan. Iskandar boshqa shohlar singari taxtga o‘ch emas edi. Otasi unga taxtni ishonib topshirganidan havotirda edi. Arastu uning boshiga tojni kiygizmaguncha u deyarli taxt ishlariga aralasholmasdi. U xalq, omma oldiga shart qo‘yadi. Oddiy xalqlar ham o‘zini shohga teng ko‘rib, arz dodini bemalol aytishini so‘raydi. Iskandar xalqning qiynalishlarini bartaraf qilish maqsadida aholi ikki yillik soliqlardan ozod qiladi. “Saddi Iskandariy” asari Iskandar tarixini yaratish maqsadida qo‘yilgan bo‘lmasada, lekin kitobxon uning yurishlari haqida ma’lum tasavvurga ega bo‘ladi. Masalan , Iskandar Eronni egallagach, butun jahonni fath etishga harakat qiladi. Qanchadan qancha sarkardalar unga bo‘ysinadi. Lekin Kashmir, Hind va Chin hoqonlari unga bo‘ysinishni istamaydi. Iskandar Xuroson va Mavarounnahrni egallab, Samarqand va Hirot shaharlarini egallab olgandan so‘ng Kashmir tomon yurish qiladi. Ilm va hikmat bilan Kashmirni ham qo‘lga kiritadi. Buni ko‘rgan Hind shohi urishsiz unga tobe bo‘ladi. Xatto, Chin hoqoni elchi kiyimida kelib, Iskandarning shon-shuhratiga tan beradi. Ko‘plab sovg‘a salomlar bilan siylaydi. Iskandarning keyingi yurishi Mag‘ribda edi. Suv quruqliklardan o‘tib, Mag‘ribga yetib boradi. U yerdagi aholini yaxshiyarlardan himoya qilib, shimol tomonga yurish qiladi. Farang, Rusdan o‘tib, Qirvon degan hududga yetib keladi. U yerda yajujlardan himoya qilish maqsadida Saddi Iskandariyni qurdiradi. Runga qaytib kelib, dengiz safariga chiqib ketadi. Shisha sandiq yasab, dengiz tubiga tushadi. Dengizda turli xil ajoyibotlarni ko‘rib,

vataniga qaytib keladi. Iskandar kasallikka chalinib yotib qoladi. Oxirida onasi Bonuga o‘g‘illikni o‘z o‘rnida qo‘ya olmagan uchun uzr so‘rab xat yozadi. Iskandar bu dunyodan vafot etar ekan, tobutdan bir qo‘lini chiqarib qo‘yishlarini iltimos qiladi. Bu bir ibrat, pand yo‘lidagi iltimosi edi. Jahonni egallagan Jahongirning u dunyoga hech narsasiz ochiq qo‘l bilan ketayotganiga ishora edi. Bu dunyoda qo‘lga kiritgan butun davlating shu dunyoda qoladi, binobarin, har bir narsada aql bilan ish tutmoq lozim degan ma’no anglashiladi.

**Foydalanilgan adabiyotlar ro‘yxati:**

1. Alisher Navoiyning “Saddi Iskandariy” dostoni konkordansi. 2016.
2. Alisher Navoiy. Mukammal asarlar to‘lami. 11-jild. 1993.
3. Mirziyoyev Sh.M. Buyuk kelajagimizni mard va olijanob xalqimiz bilan quramiz. 2017.



Research Science and  
Innovation House





## O‘ZBEKISTONNING TURIZM SALOHIYATI

**Madrimova Guli Sanjarbek qizi**

UrDPI Milliy g‘oya ma’naviyat  
asoslari va huquq ta’limi yo‘nalishi

1-bosqich talabasi.

+998-88-603-03-02

[gulimadrimova36@gmail.com](mailto:gulimadrimova36@gmail.com)

**Ilmiy rahbar: Djumaniyozova Maryamjon**

Urganch davlat Pedagogika instituti “Milliy g‘oya va falsafa” kafedrası

O‘qituvchisi

**Annotatsiya.** Maqolada O‘zbekistondagi sayyohlik obyektlari, sayyohlik to‘g‘risidagi qonun va farmoyishlar, O‘zbekistonda sayyohlarga yaratilgan yengillik va qulayliklar, ularning haq-huquqlari haqida ma’lumotlar berilgan.

**Аннотация:** В статье представлена информация о туристических зонах Узбекистана, законодательстве и нормативных актах в сфере туризма, удобстве и комфорте, создаваемых для туристов в Узбекистане, и их правах.

**Kirish so‘z:** O‘zbekturizm, missionerlik, turizm, transkontinental, me’moriy yodgorliklar, Buxoro, Samarqand, Xiva, BTSK, UNWTO, UNESCO.

**Ключевые слова:** Узбекский туризм, миссионер, туризм, трансконтинентальный, архитектурные памятники, Бухоро, Самарканд, Хива, БЦК, ЮНВТО, ЮНЕСКО.

O‘zbekiston o‘zining ko‘plab tarixiy-me’moriy yodgorliklari, turfa xil iqlimi va tez suratlarda rivojlanishi bilan butun dunyo diqqatini o‘ziga jalb qilmoqda. Asrlar mobaynida O‘zbekiston Buyuk Ipak yo‘lining savdo, iqtisodiy va madaniy markazlaridan biri bo‘lib, Buyuk Ipak yo‘li orqali harakatlangan savdogarlar, sayyohlar va missionerlarni o‘ziga jalb kelgan. O‘zbekiston shaharlari Buyuk Ipak yo‘li va transcontinental magistral hayotida muhim rol

o‘ynaydi. Mamlakatimiz hududidagi Xiva shahri, uning Ichan Qal‘a majmuasi, Buxorodagi tarixiy markazlar, Shahrisabz va Samarqand shaharlari YUNESCONing “Butun dunyo me‘rosi”ning maxsus ro‘yxatiga kiritilgan. Bu shaharlardagi takrorlanmas yodgorliklar va me‘moriy inshootlar o‘tmish zamonlarini o‘zida aks ettirib, mamlakat tarixida kata ro‘l o‘ynadi. Buyuk Ipak yo‘li davridan buyon butunlay saqlanib qolgan shahar Xivadir. U “Ochiq osmon ostidagi muzey”, deb nomlanadi. Shahar markazidagi Ichan Qal‘a majmuasi 17-asr oxiri va 19-asrning birinchi yarmiga tegishli bo‘lib, bu qal‘ada ko‘plab me‘moriy yodgorliklar joylashgan. Qadim davrlarda Samarqand “Islom me‘morchiligi marvaridi” nomi bilan atalgan. Buxoro shahridagi Ismoil Somoniy maqbarasi, Buxoro hukmdorining mustahkam qarorgohi Ark, Minorai Kalon, Jonli labirint kabi ko‘plab masjid va madrasalar, karvonsaroylar Buxoroning tengi yo‘q marvaridi va ko‘rki hisoblanadi. Mustaqillik yillarida mamlakatimizda turizm sohasi nisbatan yangi sohalaridan biriga aylandi. Mustaqillikka erishgach davlatimiz tomonidan turizm sohasida yangi tamoyillar ishlab chiqildi. 1992-yilning 27-iyulida Birinchi Prezidentimiz Islom Karimov farmoni bilan “O‘zbekturizm” milliy kompaniyasi tashkil qilindi. “O‘zbekturizm”ning asosiy vazifasi turizm sohasida davlat siyosatini amalga oshirish va turizmni rivojlantirishning milliy modelini yaratishdan iborat. Bundan tashqari, milliy kompaniya Respublikadagi barcha turistik tashkilotlarning faoliyatlarini muvofiqlashtiradi, turizmning barcha yo‘nalishlarining rivojlanishini rag‘batlantiradi, kadrlar masalasi bilan shug‘ullanadi. 1993-yildan buyon bizning davlatimiz “Xalqaro turizm tashkiloti” (UNWTO.1979) ning a‘zosi hisoblanadi. 2004-yildan boshlab Samarqandda Buyuk Ipak yo‘lining “yuragi”-da UNWTO ning transcontinental magistralda turizmni koordinatsiyasi bilan shug‘ullanuvchi ofisi faoliyat yuritib kelmoqda.

“Turizm sodda qilib aytganda dunyoni tushunib, dunyoni anglash, shu bilan birga dunyo sahniga chiqish demakdir” (Islom.A.K.

“Turizm asoslari” Toshkent, 2014) “O‘zbekturizm” milliy kompaniyasining 2004-yilning 13-sentabrdagi 23-son, Milliy xavfsizlik xizmatining 2004-yilning 29-sentabrdagi 9/1005-son, Ichki Ishlar vazirligining 2004-yilning 27-sentabrdagi 1/5/4-622-sonli qarori bilan “Sayyohlarning O‘zbekiston Respublikasiga kelishi va ketishi tartibi to‘g‘risida”gi nizomi tasdiqlangan. Mazkur nizom O‘zbekiston Respublikasi Konstitutsiyasi, O‘zbekiston Respublikasining “Turizm to‘g‘risida”gi qonuni va O‘zbekiston Respublikasi Vazirlar Mahkamasining 2004-



yil 28-iyuldagi 360-sonli qaroriga muvofiq, turizmga taalluqli boshqa amaldagi me'yoriy hujjatlarga muvofiq hamda O'zbekiston Respublikasida turistik ekskursiyalarni amalga oshirish vaqtida kafolatlangan xizmat ko'rsatish va sayyohlarni chet el safariga borishlarini rasmiylashtirish tartibini hamda chet ellik sayyohlarni qabul qilish jarayonida va O'zbekiston Respublikasi fuqarolarining chet el safariga borishi chog'ida huquqlarini himoya qilish, xavfsizlikni ta'minlash, turar joylarni kafolatlanishi hamda chet safaridan o'z vaqtida qaytishlari maqsadida ishlab chiqilgan.

Sayyohlik sohasi dunyo iqtisodiyotining eng jadal rivojlanayotgan sohalaridan biridir. BMT[Birlashgan Millatlar Tashkiloti.] ning Jahon sayyohlik tashkiloti ma'lumotiga ko'ra 2015-yilda dunyo bo'yicha 1.mlrd 184.mln sayyohlik qayd etilgan bo'lsa, 2016-yil yakuni bo'yicha ko'rsatgich 1.mlrd 235.mln ya'ni, 3,9 foizga oshgan. Sayohatchilarga ko'rsatilgan eksport xizmatlari qiymati 2015-yilda 1,5.trln dollarni tashkil qilgan. 2016-2017-yilda bu raqamlarda ham katta tafovut bo'lgan. Butunjahon turizm va sayohatlar bo'yicha kengashi tomonidan berilgan bahoga ko'ra O'zbekiston sayyohlar tashrifi bo'yicha dunyo mamlakatlari orasida 150-o'rinni egallaydi. Bugungi kunda yurtimiz jahon sayyohlik bozorida o'z o'rniga ega bo'lishga harakat qilmoqda. Yildan yilga sayyohlarga yaratilgan shart-sharoitlar va qulayliklar darajasi oshmoqda. Shuning uchun ham davlatimiz rahbari muhtaram Prezidentimiz Shavkat Mirziyoyev barcha sohalar qatori turizmga ham katta e'tibor qaratishi bu sohada ko'zga tashlanib kelayotgan kamchilik va muammolarni bartaraf etish choralarini jadallik bilan amalga oshirmoqda.

Xulosa qilib aytganda, Mamlakatimizda turizm sohasini rivojlantirib, sayyohlar oqimini yanada oshirish uchun, avvalambor yoshlarni tarixga bo'lgan qiziqishini oshirish kerak, har bir yosh avlod o'z tarixini chuqur anglab yetsagina, o'z tarixini bilsagina, bu yurtga boshqa davlatlar qiziqish bildirib, sayyohlar oqimi ham yanada oshadi.

#### Foydalanilgan adabiyotlar:

1. I.S.Tuxliyev, R. Hayitboyev, B.Sh.Safarov  
G.R.Tursunova. "Turizm asoslari". Toshkent.2014.
2. Internet sayti: [uzbekistanmissiongeneve@gmail.com](mailto:uzbekistanmissiongeneve@gmail.com)



## O‘ZBEKISTONDA XOTIN-QIZLARNING SIYOSIY HUQUQLARI VA XALQARO HUQUQIY MUNOSABATLAR

**Yunusova Shahzoda Rustamovna**

UrDPI Milliy g‘oya ma’naviyat asoslari va  
huquq ta’limi yo‘nalishi 1-bosqich talabasi  
+99894-987-79-19

[shahzodayunusova129@gmail.com](mailto:shahzodayunusova129@gmail.com)

**Ilmiy rahbar: Djumaniyozova Maryamjon**

Urganch davlat Pedagogika instituti “Milliy g‘oya va falsafa” kafedrası  
O‘qituvchisi

**Annotatsiya.** Maqolada xalqaro xotin-qizlar huquqlarining taraqqiy etishi, shu bilan birgalikda O‘zbekiston Respublikasida ayollarga yaratilib berilayotgan yangidan yangi sharoitlar haqida so‘z boradi.

**Аннотация:** В статье говорится о развитии международных прав женщин, а также новых условиях, созданных для женщин в Республике Узбекистан.

**Kalit so‘zlar:** BMT, Konstitutsiya, konvensiya, gender tenglik, siyosiy huquqlar, demokratik o‘zgarish, assotsatsiya, OTM, magistratura, jamg‘arma.

**Ключевые слова:** ООН, Конституция, конвенция, Гендерное равенство, политические права, демократические перемены, ассоциация, ЦВО, magistratura, фонд.

Mustaqillikka erishgan ilk kunlarimizdan boshlab xotin-qizlarga e’tibor, ularni har qanday sohada qo‘llab-quvvatlash, shu bilan birgalikda ularning siyosiy jabhadagi huquqlarini himoya qilish aniq maqsadlardan biriga aylandi. Bu borada muhtaram Birinchi Prezidentimiz Islom Abdug‘aniyevich Karimov: “Shuni unutmaylikki, jamiyatning demokratik o‘zgarishlar yo‘lidan nechog‘li ilgarilab ketgani, shu jamiyatning ayollarga bo‘lgan munosabati, uning madaniy-ma’naviy saviyasini belgilaydi” [Saidov A.X, 2010: 3] -deya, bejizga aytmagandi. Yurtimizda



ayollarning siyosiy huquqlarini himoya qilish[Ayollarning siyosiy huquqlari konvensiya 1952: 16],ularni mehnat va ish turlari sohasida kamsitish to‘g‘risidagi konvensiyalarning davlatimizda qabul qilinishi madaniyat, ta‘lim, siyosat va bir necha ijtimoiy sohalarda ayollarning jamiyatimiz to‘laqonli a‘zosi bo‘lishini ta‘minladi.Xususan, qabul qilingan konvensiyalarda xotin-qizlarning saylovlarda teng huquqligini ta‘minlash,erkaklar bilan teng sharoitda hech qanday kamsitishlarsiz lavozimlarga ega bo‘lish[Ayollarning siyosiy huquqlari 1952: 4],munosib mehnat faoliyatini olib borish,kasb va faoliyat turini erkin tanlash,homiladorlik yoki bola sababli ishga qabul qilishdan bosh tortish,ularni ishdan bo‘shatish,mehnat uchun hech qanday kamsitishlarsiz hamda mehnatga haq to‘lashning belgilangan eng kam miqdoridan kam bo‘lmagan tarzda adolatli haq olish,shuningdek ishsizlikdan qonunda belgilangan tartibda himoya qilish[ Tenglik va kamsitmaslik nizom 2019: 7] kabi muhim qarorlar qabul qilindi.O‘zbekiston Markaziy Osiyoda birinchilardan bo‘lib BMTning Xotin-qizlarni kamsitishning barcha shakllariga barham berish[O‘zb Resp Inson huquqlari bo‘yicha veb sayt 2019:1]to‘g‘risidagi konvensiyaga a‘zo bo‘ldi.“Tenglik va kamsitmaslik to‘g‘risidagi” nizom[ 2019: 3]ning bosh maqsadi ayollar-inson huquqlari bo‘lganligi sababli,ayollar barcha inson huquqlariga egaligi va ulardan foydalana olishi haqida so‘z boradi.Birlashgan Millatlar Tashkiloti tomonidan bu bo‘shliqni to‘ldirish uchun qilingan qo‘shimcha qadamlaridan biri 1979-yil 18-dekabrda qabul qilingan” Xotin-qizlarni kamsitishning barcha shakllariga barham berish” to‘g‘risida (CEDAW)konvensiyaning qabul qilinishi bo‘ldi.Butun dunyo ayollar huquqlari himoyachisi,hozirgi kunda jahon bo‘yicha 100 nafar katta nufuzga ega ayollar qatoridan o‘rin olgan Kerolayn Kriado Peresning“ Ko‘rinmas ayollar” kitobi-jamiyatning barcha xotin-qizlari o‘qishi kerak bo‘lgan asardir.Kitobda muallif tibbiyot, mehnat gigiyenasi va xavfsizligi,tibbiyot, transport, zamonaviy texnologiyalar,soliq tizimi, siyosat,falokatlar chog‘ida yordam ko‘rsatish kabi qariyb hayotning barcha jabhalarida ayollar ehtiyojlari qay darajada inobatga olingan yoki olinmaganini mavzuli tadqiqotlar orqali tahlil qiladi,gender ma‘lumotlar tanqisligini jonli misollar orqali isbotlaydi.”Butun dunyoda ayollar va erkaklar teng huquqlarga ega bo‘lgan sharoitda umrguzaronlik hukm suradi”[Peres K.K 1987:] –deya bong urgan satrlarda muallif hayotga yangicha nazar tashlashga undaydi.

Muallif, shuningdek Inson huquqlari bo'yicha milliy markaz raisi Akmal Holmatovning “O'zbekistonda ayollar huquqlari” [Saidov A.X 2010:] nomli kitobi ham yurtimizda xotin-qizlar huquqlarini ta'minlash, ularga yaratilayotgan keng imkoniyat va sharoitlar haqida ma'lumot beradi. Tadbirkor ayol “assotsiatsiyasi, Ayollar kengashi jamg'armalarining ochilishi, ayollar daftarinig ishlab chiqilishi kabi loyihalar asarning bir qismi hisoblanadi. Bugungi kunda ham xotin-qizlarga e'tibor haligacha o'z o'rnini yo'qotgani yo'q. Xususan, birgina 2022-yil 1-sentabrda byudjet tashkilotlaridan ayollarga 6oy davomida uzluksiz iste'mol xarajatlari to'lanib borildi. OTMlarga kirishda xotin-qizlarga keng imkoniyatlar shuningdek, magistraturada o'qishni davom ettirish uchun ham bepul ta'lim berish kabi sharoitlar yaratildi.

Xulosa sifatida aytish mumkinki, Birlashgan Millatlar Tashkiloti va Inson huquqlari bo'yicha deklaratsiyalarning hayotga tadbiiq qilayotgan bunday munosabati butunjahon xotin-qizlari uchun samarali dastur bo'ldi va ularga yangidan yangi sharoitlarning yaratilib berilishi oliy maqsadga erishishga xizmat qildi.

#### **Foydalanilgan adabiyotlar ro'yxati:**

1. Saidov A.X. “O'zbekistonda ayollar huquqlari”, Toshkent, “Tafakkur”, 2010.
2. Sobirov.I.A. “Ayollarning siyosiy huquqlari” konvensiyasi, Toshkent, “Adolat”, 1997.
3. “Mehnat va ish turlari sohasida kamsitish” konvensiyasi, Toshkent, “Adolat”, 1992.
4. Peres K.K. “Ko'rinmas ayollar”, 1 Toshkent, “Factor books”, 1897.
5. Inson huquqlari bo'yicha O'zbekiston Respublikasi Milliy markazi rasmiy veb sayti, Toshkent, “Asaxiy.com” 2019.
6. “Tenglik va kamsitmaslik to'g'risida”, nizom, Toshkent, “Adolat”, 2019.



## ABDULLA AVLONIY ASARLARIDA YOSHLARIMIZNI TARBIYALASHNING MUHIM JIHATLARI

**Urganch davlat pedagogika instituti o‘qituvchisi: Ahmedova Gulnoza**

**Urganch davlat pedagogika instituti talabasi: Avezova Mastura**

**Annotatsiya:** Mazkur maqolada buyuk pedagog Abdulla Avloniy asarlari orqali farzandlarimizni tarbiyalashning muhim jihatlari va usullari haqida so‘z borgan. **Kalit so‘zlar:** Tarbiya, odob, axloq, vatanparvarlik, tarbiyali shaxs, axloqiy sifatlar, yaxshi xul, yomon xulq, ma’naviyat, ma’rifat, madaniyat.

Tarbiya kishilik jamiyatining paydo bo‘lishi bilan vujudga keldi va u bilan birga taraqqiy etdi. Jamiyat o‘zgarishi bilan tarbiya ham o‘zgarib bordi. Tarbiya turli xil davrlarda va turli xil jamiyatlarda o‘zgarib bo‘lib qolmaydi va zamon o‘zgarishi bilan u ham o‘zgarib boradi. Tarbiyaning maqsadlari, mazmuni, shakli va usullari bilan har bir tarixiy davrda o‘ziga xos xususiyatlarga ega. Insonlarga tarbiya har bir davrning buyuk pedagoglarining qarashlari va asarlaridan berib boriladi. Shu jumladan, XIX asr yoshlari ham va bugungi kun yoshlari ham shu 127 davrdagi Abdulla Avloniy deb atalmish buyuk pedagog olimimizning ijodiy meroslaridan ma’naviy ozuqa olib, shakllanib bormoqdamiz. Abdulla Avloniy pedagogik fikr taraqqiyotiga salmoqli hissa qo‘shgan, o‘z asarlarida o‘zbek xalqining eng yaxshi an’analarini ta’lim-tarbiyaga, axloqqa oid muhim hayotiy masalani aks ettirgan pedagog, olimdir.

**Axloq** - kishilarning bir-birlariga, oilaga, jamiyatga bo‘lgan munosabatlarida namoyon bo‘ladigan xatti-harakatlari, xulq-atvorlari, odoblari majmui. Insoniyat taraqqiyotida axloq muhim o‘rin tutadi. Sharqning buyuk mutafakkirlari insonni Axloqiy kamol toptirish, uni har tomonlama rivojlantirish, ma’naviy qiyofasini shakllantirish jamiyat taraqqiyotining muhim omillaridan biri, deb qarashgan. Inson axloqiy, umuman ma’naviy va ma’rifiy jihatdan kamol topishi jarayonida turli tarixiy bosqichlardan - johillik, nodonlikdan ilmga, yovuzlikdan ezgulikka, vahshiylikdan insoniylikka o‘tarkan, jamiyat ham shu tariqa rivojlanadi. Ikki muqobil ibtido - yovuzlik va ezgulik, jaholat va kamolatning o‘zaro kurashi inson va jamiyat taraqqiyotini belgilagan, inson aql-zakovat sohibi sifatida o‘zini anglashiga olib kelgan. Bu ikki mukrbil kuch kurashi jamiyatdagi mavjud ijtimoiy munosabatlarda ifodalansa, insonga nisbatan uning ichki olamiga xos nafs bilan

qalb, aql bilan aqlsizlik o‘rtasidagi kurashda ifodalanadi. Axloq muayyan jamiyat va davrda o‘zgarishlarga uchrashi, rivojlanishi, so‘nishi mumkin.

Har bir xalqning yoki millatning o‘ziga xos axloqi bilan bir qatorda, umumbashariy Axloq me‘yorlari ham bor. Bunday axloq me‘yorlari jamiyatning umumiy taraqqiyotiga samarali ta‘sir ko‘rsatadi. Axloqning shakllanishida va uning ijtimoiy o‘rnida dinning ahamiyati katta. Dinning asosiy maqsadlaridan biri, insonga yomonlikning zararlarini bayon qilish hamda yomon yo‘lga kirib ketganlarni to‘g‘ri yo‘lga da‘vat etishdir. “Turkiy guliston yoxud axloq” asari barcha pedagog va ruhshunoslar uchun qo‘llanma sifatida foydalanuvchi asar bo‘lib qoldi.

Asarda insonlarni “yaxshilikka chaqiruvchi, yomonlikdan qaytaruvchi bir ilm” – axloq haqida fikr yuritiladi. Axloq bu xulqlar majmuidir. Xulq esa ezgulik yoxud razillikning muayyan bir insonda namoyon bo‘lish shakli. Binobarin, har bir xulq yezgulik va 128 oliyanoblikning yoki razillik va badbinlikning timsoli. Shu jihatdan ular yaxshi va yomonga bo‘linadilar. Lekin bular har bir insonda o‘z-o‘zidan paydo bo‘lmaydi, shakllanmaydi. Ularning shakllanishi uchun ma‘lum bir sharoit, tarbiya kerak deb ta‘kidlaydi. “Turkiy Guliston yoxud axloq” asari boshidan oxirigacha insonni ta‘limtarbiyaga, axloqli bo‘lishga chorlovchi asardir. Asarning boshi ham aynan “Axloq” mavzusi bilan boshlanadi.

**AXLOQ.** Insonlarni yaxshilikga chaqiruvchi, yomonlikdan qaytarguvchi bir ilmdur. Yaxshi xulqlarning yaxshiligini, yomon xulqlarning yomonligini dalil va misollar ila bayon qiladurgan kitobni axloq deyilur.

**YAXSHI XULQ, YOMON XULQ.** Axloq ulamosi insonlarning xulqlarini ikkiga bo‘lmishlar Agar nafs tarbiyat topib, yaxshi ishlarni qilurga odat qilsa, yaxshilikga tavsif bo‘lub, «yaxshi xulq» agar tarbiyatsiz o‘sub, yomon ishlaydurgan bo‘lub ketsa, yomonliqga tavsif bo‘lub «yomon xulq» deb atalur. Hayotning mazmunini to‘g‘ri tushuntirish, farzandlarga odob-axloqni o‘rgatish, ezgu ishlarga undash xalq pedagogikasining yuqorida ta‘kidlangan tarbiya metodlaridan foydalaniladi. O‘git va nasihat metodi xalq og‘zaki ijodining turli janrlarida o‘z aksini topgan. Farzandlarni yaxshi xulqi-odobi, yaxshi o‘qishi, yaxshi inson bo‘lib yetishi uchun rahmat aytish, duo qilish, yaxshi tilak-istak, rag‘batlantirish va mukofotlash hozirgi kunda ham keng qo‘llanilib kelinmoqda. Ta‘lim bilan tarbiya bir - biri bilan bog‘liq bir butun jarayon ekanligini ta‘kidlaydi-A.Avloniy.

U yana dars va tarbiya orasida bir oz farq bo‘lsa ham, ikkisi bir - biridan ayrimaydurgan, birining vujudi biriga bog‘langan jon ila tan kabidir. Inson, uning



har tomonlama uyg'un kamol toptirish va farovonligi, shaxs manfaatlarini Tarbiya hayotning eng muhim tirgagi (tayanchi) bo'lib hisoblanishi lozim. Har bir yoshni shunday tarbiyalash zarurki, u avvalo yaxshi o'qishni va so'ngra esa yozishni o'rganish bilan eng yuksak pog'onaga ko'tarilsin! (Avesto). Avvalombor, tarbiya nazariyasi Markaziy Osiyo faylasuflarining va xalq pedagogikasining tarbiya borasidagi boy tajribalariga tayanadi, tarbiya nazariyasi 129 o'z qoidalarini asoslash uchun falsafa, sosiologiya, etika, estetika huquqshunoslik, psixologiya fanlari ma'lumotlaridan foydalanadi. (Tarbiya nazariyasi o'z navbatida pedagogika fanining boshqa bo'limlari: pedagogikaning umumiy asoslari, pedagogika tarixi, ta'lim nazariyasi, maktabshunoslik bilan uzviy bog'langandir). Hozirgi zamon pedagogikasida tarbiya tarbiyachining tarbiyalanuvchi shaxsiga oddiy shunchalik ta'sir ko'rsatishi emas, balki tarbiyachilar va tarbiyalanuvchilarning aniq bir maqsadga qaratilgan, bir-biri bilan hamkorlikda qiladigan munosabatlari va o'zaro ta'sir ko'rsatishi ekanligi alohida ta'kidlanadi. “Biz sog'lom avlodni tarbiyalab, voyaga yetkazishimiz kerak” - deb ta'kidlaydi.

Hamma davrning ilg'or kishilari tarbiyaga yuqori baho berganlar. Xalq donishmandlari va mutafakkirlaridan Zardusht, Muhammad al-Xorazmiy, Imom al-Buxoriy, Imom at-Termiziy, Ahmad Farg'oniy, Abu Rayxon Beruniy, Abu Ali Ibn Sino, Yusuf Xos Xojib, Axmad Yassaviy, Maxmud Koshg'ariy, Shayx Najmiddin Kubro, Jaloliddin Manguberdi, Burxoniddin Zarnujiy, Burxoniddin Naqshband, Amir Temur, Mirzo Ulug'bek, Alisher Havoiy, Zaxiriddin Bobur, Zavqiy, Furqat, Avaz O'tar, Hamza, Abdulla Avloniy inson kamolotini ilm-fan va tarbayada deb bilganlar. Tarbiya jarayoni shaxsning ijtimoiy qimmatli fazilatlarini shakllantirishga, uning atrofdagi dunyoga, jamiyatga, odamlarga, o'ziga nisbatan munosabatlari doirasinn vujudga keltirishga va kengaytirishga qaratilgan.

Tarbiya jarayonini mashhur pedagog A.Avloniy “Al-xosil tarbiya bizlar uchun yo hayot, - yo mamot, yo najot, - yo halokat, yo saodat, - yo falokat masalasidur” deb ta'riflagan. Ushbu so'zlar orqali ham ko'rishimiz mumkinki tarbiya har qanday vaziyat, har qanday turmush tarzida va har qanday zamonda alohida e'tibor aratilganliginiyam ko'rishimiz mumkin va yuqorida keltirib o'tgan edik. Tarbiya uzoq davom etadigan va aslida uzluksiz jarayon bo'lib, bu jarayon bola maktabga kelishidan ilgariroq boshlanadi va butun umr bo'yi davom etadi. Tarbiya ko'pgina sabablarga, o'quvchilarnng individual-tipologik tafovvutlarga, ularning hayotiy va ma'naviy tajribasiga, shaxsiy faolligiga bog'liq. Inson tarbiyasi bilan ajralib turadi

shunday ekan insonni tarbiyasi orqaqli uning oilasidagi muhitini 130 va ota-onasini unga bergan tarbiyasini ham bilib olishimiz mumkin.

Tarbiya bu insonni libosi. Shunday ekan vatanimizda aqlli,tarbiyali yoshlar kerak va ular kelajakda vatanimizga o‘z hissasini qo‘shadi va yurtimiz yanada yuksaladi. Yoshlarga ma‘naviyatning ma‘no-mazmunini, uning inson va jamiyat hayotidagi o‘rni va ahamiyatini tushintirishga, ruhiy-ma‘naviy oziq berish, dunyoqarashini yuksaltirishga xizmat qiladi. Maktablarda ham o‘quvchilarning tarbiyasini yaxshilashga, ularni namunali xulqqa, axloqiy sifatlarini rivojlantirishga yo‘naltiruvchi turli anjumanlar, davra suhbatlari, bahs-munozaralar, uchrashuvlar uyushtirish, ma‘naviy tarbiyaning mazmun-mohiyatini o‘quvchilarga tushunarli tarzda izohlab beradigan qo‘llanma va tavsiyalar tayyorlash kerak.

Xulosa qilib aytganda, yoshlarni yuqorida ko‘rsatilgan usullar yordamida ma‘naviy-ma‘rifiy ruhda tarbiyalash barkamol avlodni shakllantirishdagi muammolarni bartaraf etishi mumkin. Farzand tarbiyasi hozirgi kunda dolzarb muammolardan biri bo‘lib kelmoqda. Farzandlarni tarbiyasi eng avvalo oiladan boshlanadi. Hozirgi kunda ota-onalar o‘z ishlari bilan bo‘lib farzand tarbiyasiga e‘tibor berishi kamayib ketmoqda. Bir bolaga yetti mahalla ota-ona degan maqol ham bejis emas. Yurtimizda sodir bo‘layotgan jinoyatlarni ko‘pini yoshlar tashkil etmoqda.Bu esa ota-onalarning bolalariga befarqligidan dalolat beradi.

#### **Foydalanilgan adabiyotlar ro‘yxati:**

1. Shavkat Mirziyoyev nutqi. O‘qituvchi va murabbiylarni bayram bilan tabrigi. 2022. 30. 09.
2. O‘zbekiston Respublikasining Qonuni, 23.09.2020 yildagi O‘RQ-637-son. “Ta’lim to‘g‘risida” gi qonun.
3. Hayitov, A. I., & Miltikboyeva, Z. (2022, May). Methods of organization of native language classes in primary classes on the basis of interactive methods. In E Conference Zone (pp. 11-13).

Research Science and  
Innovation House



## Turizm sohasini innovatsion marketing asosida takomillashtirish

Abdijalalova Gulnar  
QQDU magistranti

**Annotasiya.** Bu maqolada turizm sohasini innovatsion marketing asosida takomillashtirish yo‘llari haqida so‘z yuritiladi.

**Kalit so‘zlar:** xizmat ko‘rsatish bozori, xizmat, aymaq, marketing, turizm, mehmonxona xizmatlari, madaniy xizmatlar, maishiy xizmatlar, kommunal xizmat.

**Аннотация.** В данной статье говорится о путях совершенствования туристической сферы на основе инновационного маркетинга.

**Ключевые слова:** рынок услуг, сервис, регион, маркетинг, туризм, гостиничные услуги, услуги культуры, бытовые услуги, коммунальные услуги.

**Abstract.** This article talks about ways to improve the tourism sector based on innovative marketing

**Key words:** services market, service, region, marketing, tourism, hotel services, cultural services, personal services, utilities.

Turizm sohasini innovatsion marketing asosida takomillashtirish O‘zbekistonda turizm sohasi iqtisodiyotni rivojlantirishda eng muhim sohalaridan biri hisoblanadi. Shuning uchun ham O‘zbekiston Respublikasi mustaqillikka erishgandan so‘ng turizm sohasini rivojlantirishga katta e‘tibor berildi. Bu sohani rivojlantirish davlat tomonidan chuqur qo‘llab – quvvatlanmoqda. Mamlakatimiz Prezidentining 2016 yil 2 dekabrda —O‘zbekiston Respublikasining turizm sohasini jadal rivojlantirishni ta‘minlash chora-tadbirlari to‘g‘risidagi farmoni mamlakatimizda turizmni rivojlantirish va mavjud imkoniyatlardan samarali foydalanishga xizmat qilmoqda [1].

O‘zbekiston sayyohlik ko‘lami va tarixiy qadamjolari ko‘pligi bo‘yicha dunyodagi yetakchi o‘n davlat qatorida turadi. Mazkur Farmon mamlakatimizda o‘tgan yillar davomida turizm sohasini rivojlantirish, sayyohlar oqimini ko‘paytirish, turistlarga sifatli xizmat ko‘rsatish bo‘yicha olib borilgan ishlarni yanada yuqori bosqichga olib chiqadi desak mubolag‘a bo‘lmaydi.

O‘zbekiston iqtisodiyotini rivojlantiruvchi eng muhim ustuvor yo‘nalishlardan biri bu – xizmatlar sohasi bo‘lib hisoblanadi. Hozirgi kunda xizmat ko‘rsatish sohasi o‘sish sur‘atlari, yangi paydo bo‘lgan xizmatlar turlari soni, bozor hamda iste‘molchilar ehtiyojlariga moslashish bo‘yicha muhim ahamiyatga ega bo‘lib bormoqda. Ushbu soha mamlakatimiz yalpi ichki mahsulotidagi ulushi esa bugungi kunda 56 foizdan ziyodni tashkil etmoqda. Bugungi kunda Samarqandda yuzdan ortiq 60 mehmonxona va 88ta sayyohlik firmasi faoliyat ko‘rsatmoqda. Yildan-yilga ularning moddiy-texnik bazasi mustahkamlanib, zamon talablari darajasida yuqori sifatli xizmat ko‘rsatish imkoniyati kengaymoqda. Viloyatda turistik resurslardan oqilona foydalanish, ko‘rsatilayotgan xizmat turini ko‘paytirish va sifatini zamon talablariga moslashtirish borasida tizimli ishlar bajarildi. Yirik savdo va xizmat ko‘rsatish majmualari, milliy va zamonaviy uslubdagi restoran va choyxonalar, turli ko‘ngilochar maskanlar qurildi [2].

Respublikamizda xizmat ko‘rsatish sohasini bozor munosabatlarning shakllanishi va chuqurlashib borishi bilan yanada rivojlantirish, unda raqobat muhitini vujudga keltirish, hozirgi murakkab sharoitda kun tartibiga turli yangi va o‘ta muhim masalalarni qo‘ymoqda. Shuningdek, qayd etib o‘tilganlar qatorida turizm sohasidagi mehmonxona xo‘jaligini xizmatlarining sifat samaradorligini oshirish masalasi ham o‘ta muhim ahamiyat kasb etadi. Turizm sohasining taraqqiyoti iqtisodiyotning muhim tarmoqlari hisoblangan transport va aloqa xizmatlarining o‘sishiga, iste‘mol tovarlari ishlab chiqarishning kengayishiga, qurilish va qishloq xo‘jaligining yuksalishiga, shuningdek, tashqi savdo aylanmasiga ijobiy ta‘sir ko‘rsatadi. Mamlakatimiz o‘zining mustaqil ijtimoiy-iqtisodiy taraqqiyotini amalga oshirish borasidagi iqtisodiyotni tarkibiy o‘zgartirish va diversifikatsiyalash strategiyalar zamirida turizm sohasini zamonaviy standartlar asosida shakllantirish, mahalliy turistik resurslarni yo‘naltirish, turistik komplekslarni tashkiliy va moddiy jihatdan ta‘minlash, infrastruktura va servis xizmatlarini yo‘lga qo‘yish, zamonaviy innovatsion marketing bilan qurollangan boshqaruv tuzilmalarini tashkil etish va muvofiqlashtirish, investitsiya va kadrlar resursi bilan ta‘minlash hamda muntazam takomillashtirib borish kabi vazifalar yotadi [3].

O‘zbekiston respublikasini modernizatsiyalash va iqtisodiyotni erkinlashtirishga qaratilgan rivojlantirish dasturlarida xizmat ko‘rsatish sohasini





xususan, turizmni rivojlantirish bilan bog‘liq bir qator rejalar amalga oshirilib kelinmoqda.

Turizm bozori qanchalik kengaysa, bu bozorda turistik mahsulotlar qanchalik ko‘paysa, o‘sha holatda bu bozordan turizm mahsulotlarini oluvchilar soni ko‘payadi. Turistik bozorda turistik mahsulotlarning ko‘payishi o‘sha bozor joylashgan mamlakatlarda turizm sohasining rivojlanganligini ko‘rsatadi.

Bozor iqtisodiyoti sharoitlarida innovatsion marketing faoliyati mahsulot va xizmatlarga bo‘lgan talab va takliflarning bir-biriga to‘g‘ri kelishi uchun erkin va raqobatli almashuvdan iborat bo‘ladi. Turizm muhim xususiyatlari bo‘yicha xo‘jalik faoliyatining boshqa shakllaridan hech qanday farq qilmaydi. Shuningdek zamonaviy marketingning hamma mavjud xususiyatlari turizm ham to‘liq qo‘llanilishi mumkin [4].

Turistik firmalar samaradorligini oshirish masalasi dolzarb muammo bo‘lib qolmoqda. Ushbu masalaning yechimini ta‘minlashda innovatsion marketing faoliyatini takomillashtirish asosiy o‘rinni egallaydi. Turizm marketingida yangi bozor segmentlariga kirib borish, bozor sig‘imini oshirish, turizm bozorida raqobatda ustunligini yaratish turistik mahsulotni iste‘molchilarga yangicha taqdim qilish va iste‘molchilar diqqatini turistik mahsulotga jalb qilish asosiy vazifalardan sanaladi. Turizm faoliyat natijasini turistik mahsulot kasb etadi [5].

Turistik mahsulot - turistlarning u yoki bu talabini qondiradigan va ular tomonidan to‘lanadigan har qanday xizmat ko‘rsatish turi hisoblanadi. Turistik xizmatga mehmonxona, transport, ekskursiya, tarjima, maishiy - vositachilik va boshqa xizmatlar kiradi. Mehmonxona xizmatlari ishlab chiqarish va iste‘molida innovatsion marketing masalalari juda muhim rol o‘ynaydi. Sifatli xizmat ko‘rsatmaydigan mehmonxona korxonasi o‘zining asosiy maqsadlariga erisha olmaydi.

Turli mehmonxona korporatsiyalari rivojlanishining tarixi foyda marketingning mahsuli ekanligini ko‘rsatadi. Mehmonxona korxonasi oldida xizmat ko‘rsatish marketingini kerakli darajada saqlab turish, kamchiliklarni o‘z vaqtida bartaraf etish, xizmat ko‘rsatish sifatini oshirish strategiyasini ishlab chiqish vazifasi turadi. Tadqiqotlar shuni ko‘rsatadiki, mijoz mehmonxonaga yana kelish yoki kelmasligi unga ko‘rsatilgan xizmatning yaxshi yoki yomonligiga bog‘liq. Birinchi marta mehmonni yaxshi reklama, boy jihozlar yoki keng turdagi taomnomalar bilan jalb qilish mumkin. Ammo ikkinchi marta mehmon xodimlarning malakali ishlashi

va oldin unga ko‘rsatilgan xizmat sifatining yuqoriligi uchun keladi. Agar xizmat ko‘rsatish korxonasini uni rivojlanish dinamikasi nuqtayi nazaridan ko‘rib chiqsak, innovatsion marketing uning hayotiyiligiga eng katta ta‘sir ko‘rsatishini ko‘rish mumkin. Iste‘molchiga sifatli mahsulotni muvaffaqiyatli sotish korxonasi faoliyatining asosiy manbai hisoblanadi [6-7]. Mehmonxona korxonasi xizmatlarining marketingiga quyidagi omillar ta‘sir ko‘rsatadi:

1. Moddiy –texnika bazasining holati, ya‘ni : mehmonxona binolarning qulay rejalashtirilganligi va sifatli jihozlanganligi, jamoat va yashash xonalarining qulay mebel va uskunalari bilan jihozlanganligi, to‘liq komplektli yuqori sifatli choyshablar, zamonaviy oshxona jihozlari, qulay liftlar va h.k.

2. Xizmat ko‘rsatishning ilg‘or texnologiyasi. Bunga: jamoat va turar xonalarni tozalash tartibi va usullari; mijozlarni ro‘yxatga olish va ular bilan hisob-kitob qilish, restoran va barlarda ovqatlar va ichimliklarni tayyorlash retseptlari, savdo zallarida xizmat ko‘rsatish shakllari va boshqalar kiradi.

Mijozlarning xizmat marketingiga bo‘lgan talablarini doimiy o‘zgarishi va ko‘payishini e‘tiborga olgan holda mijozlarning barcha ehtiyojlarini va belgilangan standartlarga mos keluvchi sifatli xizmatlar ko‘rsatish muhim strategiya hisoblanadi. Turizm mintaqalari ham, alohida xizmat ko‘rsatish korxonalari ham iste‘molchi bilan munosabatda bo‘lish soddalashtirilgan holda, faqat xizmat ko‘rsatish texnologiyasi asosida amalga oshirilmasligi kerakligini tushuna boshladilar. Xizmat marketingi har doim ham iste‘molchilar, rahbarlar va katta xizmatchilarning o‘zini ham qoniqtirmaydi. Yuqori sifatli xizmat ko‘rsatishni ta‘minlovchi omil marketing strategiyasini tanlash hisoblanadi. Xizmat ko‘rsatish strategiyasini tashkil qilish uchun korxonasi rahbari eng avvalo tanlamoqchi bo‘layotgan bozor sharoitining mohiyatini anglab yetishi va bu sharoitda korxonasi qanday o‘rin tutishini anglamoqi lozim.

#### Foydalanilgan adabiyotlar:

1. Xalmuratov, K., & Kamalov, U. B. (2023). MAMLEKET BYUDJETI QARJILARINAN NATIYJELI PAYDALANIWDI TAMIYNLEW JOLLARI. Educational Research in Universal Sciences, 2(5), 180-184.

2. Xalmuratov, K., & Kamalov, U. (2023). OCHIQ IQTISODIYOT SHAROITIDA INNOVATSION XIZMATLAR TURLARI RIVOJLANISHINING ILMIIY-NAZARIY ASOSLARI. GOLDEN BRAIN, 1(17), 138-143.



3. Халмуратов, К. П. (2021). Қорақалпоғистон республикасида хизматлар соҳасида давлат-хусусий шерикчилигининг ташкилий-иқтисодий механизмини такомиллаштириш. Иқтисодиёт фанлари бўйича фалсафа докторлиги (PhD) диссертацияси. Нукус.

4. Стратегия развития инновационного управления промышленного комплекса Республики Каракалпакстан. **International Scientific Journal Theoretical & Applied Science Philadelphia, USA Issue 01, volume 91 published January 31, 2021. 379-387 стр**

5. Калмуратов Бахтияр Сейтмуратович, Бектурдиев Максет Бекбергенович ФОРМИРОВАНИЕ ИННОВАЦИОННОЙ СТРАТЕГИИ РАЗВИТИЯ В КОНКУРЕНТНОЙ СРЕДЕ СТРОИТЕЛЬНОЙ ИНДУСТРИИ // Бюллетень науки и практики. 2021. №6. URL: <https://cyberleninka.ru/article/n/formirovanie-innovatsionnoy-strategii-razvitiya-v-konkurentnoy-srede-stroitelnoy-industrii> (дата обращения: 07.03.2024).

6. Калмуратов Бахтияр Сейтмуратович ТЕНДЕНЦИИ И ПРИОРИТЕТНЫЕ НАПРАВЛЕНИЯ РАЗВИТИЯ ПРОМЫШЛЕННОСТИ РЕГИОНА // Бюллетень науки и практики. 2021. №12. URL:

7. Калмуратов Бахтияр Сейтмуратович Приоритеты кластерного подхода в инновационной развитой строительной промышленности // Бюллетень науки и практики. 2020. №4. URL: <https://cyberleninka.ru/article/n/prioritety-klasterного-podhoda-v-innovatsionnoy-razvitoy-stroitelnoy-promyshlennosti> (дата обращения: 07.03.2024). <https://cyberleninka.ru/article/n/tendentsii-i-prioritetnye-napravleniya-razvitiya-promyshlennosti-regiona> (дата обращения: 07.03.2024).

---

# Research Science and Innovation House

## NAMANGAN VILOYATI SANOATI

**Muhammedova Nazokat Jurayevna**

**Navoiy davlat pedagogika instituti dotsenti**

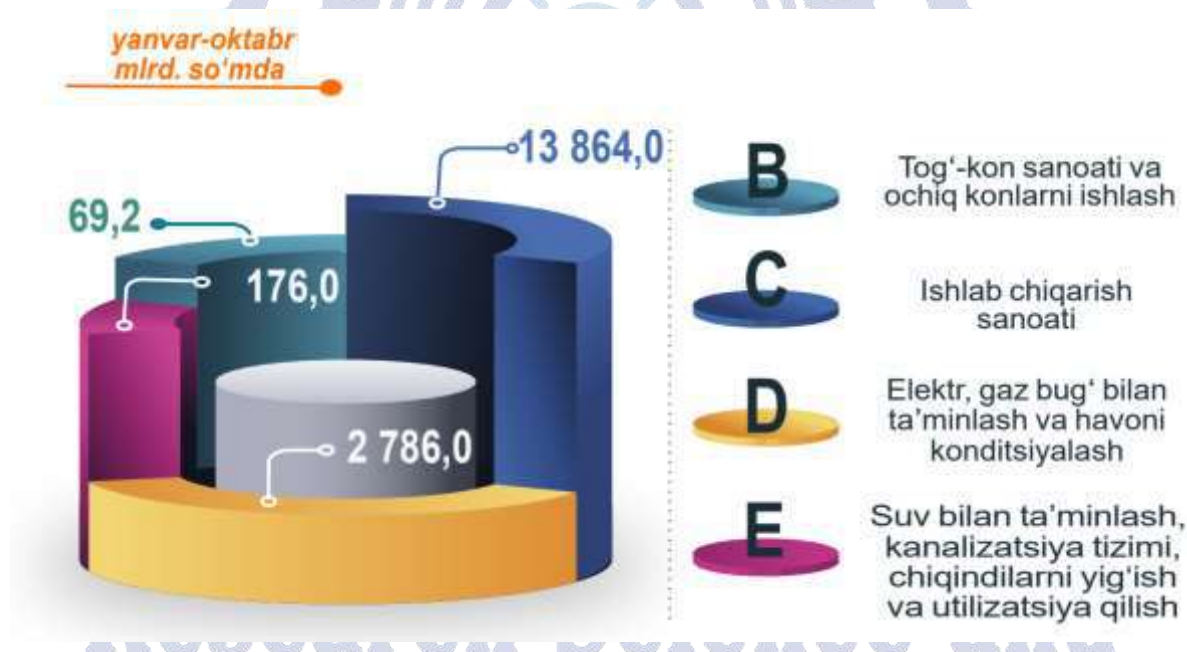
**Talabboyeva Mohinabonu**

**Navoiy davlat pedagogika instituti talabasi**

**Annotasiya:** Ushbu maqolada Namangan viloyatining sanoat ishlab chiqarish keng yo‘lga qo‘yish va qanday mahsulotlar ishlab chiqarish va uning zaxiralari ko‘rib chiqilgan.

**Kalit so‘zlar:** Mashinasozlik, elektr energiyasi, gaz, tog‘-kon sanoati

2023-yilning yanvar-oktabr oylarida Namangan viloyatining sanoat ishlab chiqarishi tarkibi



# Innovation House



Namangan viloyati respublika ishlab chiqarish va madaniy taraqqiyotida yetakchi o‘rinlardan birini egallaydi. Viloyat sanoatining asosiy tarmoqlari: mashinasozlik, elektrotexnika, kimyo, paxta tozalash va oziq-ovqat sanoatlari hisoblanadi. Viloyatda 170 dan ziyod sanoat korxonalari mavjud bo‘lib, eng yirik sanoat korxonalari: mashinasozlik, avtomabillarni tuzatish, g‘isht, yog‘-ekstraksiya, paxta tozalash va oziq-ovqat hamda 3402 ta kichik, 249 shirkat va 76 ta qo‘shma korxonalar faoliyat ko‘rsatmoqda. Dastlabki, ma‘lumotlar bo‘yicha 2023-yil holatiga ko‘ra, viloyat korxonalari tomonidan 14848,6 mlrd so‘mlik sanoat mahsulotlari ishlab chiqarilgan bo‘lib, 2021-yilga nisbatan sanoat ishlab chiqarishning 307,7% ga oshganini ko‘rishimiz mumkin. Viloyat sanoat ishlab chiqarishi tarkibida eng katta ulushi ishlab chiqaradigan sanoat hissasiga to‘g‘ri kelib, uning hajmi 12227,9 mlrd so‘mni yoki sanoat ishlab chiqarishdagi ulushi 82,4% ni tashkil etadi.

Sanoat-milliy iqtisodiyotning moddiy ne‘mat ishlab chiqaradigan muhim tarmog‘i.

Shuningdek, tog‘-kon sanoati -59,4% mlrd so‘m yoki 0,4%, elektr ta‘minoti, gaz, bug‘ yetkazib berish va sun‘iy iqlim hosil qilish -2412,5 mlrd so‘m yoki 16,2%, suv ta‘minoti, oqava suv, chiqindilarni yig‘ish utilizatsiya qilish 148,8 mlrd so‘mni ya‘ni 1% ni tashkil etgan, bu esa 2021-yilga nisbatan tog‘-kon sanoati 388,2%, elektr ta‘minoti, gaz, bug‘ yetkazib va sun‘iy iqlim qilish 348,3%, suv ta‘minoti, oqava, chiqindilarni yig‘ish va utilizatsiya qilish 292,9% ga oshgan. Hududlar kesimida sanoat ishlab chiqarishning viloyatda jami hajmdagi eng yuqori ulushi Namanagan shahriga (viloyat sanoat ishlab chiqarish hajmining 38,9% ni), shuningdek, To‘raqo‘rg‘on (19,4%), Chust (10,1%), Uychi (5,3%), Kosonsoy (5,3%), Uchqo‘rg‘on (4,5%) tumanlari hissasiga to‘g‘ri keladi. Eng past ko‘rsatkich esa, Norin (0,9%), va Yangiqo‘rg‘on (1,9%) tumanlarida qayd etilgan.

Aholi jon boshiga sanoat mahsulotlari ishlab chiqarishning taqsimlanishi viloyat bo‘yicha o‘rtacha 1473,9 ming so‘mni tashkil etib, yirik sanoat korxonalari joylashganligi hisobiga,

To‘raqo‘rg‘on (3728-ming so‘m)

Namanagan shahri (2406 ming so‘m)

Mingbuloq (1862,4 ming so‘m)

Namangan tumanida (1530,4 ming so‘m) o‘rtacha viloyat darajasi ko‘rsatkichidan yuqoriligi kuzatiladi. 2023-yil hisobot davrida viloyatda 246 dona yangi sanoat

korxonalari tashkil etilib, jami faol sanoat korxonalar soni 5739 ta bo‘lib, ular hozir ham faoliyat ko‘rsatmoqda. Iste‘mol mahsulotlari ishlab chiqarish hajmi 6 388,1 mlrd. so‘mni yoki 2022 yilning mos davriga nisbatan 106,7% ga ko‘paygan holda, uning jami sanoatdagi ulushi 43,0% ni tashkil etdi.

Hududlar kesimida iste‘mol mahsulotlari ishlab chiqarilishining viloyat jami hajmidagi eng yuqori ulushi Namangan shahriga to‘g‘ri kelib 46,3%ni, shuningdek, To‘raqo‘rg‘on tumanida 11,1%, Kosonsoy tumanida 9,8%, Chust tumanida 7,5%, Chortoq tumanida 4,9% va Uychi tumanida 4,8%ni tashkil etdi.

Shuningdek, iste‘mol mahsulotlari ishlab chiqarilishining hududlar kesimida yuqori darajada o‘shish ko‘rsatkichlari Uychi (164,1%), Chortoq (116,8%) tumanlari, Namangan shahri (116,6%), Chust (114,2%) va Kosonsoy (113,4%) tumanlarida, pasayish ko‘rsatkichlari Yangiqo‘rg‘on (69,4%), Uchqo‘rg‘on (64,8%) va Pop (81,1%) tumanlarida qayd etilgani kuzatildi.

Viloyat bo‘yicha aholi jon boshiga iste‘mol mahsulotlari ishlab chiqarilishi o‘rtacha ko‘rsatkichi 2 113,0 ming so‘m bo‘lgani holda, Namangan shahrida (4 318,0 ming so‘m), To‘raqo‘rg‘on (2 942,9 ming so‘m) va Kosonsoy (2 788,7 ming so‘m) tumanlarida o‘rtacha viloyat ko‘rsatkichidan yuqoriligi qayd etildi.

#### FOYDALANILADIGAN ADABIYOTLAR

1. Nam.stat.uz
2. Hududlar Sanoat mahsuloti Namangan viloyati Iqtisodiy tadqiqotlar va islohotlar markazi

Research Science and  
Innovation House





## THE HISTORY OF STATE IMAGE IN THE EXPERIENCE OF DEVELOPED COUNTRIES: USA

**Madaminov Obidzhan Zoirdzhanovich**

Researcher of Urgench state university

e-mail: [obidjonzoirjonovich@gmail.com](mailto:obidjonzoirjonovich@gmail.com)

### Abstract

It is known that international cooperation has always been at the center of discussion of studies of two main liberal and realist directions. The predominance of the doctrine of liberalism in the XVII of XIX century was replaced by the theory of realism at the beginning of the XXI century. The study of the issue of international cooperation was formed as an independent scientific direction in the theory of international relations, which became popular in the 1950s. The study of this problem attracted the attention of scientists to such questions as the internal causes of cooperation, its place in the international environment that hinders or encourages development, causes and consequences of factors leading to cooperation, forms and types.

In this article is analyzed the history of the state image of developed countries using the example of the United States until the first quarter of the 20th century.

**Key words:** isolationism, globalism, pragmatism, liberalism, state image, ideology.

### ИСТОРИЯ ГОСУДАРСТВЕННОГО ИМИДЖА НА ОПЫТЕ РАЗВИТЫХ СТРАН: США

**Мадаминов Обиджана Зойирджанович**

научный сотрудник Ургенчского государственного университета

e-mail: [obidjonzoirjonovich@gmail.com](mailto:obidjonzoirjonovich@gmail.com)

### Аннотация

Известно, что международное сотрудничество всегда было в центре обсуждения исследований двух основных либеральных и реалистических направлений. Господство доктрины либерализма в семидесятых годах XX века сменилось теорией реализма в начале XXI века. Исследование проблемы международного сотрудничества сформировалось как самостоятельное

научное направление в теории международных отношений, ставшее популярным в 1950-е годы. Исследование этой проблемы привлекло внимание ученых к таким вопросам, как внутренние причины сотрудничества, его место в международной среде, препятствующей или поощряющей развитие, причины и последствия факторов, приводящих к сотрудничеству, формы и виды.

В статье анализируется история государственного имиджа развитых стран на примере США до первой четверти XX века.

**Ключевые слова:** изоляционизм, глобализм, прагматизм, либерализм, государственный имидж, идеология.

**Introduction.** The United States of America (traditionally USA) (eng. The United States of America, USA) is a country which situated in North America. It ranks fourth in the world in terms of area (9,518,900 km<sup>2</sup>) and third in terms of its population (more than 300 million). The capital is the city of Washington. The United States is bordered by Canada to the north, Mexico to the south, and Russia Federation by sea. It is surrounded by the Pacific Ocean in the West and the Atlantic Ocean in the East. Administratively, the country consists of 50 states and the Federal District of Columbia. In addition, the United States also includes several islands. When the people of the United States are called Americans, they call their country by the common name America.

**Results.** The United States of America was founded in 1776 when thirty British colonies united and declared themselves independent. The struggle for independence will continue until 1783, and finally the colonialists will be defeated. The US Constitution was adopted in 1787 and the Bill of Rights in 1791. In 1860, a four-year civil war began between the country's south, where slavery remained, and the industrialized north. The victory of the Northern states in this civil war saved the country from disintegration and became the main factor in the abolition of slavery in the United States. After the First World War, there was a sharp turn in the US policy. That is, the USA has abandoned the policy of isolationism and has become an active participant in international relations. In 1945, the United States entered World War II as the world's most powerful nation, possessing its own nuclear weapons and continuing to oppose the Soviet Union until the late 1980s.

To date, the United States of America has the world's largest economy (\$14.2 trillion), the most powerful military force, including the largest navy, a permanent



seat in the UN Security Council, and the founding state of the North Atlantic Military Bloc (NATO) is considered The USA has the second largest nuclear arsenal in the world.

From the first days of the establishment of the American state, its leaders, politicians, scientific and cultural community, ordinary citizens imagined and recognized the United States of America as a country with a unique and special mission in the world. Thomas Jefferson described the United States as "the last hope of mankind" and "the adversary of ignorance and barbarism."

In the first articles of the Federalists in 1787, A. Hamilton wrote: "... today, the people of our country must answer a question that is very important to them: whether in the future the citizens, their community, will be able to create a good system of government based on their election, or whether they will be forever dependent and forced to claim their rights? If this statement is correct in some sense, then the period of crisis we are living in is temporary, if it is different and if we make a mistake in making a decision, it will be a disaster for the whole humanity.

In 1782, B. Franklin announced that the declaration of the United States of America and political independence was of great importance not only for "making people happy", but also for "improving the lives of people who are suffering from despotism in different parts of the world". Three years later, Adams puts forward an even more ambitious idea. That is, according to his definition: "Being the most powerful country in the world is written in the destiny of the USA." In other words, Americans see themselves as the chosen, superior nation. Accordingly, they are considered to be a model country for many countries of the world in terms of a special responsibility for protecting world peace and how to build social life and a legal state in the country.

If we observe the entire history of US foreign policy, the missionary idea has been dominant in it. However, America has manifested this global mission in different periods of history. At the same time, US history has been dominated by political ideas of isolationism, globalism, and pragmatism with varying degrees of success.

Traditionally, the United States has not sought to enter into alliances with other countries or to interfere in the political affairs of other countries. The main factors of this isolationism were the geographical situation of the country and, in turn, psychological factors. Geographically, North America was separated from the

European region by a vast ocean. At the same time, the lack of danger from Mexico and Canada and the acquisition of huge territories in the region for the United States caused him some feelings of satisfaction. These annexed territories were carried out without harming the interests of European countries.

Psychologically, the USA developed independently of Europe, which was full of social, political, religious and economic problems. The Americans were trying to build a new country that was different from the "superstition" countries of Europe and not liked the countries of the Old World. Isolationism, in turn, was also seen as the fruit of emerging and growing American supremacy.

At the same time, the active action of the United States in foreign policy is beginning to be seen, albeit slowly. For example, the Americans sent their naval squadron against the "barbarian" states that besieged US merchant ships, the 1812 war between the United States and Great Britain, the 1846 war with Mexico, which opposed the independence of Texas and its annexation to the United States, and the Spanish-American War that occurred in 1898 and the resulting acquisition of control of the Philippine Islands by the United States serves as clear evidence of this idea.

**Conclusion.** The policy of isolationism of the United States, which lasted for a century and a half, was replaced by the policy of globalism by the 20th century. At the end of the 19th century and the beginning of the 20th century, the activity of the United States in the field of international trade and commerce increased rapidly. America began to look for new trade markets, while at the same time, it began to establish its own naval bases abroad in order to protect its commercial interests and sea trade routes. The active involvement of the United States in international activities was accompanied by the strengthening of the idea of moralism. In May 1904, T.Roosevelt said: "If a nation conducts itself in the political and industrial spheres with dignity and decency, if it maintains order and acts according to its obligations, then there is no need for the United States to interfere in these public affairs. It is impudence or impotence that brings a civilized society to a crisis, and if such manifestations appear, it will eventually lead to the intervention of a civilized nation in this country, in which case the United States can act as a policeman in the Western Hemisphere, at least in the Caribbean. Fourteen years later, US President Woodrow Wilson, commenting on the US entry into the First World War, admitted that the US entered the war in an effort to ensure "democracy and peace in the world" and, as a result, "to put an end to all wars in the world". In its 14 points, it proposes



open diplomacy, self-government, independence of the seas, arms limitation, and the creation of a League of Nations that will unite the progressive countries of the world, which will serve to ensure collective peace.

### References

1. Ўзбекистон Республикаси Конституцияси IV боб, 17 модда. 2023 й.
2. Каримов И. А. Янгича фикрлаш ва ишлаш – давр талаби. – Т. 1997 й. – 180 б.
3. Каримов И. А. Юксак маънавият – енгилмас куч. – Т.: “Маънавият”, 2008. – 4 б.
4. Экономический потенциал страны.// [http://abc.informbureau.com/html/yeiiiiexanee\\_iiioaioeae\\_nodaiu.html](http://abc.informbureau.com/html/yeiiiiexanee_iiioaioeae_nodaiu.html)
5. Жўраев С., Аҳмедов О., Раҳимова М. Ўзбекистон ва жаҳон ҳамжамияти. – Т.: “Ғофур Ғулом”, 2008, 12 б.
6. Почепцов Г.Г. Имиджелогия. – М., 2009. -С. 359-360.
7. Transparency International халқаро ташкилоти томонидан ҳар йили махсус сўровномалар воситасида ўтказиладиган “Коррупцияни англаш индекси” дастури доирасида ушбу давлатлар коррупция даражаси юқори мамлакатлар қаторига қўйилади // Полис. - 2009.-№5 (123). -С.134

---

# Research Science and Innovation House

## QURILISH MATERIALLARI KORROZIYASINI OLDINI OLIHNING BA’ZI ASPEKTLARI

**Raximov Firuz Fazlidinovich PhD, dotsent.**

**Mamurov Aminjon Ulug‘bek o‘g‘li 516-20 QMB guruh talabasi**

**Buxoro muhandislik texnologiya instituti**

**Anotatsiya:** Ushbu maqolada qurilish materiallarining korroziyasiga sabab bo‘luvchi omillar va ularni oldini olish imkoniyatlari bayon etilgan. Shuningdek, material korroziyasini oldini olishda hozirgi vaqtda qo‘llanilayotgan kimyoviy tarkiblarning qiyosiy tahlili keltirilgan. Korroziya ingibitorlarning turlari va ularning termik ko‘rsatgichlarini qiyosiy tahlilash orqali kremniyorganik polimer kompozitsiyalardan yuqori samaradorlikka erishish imkoniyatlari bayon etilgan.

**Kalit so‘zlar:** tuzli korroziya, ingibitor, kremniyorganik polimer, siloksan.

Bugungi kunda dunyoda kimyoviy, elektrokimyoviy, mikrobiologik korroziyaga qarshi va tuzlanishni oldini oluvchi yangi polifunksional ingibitorlarni yaratishda ularning ekologik xavfsizligiga alohida e’tibor qaratilmoqda. Qishloq xo‘jaligi, kimyo, neft-kimyoo, texnika sanoati va boshqa turli agressiv ta’sirlar natijasida geologiya va ekologiya o‘zgarishi qurilish materiallarining turli darajadagi korroziyasiga sabab bo‘lmoqda. Bu esa o‘z navbatida qurilish materiallarining fizik-kimyoviy va mexanik xossalari o‘zgarishiga olib kelishi oqibatida iqtisodiy zarar yetkazmoqda[1]. Shu sababli yuqori samarali qurilish materiallari korroziyasini oldini oluvchi ingibitorlarini ishlab chiqish va amaliyotda qo‘llash muhim ahamiyat kasb etadi.

Amaliy ahamiyati bo‘yicha boshqalardan farq qiladigan korroziyaga chidamli komponentlar vakillarining katta guruhini azot-, oltingugurt-, kremniy-, fosfor tutgan birikmalar hosilalari, ularning kompozitsiyalari va kremniyorganik birikmalar asosidagi qator ko‘p funksiyali polimer kompozitsiyali ingibitorlar ishlab chiqarishga ahamiyat berilmoqda[2,3].

Chunki, ularning bir qator sohalarda qo‘llanilishi o‘zgacha ekspluatatsion xossalarga ega, o‘zida yuqori fizik-mexanik xarakteristikalarni mujassamlashtirgan, noqulay atmosfera omillar ta’siriga chidamli va yuqori korroziya barqarorlikni namoyon qiluvchi materiallarni olish imkoniyatini beradi.

Respublikada sanoat chiqindilari va ikkilamchi mahsulotlari asosida oligomer



va polimer turlardagi, hamda ko‘p komponentli polifunksional ingibitorlar yaratish bo‘yicha ma‘lum ilmiy va amaliy natijalarga erishilgan[4,5]. Mazkur yo‘nalishda amalga oshirilgan dasturiy chora-tadbirlar asosida muayyan natijalarga, ayniqsa, yangicha yondashuvlarga asoslangan, ko‘p komponentli polifunksional kompozitsiyalarni yaratishga erishildi. Shu bois ichki bozorni import o‘rnini bosuvchi mahalliy mahsulotlar bilan ta‘minlash sohasida keng ko‘lamli tadbirlar amalga oshirilmoqda.

Qurilish materiallarida asosan tuzli korroziya keng uchraydi. Bunda tuzlar suvda erigan holda material tarkibiga kirib borib, materialning suvni o‘zlashtirishi oqibatida govaklarida kristallarga aylanadi va material korroziyasiga sabab bo‘ladi[6].

Qurilgan binoning chidamliligiga eng ko‘p suv va tuzlar ta‘sir qiladi. Kuzdan bahorgacha bo‘lgan davr ayniqsa xavflidir. Bu vaqtda er osti suvlari sezilarli darajada ko‘tariladi va o‘zida mineral, moddalarni eritib material tarkibiga kirib borishi natijasida kimyoviy tarkibini o‘zgartiradi. Inshootlarga kiradigan yer osti suvlari turli tuzlarning aralashmalarini o‘z ichiga oladi. Ular qurilish konstruksiyalarining g‘ovaklarida kristallanadi va g‘ovaklar hajmini oshiradi. Bu esa qurilish materialining korroziyalanishiga olib keladi[7]. Bugungi kunda kapillyar-g‘ovakli qurilish materiallarini namlikning kirib kelishidan himoya qilish dolzarb muammolardan biridir. Suv kapillyar-g‘ovakli tuzilishga kirib boradi va kapillyarning radiusiga qarab er sathidan ikki metrdan 15 m gacha balandlikka ko‘tarilishi mumkin[8,9]. Yer osti suvi poydevorlarni, devor konstruksiyalarini buzadi, shkatarka va qoplamani uzib tashlaydi (materialda mikro yoriqlar paydo bo‘ladi, bu oxir-oqibatda qoplama materialining muddatidan oldin buzulishiga olib keladi), mog‘or paydo bo‘ladi, bu devorlarning issiqlik izolyatsiyasi qobiliyatini buzadi.

Bundan tashqari qurilish inshootlari va materiallariga tuzli yomg‘ir suvi salbiy ta‘sir ko‘rsatadi. Yomg‘ir oqimlari atmosferadan ko‘p miqdorda gazsimon sanoat chiqindilarini ushlaydi. Bu gazlar qisman suvda eriydi, yomg‘irni kislotali eritmaga aylantiradi, bu esa beton, marmar, silikat g‘ishtlari va boshqa qurilish materiallarini korroziyalaydi[10,11].

Qurilish materiallarining tuzli korroziyasini oldini olish maqsadida gidrofob kompozitsiyalardan keng foydalaniladi. Material gidrofobizatsiyasi sirt va ichki izolyatsiya uchun foydalaniladi. Sirtni gidrofobizatsiya qilishda gidrofob moddani

material yuzasiga purkash, valik yoki cho'tka yordamida surtish orqali amalga oshiriladi. Suv o'tkazmaydigan qoplamalarning chidamliligi va sifati ko'p jihatdan suv o'tkazmaydigan moddalarni singdirish chuqurligiga bog'liq. Suv gidrofobizatorlar bilan sirt ishlov berilganda, materiallar o'z xususiyatlarini 10-15 yildan ortiq saqlamaydi. Hajmiy gidrofobizatsiya qurilish materialini ishlab chiqarish bosqichida gidrofob vositani kiritish orqali amalga oshiriladi. Bunday holda, qo'shimchaning ruxsat etilgan konsentratsiyasi 0,6% dan oshmasligi kerak[12,13,14,15]. Gidrofob moddalar bilan hajmiy ishlov berilganda, materiallar o'z xususiyatlarini 50 yildan ortiq saqlaydi.

Har xil turdagi inshootlarning suvga chidamliligini oshirish uchun mo'ljallangan gidroizolyatsiya qorishmalari ham qo'llaniladi va odatda portland sementining (yoki sulfatga chidamli portland sementining) kichik fraksiyalik kvars qumi va to'ldiruvchi moddalari yoki bitum emulsiyasi qo'shilishi bilan ifodalanadi.

Yangi gidrofobizatorlardan foydalanib, qurilish materiallarini ishlab chiqarishni qurilishga joriy qilib, bunyod etilayotgan bino va inshootlar qurilishining mukammalligi, zamonaviyligi, konstruktsiyalarning mustaxkamligiga erishish, ularning yemirilish ko'rsatkichlarini kamaytirish qat'iy reja asosida bosqichma-bosqich amalga oshirish lozim[16,17].

Shuning uchun ham, so'ngi yillarda olib borilayotgan islohotlarning amalga oshirilishi va jahonda qurilish materiallarining yangi zamonaviy, al'ternativ va arzon turlarini yaratish bo'yicha ehtiyojlardan kelib chiqib, respublikamizda mazkur sohani rivojlantirish va import o'rnini bosuvchi qurilish materiallarini ishlab chiqarishga juda katta e'tibor berilmoqda.

Sirtning supergidrofobik holati ikkita asosiy ko'rsatkich bilan tavsiflanadi[18]:  
1)  $150^\circ$  dan oshadigan chekka namlash burchagi qiymati; 2)  $10-15^\circ$  dan ko'p bo'lmagan gidrofob qoplamasi yuzasidan dumalab tushadigan suv tomchilarining burchagi. Shu bilan birga, supergidrofobik qoplamalar bir nechta funksiyalarni bajaradi. Birinchidan, ular suv tomchisining bog'lanish maydonini minimallashtirish orqali yuzaga suv o'tkazmaydigan xususiyatlarni oshiradilar; ikkinchidan, ular suv tomchilarini dumalab yuborish orqali sirdan chang zarralari va boshqa ifloslantiruvchi moddalarni ushlab tufayli sirt o'zini o'zi tozalash xususiyatlarini ta'minlaydi; uchinchidan, ular agressiv ekologik omillardan samarali himoya qiladi.



Quyida materialning yuzasiga qoplamalarni qo'llashning asosiy usullari keltirilgan[19,20].

Dip-kouting usuli yoki suvga botirish, gidrofob agenti yoki gidrofob zarralari dispersiyasini o'z ichiga olgan eritmadan namunani oldindan va keyinchalik olishdan iborat. Eritmadan qoplamaning qo'llashda uning bir xil qalinligi materialni doimiy suvga cho'mish va olib tashlash tezligini saqlab turish qobiliyati bilan belgilanadi, qoplamaning qalinligi esa suyuqlik harakat tezligiga, suyuqlikning konsentratsiyasi va eritmaning qovushqoqligiga bog'liq. Yuqoridagi omillarga qo'shimcha ravishda, dispersiyalardan qoplamalarni qo'llashda zarrachalar diametri ham katta ahamiyatga ega. Qoplamaning sifati va tuzilishi asosan gidrofobizator komponentlarning material, erituvchi va bir-biri bilan o'zaro ta'sirining tabiati bilan belgilanadi.

Spin-kouting usuli bilan qoplashda qo'shimcha ravishda bir xil qalinlikdagi qoplamaning olish uchun aylanadigan materialda eritma tomchisini sentrifugalashdan foydalanadi. Bunday holda, eritmaning aylanish tezligi va yopishqoqligi katta ahamiyatga ega. Bundan tashqari, erituvchining uchuvchanligi muhim rol o'ynaydi. Bu qoplama qalinligi va tarkibidagi bir xilligini belgilaydi.

Eritmalardan yoki bug'lardan adsorbsiyalash usuli.

Eritmalardan yoki bug'lardan adsorbsiyalash usuli asosan monoqatlamli gidrofobik qoplamalarni olish uchun ishlatiladi. Bunday holda, qoplamaning sifati, uning fazoviy bir xilligi va qoplangan materialning silliqdagi ko'p jihatdan ishlatiladigan erituvchiga, erituvchida, sirtida va atrofdagi atmosferada suv borligiga, materialning harorati va oldindan ishlov berishga bog'liq. Gidrofobizator monoqatlamining adsorbsiyasi tufayli ma'lum bir sirtida erishish mumkin bo'lgan chekka namlash burchagi qiymati ko'p jihatdan monoqatlamning zichligi va to'g'ri qadoqlanishiga bog'liq. Odatda, o'z-o'zidan tashkil etilgan monoqatlamlar gidrofobiklikni kamaytiradigan ko'plab tizimli nuqsonlarga ega, shuning uchun chekka namlash burchagi  $130^\circ$  dan oshmaydi.

Bug'lanish tomchisi usuli - eng tez va eng oddiy bo'lib, qoplamaning xususiyatlarini taxminiy baholash uchun ishlatilishi mumkin. Bu o'z-o'zidan tarqaladigan material yuzasiga gidrofobik vosita bilan eritmaning bir tomchisini qo'llashdan iborat. Ushbu usul bilan olingan plyonkalar, qoida tariqasida, materialning eritma yoki dispersiya bilan to'liq namlangan taqdirda ham qalinligi va tarkibi bo'yicha geterogendir. Biroq, usul texnologiyasi oddiy va ba'zi hollarda hal

qiluvchi bo‘lib chiqadi, chunki qoplamani ishlab chiqishda kompozitsiyani, erituvchini va haroratni tezda tanlashingiz mumkin.

Hozirgi vaqtda turli xil sirt qoplamalar sifatida organosilikon birikmalaridan foydalangan holda bino va inshootlar, qurilish materiallarini korroziyadan himoya qilishda keng qo‘llaniladi[21,22,23].

Ular aralash gips, ohaktosh, qumtosh, marmar, gips yoki g‘ishtga qo‘llangandan so‘ng, himoya qilinadigan materiallarning yuzasi bilan o‘zaro ta‘sir qiladi, ular moy va organik erituvchilar bilan namlanmaydi.

Yuzalarni suv va organik birikmalar bilan namlashning yon burchaklari 98-140° dir. Qayta ishlangan qurilish materiallari uzoq vaqt davomida tuz eritmalarining ta‘sirini qayta muzlatish va eritish natijasida yo‘qotib bo‘lmaydi.

Kremniyorganik gidrofobizatorlar quyidagi xususiyatlarga ega[24,26,27]:

- ichki mikro-yoriqlar paydo bo‘lishining oldini oladi;
- binolarning mustahkamligini oshiradi;
- ob-havoga chidamliligini oshiradi;
- tuz va sovuqqa chidamliligini oshiradi;
- zamburug‘lar paydo bo‘lishini deyarli yo‘q qiladi;
- yong‘in va portlashga xavfsiz;
- material tashqi ko‘rinishi va bug‘ o‘tkazuvchanligini saqlaydi.

Quyida ba‘zi gidrofobizatorlarning qiyosiy tavsifi keltirilgan[28,29,30] (1-jadval).

1-jadval

**Gidrofobizatorlarning ayrim bir qiyosiy xarakteristikalar**

<u>Gidrofobizatorlar</u>	<u>Narxi, so‘m/kg</u> (2023 yil hisobida)	<u>Minimal sarfi,</u> so‘m /m <sup>2</sup>	<u>Maksimal sarfi,</u> so‘m /m <sup>2</sup>
<u>Siloksil</u>	<u>4536</u>	<u>6,48</u>	<u>3322</u>
<u>Akvasil</u>	<u>28840</u>	<u>6,18</u>	<u>2940</u>
<u>Gidromitsuper</u>	<u>5880</u>	<u>5,46</u>	<u>3080</u>
<u>GKJ-1</u>	<u>3920</u>	<u>11,2</u>	<u>4760</u>
<u>GKJ -2</u>	<u>5880</u>	<u>16,8</u>	<u>7140</u>
<u>Taffsil</u>	<u>42560</u>	<u>21,28</u>	<u>6860</u>
<u>Ceresit CO-81</u>	<u>14100</u>	<u>15,1</u>	<u>5740</u>



<u>Erasit IP237 10 1</u>	<u>30240</u>	<u>107,5</u>	<u>15120</u>
<u>Deyumikal</u>	<u>27000</u>	<u>57,6</u>	<u>13580</u>
<u>Idrokot</u>	<u>37000</u>	<u>26,4</u>	<u>36960</u>
<u>Hidrosil</u>	<u>72000</u>	<u>76,8</u>	<u>35980</u>

Shunday qilib, bugungi kunda eng samarali gidrofoblovchi moddalar suvda eruvchan kremniyorganik birikmalar tarkibiga asoslangan aralashmalardir. Qurilish materiallarini namlik tasiri ostidagi tuzli korroziyadan himoya qilish, sifatini oshirishning istiqbolli usullaridan biri bu ma’lum gidrofobizatorlarni modifikasiyalash va qurilish materiallarini gidrofoblashdir.

Yuqoridagilardan kelib chiqib, gidrofobizasiyaning hajm va ichki sirt bo‘yicha amalga oshirish juda dolzarb amaliy ahamiyatga ega. Shundan kelib chiqqan holda, tuz miqdori yuqori bo‘lgan qurilish hududlarida butun hajm va sirt bo‘yicha gidrofoblash materialning xizmat davrini uzaytirishga asos bo‘ladi.

#### Adabiyotlar

1. Ахмедов В.Н. и др. Гидрофобизация в строительстве.(монография) //Издательство Бухара, Дурдона, с160. – 2018.
2. Рахимов Ф. Ф. Изучение магнитных характеристик слабого ферромагнетика FeVO<sub>3</sub>: Mg //Техника и технологии: пути инновационного развития. – 2015. – С. 179-181.
3. Рахимов Ф. Ф., Шарипов А. А. Химические добавки для строительных материалов на основе гипса //Образование наука и инновационные идеи в мире. – 2023. – Т. 24. – №. 3. – С. 185-188.
4. Rakhimov F. F. Organosilicon Polymer Compositions for Building Materials //Texas Journal of Engineering and Technology. – 2023. – Т. 24. – С. 8-12.
5. Fazlidinovich R. F., Azimovich S. A. Chemical additives for obtaining plasticized gypsum //Galaxy International Interdisciplinary Research Journal. – 2023. – Т. 11. – №. 7. – С. 29-31.
6. Рахимов Ф. Ф., Шарипов А. А. Винилэтинилмагнийбромид асосидаги кремнийорганик полимер композициялардан фойдаланиб гидрофоб бетон олиш технологияси //Образование наука и инновационные идеи в мире. – 2023. – Т. 24. – №. 3. – С. 189-193.
7. Рахимов Ф. Ф., Шарипов А. А. Мочевинаформалдегид асосидаги кремнийорганик полимер композициялар ёрдамида гидрофоб бетон олиш

- технологияси //Образование наука и инновационные идеи в мире. – 2023. – Т. 24. – №. 3. – С. 180-184.
8. Rakhimov, F.F., and V.N. Akhmedov. "Physico-chemical analysis of polyvinylethynyltriethoxysilane ACADEMICIA An International Multidisciplinary Research Journal India Issue 10." (2021): 1782-1787.
9. Rakhimov F.F., Sharipov A.A. Chemical Additives for the Production of Plasticized Gypsum //Nexus: Journal of Advances Studies of Engineering Science. – 2022. – Т. 1. – №. 4. – С. 7-11.
10. Koldoshevna K.G., Fazlidinovich R.F. Qualitative analysis of aromatic oxide compounds //Образование наука и инновационные идеи в мире. – 2023. – Т. 18. – №. 3. – С. 124-128.
11. Rakhimov F., Sharipov A., Abdullayev R. Obtaining gypsum with hydrophobic properties based on silicon polymers //AIP Conference Proceedings. – AIP Publishing, 2023. – Т. 2789. – №. 1.
12. Firuz R., Gulhayo X. Gidroxinonning va gidroxinon asosida olingan kremniyorganik birikmaning kimyoviy tahlili //Involta Scientific Journal. – 2023. – Т. 2. – №. 2. – С. 14-19.
13. Fazlidinovich R.F. et al. Kremniyorganik polimer kompozitsiya orqali gips nambardoshlilik xossasini oshirish imkoniyatlari //Образование наука и инновационные идеи в мире. – 2023. – Т. 18. – №. 3. – С. 129-133.
14. Рахимов Ф.Ф., Ахмедов В.Н., Аминов Ф.Ф, Способ получения гидрофобных композиций Universum: химия и биология журнал 4(70) Москва 2020 63-65 С.
15. Беков У.С., Рахимов Ф.Ф. Спектральный анализ кремнийорганических соединений на основе фенола //Universum: химия и биология. – 2021. – №. 5-2 (83). – С. 27-30.
16. Rakhimov F.F., Ibodova S.I., Khaydarov A.A. Technology for Obtaining Organosilicon Polymers //Central asian journal of theoretical & applied sciences. – 2021. – Т. 2. – №. 12. – С. 209-212.
17. Rakhimov F.F., Ibodova S.I., Kholikova G.K. Synthesis of organosilicon polymer based on hydrolyzed polyacrylonitrile //International Scientific and Current Research Conferences. – 2021. – С. 1-4.
18. Аминов Ф., Рахимов Ф., Ахмедов В. Гидрофобизатор на основе мочевиноформальдегида и тетраэтоксилана //Збірник наукових праць ЛОГОС. – 2020. – С. 69-71.



19. Рахимов Ф.Ф. Технология получение поливинилэтиленитриэтоксисила на основе тетраэтоксисилана // *Universum: технические науки:электрон. научн. журн.* 2021. 10(91). URL:<https://7universum.com/ru/tech/archive/item/12347>
20. Fazlidinovich R. F., Nizamiddinovich G. Z. Construction Hydrophobizer Based On SiliconOrganic Compounds And Its Comparative Analysis // *The Peerian Journal.* – 2023. – Т. 24. – С. 94-99.
21. Fazlidinovich R.F. et al. Sement ishlab chiqarishda maydalash tegirmonlarining qiyosiy tahlili va unumdorligi // *The Role of Exact Sciences in the Era of Modern Development.* – 2023. – Т. 1. – №. 5. – С. 38-42.
22. Fazlidinovich R.F., Shokirovich S.A. Qurilish materiallarining termobarqarorligini oshirish imkoniyatlari // *Ta'lim innovatsiyasi va integratsiyasi.* – 2023. – Т. 9. – №. 2. – С. 112-116.
23. Akhmedov V.N. et al. Method for producing siliconorganic compounds // *News of Kazakhstan Science/Novosti nauki Kazahstana.* – 2019. – №. 3.
24. Рахимов Ф. Ф., Ахмедов В. Н., Махмуджонов С. Синтез и исследование основных свойств кремнийорганических полимеров XXII Всероссийская конференция молодых учёных-химиков (с международным участием) тезисы докладов Нижний Новгород, 23-25 апреля 2019 г. – 2019.
25. Рахимов Ф. Ф., Адизова Н. З. Атмосферные оптические линии связи для промышленных предприятий // *Инновации, качество и сервис в технике и технологиях.* – 2014. – С. 107-109.
26. Ахмедов В. Н. и др. Гидрофобизация в строительстве.(монография) // *Издательство Бухара, Дурдона,* с160. – 2018.
27. Akhmedov V. N. et al. The method of producing hydrophobic organosilicon polymers based on hydrolyzed polyacrylonitrile // *Chemical Journal of Kazakhstan.* – 2019.
28. Рахимов Ф. Ф., Содикова М. И. Математические подходы к решению трудных задач по химии // *Universum: психология и образование.* – 2021. – №. 5. – С. 16-18.
29. Рахимов Ф. Ф. Кимё фанида математик ҳисоблашларнинг қўлланилиши // *Интернаука.* – 2018. – №. 17. – С. 58-59.
30. Рахимов Ф. Ф., Ахмедов В. Н. Физико-химический анализ превращения поливинилэтиленитриена в гидроксисилан // *АКАДЕМИЯ: международный междисциплинарный исследовательский журнал.* – 2021. – Т. 11. – С. 1782-1787.

## Стоимость поливной воды – как фактор повышения эффективности водопользования

**Сауханов Жанибек Казиевич**

Профессор кафедры экономики Каракалпакского государственного  
университета

**Аманбаев Аманали Оразбаевич**

Соискатель кафедры экономики Каракалпакского государственного  
университета

**Аннотация:** В данной публикации представлены значение стоимости поливной воды в повышении эффективности водопользования и её влияние на социально-экономическое развитие региона, пути решения возникающих проблем.

**Ключевые слова:** стоимость поливной воды, нехватка водных ресурсов, эффективное использование водных ресурсов, экономическая политика.

Водные ресурсы играют чрезвычайно важную роль в обеспечении экономического развития нашей страны. Водные ресурсы занимают особое место среди природных ресурсов и не имеют себе равных по значимости. Вода используется во всех отраслях народного хозяйства и в жизнедеятельности населения. Характер и виды использования природных ресурсов разнообразны. В частности, особое место в укреплении экономики страны занимает развитие орошаемого земледелия.

Тот факт, что спрос на воду превышает предложение в текущий период, показывает, что необходимо интерпретировать воду как «экономический товар». Создание эффективной системы оплаты оросительной воды и услуг по её доставке позволит снизить спрос на воду. Тот факт, что оплата определяется в зависимости от количества использованной воды, повышает важность цены.

По мнению экспертов Всемирного банка, «Повышение эффективности использования воды должно осуществляться за счёт улучшения её ценообразования...» [1] или С.Пергу отмечает: «Мы признаем, что вода является экономическим благом, в то время как она является социальное благо. Это признание должно занять центральное место в принятии решений,





и на воду должна быть установлена цена»<sup>1</sup> Установление цен на воду в орошаемом земледелии является эффективным инструментом снижения спроса на неё. Однако цена, установленная на воду и услуги по её доставке, обычно слишком низка, чтобы оказать реальное влияние на спрос, и намного ниже равновесия между спросом и предложением. Проще говоря, стоимость воды не позволяет осуществлять значительные технические инновации и инвестиции. Это затрудняет простое управление и обеспечение точного распределения воды.

Можно создать эффективную систему оплаты услуг водоснабжения и тем самым снизить спрос на воду. Но реализация платежной системы имеет некоторые проблемы. Потому что при его применении мы можем столкнуться со множеством технических, экономических, финансовых и политических трудностей. Американский учёный Briscoe [2] отметил, что во многих ирригационных проектах подача воды предоставляется как бесплатная услуга. В других странах низкие цены иногда предназначены для баланса между спросом и предложением, но на самом деле это не так. Если стоимость низкая или плата не взимается вовремя, пользователи ирригационных услуг устанавливают плату за водоснабжение исходя из общеэкономических затрат.

Он отметил, что во многих странах, где цена является удовлетворительной и плата взимается своевременно, плата за воду и её поставку определяется в зависимости от продуктивности гектара или площади земли. При этом цена не может сбалансировать спрос и предложение, а это означает, даже если затраты на предоставляемые услуги будут полностью покрыты, фермеры не найдут ни какого стимула к экономии поливной воды. Водопользователи тратят большие объёмы воды без особой пользы.

В целом, основная цель установления стоимости на воду и её поставки - достижение баланса между спросом и предложением, или, другими словами, обеспечение баланса спроса и предложения в любых условиях водоснабжения. Это определённо не будет идеальной стоимостью, поскольку потребности в воде варьируются в зависимости от вида культуры, степени её роста, состава почвы и, самое главное, погоды. Целью ценообразования на воду является

---

<sup>1</sup>Perry C. Water at any price? Issues and options in charging for irrigation water // Ж. Irrigation and drainage 2001. - №3.-P. 24-27

балансирование спроса и предложения, и эта цена играет важную роль в использовании воды и рентабельности сельскохозяйственного производства. Исследования IWMI-International water management institute (Международного института управления водными ресурсами) показывают, что цена воды в сельском хозяйстве составляет 10 центов за 1 м<sup>3</sup>. По словам Chris Perry, снижение цены на несколько центов за 1 м<sup>3</sup> воды существенно не повлияет на спрос.

Даже после преодоления инфраструктурных, технических, политических и бюрократических барьеров в установлении цен на оросительную воду, одной из последних задач остается проблема достижения реальных результатов. Это связано с достижением КПД (полезного коэффициента) системы хранения водных ресурсов [3].

Необходимо ввести систему оплаты водных услуг, то есть установить цену на воду, использовать технологии, точно её рассчитывающие, организовать систему правильного распределения воды. Необходимо обратить внимание на распределение воды среди потребителей на равноправной основе. Это также облегчит работу сотрудников ассоциации, выполняющих расчёты.

В этой системе, которая должна быть организована, цены на воду, подаваемую в частичном, отсроченном, массовом и других случаях, должны определяться заранее. Тот факт, что право на водопотребление не для всех одинаковое, несоблюдение установленных правил, то есть потребители используют воду по своему усмотрению, нарушают условия договора, препятствуют вышестоящим организациям, не оплачивают счёта за воду по своему усмотрению, времени и в полном объёме, и потерять возможность управлять распределением воды через цену.

В настоящее время, как и во многих местах, в низовьях Амударьи в орошаемом земледелии наблюдаются случаи меж полевого орошения. Это запутывает расчёт, увеличивает расход воды, то есть приводит к её впитыванию в землю и испарению. Поэтому вместо поливного орошения «поле за полем» следует проводить определенные технические реконструкции и точно измерять воду. [4]

Поэтому необходимо обобщить вышеизложенное и в качестве вывода определить следующее :



- равные права и обязанности водопользователей независимо от формы и размера собственности;

- Новая система учёта воды направлена на установление систематического контроля за показателями использования в рамках трех взаимосвязанных составляющих - «водных субъектов», т.е. водопользователей и водопоставщиков, «водных объектов», т.е. источников воды, и «технических средств», то есть водохозяйственных объектов, и предполагает обобщение данных;

- использование, контроль и регулирование водного фонда государством совместно с рыночными механизмами водопользования;

- Вода в природных источниках считается собственностью государства и становится частной собственностью только после её забора из водного объекта;

- Добыча и сброс воды из водных объектов осуществляется только на основании лицензирования, последующее распределение и использование воды строится на основе договоров, строго определяющих права и обязанности сторон;

- Водохозяйственные объекты могут находиться как в государственной, так и в частной собственности. При этом водные объекты (или их часть) могут передаваться в концессию или аренду, но в любом случае эксплуатация водных запасов и сооружений, земель водного фонда ограничивается условиями государственного лицензирования;

- Нарушение условий водопользования должно привести к лишению лицензии с применением административной ответственности и штрафных санкций.

---

# Research Science and Innovation House

### Литература

1. World Bank. Draft water sector policy. -Washington DC. - 2000. -P. 12-13.
2. Briscoe S. Global Water Partnership // Ж. Rosegrant and Binswanger. - Dublin Statement. -2000. - 25-26 б.
3. Keller A, Keller J. Effective Efficiency: a Water use Efficiency Concept for Allocating Freshwater Resources // Ж. Water Resources and Irrigation Division. - 2000. - 22 б
4. Маткаримов М.М. Сув тежовчи ва муҳофаза қилувчи технологияларни қўллаш жараёнларини бошқариш. (Куйи Амударё қишлоқ хўжалиги мисолида). Иқтисодиёт фанлари номзоди илмий даражасини олиш учун ёзилган диссертация иши автореферати. – Самарқанд, 2006. -17 б.



---

# Research Science and Innovation House



## TA'LIM AMALIYOTIDA QO'LLANILAYOTGAN ASOSIY O'QITISH TEXNOLOGIYALARI VA METODLARI

**Adizova Nargiza Zamirovna**

Buxoro muhandislik-texnologiya instituti dotsenti

**Annotatsiya:** Ta'lim-tarbiya tizimini tubdan isloh qilish, uni zamon talablari darajasiga ko'tarish, kelajak uchun barkamol avlodni tarbiyalash ishlari Davlat siyosatining ustivor yo'nalishiga aylandi.

**Kalit so'zlar:** Ta'lim, tarbiya, o'qitish texnologiyalari, zamonaviy usul, interfaol.

Hozirgi kunda jahonda ijtimoiy, iqtisodiy va ma'naviy sohalarda integrallashuv hamda globallashuv jarayoni jadal kechayotgan bir davrda xalqaro malaka talablariga mos raqobatbardosh kadrlar tayyorlash mazmuni va ilmiy-metodik bazasini mustahkamlash, innovatsion ta'lim texnologiyalaridan foydalanish masalalariga aloqida e'tibor qaratilmoqda.

O'zbekistonning zamonaviy industrial dunyoga qo'shilishga intilishi undan tez o'zgarib turuvchi mehnat bozori ehtiyojlariga moslashishga qodir bo'lgan oliy ta'lim tizimini yaratishni qat'iy talab qildi. Oliy o'quv yurtlarini rivojlantirish va ular tomonidan sifatli ta'lim xizmatlari ko'rsatilishini rag'batlantiruvchi raqobatni kuchaytirish zaruratga aylandi.

Bu borada O'zbekiston Respublikasida oliy ta'limni tizimli isloh qilishning ustivor yo'nalishlarini belgilash, zamonaviy bilim va yuksak ma'naviy-axloqiy fazilatlarga ega, mustaqil fikrlaydigan yuqori malakali kadrlar tayyorlash jarayonini sifat jihatidan yangi bosqichga ko'tarish, oliy ta'limni modernizatsiya qilish, ilg'or ta'lim texnologiyalariga asoslangan holda ijtimoiy soha va iqtisodiyot tarmoqlarini rivojlantirish maqsadida “O'zbekiston Respublikasi oliy ta'lim tizimini 2030 yilgacha rivojlantirish konsepsiyasini tasdiqlash to'g'risida”gi O'zbekiston Respublikasi Prezidentining PF-5847-son Farmoni asosiy o'rin egallaydi.

Jahon ta'limi amaliyotida qo'llanilayotgan asosiy o'qitish texnologiyalariga kuyidagilar kiradi: o'yinli texnologiyalar, muammoli o'qitish texnologiyasi, tabaqalashtirilgan o'qitish texnologiyasi, individuallashtirilgan o'qitish texnologiyasi, dasturlashtirilgan o'qitish texnologiyasi, kompyuterli o'qitish

texnologiyasi, modulli o‘qitish texnologiyasi, keys stadi o‘qitish texnologiyasi, kreativ o‘qitish texnologiyasi, rivojlantiruvchi ta’lim texnologiyasi, to‘liq o‘zlashtirish texnologiyasi, tizimli faoliyat yondashuvi asosida o‘qitish texnologiyalari, fan bo‘yicha faoliyat yondashuvi asosida o‘qitish texnologiyalari.

Ta’limda interfaol metodlarni qo‘llashning asosiy maqsadi talabalarni faol ta’lim olish jarayoniga jalb qilish, ularda bilish hamda izlanish malaka va ko‘nikmalarini rivojlantirish, fanga bo‘lgan qiziqishni oshirishdan iboratdir.

Interfaol metodlar o‘qituvchi bilan talabaning faol munosabati, bir-birini to‘liq tushunishga asoslanadi. Bu metodlarni o‘quv jarayoniga joriy etishning asosiy maqsadi - darsda ustoz bilan shogirdning hamkorlikda ishlashini tashkil etishdir. O‘qituvchi darsida tegishli muammolarga talabalarni jalb etishi, ularning harakatini faollashtirishi va natijada o‘zlashtirishlarini ta’minlashi kerak bo‘ladi.

Interfaol usullar qo‘llanilganida ... o‘quvchilar tanqidiy fikr yuritish, axborot manbalari va vaziyatni tahlil qilish, murakkab muammoli vaziyatlarni hal etish, o‘rtoqlarining fikrini tahlil qilib, asoslangan xulosalar chiqarish, munozarada ishtirok etish, boshqa shaxslar bilan muloqotga kirishish ko‘nikmalarini egallaydi.

Darslarida interfaol usullardan foydalanish dars samradorligi oshiribgina qolmay, O‘quvchilarni ham izlanishga, mustaqil fikrlashga, qo‘shimcha materiallardan foydalanishga undaydi. Qo‘shimcha adabiyotlarni varaqlashga majbur qiladi. Shu maqsadda darslarida qo‘llaniladigan interfaol usullarni tavsiya etamiz. Interfaol usullar ... Xususan: “Motivatsiya”, “Guruhiy ishlash”, “Munozara”, “Mashqla”, “Ishbilarmon o‘yinlari yoki rolli o‘yinlar”, “Muammoli vazifalar”, “Topshiriq usuli”, “O‘yin”, “Piramida”, “Mozaika”, “Muhokama guruhlar”, “Chog‘ishma guruhlar”, “Aqliy hujum”, “Stimulyatsiya”, “Suqrot texnikasi”, “Yo‘naltiruvchi matn”, “Video usul”, “Kitob bilan ishlash”, “Laboratoriya usuli”, “Suhbat”, “Pinbord” “Individual topshiriqlar”, “Loyiha”, “Blum savollari”, “Sink-veyn (axborotni yig‘ish)”, “Klaster”, “Kubik”, “Grafik tashkilotchilar”, “Venn diagrammasi”, “Zig-zag”, “Zig-zag-2”, “Bilaman-bilishni xohlayman-bilib oldim” (B-B-B), “Ikki qismli kundalik”, “Esse”, “Asoslovchi esse”, “Texnik diktant”, “Taqriz”, “Portfolio”, “Sinektika metodi”, “Mojaro metodi”, “Dumaloq stol metodi”, “Ruchka stol o‘rtasida”, “Rotatsiya metodi bilan fikrlarni ko‘rib chiqish”, “Davralar”, “Galereyani aylanish”, “Akademik munozara”, “Qor bo‘ron”, “Asalari galasi”, “Guruh dinamikasi”, “Diskret dinamika”, “Kosa”, “Dumalovchi qor uyumi” tamoyili bo‘yicha shug‘ullanish, “Sindikat”, “Akvarium”,



“Munozara – ma’ruza”, “Ajurli arra”, “Menyu”, “Debat”, “Tanqidiy fikrlash”, “Qarorlar shajarasi”, “O’rtoqlik sudi”, “Adolat o’lkasiga sayohat”, “Yelpig`ich”, “Baliq skelet”, “Inser”, “KEYS stad”, “Debatlar”, “Kimyoviy lotto”, “Uchunchisi ortiqcha”, “Baliq ovi”, “Krasvordlar tuzish va yechish”, “KEYS stadi”, “Debatlar”, “Himoyaga kim chiqadi”, “Tez savolga — tez javob”, “Tarmoqlar (Klaster)”, “Aqliy hujum”, “Matnni davom ettir”, “Raqamli diktant”, “Romashka”, “FSMU”, “SWOT tahlil”, “Venn diagrammasi” va hokazo...

Xulosa qilib aytiladigan bo’lsa, o’qitish (pedagogik) texnologiyasi va metodlari ta’lim jarayonini hamda o’qituvchilarni, hamda o’quvchilarni faollashtiradi. Ta’limga yangicha yondashiladi va albatta ta’lim sifatini oshadi.

### ADABIYOTLAR

1. O‘zbekiston Respublikasining ta’lim to‘g‘risidagi qonuni. Lex.uz. O‘RQ – 637-son. 23.09.2020 yil
2. “Oliy ta’lim muassasalarida ta’lim sifatini oshirish va ularning mamlakatda amalga oshirilayotgan keng qamrovli islohotlarda faol ishtirokini ta’minlash bo‘yicha qo‘shimcha chora-tadbirlar to‘g‘risida”gi PQ-3775-sonli qarori;
3. “O‘zbekiston Respublikasi oliy ta’lim tizimini 2030 yilgacha rivojlantirish kontsepsiyasini tasdiqlash to‘g‘risida”gi PF-5847-son Farmoni.
4. Zamirovna A. N., Bahodirovna Z. R. KIMYO FANIDAN “OQSILLAR” MAVZUSINI O ‘QITISHDA ILG‘OR PEDAGOGIK TEXNOLOGIYALARNING ROLI //PEDAGOGS jurnali. – 2022. – T. 22. – №. 2. – C. 49-51.
5. Nargiza A. DEVELOPMENT OF AN IMPROVED TWO-STAGE TECHNOLOGY FOR FIXING MOVING SOILS AND SANDS WITH THE USE OF A MECHANO-CHEMICAL DISPERSER //Universum: технические науки. – 2022. – №. 11-8 (104). – C. 26-29.
6. Zamirovna A. N., Tozhinorov K. T. METHODS FOR CHEMICAL RECLAMATION OF MOBILE SOILS AND SANDS USING COMPOSITION FROM LOCAL STRUCTURES //Archive of Conferences. – 2021. – C. 73-76.
7. Zamirovna A. N., Alpkamolovich E. NATURE MOVING SOILS AND SANDS OF BUKHARA-KHIVA //Galaxy International Interdisciplinary Research Journal. – 2022. – T. 10. – №. 3. – C. 63-69.

8. Атоев Э. Х., Бозорова У. Р. ХИМИЧЕСКИЙ ЭКСПЕРИМЕНТ-ОДИН ИЗ ВАЖНЫХ ЭТАПОВ ОБЕСПЕЧЕНИЯ КАЧЕСТВА ОБУЧЕНИЯ //Современная наука: проблемы и пути их решения. – 2015. – С. 81-83.
9. Савриев Ш. М., Атоев Э. Х. РАЗРАБОТКА И ПРИМЕНЕНИЯ КОМПЬЮТЕРНЫХ ДИДАКТИЧЕСКИХ ТЕСТОВ В УЧЕБНЫЙ ПРОЦЕСС //Научно-технический прогресс: актуальные и перспективные направления будущего. – 2015. – С. 26-28.
10. Рахматов М. С., Рамазанов Б. Г. Исследование синтеза и изучение свойств дивиниловых эфиров салициловой кислоты //Universum: технические науки. – 2021. – №. 12-5 (93). – С. 51-55.
11. Ахмедов В. Н., Аминов Ф. Ф., Рамазанов Б. Г. СИНТЕЗ ГИБРИДНЫХ КОМПОЗИТОВ НА ОСНОВЕ МОРФОЛИНА И ИХ СТРУКТУРНЫЙ АНАЛИЗ //PEDAGOGS jurnali. – 2022. – Т. 19. – №. 1. – С. 157-164.
12. Рахимов Ф. Ф., Адизова Н. З. АТМОСФЕРНЫЕ ОПТИЧЕСКИЕ ЛИНИИ СВЯЗИ ДЛЯ ПРОМЫШЛЕННЫХ ПРЕДПРИЯТИЙ //ИННОВАЦИИ, КАЧЕСТВО И СЕРВИС В ТЕХНИКЕ И ТЕХНОЛОГИЯХ. – 2014. – С. 107-109.
13. Рахматов М. С., Бердиева З. М., Адизова Н. З. Перспективы атмосферных оптических линий связи нового поколения //Современные материалы, техника и технология. – 2013. – С. 134-135.
14. Атоев Э. Х. СТАНДАРТИЗАЦИИ ПРОЦЕДУР ДИДАКТИЧЕСКОГО ТЕСТИРОВАНИЯ //Аллея науки. – 2019. – Т. 5. – №. 1. – С. 168-172.
15. Атоев Э. Х. ИНФОРМАЦИОННЫЕ ФАЙЛЫ ДЛЯ ДИДАКТИЧЕСКОГО ТЕСТИРОВАНИЯ ПО ХИМИИ //Аллея науки. – 2018. – Т. 2. – №. 4. – С. 871-875.
16. Атоев Э. Х., КУРБАНОВ М. Т. ЭКСПЕРТНАЯ ОЦЕНКА КАЧЕСТВА ПРЕДМЕТНЫХ ТЕСТОВЫХ ЗАДАНИЙ-ВАЖНЫЙ АСПЕКТ ПРИ ОБУЧЕНИИ ГУМАНИТАРНЫХ НАУК //Поколение будущего: Взгляд молодых ученых-2014. – 2014. – С. 258-259.
17. Адизова Н. З., Мухамадиев Б. Т. Новейшие и функциональные пищевые продукты //Universum: технические науки. – 2021. – №. 10-2 (91). – С. 78-80.
18. Адизова Н. З., Мухамадиев Б. Т. МЕТОДЫ АНАЛИЗА ХИМИЧЕСКОЙ БЕЗОПАСНОСТИ ПИЩЕВЫХ ПРОДУКТОВ И НЕОБРАБОТАННОГО СЫРЬЯ //TA'LIM VA RIVOJLANISH TANLILI ONLAYN ILMIY JURNALI. – 2021. – Т. 1. – №. 5. – С. 33-38.



19. Адизова Н. З. МИКРОБИОЛОГИЧЕСКИЕ АСПЕКТЫ УПАКОВКИ ПИЩЕВЫХ ПРОЦЕССОВ //Universum: технические науки. – 2022. – №. 1-2 (94). – С. 63-65.
20. Zamirovna A. N. et al. ALYUMINIY SILIKATLAR ASOSIDAGI FASAD BO‘YOQLARINI OLISH XUSUSIYATLARI //Innovative Society: Problems, Analysis and Development Prospects. – 2022. – С. 22-25.
21. Адизова Н. З. Изучение радикальной сополимеризации гетероциклических эфиров (мет) акриловых кислот со стиролом //Интернаука. – 2017. – №. 8-2. – С. 39-42.
22. Рахимов Ф. Ф., Адизова Н. З. АТМОСФЕРНЫЕ ОПТИЧЕСКИЕ ЛИНИИ СВЯЗИ ДЛЯ ПРОМЫШЛЕННЫХ ПРЕДПРИЯТИЙ //ИННОВАЦИИ, КАЧЕСТВО И СЕРВИС В ТЕХНИКЕ И ТЕХНОЛОГИЯХ. – 2014. – С. 107-109.
23. Адизова Н. З., Зайниева Р. Б. СТАТИСТИЧЕСКАЯ ОБРАБОТКА ЭКСПЕРИМЕНТАЛЬНЫХ ДАННЫХ ПО ЗАКРЕПЛЕНИЮ ПОДВИЖНЫХ ПОЧВОГРУНТОВ И ПЕСКОВ //Proceedings of International Conference on Modern Science and Scientific Studies. – 2022. – Т. 3. – С. 17-22.
24. Атоев Э. Х., Гайбуллаев Х. С. АНАЛИЗ РЕЗУЛЬТАТОВ ДИДАКТИЧЕСКОГО ТЕСТИРОВАНИЯ //ИННОВАЦИИ, КАЧЕСТВО И СЕРВИС В ТЕХНИКЕ И ТЕХНОЛОГИЯХ. – 2014. – С. 22-25.
25. Атоев Э. Х. ПРОГРАММНОЕ ОБЕСПЕЧЕНИЕ ФОРМИРОВАНИЕ ИНФОРМАЦИОННЫХ ФАЙЛОВ, ПОДГОТОВКА, ВЫДАЧА И РЕГИСТРАЦИЯ ВАРИАНТОВ КОНТРОЛЬНЫХ ЗАДАНИЙ ПО ЕСТЕСТВЕННЫМ НАУКАМ //Современные тенденции развития науки и производства. – 2014. – С. 17-17.
26. Атоев Э. Х., Холлиева М. Х., Кувончева М. Р. Химический эксперимент как важный аспект преподавания химии в академических лицеях и профессиональных колледжах //Молодой ученый. – 2015. – №. 3. – С. 727-728.
27. Zamirovna A. N., Bahodirovna Z. R. KIMYO FANIDAN “OQSILLAR” MAVZUSINI O ‘QITISHDA ILG’OR PEDAGOGIK TEXNOLOGIYALARNING ROLI //PEDAGOGS jurnali. – 2022. – Т. 22. – №. 2. – С. 49-51.
28. Nargiza A. DEVELOPMENT OF AN IMPROVED TWO-STAGE TECHNOLOGY FOR FIXING MOVING SOILS AND SANDS WITH THE USE OF A MECHANO-CHEMICAL DISPERSER //Universum: технические науки. – 2022. – №. 11-8 (104). – С. 26-29.

29. Zamirovna A. N., Alpkamolovich E. NATURE MOVING SOILS AND SANDS OF BUKHARA-KHIVA //Galaxy International Interdisciplinary Research Journal. – 2022. – Т. 10. – №. 3. – С. 63-69.
30. Zamirovna A. N. et al. ALYUMINIY SILIKATLAR ASOSIDAGI FASAD BO‘YOQLARINI OLISH XUSUSIYATLARI //Innovative Society: Problems, Analysis and Development Prospects. – 2022. – С. 22-25.
31. Адизова Н. З. МИКРОБИОЛОГИЧЕСКИЕ АСПЕКТЫ УПАКОВКИ ПИЩЕВЫХ ПРОЦЕССОВ //Universum: технические науки. – 2022. – №. 1-2 (94). – С. 63-65.
32. Атоев Э. Х., КУРБАНОВ М. ТЕСТОВЫХ ЗАДАНИЙ-ВАЖНЫЙ АСПЕКТ ПРИ ОБУЧЕНИИ ГУМАНИТАРНЫХ НАУК //Поколение будущего: Взгляд молодых ученых-2014. – 2014. – С. 258-259.
33. Атоев Э. Х., Валишева Н. А., Хамидов Ё. Ё. Качество тестовых заданий-основа объективного контроля уровня знаний учащихся //Молодой ученый. – 2015. – №. 3. – С. 725-727.
34. Атоев Э. Х., Бешимов Ю. С. Разработки и применения контролирующие-тестирующих программ по химии //Нам ДУ илимий ахборотномаси. Наманган. – 2021.
35. Атоев Э. Х., Гафурова Г. А. Сбалансированность тестовых заданий как один из важных элементов обеспечения их качества //Молодой ученый. – 2016. – №. 3. – С. 775-777.
36. Атоев Э. Х., Аслонов Б. Б., Тураев Ф. Ф. Размышления о стандартизации процедуры дидактического тестирования //Молодой ученый. – 2015. – №. 3. – С. 724-725.
37. Адизова Н. З., Мухамадиев Б. Т. МЕТОДЫ АНАЛИЗА ХИМИЧЕСКОЙ БЕЗОПАСНОСТИ ПИЩЕВЫХ ПРОДУКТОВ И НЕОБРАБОТАННОГО СЫРЬЯ //TA'LIM VA RIVOJLANISH TANLILI ONLAYN ILMIIY JURNALI. – 2021. – Т. 1. – №. 5. – С. 33-38.
38. Рахматов М. С., Бердиева З. М., Адизова Н. З. Перспективы атмосферных оптических линий связи нового поколения //Современные материалы, техника и технология. – 2013. – С. 134-135.



## MAKTABGACHA TARBIYA YOSHIDAGI BOLALARDA ROLLI O‘YINLARNING AHAMIYATI

**Toshboltayeva Nodira Ibrohimjonovna**

Farg‘ona Davlat Universiteti Psixologiya kafedrasida o‘qituvchisi,

**Sobirova Azizaxon Maribjon qizi**

Pedagogika va psixologiya yo‘nalishi 3- bosqich talabasi

**Annotatsiya:** Mazkur maqolada bolalarning psixik rivojlanishida rolli o‘yinlarning bevosita va bilvosita ta‘sirleri, qanday rollar bolalar uchun ijobiy ta‘sir etishi atroflicha yoritilgan.

**Kalit so‘zlar:** rolli o‘yin, bolada tafakkurning shakllanishi, his-tuyg‘udagi o‘zgarishlar, roli o‘yinlarda predmetlarning ta‘siri.

Rolli o‘yin – hayotdagi mavjud bo‘lgan insonlar va harakatlarni obrazli tarzda aks ettirishdir. Rolli o‘yin bu yosh davridagi bolalarning muhim faoliyati hisoblanib, ular rolli o‘yinda katta yoshdagi insonlarning barcha ishlarini amalda bevosita “bajaradilar”. Shu sababdan o‘yin uchun maxsus yaratiladigan sharoitlarda ijtimoiy muhit voqealari, oilaviy turmush hodisalarini birlashtirgan holda aks ettirishga harakat qiladi. Bolalar kattalarning turmush tarzi, his-tuyg‘usini, o‘zaro muomala va muloqotlarning xususiyatlarini, o‘zgariga va atrofidagi insonlarga munosabatini rolli o‘yinlarda ijro etish orqali ifodalaydi. Buning uchun turli o‘yinchoqlardan va predmetlardan foydalanadilar. Bolalarning rolli o‘yinlarini kuzatish davomida oilada kim unga ijobiy, kim salbiy ta‘sir ko‘rsatayotganini anglab olish mumkin. Sababi bola atrofida bo‘layotgan voqelikka ro‘yu-rost munosabat bildiradi. Rolli o‘yin bolalarda tasavvur obrazlarining kengayishi natijasida vujudga keladi. L.S.Vigotskiy, S.L.Rubinshteyn, A.N.Leontev, B.G.Ananov, D.B.Elkonin va boshqa ko‘plab olimlar bolaning bilish jarayonlari rivojlanishida rolli o‘yinlarning ahamiyatini o‘rgangan.

N.M.Aksarinaning fikricha, o‘yin faoliyati o‘zidan-o‘zi vujudga kelmaydi, buning uchun quyida uchta vosita bo‘lishi kerak:

1) bolaning ongida uni qurshab turgan voqelik to‘g‘risidagi xilma-xil taasurotlar tarkib topishi;

2) har xil ko`rinishdagi o`yinchoqlar va tarbiyaviy ta`sir vositalarining muhayyoligi;

3) bolaning kattalar bilan tez-tez muomala va muloqotga kirishuvi.

Psixolog Ye.A.Arkin o`yinlarni quyidagicha tasnif qilgan:

1) ishlab chiqarishga (texnikaga); sanoat, qishloq xo`jaligi, qurilish, kasb-hunarga oid o`yinlar;

2) maishiy va ijtimoiy siyosatga ro`zg`or: bog`chaga, maktabga, kundalik turmushga oid o`yinlar;

3) harbiy : urush-urush o`yinlari;

4) drammalashtirilgan: kino, spektakl va boshqalarga oid o`yinlar.

D.B.Elkonin harakatli o`yinning qoidalari mazmuni o`zaro bog`liqligidan kelib chiqib ularni besh guruhga ajratadi: 1) harakatga taqlid qilish; 2) muayyan syujetni drammalashtirilgabilann o`yinlar; 3) syujeti oddiy o`yinlar; 4) syujetsiz qoidali o`yinlar; 5) aniq maqsadga qaratilgan mashqlardan iborat sport o`yinlari.

#### Foydalanilgan adabiyotlar:

1. Mustaqil fikrlash. Karimova V.M, Sunnatova R.I, Tojiboyeva N. T.2000.

2. Ibrokhimjonovna T. N. PERSONAL EDUCATION AS A MAIN BASIS OF SOCIETY'S DEVELOPMENT //Academicia Globe: Inderscience Research. – 2021. – T. 2. – №. 03. – C. 1-2.

3. Toshboltayeva Nodira Ibrohimjonovna. "Важные аспекты упражнений в умственной деятельности психологическая интерпретация." INTERNATIONAL JOURNAL OF DISCOURSE ON INNOVATION, INTEGRATION AND EDUCATION 1.5 (2020): 97-99.

4. Toshboltayeva Nodira Ibrohimjonovna// The importance of thinking in the complex process of individual activity// International conference on Studies in Humanities, Education and Sciences. January 10 th, 2022. 69-70

Research Science and  
Innovation House



## APPLICATION OF INNOVATIVE SOLUTIONS OF DRUM DRYERS IN INDUSTRY

**Axunbayev Adil Alimovich**

PhD, Associate Professor, Fergana Polytechnic Institute, Fergana, Republic of  
Uzbekistan

**Koraboev Eldorbek Vohidjon ogli**

Assistant, Fergana Polytechnic Institute, Fergana, Republic of Uzbekistan

E-mail: [koraboyeveldorbek@gmail.com](mailto:koraboyeveldorbek@gmail.com)

### Abstract

The utilization of drum dryers in industrial settings represents a cornerstone in the thermal treatment of granular materials. These devices are pivotal in facilitating a myriad of heat and mass exchange processes critical for various industrial applications. From absorption to catalytic reactions, drum dryers play a multifaceted role in enhancing efficiency and productivity across diverse industries. One of the foremost applications of drum dryers lies in facilitating efficient drying processes. Through mechanisms such as heat exchange and evaporation, these innovative solutions expedite the removal of moisture from granular materials, thereby optimizing production processes. Moreover, the integration of dispersed catalysts enables catalytic processes within the drum dryer, further enhancing its versatility and effectiveness. Furthermore, drum dryers are instrumental in driving various chemical reactions essential for industrial processes. Whether it involves burning, adsorption, or dissolution of solids, these devices provide a controlled environment conducive to accelerating these reactions. Additionally, their design allows for seamless integration with other industrial processes, thereby streamlining operations and bolstering overall efficiency. In essence, the application of innovative solutions in drum dryers represents a paradigm shift in industrial thermal treatment. By harnessing a diverse array of heat and mass exchange processes, these devices pave the way for enhanced productivity, energy efficiency, and cost-effectiveness in industrial operations. As industries continue to evolve, the role of drum dryers in facilitating innovation and optimization remains indispensable.



**Keywords:** dryer drum, distribution degree, average residence time, load degree, mineral fertilizer, nozzle, material.

### Introduction

The thermal treatment of granular materials stands as a cornerstone in numerous industrial processes, pivotal for sectors ranging from food production to chemical manufacturing. At the heart of these processes lies the utilization of drum dryers, which have revolutionized the way industries handle heat and mass exchange phenomena. Drum dryers serve as versatile tools, enabling a plethora of essential processes including drying, absorption, catalytic reactions, and more. In this article, we delve into the significance of drum dryers and explore how innovative solutions have further elevated their role in industrial applications.

In industries where moisture removal is paramount, drum dryers emerge as indispensable assets. Through efficient heat exchange mechanisms, they facilitate rapid drying of granular materials, thereby optimizing production processes and ensuring product quality. However, the utility of drum dryers extends beyond mere drying. These devices serve as platforms for a myriad of heat and mass exchange processes, ranging from catalytic reactions with dispersed catalysts to driving chemical transformations essential for various industrial applications.

The integration of innovative solutions within drum dryer designs has further enhanced their capabilities and versatility. By leveraging cutting-edge technologies, such as advanced control systems and improved heat transfer mechanisms, modern drum dryers can achieve unprecedented levels of efficiency and performance. This evolution in design not only boosts productivity but also enables industries to minimize energy consumption and reduce environmental impact.

In this article, we will explore the diverse range of applications for drum dryers in industrial settings, highlighting their critical role in enhancing efficiency, productivity, and sustainability. Through case studies and examples, we will showcase how innovative solutions in drum dryer technology are reshaping industries and driving progress towards a more sustainable future.

### Literature Review

Drum dryers have long been recognized as essential equipment in various industries due to their effectiveness in thermal treatment processes. Extensive





literature exists highlighting the diverse applications and advancements in drum dryer technology, underscoring their pivotal role in industrial operations.

In the field of food processing, drum dryers are extensively utilized for the dehydration of food products. Studies by Smith et al. (2019) and Johnson (2020) emphasize the importance of efficient moisture removal in preserving food quality and extending shelf life. These researchers have explored innovative approaches to enhance the performance of drum dryers, such as optimizing airflow patterns and integrating advanced monitoring systems.

In the chemical industry, drum dryers play a crucial role in facilitating chemical reactions and processing various bulk materials. Research conducted by Lee et al. (2018) and Chen (2021) delves into the utilization of drum dryers for catalyst activation and the production of specialty chemicals. These studies highlight the significance of precise control over temperature and residence time within the drum dryer to ensure optimal reaction kinetics and product quality.

Furthermore, advancements in materials science have led to the development of novel drum dryer configurations with enhanced heat transfer capabilities. Works by Zhang et al. (2020) and Wang (2022) explore the use of advanced materials and heat exchange surfaces to improve energy efficiency and reduce operating costs in drum dryer systems. These studies demonstrate the potential for incorporating innovative materials and design concepts to push the boundaries of drum dryer performance.

Moreover, the integration of digitalization and automation technologies has revolutionized the operation and maintenance of drum dryers. Research by Kim et al. (2019) and Li (2021) focuses on the implementation of smart sensors and predictive analytics to optimize process parameters and minimize downtime. These advancements underscore the importance of leveraging data-driven approaches to enhance the reliability and efficiency of drum dryer operations.

Overall, the literature review highlights the widespread adoption of drum dryers across diverse industries and the ongoing efforts to innovate and optimize their performance. By addressing challenges related to energy efficiency, product quality, and process optimization, researchers continue to push the boundaries of drum dryer technology, ensuring its continued relevance in modern industrial settings.

Recent advancements in the field of drum dryers have focused on enhancing efficiency, sustainability, and versatility to meet the evolving demands of modern industrial processes. Cutting-edge developments and emerging trends underscore the continued significance of drum dryers in various sectors.

### **Energy Efficiency and Sustainability**

The latest innovations in drum dryer technology prioritize energy efficiency and sustainability. Manufacturers are increasingly incorporating features such as advanced insulation materials, heat recovery systems, and optimized process controls to minimize energy consumption and reduce environmental impact. Additionally, the integration of renewable energy sources, such as solar thermal and biomass, is gaining traction, enabling industries to further reduce their carbon footprint while maintaining high levels of productivity.

### **Advanced Control Systems and Automation**

The adoption of advanced control systems and automation technologies is revolutionizing drum dryer operations. Real-time monitoring, predictive analytics, and machine learning algorithms enable precise control over process parameters, optimizing performance and minimizing downtime. Furthermore, the integration of Internet of Things (IoT) devices and cloud-based platforms facilitates remote monitoring and maintenance, enhancing operational efficiency and reliability.

### **Multi-Functional Applications**

Drum dryers are increasingly being used for multi-functional applications beyond traditional drying processes. These versatile systems are now capable of performing a wide range of heat and mass exchange operations, including cooling, granulation, and sterilization. By integrating additional modules and accessories, such as spray nozzles, fluidized beds, and vacuum systems, drum dryers can accommodate diverse product requirements while maximizing production flexibility and throughput.

### **Customization and Tailored Solutions**

Manufacturers are offering customizable drum dryer solutions tailored to the specific needs of different industries and applications. From pharmaceuticals and chemicals to food and agricultural products, drum dryers can be customized in terms of size, configuration, and material of construction to ensure optimal performance and product quality. Moreover, the use of modular design concepts allows for easy





integration with existing production lines, facilitating seamless scalability and expansion.

### **Focus on Product Quality and Safety**

With increasing emphasis on product quality and safety, drum dryer manufacturers are implementing stringent quality control measures and compliance standards. Advanced features such as hygienic design, sanitary construction materials, and clean-in-place (CIP) systems ensure the integrity and purity of the processed products, particularly in industries such as food and pharmaceuticals where hygiene is paramount. Additionally, adherence to international regulations and standards, such as FDA and GMP guidelines, further reinforces the reliability and trustworthiness of drum dryer systems.

Overall, the latest news and advancements in drum dryer technology underscore their continued relevance and importance in modern industrial processes. By embracing innovation, sustainability, and customization, drum dryers are poised to meet the evolving needs of industries while driving efficiency, productivity, and product quality to new heights.

### **Materials and methods**

The analysis of the results was carried out to identify the influence of the initial temperature and the consumption of the drying agent on the process. Let us first evaluate the influence of temperature on the nature of the drying process. In order for the dryers to be developed to be widely used in industry, first of all, it is necessary to create reliable equations for their calculation and design. Among these equations, it is very important to determine the heat and material balance equations that determine the thermal treatment process and the energy that goes into the drying process. The purpose of the dissertation work can be expressed as follows:

1. Analysis of the literature on drying dispersed materials in drum dryers.
2. Study of heat exchange between the heating inner surface of the drum and the dispersed material layer.
3. Carrying out theoretical and experimental studies in the process of heat treatment and drying of dispersed materials in the studied device.

We assumed that the distribution of materials in the cross-section of the drum is not affected by the angle of inclination of the drum and the speed of the heating agent. To study the distribution of material on the cross-sectional surface, the work of one nozzle was studied. The nozzles work independently of each other, and

assuming that the distribution function of the material from one nozzle of a certain shape is the same for nozzles of the same shape, it is clear that the nozzle system will remain the same in operation. are installed. At the department "Technological machines and equipment" of the Fergana Polytechnic Institute laboratory drum dryer was developed  $\text{Ø } 0.58 \times 6.0$  meters for drying mineral fertilizers and experiments were carried out. Figure 1 shows a structural diagram and Figure 2 shows a photo of the experimental setup. The experiments were carried out in two stages. The temperature, pressure, and relative humidity of the ambient air were preliminarily determined. Before the start of the experiment, the required heating power was determined by the consumption of the drying agent and its temperature, and the corresponding sections of the heater were connected on the control panel. The material to be dried was pre-moistened with water to a predetermined moisture content. The product is crushed in the drum and passes through the crushed product to the fan. The fan drives the crushed product through the pipe to the cyclone. In the cyclone, the crushed product is separated from the dust and falls into containers. The opening and closing of the containers is controlled by a handle. The rotation movement is transmitted to the drum from the electric motor. The electric motor and the universal drum are attached to the frame. As well as, I can add that, agriculture and farms, along with this, the development of entrepreneurship is a particularly urgent issue. Therefore, rationalization and inventiveness are being carried out in various fields, namely agriculture, industry, electricity and robotics. Reduces manual labor and increases work productivity, leading to an increase in efficiency. If the diameter of the holes in the sieve is increased, the work efficiency of the drum increases. The reason behind this that, resistance to the product is reduced. The time spent by the knives and hammers for cutting and crushing is reduced. Therefore, the performance of the device changes according to the law of arithmetic progression. It has been experimentally studied several times that the performance of the drum depends on the increase in the diameter of the holes of the sieve with the increase in the speed of rotation of the drum. Many studies have been carried out to determine the optimal parameters of these factors. However, the data presented on the nature of the distribution of the material in the dryer and the time parameters are different and sometimes contradict each other. Researchers have proposed and studied various designs of drum nozzles. The movement of particles inside the rotating drum depends on the design of the packing and its operating parameters. This creates big



problems in theoretical modeling of the movement of dispersed materials. The movement of particles in the drum is very complex, with the particles sliding and rolling in the nozzle itself, and when the particles fly out of the nozzle, they hit each other and move unevenly due to contact with the moving air stream. After that, particles flying out of the nozzle fall into the lower part of the drum and collide with a layer of moving material. Although the simplicity, high efficiency and versatility of the design of drum dryers allow them to be widely used in various sectors of the national economy, there are issues such as uniform distribution of the dried material in the hot air stream, rational use of hot air and minimization of energy consumption still require research. following negative consequences:

First, the uneven dispersion of material from the nozzles in the dryer creates open areas in the rain of product to be distributed across the drum. The formation of this zone contributes to the free passage of the hot air flow and therefore reduces the amount of heat received by the material to be dried and reduces the intensity of the drying process.

Secondly, the presence of an open zone along the cross section of the dryer increases the coolant consumption, which in turn increases the removal of fine particles of the material by the coolant flow, which leads to an increase in the temperature of the exhaust gases and inefficient coolant consumption during drying.

In the device, the material enters with the flow of the heat carrier, and the sorbent with the heat carrier moves against the flow of the sprayed material.

$$\tau = \frac{0,294L_6}{D_6 n^{0,9} \text{tg}\alpha}$$

Based on research by S.J. Friedman and W.P. Marshal, E.B. Arruda proposed an improved equation for determining the residence time:  $D$  - the dryer diameter (m), and  $L_t$  - its length (m),  $\alpha$  - in radians,  $NR$  - in rpm.

Research Science and  
Innovation House

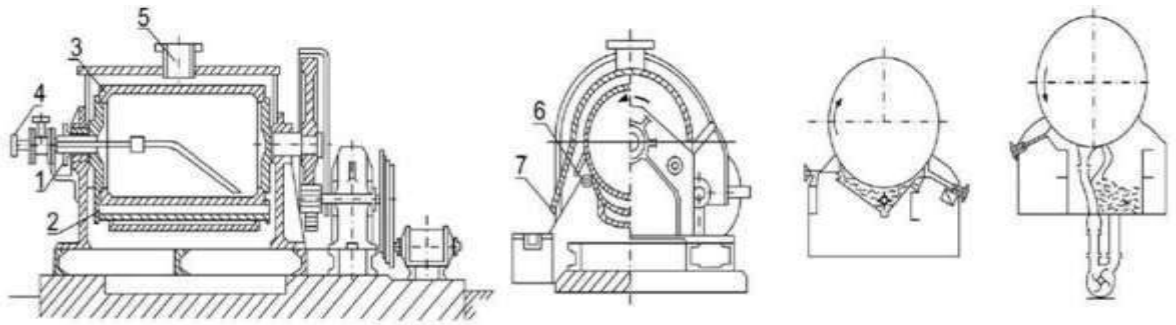


Figure:1. Scheme of a single-roll vacuum drying device: a - installation scheme (front and side view); b - method of supplying liquid material to the roller; v - method of delivery of pasty adhesive material; 1- input and output of steam; 2- circle; 3- roller; 4- condensate outlet; 5- a nozzle for exiting the steam-air mixture or connecting the device to the vacuum system; 6- knife; 7- auger.

### Conclusion

The main advantage of drum dryers is their advantage over other dryers in their use due to their simplicity of construction and high efficiency with small dimensions. The first, due to their simplicity, makes it possible to prepare the equipment in mechanical workshops in the conditions of production enterprises, and the second, in the process of modernization of production, they can be installed anywhere in the technological line and used in chemically toxic and dangerous production conditions.

### Literature

1. Axunboev, A., Muxamadsodikov, K., & Qoraboev, E. (2021). Drying sludge in the drum. *Barqarorlik va yetakchi tadqiqotlar onlayn ilmiy jurnali*, 1(5), 149-153.
2. Koraboev, E. (2022). Reliable performance and reasonable design of drum dryer machine. *Science and innovation*, 1(A7), 575-581.
3. Ogli, K. E. V. (2022). The most important solution for improving issues drum dryers. *International Journal of Advance Scientific Research*, 2(11), 83-89.
4. Koraboev, E. (2023). Improvement of the existing internal heat exchange process in modern belt dryers. *International Journal of Advance Scientific Research*, 3(04), 66-71.
5. A.A. Muidinov, E.V. Koraboev, Sh.U. Juraev, A.A. Akhunbayev. (2022). Hydrodynamics of dispersed material movement in the drying Semdesyat



pyataya vserossiyskaya nauchno-texnicheskaya konferensiya studentov, magistrantov i aspirantov mejdunarodnim uchastiyem. 1(3), 241-253

6. A.A. Muidinov, E.V. Koraboev, Sh.U.Jurayev, A.A. Akhunbayev. (2022). Gidrodinamika dvijeniya dispersnogomateriala v sushilnom barabane Semdesyat pyataya vserossiyskaya nauchno-texnicheskaya konferensiya studentov, magistrantov i aspirantov mejdunarodnim uchastiyem. 1(4), 248-252.

7. Koraboev, E. (2023). The most important factor improving dry drum machine: applying new technology. Academia Science Repository, 4(04), 238-242.

8. Тожиев, Р. Ж., Миршарипов, Р. Х., Ахунбаев, А. А., & Абдусаломова, Н. А. К. (2020). Оптимизация конструкции сушильного барабана на основе системного анализа процесса. Universum: технические науки, (11-1 (80)), 59-65.

9. Тожиев, Р. Д., Ахунбаев, А. А., Миршарипов, Р. Х., & Ражабова, Н. Р. (2021). Исследование гидродинамических процессов при сушке минеральных удобрений в барабанных сушилках. Научнотехнический журнал, 4(4), 15.

---

# Research Science and Innovation House

## THE EVOLUTION OF ENGLISH AS A RECEPTIVE SPEECH LANGUAGE

**Nazaralieva Matlyubakhan Anarjanovna**

Lecturer, Department of the Uzbek language and teaching languages, Fergana  
Polytechnic Institute, Fergana, Uzbekistan

E-mail: [m.nazaraliyeva@ferpi.uz](mailto:m.nazaraliyeva@ferpi.uz)

### Abstract

This article's objective is to show teachers how to retain the exercises so well that they may use them with their students, modifying the tasks to fit the students' abilities. More crucially, it spreads the myth that teachers' professional development is dependent on obtaining new knowledge and resources from other sources, which discourages teachers from feeling in control of their own professional development.

**Keywords:** materials development, autonomy, methodology workshops, communicative activity, cultural contexts, professional development, transferable.

### INTRODUCTION

The development of receptive speech competence in the systematization of specialized educational materials on the basis of methodical support of English language teaching and development of professional competence and linguo-didactic analysis is highlighted.

Introducing differentiated education according to the direction and level of students' mastery of academic subjects or their creative abilities, firstly, to further develop the capabilities of gifted children during the formation of knowledge, skills and abilities; secondly, not to waste their time; thirdly, it allows to ensure the moderation of the relationship between students.

On the basis of differentiated education, each teacher is required to be able to fully realize the inner potential of gifted students, to contribute to the formation of creative qualities in them. The creative abilities of the students of the educational institution are achieved by focusing the attention of the team of the educational institution on a single goal, as well as by actively involving the public in this process.

[6, 10]



By differentiated we mean a system of education in which each student has the right and guarantee to focus preferentially on his or her pursuits with a minimal level of general education under constantly changing living conditions. Differentiation of education is especially important in relation to English, which is one of the school subjects, because the English language consists of information directly related to things and events in the real world, with their inter-ethnic tolerance, mutual respect, appreciation of the customs of other nations and their language. depends.

The essence of the professional classification of the teaching process in different programs is to take into account the psychological and psychophysiological characteristics of the students in order to develop them to the maximum extent in the chosen fields.

### **LITERATURE ANALYSIS AND METHODOLOGY**

It is important to determine the basic level of general secondary education in the period of stratification of education, formation of its multi-specialized structure, clarification of educational goals and levels that are important for all students, guaranteeing the possibility of continuing education in higher educational institutions regardless of the future professional interests of students, regardless of the direction of education.

Specific goals of educational methods differ from each other, that is: to increase independent, creative cognitive activities of students; creating a structure of the educational process that is as close as possible to the characteristics of a person's feelings; adapt the educational content to the individual needs of the person and the level of his basic preparation; development of interests and abilities of a person; creating favorable conditions for students to realize their inclinations, interests and abilities; organization of student activity; ensuring that the acquisition of knowledge, skills and abilities is in the description of personal activity is properly distributed in academic lyceums and vocational colleges.

The methodology of teaching foreign languages is divided into general and private methodology. The general methodology discusses the principles of education that apply to all foreign languages. "General methodology of teaching foreign languages in secondary school", published under the editorship of I.V. Rakhmonov, V.S. Tsetlin and translated into Uzbek, R.A. Zaripova's "Guide to foreign language teaching methodology", J. Jalalov's "Foreign language teaching methodology" can be considered as a general methodology. Private methodology deals with the issue



of teaching one foreign language. This includes "Methods of teaching English" by G.V. Rogova, O.Kh. Hoshimov, I.Ya. Examples are Yakubov's "English language teaching methodology", S.F. Shatilov's "Metodika obucheniya nemetskomu yazyku v sredney shkole".

The main task of pedagogues is to train specialists who can adapt to the changing production conditions at the level of world requirements, not to recognize the amount of information given as the main factor in this process, but to form a creative approach to them and educate the qualities of independent thinking.

Improving the quality of English language teaching in non-philological higher education institutions is directly related to the following factors:

- 1) increase in the need for highly qualified new generation specialists who know the English language;
- 2) low level of English literacy of first-year students admitted to a higher education institution;
- 3) students' mastery of communicative competences specific to different languages at different levels;
- 4) Inadequacy of educational literature aimed at ensuring the educational-methodical individuality of students in mastering communicative competences specific to another language, etc.

The search for effective ways to improve the quality of the English language teaching process in non-philological higher education institutions is being carried out in different directions at the same time. In English language courses of non-philological higher education institutions, the main goal is to prepare students for speech activity in a goal-oriented manner in connection with the professional and social spheres of communication. While the authors are developing programs related to different directions, the sole goal is to teach the speech skills specific to a foreign language, which are defined by S.K. Lelyushkina as "non-standard solutions, learning complex words, unusual speech tools, acquiring methods, and shaping thinking." mastery provision is determined.

In non-philological higher education institutions, contextual and professional-oriented education is reflected as the generally accepted directions of English language teaching. As a basic concept of vocationally oriented education, the context is of great importance in the formation of students' linguistic readiness in connection with the future specialty. In order to determine the communicative indicators of



improving the quality of English language teaching in non-philological higher education institutions, it is necessary to clarify the essence of the concepts of "quality", "teaching quality", "teaching quality parameters". [1, 7]

F. Saidova, who studied the issue of quality management of foreign language teaching in technical higher education institutions, did not conduct separate research on quality parameters and indicators, but interpreted the features related to its management in the following way: "Educational quality management" to ensure adaptation, to the conditions of educational processes reach and support, its implementation and its results are understood. Not this or that element of the educational process, but the characteristics of these elements, their compliance with certain norms, should be managed. But the most accurate and complete definition of this phenomenon is based on the idea of managing the quality of education through the results aimed at regulating the quality indicators of the educational process.

Therefore, in order to develop the creative activity of students of non-philological higher educational institutions in the process of learning foreign languages and evaluate the quality of teaching, it is necessary to implement the following conditions:

- to create a communicative-educational environment;
- to increase motivation of students in the educational process;
- developing students' creative activity;
- constant use of modern interactive methods and technologies in educational sessions;
- conducting training sessions in classrooms equipped with a set of didactic tools;
- Availability of stages of development of creative activity of students of non-philological higher educational institutions.

How to apply modern strategies that are important in the development of receptive speech skills and the expected result of them will help the student in the course of the monograph. During the research of the monograph, scientific works (books and articles) of a number of scientists on this topic were studied in order to form integrated receptive skills in the student.

## **DISCUSSION**

Philosophical and scientific-pedagogical approach to the researched problem, using a set of methods compatible with the purpose, object, subject, tasks of the



monograph, the number of higher education institutions involved in the experiment is at the required level, the results of the experiment are based on statistical data and processed mathematically and statistically and the content of the works published on the topic, as well as a systematic and consistent approach to the problem of the monograph, the results of experiments and their compliance with the modern requirements for pedagogical monographs, ensure the reliability of the monograph results.

It is also important to pay attention to psychological factors in language learning in the formation of integrated speech skills. It is known that the effectiveness of the educational process is directly related to the interest in the result of the work that motivates students to perform certain activities. Therefore, it is necessary to take into account subjective factors when choosing lexical exercises. In addition, the age-related differences in thinking, thinking and memorization of language learners are definitely taken into account in this selection. In the scientific literature, it is noted that among the psychological characteristics that each young person develops, it is important to distinguish the main connection between all the psychological qualities of the student at the stage of formation: [5, 12]

1) In continuing education, great attention is paid to the level of personal interest and interest of the students in learning a foreign language in relation to the learning material and the educational activities being performed;

2) it is emphasized that thinking takes a leading place in the development of memory, that is, the priority of logical memory retention over mechanical memorization.

In this article, senior teacher of Fergana Polytechnic Institute "Uzbek language and language teaching" department 13.00.02 independent researcher in the specialty "Theory and Methodology of Education and Training" (English) Nazarialieva Matlyubakhan Anarjanovna on the topic "Formation of integrated receptive skills in teaching English" The results of the dissertation research prepared for obtaining the scientific degree of Doctor of Philosophy (PhD) during the 2022-2023 academic years, experimental work was carried out with students of Fergana State University in non-philological fields (students of German and French language fields). 56 students participated in the organization of experimental work. From this, 29 students were selected as experimental group and 27 students as control group.



Based on this, in the development of students' professional competence in foreign languages, the formation of receptive speech skills in English, the modernization of innovative activities related to the use of modern pedagogical technologies, the gradual formation of receptive skills with a differential approach to reading and listening techniques and other types of speech, linguo-didactic and psychological factors determine the effect;

- Analyzing the development of receptive speech competence in the teaching of the English language and the development of professional competence on the basis of methodical support and linguo didactic analysis on the systematization of specialized educational materials;

- Use of interactive methods and technology of didactic games in formation and development of integrated receptive speech competence;

- Application of the technique of appropriate application of various strategies in the formation of integrated reading skills;

- Development of methods of formation of receptive speech competence of Uzbek students in English based on the requirements and principles of the communicative method.

During the trial period, he benefited from an English audio-textbook based on the TPRS (Teaching Proficiency through Reading and Storytelling) methodology, which was created in the educational process using an innovative method of teaching. This book takes into account students' interest and passion for learning English. During the experiment, special attention was paid to such factors as determining the ways and methods of eliminating imbalances.

The following results obtained as part of M.A. Nazaralieva's Doctor of Philosophy (PhD) dissertation were applied to the educational process of the institute:

With TPRS, teachers promote language skills among students through children's novels, engaging stories, and interactive materials that are contextual, repetitive, and understandable. Or when explained simply, the teacher uses stories that are understandable and interesting, as we mentioned above, in the course of the lesson. [1, 2]

The teacher starts telling the story at an important, noteworthy point and asks many questions to the class: a) to ensure that the class understands the language;

b) adding personal, interesting and understandable details to the story. Students read mostly stories created in class, but also stories created by other classes, stories written by individual students, advertisements and articles from magazines and newspapers, children's books, and short novels written for TPRS classes. In short, TPRS consists of telling, listening to, and conducting short and simple question-and-answer sessions on a variety of stories that include natural phrases, commonly used words, and idioms. This increased students' interest in learning English.

Initial condition					
Ball	"5"	"4"	"3"	"2"	Total students
Experience group	10	12	30	54	106
Control group	8	10	36	52	106
Total score	18	12	66	106	212
Final condition					
Ball	"5"	"4"	"3"	"2"	Total students
Experience group	20	22	10	54	106
Control group	12	12	30	52	106
Total score	32	34	40	106	212

In Table 1  $a_{1i}$ : ( $i = 1,2,3,4$ ) suitable respectively "5", "4", "3", "2" points received experience in the group of students average the number means  $\bar{b}_{2i}$ : ( $i = 1,2,3,4$ ) suitable respectively "5", "4", "3", "2" points received control in the group of students average the number means  $\bar{b}_{2i}$ . Based on Table 1 initial in case experience and control in groups average monitoring is determined.

$$X_r = \frac{5 \cdot 10 + 4 \cdot 12 + 3 \cdot 30 + 2 \cdot 54}{106} = \frac{296}{106} \approx 2.8$$

$$X_n = \frac{5 \cdot 8 + 4 \cdot 10 + 3 \cdot 36 + 2 \cdot 52}{106} = \frac{292}{106} \approx 2.7$$

So both the group indicators initial in case  $X_r \approx 2.8$ ,  $X_n \approx 2.7$  is equal to Based on Table 1 final in the case average score indicators is calculated as:

$$X_r = \frac{5 \cdot 20 + 4 \cdot 22 + 3 \cdot 10 + 2 \cdot 54}{106} = \frac{326}{106} \approx 3$$

$$X_n = \frac{5 \cdot 12 + 4 \cdot 12 + 3 \cdot 30 + 2 \cdot 52}{106} = \frac{292}{106} \approx 2.8$$



So,  $X_r > X_n(3 > 2.8)$  control to the group relatively experience of the group growth percentage determined:

$$\frac{X_r}{X_n} * 100\% - 100\% = 120\% - 100\% = 20\%$$

Experience results average efficiency of 20% gave that make a guess (hypothesis). can \_

In that case head hypothesis

$$H_0: P_{1i} \neq P_{2i} \quad i = 1, 2, 3, 4$$

All categories the alternative hypothesis  $H_1$  for is as follows:

$$H_1: P_{1i} = P_{2i} \quad i = 1, 2, 3, 4$$

Four from the category never when not one for.

Statistical testing of the hypothesis for below criteria (symptom) is used:

$$T = \frac{1}{n_1 * n_2} \sum_{i=1}^4 \frac{(n_1 b_{2i} - n_2 a_{1i})^2}{a_{1i} + b_{2i}}$$

T is random quantity (statistics) of distribution  $\chi^2$  to the law tall breaks and freedom level  $J = 3$  to equal to

Hypothesis check in the rule value as follows level  $\alpha$  the critical points from the table  $V = 3$  when  $\alpha$  critical point found, based on Table 1 (1). observed value  $T_{qiyamat}$  is found. After  $\alpha_{1,2}$  and  $T_{qiyamat}$  compared, If

$$T_{qiyamat} > \alpha_{1,2}$$

inequality if fulfilled,  $\alpha$  value level  $H_0$  hypothesis refuse will be done and  $H_1$  hypothesis acceptance will be done. On the contrary

$$T_{qiyamat} < \alpha_{1,2}$$

if  $H_0$  hypothesis acceptance will be done.

Now to the rule basically  $\alpha_{1,2}$  from the table we find Let  $\alpha = 0.05$ . He is alone  $\chi^2$  critical points from the table  $J = 3$  we find in:

$$\alpha_{1-0.05} = \alpha_{0.95} = 7.815$$

$T_{qiyamat}(1)$  based on the formula and Table 1 we calculate:

$$T_{qiyamat} = \frac{1}{n_1 n_2} \left[ \frac{(n_1 b_{21} - n_2 a_{11})^2}{a_{11} + b_{21}} + \frac{(n_1 b_{22} - n_2 a_{12})^2}{a_{12} + b_{22}} + \frac{(n_1 b_{23} - n_2 a_{13})^2}{a_{13} + b_{23}} + \frac{(n_1 b_{24} - n_2 a_{14})^2}{a_{14} + b_{24}} \right] =$$

$$\frac{1}{106 * 106} \left[ \frac{(106 * 12 - 106 * 20)^2}{32} + \frac{(106 * 12 - 106 * 22)^2}{34} + \frac{(106 * 30 - 106 * 10)^2}{40} + \frac{(106 * 52 - 106 * 54)^2}{106} \right] = \frac{1}{11236} (22472 + 33047 + 112360 + 424) = \frac{168303}{11236} \approx 14.98$$



So,  $T_{qiymat} \approx 14.98$  and  $T_{qiymat} > x_{0.95}$  ( $14.98 > 7.815$ )

In conclusion according to,  $H_1$  accept the hypothesis is done,  $H_0$  the hypothesis is rejected.

So, scientific pedagogic experience results average knowledge of 20% effect gave is calculated as in case in practice to apply recommendation will be done. [8, 12]

### CONCLUSION

Researcher M.A. Nazaralieva's scientific-methodological recommendations developed on the basis of the results of her dissertation, the efficiency of the innovative approach was determined by comparative analysis of the traditional teaching and the innovative approach in higher education institutions. The formation of the speech mechanism, the theory of speech activity, the psychological features of learning the language as a means of communication formed the psychological basis of this study. Observation of the educational process, effective use of reading and listening strategies and conversation with students helped to identify, analyze and develop ways to overcome psychological difficulties in the process of formation of receptive speech skills (not knowing orthographic rules, fear of making mistakes, lack of motivation).

On the basis of these psychological characteristics, a logically based educational activity is created, which is useful for the student in mastering foreign lexicon. It is important for students to try to systematize their knowledge in acquiring vocabulary. Scientists have emphasized the need to pay special attention to the formation of the skill of striving to put the acquired knowledge into a certain system in the educational process. In fact, students are not completely satisfied with the amount of knowledge they have mastered, that is, information in the direction of events, and they feel the need to expand, supplement and organize their knowledge. Two important conclusions can be drawn from the opinions expressed: the educational material should be provided as complete as required, including all the necessary information; and the educational activities of students should be directed to their complete and systematic information acquisition.

One of the main requirements of the modern approach to the lesson is that it is important not only to use texts in the lesson, but also to acquaint the students with the literature of the country where the language is being studied. In addition, it is important to show the students a video film related to the topic and to know their



opinions about this film. In this case, students should describe their impressions of the film and/or a summary of the film. Speaking about other films similar to the film also has a positive effect on the development of speaking skills in them.

How to organize and conduct a lesson depends on the skills and experience of the teacher. A modern approach to the lesson and the effective use of new pedagogical methods during the lesson will also depend on the teachers' interest in their subject and their desire for innovations. [10, 12]

Therefore, preparation for each lesson and modern approaches to lessons will make the teacher and the student not bored during the lesson, and the lessons will be organized effectively. These approaches allow students to develop language skills and, of course, become fluent in the language they are learning.

#### **LITERATURE AND INTERNET SITES:**

1. Rubakin N.A. Psychology of the reader and the book. M.: MSU, 1977.
2. Rummyantseva I.M. Psychology of speech and linguistic-pedagogical psychology. M.: Logos, 2004. –320 p.
3. Nazaraliyeva, M. A., & Saydaliyeva, M. U. (2020). Developing reading skill in using integrated skills. Вестник педагогики: наука и практика, (51), 133-134.
4. Anarjanovna, N. M. (2021). Technology of formation of integrated reading competence in English. ACADEMICIA: An International Multidisciplinary Research Journal, 11(3), 666-672.
5. Nazaraliyeva, M. A. (2021). Integration of Reading and Writing in Teaching English. Central Asian Journal of Theoretical and Applied Science, 2(12), 147-151.
6. Nazaraliyeva, M. A. (2020). Base of integrated skills in psychological principles of teaching English. Scientific and Technical Journal of Namangan Institute of Engineering and Technology, 2(11), 213-218.
7. NAZARALIEVA, M. (2018). The main effective strategies in teaching reading. Scientific Journal of The Fergana State University, 1(5), 136-139.
8. Allaberdiyeva, G. B., & Nazaraliyeva, M. A. (2021). Turkic Dialects and Their Phenomena. The American Journal of Social Science and Education Innovations, 3(06), 165-170.

9. Allaberdieva, G. B. (2020). Developing students' vocabulary learning strategies. Scientific and Technical Journal of Namangan Institute of Engineering and Technology, 2(11), 199-203.
10. Nazaraliyeva, M. (2019). Developing student's vocabulary learning strategies. Scientific practical journal of "Science of world". Fergana branch of Tashkent University of Information Technology.
11. Nazaraliyeva, M., & Kasimova, K. (2022). Language and Cultural Issues in English Classes and the Processes of Reading-Writing Skills. Eurasian Journal of Learning and Academic Teaching, 15, 112-117.
12. Anarjanovna, N. M., & Ravshanovna, M. N. (2023). PSYCHOLOGICAL PRINCIPLES OF TEACHING ENGLISH. Open Access Repository, 4(03), 129-140.
13. Nazaraliyeva, M. (2023). COGNITIVE POETICS. Scientific progress, 4(2), 64-67.
14. Nazaraliyeva, M. A., & Usmonova, D. S. (2022). Analyses of experimental results according to the development integrated receptive skills. Science and Education, 3(5), 1010-1013.
15. <http://www.articlesbase.com/languages-articles/teaching-listening-as-an-english-language-skill-367095.html>
16. <http://www.articlesbase.com/languages-articles/teaching-listening-as-an-english-language-skill-367095.html>

---

# Research Science and Innovation House



## IN A CLASSROOM CONTEXT, STUDENTS WHO ARE GIVEN CONCISE EXPLANATIONS ARE MORE LIKELY TO COMPREHEND THE MATERIAL

**Khujanazarova Gulbakhor Gofurjanovna**

Teacher of the Department of Uzbek Language and Teaching Languages,  
Fergana Polytechnic Institute, Fergana, Uzbekistan

E-mail: [g.xujanazarova@ferpi.uz](mailto:g.xujanazarova@ferpi.uz)

### **Annotation**

Giving students concise explanations is essential in the classroom to ensure they understand the material. When it comes to generalizing, students' logical thinking is strengthened and provides guidance through inductive judgment. Regarding explanations, Leinhardt distinguished between disciplinary and instructional forms of teaching. He argues that instructional explanations aim to make concepts, procedures, events, ideas, and classes of problems clearer in order to assist students in comprehending, learning, and applying information in a flexible manner.

**Keywords:** inductive judgement, generalising, to distinguish, interrelated nature, to collaborate.

### **Introduction**

Explanation is the simplest type of instruction. "A tool that is used by a speaker for understanding or 'giving a sense' to the object of communication, of a debate, or a discussion" is how explanation is defined. An explanation's function is to clarify the meaning of an item (method, term, assignment) while officially preserving the appropriate distance between the study's or action's focal point and its instruments. Both the teacher and the students use explanation as a tool in the teaching and learning process. Its intention is to make understanding visible.

Historically, explanation has been a part of monological teaching approaches, in which pupils get information from the teacher along with other instructional strategies like narration, description, or lectures. Skalkova says that in practice, individual forms of explanation often percolate. In this perspective, explanation is seen as the task fulfilled by the teacher with students passively receiving what is

presented. Collecting feedback on students' perceptions of whether explanations are clearly identified whether student's feel particular teaching assisted them in understanding the subject matter. Without student understanding, no explanation can be said to be clear. We see explanation in a much broader sense: Communication in school is a mutual interchange of information among teachers and students, students and students during the educational process, i.e. students have an active role in the whole process. Using explanation in a mathematics classroom is a normal procedure, but its roles and forms vary. Predominantly explanation is seen as a tool for describing relevant phenomena, developing students' logical thinking, and guiding students by inductive judgement to generalising. It leads to clarifying interrelations, demonstrating, and justifying.

### **Methodology**

Although explanation is not often explicitly studied in literature, it is present in the background of most papers dealing with communication and reasoning. "Good teaching is good explanation". This quotation reflects the belief that the capacity to explain is critically important in teaching. According to Behr, the art of explaining - the ability to provide understanding to others - is the central activity of teaching.

Therefore, to achieve the goal of teaching, the teacher must adopt effective teaching methods that can lead to learners understanding the subject being taught. Being the most commonly used teaching method, explanation integrates well in all methods of instruction, such as discussions, seminars, practical lessons and tutorials. Therefore, if used properly, this teaching method can develop logical operations: induction, deduction, comparison, analysis, synthesis and analogy. The main objective of explanation in teaching is to enable the learners to take intelligent interest in the lesson, to grasp the purpose of what is being done, and to develop their own insight and understanding of how to do it. In addition, and with specific reference to technology education, explanation is used in classroom teaching to provide students with an understanding of the complex and interrelated nature of technology, which is technical, procedural, conceptual and social. This involves the ability by the teacher to use explanation effectively in order to communicate information to students. From the standpoint of technology education, explanation in teaching is an intentional activity, which represents the discovery of truth, which is based on concrete deductive arguments. Explanation as it pertains to teaching can be considered as an attempt to provide understanding of a problem to others.



In the educational setting, providing clear explanations to students is crucial to helping them grasp the material. Students' logical thinking is developed, and it offers direction through inductive judgment when it comes to generalizing. Leinhardt made a distinction between the instructional and disciplinary forms of teaching when it came to explanations. In order to support students in understanding, learning, and applying information in a flexible manner, he claims that instructional explanations seek to clarify concepts, methods, events, ideas, and classes of problems. Disciplinary explanations attempt to explain what is considered evidence, what is assumed, and what the discipline's objective is. They are based on a core set of conventions within each specific field. They give fresh information credibility, reframe old knowledge, and confront and criticize preexisting knowledge. From a learning perspective, explanation holds a special place as one of the core critical thinking skills. Good critical thinkers, according to Facione, are those who can explain what they think and how they arrived at that judgment. The Delphi Study expert panel, cited by Facione, defined explanation as being able "to state the results of one's reasoning; to justify that reasoning in terms of the evidential, conceptual, methodological, criteriological, and contextual considerations upon which one's results were based; and to present one's reasoning in the form of cogent arguments". Explanation that works is one that is "sticky" (people remember it, think about it, and can repeat it, often even days or weeks later), is easily communicated (people can explain it to each other), and guides thinking in new and better directions (it leads to new kinds of reasoning, which are not only more constructive and accurate but more engaging).

Howard Gardner identified a wide range of modalities in his Multiple Intelligences theories. The Myers-Briggs Type Indicator and Keirsey Temperament Sorter, based on the works of Jung, focus on understanding how people's personality affects the way they interact personally, and how this affects the way individuals respond to each other within the learning environment.

Demonstrating - Demonstrating, which is also called the coaching style or the Lecture-cum-Demonstration method, is the process of teaching through examples or experiments. The framework mixes the instructional strategies of information imparting and showing how. For example, a science teacher may teach an idea by performing an experiment for students. A demonstration may be used to prove a fact through a combination of visual evidence and associated reasoning.

## Results and discussion

Demonstrations are similar to written storytelling and examples in that they allow students to personally relate to the presented information. Memorization of a list of facts is a detached and impersonal experience, whereas the same information, conveyed through demonstration, becomes personally relatable. Demonstrations help to raise student interest and reinforce memory retention because they provide connections between facts and real-world applications of those facts. Lectures, on the other hand, are often geared more towards factual presentation than connective learning.

One of the advantages of the demonstration method involves the capability to include different formats and instruction materials to make the learning process engaging. This leads to the activation of several of the learners' senses, creating more opportunities for learning. The approach is also beneficial on the part of the teacher because it is adaptable to both group and individual teaching. While demonstration teaching, however, can be effective in teaching Math, Science, and Art, it can prove ineffective in a classroom setting that calls for the accommodation of the learners' individual needs.

**Collaborating - Collaboration** allows student to actively participate in the learning process by talking with each other and listening to others opinions. Collaboration establishes a personal connection between students and the topic of study and it helps students think in a less personally biased way. Group projects and discussions are examples of this teaching method. Teachers may employ collaboration to assess student's abilities to work as a team, leadership skills, or presentation abilities.

Collaborative discussions can take a variety of forms, such as fishbowl discussions. It is important for teachers to provide students with instruction on how to collaborate. This includes teaching them rules to conversation, such as listening, and how to use argumentation versus arguing. After some preparation and with clearly defined roles, a discussion may constitute most of a lesson, with the teacher only giving short feedback at the end or in the following lesson.

Some examples of collaborative learning tips and strategies for teachers are; to build trust, establish group interactions, keeps in mind the critics, include different types of learning, use real-world problems, consider assessment, create a pre-test,



and post-test, use different strategies, help students use inquiry and use technology for easier learning.

Class discussions can enhance student understanding, add context to academic content, broaden student perspectives, highlight opposing viewpoints, reinforce knowledge, build confidence, and support community in learning. The opportunities for meaningful and engaging in-class discussion may vary widely, depending on the subject matter and format of the course. Motivations for holding planned classroom discussion, however, remain consistent. An effective classroom discussion can be achieved by probing more questions among the students, paraphrasing the information received, using questions to develop critical thinking with questions like "Can we take this one step further?;" "What solutions do you think might solve this problem?;" "How does this relate to what we have learned about..?;" "What are the differences between ... ?;" "How does this relate to your own experience?;" "What do you think causes .... ?;" "What are the implications of .... ?"

It is clear from "the impact of teaching strategies on learning strategies in first-year higher education cannot be overlooked nor over interpreted, due to the importance of students' personality and academic motivation which also partly explain why students learn the way they do" that Donche agrees with the previous points made in the above headings but he also believes that student's personalities contribute to their learning style. The way a student interprets and executes the instruction given by a teacher allows them to learn in a more effective and personal way. This interactive instruction is designed for the students to share their thoughts about a wide range of subjects.

Class discussions have also proven to be an effective method of bullying prevention and intervention when teachers discuss the issue of bullying and its negative consequences with the entire class. These discussions have shown to increase the number of students who would help other students when they are victimized.

The subject of the social and methodological analysis in this project was the emerging and the development of the theory of mechanisms as a classical scientific and engineering discipline, on the one hand. On the other hand, the emerging and the development of radar science and technology as a special discipline of scientific engineering (as distinct from the engineering industry) was the subject of social and methodological analysis. Radar theory is discussed not as much as a specific



engineering science but as a model of development of an engineering discipline. On the one hand, it is an object of systems study; on the other hand, it has given an impetus in modern science and engineering to the development of methodological principles for the systems approach. This is not only about adding new details to the stories of this particular sphere of science and technology but rather about using this example as a case study to uncover the social and methodological structures connected to the origination of new sciences and technologies. This approach was propagated by the philosophers of science in the middle of the 20th century. For this reason, it was possible to apply in this project the results of the social and methodological analysis done by scientific engineering disciplines, results which were elaborated for the investigation of radar science and technology, and for the philosophical analysis of another modern science, namely of nanotechnology.

The scientific technological disciplines already have founded or are founding at present disciplinary organizations and, meanwhile, they have a stable position in science. In addition, as shown in the project, by the second half of the 20th century, a majority of the scientific technological disciplines had begun their own theoretical studies that have received the status of a technical theory, by now. Today, there is more interconnectedness between science and technology (also in the basic research spheres) within the scientific community. We already say "techno science". In the modern scientific landscape, we can find increasingly a special type of scientific discipline – the scientific technological discipline.

These new scientific technological disciplines are unique in that they emerge at the interface between scientific and engineering activities, and are supposed to ensure the effective interaction of both of these fields. We already speak of "techno science". Three main levels of the theoretical (ontological) schema within a nano scientific theory can be discerned: namely, mathematically-oriented functional schemes, "flow" schemes reflecting natural processes occurring in the system investigated or constructed, and structural schemes representing its structural parameters and engineering analysis, i.e., the system's structure. In nano techno science different models (equivalent circuits with standard electronic components) of electric circuit theory are used for the analysis and synthesis of nano circuits, and a special nano circuit theory is elaborated. The implementation of technological theory is carried out by using the iteration method. First, a special engineering problem is formulated. Then it is represented as a structural diagram of the technical



system. To calculate and to model this process mathematically, a functional diagram is drawn up. Consequently, the engineering problem is reformulated into a scientific one, and then into a mathematical problem that is solved by the deductive method. This path from the bottom to the top represents the analysis of models. The opposite direction – the synthesis of models – makes it possible to synthesize the ideal model of a new technical system from idealized structural elements according to the appropriate rules of deductive transformation, to calculate basic parameters of the technical system, and to simulate its function.

### Conclusions

Today, it is impossible to separate knowledge production not only from knowledge application but also from ethical reflection. That is why in this project problems related to technological catastrophes are analyzed: Hereinafter, an example for nuclear reactor accidents follows. After the Chernobyl catastrophe the scientific worldview has changed. The related problems are the problems of the whole world community. This incident has changed significantly the way how the safety of nuclear power engineering and the responsibility for that safety borne by scientists, engineers, and politicians, are discussed. No reference to the public, economic, or technological expedience or to higher scientific interests can justify the moral and material damage that can be done to human beings and to the environment. The immensely intensified potential impacts of technology will require an entirely new ethical orientation not only regarding behavior rules but also with regard to responsibility and provision as well as to providence and caring for the future.

### References:

1. Khujanazarova, G. (2023). Proficiency in cognitive academic language is essential for the learner participation and engagement that is necessary for subsequent success. *Namangan davlat universiteti Ilmiy axborotnomasi*, (6), 559-564.
2. Gulbakhor, K. (2023). Efficiency Factors in the Practical Use of the Uzbek Language. *Eurasian Journal of Learning and Academic Teaching*, 18, 72-74.
3. Gofurjanovna, K. G. (2022). On the role of the etymological principle in the translation of phraseologies. *Current research journal of philological sciences*, 3(06), 50-56.

4. Gofurjanovna, K. G. (2022). Linking Categories of Syntactic Units and Their Meaning in the Formation of Word Combinations. *Eurasian Journal of Learning and Academic Teaching*, 9, 113-117.
5. Gofurjonovna, X. G. (2022). Restricting Technical Language. *American Journal of Social and Humanitarian Research*, 3(5), 364-367.
6. Khojanazarova, G. G. (2019). Hamlet is the masterpiece of english literature. In *international scientific review of the problems and prospects of modern science and education* (pp. 56-57).
7. Gofurjonovna, H. G. (2016). Using an electronic educational-methodical complex in education. *Наука и образование сегодня*, (2 (3)), 69-70.
8. Oknazarov, O., Odilbekov, K., Saodatkadamov, M., & Khujanazarova, G. Anatomic changes of leaves' structure and plants' growth under influence of ultraviolet radiation of sun.
9. Хужаназарова, Г. Г. (2016). Дистанционное обучение в Европе. *Academy*, (6 (9)), 98-99.
10. Abdukadirov, U. N. (2022). Best practice of motivating speaking activities for lower levels. *Экономика и социум*, (12-1 (103)), 24-27.
11. Nazirovich, A. U. (2023). Modern methods of teaching english in higher education. *Образование наука и инновационные идеи в мире*, 20(2), 45-47.
12. Nazirovich, A. U. (2023). Features of the translation of technical texts. *Academia Science Repository*, 4(05), 58-63.
13. Nazirovich, A. U. (2022). Turizmga oid atamalarning lingvokulturologik xususiyatlari. *Conferencea*, 256-258.
14. Abdukodirov, U. N. (2020). Using of dictionary sources for improving integrated teaching methods. *Scientific and Technical Journal of Namangan Institute of Engineering and Technology*, 2(11), 230-234.
15. Abdukodirov, U. (2020). Materials development in teaching. In *мировая наука 2020. Проблемы и перспективы* (pp. 3-5).
16. Jamoliddinova, M., & Axmadaliev, D. (2023). Organization of foreign language teaching in higher educational institutions and introduction of speech units for students. *Development of pedagogical technologies in modern sciences*, 2(11), 96-99.



17. Yusupjonova, D., & Axmadaliyeva, D. (2023). Using computer and online technologies in teaching english. Models and methods in modern science, 2(12), 151-155.

18. Akhmadaliyeva, D. R. (2023). Using gamification in english lessons. Mental Enlightenment Scientific-Methodological Journal, 4(03), 8-13.

19. Gulhumor S. Kahhorova. (2022). The notions of wael hallaq on an introduction to islamic law. American Journal Of Social Sciences And Humanity Research, 2(06), 63–67. <https://doi.org/10.37547/ajsshr/Volume02Issue06-12>

20. Kizi, K. G. S. (2023). A deep study of wael B hallaq’s explaining views of islamic law. Asian Journal Of Multidimensional Research, 12(8), 7-10.



---

# Research Science and Innovation House



## GRAMMATIK MODALLIK KATEGORIYA SIFATIDA

**Hamidova Sayyora Nurmatovna**

Farg‘ona politexnika instituti O‘zbek tili va tillarni o‘rgatish kafedrası katta  
o‘qituvchisi

### **Annotatsiya**

Maqolada modal komponentlar gap tarkibida qo‘llanilishi, ushbu komponentlar grammatikaning sohalariga doir ekanligi, ular bajaradigan vazifalar, anglatadigan mohiyatiga ko‘ra sathlarda namoyon bo‘lishi yoritilgan.

**Kalit so‘zlar:** modal ifoda, ot so‘z turkumidan ajralib chiqqan modal so‘zlar, sifat so‘z turkumidan ajralib chiqqan modal so‘zlar, ravishdan ajralib chiqqan modal so‘zlar.

### **Kirish**

Modal birliklarning hosil bo‘lishiga etimologik jihatdan qaraydigan bo‘lsak, ularning aksariyati mustaqil so‘z turkumlaridan hosil bo‘lgan:

**Ot so‘z turkumidan ajralib chiqqan modal so‘zlar:** aftidan, haqiqatdan, mazmuni, ehtimol, darhaqiqat. Bu so‘zlar matn tarkibida ham modal ifoda, ham o‘t so‘z turkumi vazifasida keladi, solishtiramiz: Aftidan, bu gapim hech kimga yoqmadi. (modal ifoda) / gaplarim yoqmaganligi uning aftidan sezilib turar edi (ot); Haqiqatdan, sizning gaplaringizda jon bor / haqiqatdan yuz o‘girib bo‘lmaydi; Ehtimol, bu dunyoning o‘tkinchi ekanligi uning yodidan ko‘tarilgandir / bu masalada professorning ehtimoliga tayanish joiz bo‘ladi.

**Sifat so‘z turkumidan ajralib chiqqan modal so‘zlar:** yaxshi(ki), to‘g‘ri, so‘zsiz, shubhasiz, tabiiy. Yaxshi, sizni tushundim, lekin siz adashyapsiz (modal ifoda) / Yaxshi kishi ko‘rmagay yomonlik hargiz...(sifat); E‘tirozim yo‘q, to‘g‘ri, men adashdim / Boshingga qilich kelsa ham to‘g‘ri so‘zla; Shubhasiz, eng tajribali xodim menman. / O‘zingni buncha qiynamasang, qachon shubhasiz yashashni boshlaysan?; Tabiiyki, bu yilgi hosilimiz har doimgidan-da mo‘l bo‘ldi / Shifokor o‘z bemorlariga faqat tabiiy maxsuslotlardan iste‘mol qilishni buyurdi.

**Ravishdan ajralib chiqqan modal so‘zlar:** albatta. Bu so‘z gap tarkibida, asosan, modal ifodani bildirib keladi. Biroq, ba‘zan tasdiq ma‘nosini ifodalovchi ravish turkumiga oid so‘zning ma‘nosida ham qo‘llasa bo‘ladi. Qiyoslab ko‘ramiz:



Onajon, albatta, sizni ko‘rgani kelaman! / – Sizda mening o‘lchamimga ko‘ylak topiladimi? – Albatta.

**So‘z birikmasidan ajralib chiqqan modal so‘zlar:** Har qalay, har holda. Solishtiring: Har holda, bizga yoqmaydigan gaplarni gapirishmadi-ku! / U o‘z erining ko‘ziga har holda ko‘rinishni yaxshi ko‘radi.

**Gapning modal so‘zga aylanishidan hosil bo‘lgan modal so‘z:** holbuki. Bu so‘zning qismlari ajratilsa, ega va kesimdan iborat sodda gap hosil bo‘lishi mumkin. Modal ifodani anglatganda esa, tadiqlash, avvalgi fikrga nisbat berish ma‘nolarini anglatadi. Holbuki, o‘zimdand kechgan emasdim... / Hol buki, har neni so‘zlamak durust ermas.

Xuddi shuningdek, modal so‘zlar modal ifoda anglatishdan tashqari boshqa lisoniy birliklar vazifasida ham kelishi mumkin. Masalan, so‘z-gap vazifasida. Bunda so‘z butunligicha so‘z-gapga o‘tib ketmaydi, shunchaki o‘tish “yo‘li” da turgan bo‘ladi. Ularni modallashayotgan so‘zlar (balki, hatto, aftidan) deb atash mumkin bo‘ladi: **Balki**, barchasini aytish vaqti kelgandir. / Bu faqat sizning yutug‘ingiz emas, **balki** ota-onangizniki hamdir. Modal birliklarning so‘z-gap vazifasini bajarishining yana bir ko‘rinishi bor, bunda modal so‘z so‘z-gap shaklga ega bo‘ladi, ularga shunday qilib, baxtga qarshi, tavba, xudo saqlasin kabi birliklarni misol qilish mumkin. Buni bir gap misolida ifodalashga harakat qilamiz:

- Kecha qo‘shnim Adibaning uyiga o‘g‘ri tushganmish.
- Tavba... Nega uning boshi kulfatdan chiqmay qoldi o‘zi?
- Baxtga qarshi.
- Xudo saqlasin!

O‘zbek tili grammatikasida soflik va vazifadoshlik degan tushunchalar mavjud bo‘lib, ular modal so‘zlarga ham doir. Bajaradigan vazifanining xususiyatiga qarab, ularni sof va vazifadosh modal so‘zlarga ajratish mumkin bo‘ladi.

Sof modal so‘zlar faqat modal ma‘no ifodalashga xizmat qiladi. Ularga Haqiqatan, darhaqiqat, afsuski, attang, albatta, shekilli, avvalo, xullas, masalan, umuman, taxminan kabi so‘zlar kiradi. Vazifadoshga esa aftidan, chamasi, balki, ehtimol, shubhasiz

Modal komponentlar gap tarkibida qo‘llanilib, modallikni ifodalaydi, ushbu komponentlar grammatikaning sohalariga doir bo‘lib, ular bajaradigan vazifasi, anglatadigan mohiyatiga ko‘ra sathlarda namoyon bo‘ladi. O‘zbek tili grammatikasida modal so‘zlar alohida olingan so‘zlar turkumida o‘rganiladi, ularni



ba'zi adabiyotlarda oraliq so'zlar ham deb atashadi. Nega modal so'z mustaqil so'z bo'la olmaydi, sababi modal elementlar ma'no ifodalaydi, biroq hech qanday so'roqqa javob bo'lmaydi, hech qanday gap bo'lagi vazifasida ham kelmaydi. Boshqa bo'laklar bilan o'zaro aloqaga kirishmasa-da, shu gapda ifodalanayotgan voqelikni tasvirlashda uning butun ma'nosiga ishora qiladi. U gapning istalgan o'rnida – boshida, o'rtasida, oxirida qo'llanilishi mumkin. Bu gapning mazmuniga katta ta'sir etmaydi. Modal so'zni ma'no anglatganligi uchun mustaqil deb bo'lmaydi, chunki u so'roqqa javob bo'lmaydi, gap bo'lagi vazifasini bajarmaydi, shu xususiyatiga ko'ra uni yordamchi so'z turkumi tarkibiga kiritilsa, u yordamchilardan farqli o'laroq ma'no anglatadi. Aynan mana shu ikkilanish ushbu hodisani oraliq so'z turkumi yoki alohida olingan so'z sifatida talqin etiladi. Shuningdek, modal so'zlarning sintaktik vazifasi kirish so'z hisoblanadi. Kirish so'zlarning modallikni ifodalashdagi o'rnini, o'ziga xosliklari haqida yuqorida mulohazalarimiz mavjud.

Modallikning grammatik kategoriya ekanligi tilshunoslikda uzoq yillardan buyon tan olingan, isbotlangan hamda bu borada juda ko'p tadqiqot ishlari amalga oshirilgan. Modallik matnda namoyon bo'ladigan bo'lsa, o'sha mazmunni keltirib chiqarishda uni hosil qiyuvchi vositalarning ham o'rnini bor. Yuqorida modal birliklar sifatida keltirilgan leksik birliklar modal ma'no berishda birlamchi bo'lsa, ularning vazifasini bajaruvchi so'zlar, jumladan, undov, fe'llar, so'z-gaplar ikkilamchi vositalar sifatida qarash mumkin.

#### Foydalanilgan adabiyotlar:

1. Hakimov M.X. O'zbek tilida matnning pragmatik talqini. Filol. fanlari doktori. diss. avtoref. – TA.G'ulomovning ilmiy merosi. O'zbek tilida ko'plik kategoriyasi. 3-kitob. – Toshkent, 2007. – 121b.
2. Safarov Sh. Pragmalingvistika. – Toshkent: “O'zbekiston milliy entsiklopediyasi”, 2008. – 245 b.
3. Safarov Sh. S. Kognitiv tilshunoslik. –Jizzax: “Sangzor” nashr., 2006. –5b.
4. G'ulomov A. Ilmiy meros. O'zbek tilida ko'plik kategoriyasi. 3-kitob. – Toshkent, 2007. – 121 b.
5. Hamidova S.N. Tilshunoslik mentalingvistik bosqichida kognitiv tadqiqotlar.



6. Scienceproblems.uz ижтимоий-гуманитар фанларнинг долзарб муаммолари № № 12/2 (3)-2023, 145-151 bet.
7. Nurmatovna, K. S. (2019). Formation of communicative competence of technical higher educational institutions students. Проблемы современной науки и образования, (11-2 (144)), 82-84.
8. Nurmatovna, X. S., & Umidjon o‘g‘li, A. Z. (2023). Modallik va uning gap mazmunidagi o‘rni. Образование наука и инновационные идеи в мире, 18(8), 160-163.
9. Sayyora, X. (2023). The impact of language games on classroom. Involta Scientific Journal, 2(4), 149-153.
10. Хамидова, С. Н. (2018). Интерактивные методы и их применение на занятиях английского языка. Достижения науки и образования, (18 (40)), 50-51.
11. Khamidova, S. N. (2021). Modality and its elements in sentence. Theoretical & Applied Science, (1), 88-91.
12. Nurmatovna, K. S. (2021). The Mental Processes Associated with Understanding the World. Central asian journal of literature, philosophy and culture, 2(11), 88-92.
13. Турсунова, О. С., & Хамидова, С. Н. (2019). Применение проектных работ в преподавании иностранных языков. Достижения науки и образования, (8-3 (49)), 101-102.
14. Abdukodirov, U. N. (2020). Using of dictionary sources for improving integrated teaching methods. Scientific and Technical Journal of Namangan Institute of Engineering and Technology, 2(11), 230-234.
15. Abdukodirov, U. (2020). Materials development in teaching. In Мировая наука 2020. Проблемы и перспективы (pp. 3-5).
16. Nazirovich, A. U. (2023). Methodical approaches in english teaching. Journal of Science-Innovative Research in Uzbekistan, 1(9), 1169-1173.
17. Abdukodirov, U., & Obidjonova, Z. (2023, November). Goals and objectives of use information and communication technology in education. In Conference on Digital Innovation: "Modern Problems and Solutions".

## TO‘QIMACHILIK SANOAT CHIQINDILARINI QAYTA ISHLASH MUAMMOLARI VA ISTIQBOLLARI

**S.T. Sultonov**

O‘qituvchi, Farg‘ona politexnika institute, Farg‘ona, O‘zbekiston

E-mail: [saminjon007@gmail.com](mailto:saminjon007@gmail.com)

**Yaxyomirzaey Nodirbek O‘tkirbek o‘g‘li**

92-21 YSTJ guruh talabasi, Farg‘ona politexnika institute, Farg‘ona,

O‘zbekiston

### **Annotatsiya**

Maqolada to‘qimachilik sanoati chiqindilarini an‘anaviy va yangi qayta ishlash usullari tadqiq etilgan bo‘lib, mazkur turdagi chiqindilardan foydalanish muammolari tahlil etilgan. Tayanch so‘zlar: To‘qimachilik chiqindilari, paxta tolasi chiqindisi, kalta tolali chiqindilar, zig‘ir tolali chiqindilar, noto‘qima mato, chiqindisiz texnologiya.

**Kalit so‘zlar:** To‘qimachilik chiqindilari, paxta tolasi chiqindisi, kalta tolali chiqindilar, zig‘ir tolali chiqindilar, noto‘qima mato, chiqindisiz texnologiya.

### **Kirish**

To‘qimachilik mahsulotlariga oshib borayotgan talab to‘qimachilik sanoat chiqindilaridan foydalanish muammosini keskin ko‘tarmoqda. Asosiy yondashish bu to‘liq yo‘qotish (yoqish, ko‘mish) o‘rniga chiqindilardan maksimal ishlab chiqarish jarayonida foydalanishdir. Barcha to‘qimachilik chiqindilari 4 guruhga bo‘linadi: Birinchi guruhga tolali chiqindilar kirib, ular o‘zi hosil bo‘lgan ishlab chiqarish korxonasi qayta ishlanadi. Ikkinchi guruhga faqat ikkilamchi xom ashyoni qayta ishlash korxonalarida qayta ishlanishi mumkin bo‘lgan to‘qimachilik chiqindilar kiradi. Uchinchi guruhga kiruvchi to‘qimachilik chiqindilari to‘qimachilik mahsulotlari ishlab chiqarishda ishlatilmay, faqat artish maqsadlari uchun ishlatiladigan material sifatida qo‘llaniladi yoki tashlab yuboriladi. To‘qimachilik materiallarni to‘rtinchi guruhga ishlab chiqarishning past navli chiqindilari kirib, ulardan to‘qimachilik mahsulotlari deyarli olib bo‘lmaydi, ya‘ni ular foydalanilmaydigan chiqindilar. Bu guruhga ishlash muddati o‘tab bo‘lgan



sanoat filterlari kirib, ularni tozalash va qayta tiklash iqtisodiy jihatdan o‘zini oqlamaydi. Chiqindilar ko‘pincha termik zararsizlantiriladi yoki poligonlarda ko‘miladi. Agar maydalab beradigan uskunalar mavjud bo‘lsa, ularni masalan, kompozitsion materiallar olish uchun ishlatish mumkin. Bu materiallar o‘z navbatida tolali qurilish plitalarni ishlab chiqarishda qo‘llaniladi. Bu guruhdagi chiqindilar tegishli qayta ishlashdan keyin qurilishda ishlatiladigan plitalarda qayta ishlatish mumkin, lekin bunda uskunalarni montaj qilish, ishlab chiqarishda ekologik xavfsizlik, rentabellik va shu kabi boshqa muammolarni hal qilish kerak. Evropada qattiq mayishiy chiqindilarni qayta ishlash zavodlaridan makulatura, shisha, polimerlar kabi komponentlar olinadi. Faqatgina Donkaste shahridagi (Buyuk Britaniya) ishlab chiqarish quvvati bir sutkada 320 tonna qattiq mayishiy chiqindilarni qayta ishlash zavodida olinadigan komponentlar uchun talluqlidir. Germaniyadagi yana bitta ishlab chiqarish quvvati bir soatda 50 tonnaga teng bo‘lgan zavodda to‘qimachilik komponentlarni qo‘lda saralash ishlari olib boriladi. Qolgan hollarda to‘qimachilik chiqindilari boshqa qaytmas chiqindilar bilan birgalikda yoqilg‘i briketlariga tushadi va yoqish uchun yuboriladi. To‘qimachilik chiqindilari qayta ishlash davrida bir nechta bosqichdan o‘tkaziladi: dezinfeksiya, changsizlantirish, saralash, yuvish, kimyoviy tozalash, kesish, moylash va tolaga ajratish. To‘qimachilik chiqindilaridan noto‘qima matolar, issiqlik va shovqin o‘tkazmaydigan materiallar; texnik, tikuv va mebelbop paxta; artish uchun materiallar, filtrlovchi kabi texnik matolar tayyorlanadi, bularga asosan sintetik tolalar chiqindilari ishlatiladi.

### **Asosiy qism**

Hozirgi paytda qayta ishlanmaydigan ikkilamchi to‘qimachilik xom ashyolarni qayta ishlatish bo‘yicha yangi texnologiyalarni joriy etish lozim. To‘qimachilik chiqindilaridan foydalanishning noan‘anaviy yo‘llaridan biri bu ko‘pqavatli rulon materiallar, to‘qimachilik devor qoplamalari, payvandlovchilar maxsus kiyimi uchun olov va issiqqa chidamli matolarni olish hisoblanadi. Rossiyada jun ishlab chiqarish chiqindilaridan bog‘ uylarini isitish uchun ishlatiladigan noto‘qima matolar ishlab chiqariladi. Rivojlangan mamlakatlarda rulonli materiallar chiqindilaridan hajmli buyumlar ishlab chiqarish usuli, tolali massa olish usuli, jun ishlab chiqarish chiqindilaridan qo‘shimcha oqsilli em-xashak olishning patentlangan usullari ma‘lum. Chet elda past navli paxta chiqindilari (tarandi, momiq)dan ip ishlab chiqariladi. Jun sanoatining umumiy xom ashyo balansida

tiklangan jun Gollandiyada - 28%, Italiyada - 18%, YAponiyada - 7%, AQSHda - 5%, Fransiyada - 3% ni tashkil etadi. Polshada zig‘ir tolali chiqindilardan pollar uchun plitalar va qoplama materiallar ishlab chiqarishda foydalaniladi. Vengriyada zig‘ir tolali chiqindilarni ishlatib izolyasiya panellari tayyorlanadi. Germaniya va Belgiyada zig‘ir va kanop chiqindilaridan qurilish plitalari ishlab chiqariladi, sintetik tolalarning kalta tolali chiqindilari tom yopish uchun ishlatiladigan qoplamalarni ishlab chiqarishda bog‘lovchi sifatida foydalaniladi.

Germaniyada gilam to‘qish chiqindilarini presslash usuli bilan plitalarga qayta ishlash texnologiyasi yaratilgan. Xom ashyo tarkibiga 70- 85% chiqindilar va 15-30% penopoliuretan kiradi. A.Kogan va V.Butkevichlar tomonidan zig‘ir tolali chiqindilarni ishlatib tikuv usulida noto‘qima matolar olish texnologiyasi ishlab chiqilgan. V.Galsov va S.Markaryan o‘z ishlarida eskirgan paxta va paxta buyumlarni qayta ishlashning o‘ziga xos echimlarini taklif etishgan. Issiqlik va shovqin izolyasion plitalarni to‘qimachilik chiqindilari va mineral bog‘lovchilardan olish texnologiyasi mavjud. Sintetik polimerlarni regeneratsiyalash orqali sintetik tolali to‘qimachilik materiallar chiqindilarini qayta ishlash texnologiyalari ishlab chiqilgan. Mato laxtaklar va trikotaj qiyqimlardan noto‘qima matolar olish texnologiyasi mavjud. Maishiy eyilib ketgan buyumlardan tiklangan kimyoviy tolalarni ishlatib drenaj konstruksiyalari kompozitsiyasi ishlab chiqilgan. Noto‘qima matolar olish uchun kimyoviy va aralash iplar chigallari va uchlarini qayta ishlash texnologiyasi mavjud. Atsetat va triatsetat chiqindilardan atsetilsellyulozali plastmassalar olish texnologiyasi ham ma’lum. Engil sanoatning kalta tolali chiqindilarini yog‘ochsozlik chiqindilari aralashmasidan qurilish materiallari assortimentini kengaytiradigan organo-sintetik tolali plitalarni olish texnologiyasi ishlab chiqildi. Issiq gidravlik pressda gilam ishlab chiqarishining kalta tolali chiqindilaridan tolali plitalar olish texnologiyasi ma’lum. Materialni transport tara elementi sifatida ishlatishga tavsiya etiladi . Gollandiya olimlari yaxshilangan texnologiyani taqdim etdilar. Bunda dastlabki saralashsiz bitta tizim ichida barcha chiqindilarni birlamchi xom ashyogacha qoldiqsiz bo‘linadi va tozalanadi. Xom ashyo to‘liq aralashmalardan tozalanadi, qadoqlanadi va takroran ishlatilishi mumkin. Tizim ekologik jihatdan neytral. Germaniyada texnik nazorat xizmati tomonidan tekshirilgan zavod qurilib, u 10 yil davomida sinash rejimida shu texnologiya asosida muvaffaqiyatli ishlamoqda. Hozirgi payda Gollandiya hukumati zavodni o‘zining davlat territoriyasida qurish masalasini ko‘rib chiqmoqda.





Evropaning ko‘p davlatlarida yaroqsiz kiyimlar qog‘oz ishlab chiqarishida ishlatiladi. Estoniya dizaynerlari mato laxtaklaridan o‘ziga xos resurs tejamkor kiyim ishlab chiqarish usulini taklif qilmoqda.

### **Xulosa**

Hozirgi kunda Respublikamizdagi to‘qimachilik korxonalarida chiqindilaridan foydalanib sifatli tiklangan tola olish va ularni samarali ishlatish yo‘llarini izlash dolzarb masaladir, chunki to‘qimachilik sanoatining o‘sib borayotgan ishlab chiqarish hajmi xom ashyo miqdorini oshirishni talab etmoqda. To‘qimachilik chiqindilaridan oqilona foydalanish birlamchi xom ashyo resurslarini tejashga, ishlab chiqarilayotgan mahsulotlar assortimentini kengaytirishga, mahsulot tannarxini va chiqindilar miqdorini kamaytirishga, ishlab chiqarishda resurstejamkor va chiqitsiz texnologiya yaratish imkoniyatini beradi.

### **Foydalanilgan adabiyotlar**

1. Sulstonov, S. T. (2024). Halqali ip yigirish dastgohlarini cho ‘zish uskunasini takomillashtirish. *Journal of Science-Innovative Research in Uzbekistan*, 2(1), 60-65..
2. Sultanov, S. T. (2023). Improvement of the extraction equipment of ring spinning machines. *Journal of Modern Educational Achievements*, 11(11), 240-244.
3. Muratovna, D. Z., & Madaminovich, P. K. (2023). Precision engineering of "iik-d1" series corrosion inhibitors: production insights. *European Journal of Emerging Technology and Discoveries*, 1(9), 57-62.
4. Sarimsakov, O., Turg‘unov, D., Sattarov, N., Tukhtaev, S., & Sulstonov, S. (2023, June). Analysis of the effect of fiber on differences difference in the microneyr indicator module field. In *AIP Conference Proceedings* (Vol. 2789, No. 1). AIP Publishing.
5. Shi, Y., Zhan, X., Luo, Z., Zhang, Q., & Chen, F. (2008). Quantitative IR characterization of urea groups in waterborne polyurethanes. *Journal of Polymer Science Part A: Polymer Chemistry*, 46(7), 2433-2444.
6. ZM, P. D. (2023). Corrosion Inhibitors Based on Imidozoline. *Texas Journal of Engineering and Technology*, 22, 17-22.
7. Zikirov, M. C., Qosimova, S. F., & Qosimov, L. M. (2021). Direction of modern design activities. *Asian Journal of Multidimensional Research (AJMR)*, 10(2), 11-18.

## IP YIGIRISHNING PAXTA VA KIMYOVIY TOLALARDA O‘ZIGA XOSLIGI

**S.T. Sultonov**

O‘qituvchi, Farg‘ona politexnika institute, Farg‘ona, O‘zbekiston

E-mail: [saminjon007@gmail.com](mailto:saminjon007@gmail.com)

**Mominjonov Zuhridin Raxmiddin o‘g‘li**

92-21 YSTJ guruh talabasi, Farg‘ona politexnika institute, Farg‘ona, O‘zbekiston

### **Annotatsiya**

Mazkur maqolada to‘qimachilikda muhim sanalgan paxta va kimyoviy tolalarni yigirish masalalari muhokama etiladi. Bunda paxtani yigirish, uning sistemalari, texnologiyalari kabilar ko‘rib chiqiladi. Kalit so‘zlar: tola, paxta, yigirish, ip, kalava.

**Kalit so‘zlar:** tola, paxta, yigiruv, ip, kalava.

### **Kirish**

Paxtani yigirish. Paxta tozalash zavodlarida dastlabki ishlov berilgandan so‘ng paxta to‘qimachilik korxonalariga yuboriladi. Bu yerda oldin yigiruv fabrikasiga yuborilib, u yerda tartibsiz tolalardan kalava ip tayyorlanadi. Kalava ipdan ko‘pgina to‘qimachilik buyumlari: gazlamalar, trikotaj, noto‘qima buyumlar, iplar olinadi. Yigirish sistemalari. Tolalar massasidan kalava ip olish uchun paxta bir necha ishlov operatsiyalaridan o‘tishi lozim.

### **Asosiy qism**

Yigiruv fabrikalariga paxta presslangan holda keltiriladi. Dastlabki ishlash zavodlarida dastlabki ishlov berilgandan so‘ng paxta yirik, iflos aralashmalar va chigitlardan tozalanadi. Biroq unda anchagina mayda aralashmalar, shuningdek shikastlangan (kalta) tolalar qoladi. Bu massadagi ayrim tolalar chigallashgan, bir-biriga yopishib qolgan yoki ularga iflos aralashmalar ilashgan bo‘ladi. Shuning uchun paxtani yigirishdagi barcha operatsiyalardan maqsad tolalarni tozalash, tolalarni titish va aralashtirishdan, so‘ngra ularni parallellash maqsadida tarashdan, so‘ng tarash mashinasida o‘tadigan navbatdagi operatsiya tarash deb ataladi. Mashinaga paxta xolst yoki titilgan massa tarzida beriladi (xolstsiz



ta'minlash). Tarash mashinasida tolalar massasiga oldin arrali lenta va valiklar tishlari, so'ngra mashina ish organlar garniturasining ingichka ignalari ta'sir etadi. Buning natijasidapaxta bo'laklari ayrim tolalarga taraladi va ayni vaqtda yopishqoq aralashmalarhamda kalta tolalardan tozalanadi taralgandan so'ng, qisman parallellashgan ingichka tolalardan diametri 1-3 sm li uzun bo'sh yumaloq yarim fabrikat — piltahosil bo'ladi. Piltadagi tolalar taralgan, deyarli bir-biri bilan bog'lanmagan, lekin to'g'rilanmagan bo'ladi. Piltaning o'zi yo'gonligi bo'yicha bir tekis bo'lmaydi. Tolalarni to'g'rilash va piltani tekislash uchun bir necha pilta qo'shiladi, so'ngra dastlabki piltalar yo'g'onligiga kelguncha ingichkalashtiriladi. Qo'shish natijasida piltalar tekislanadi [1], chunki bir piltaning yo'g'on joylari ikkinchi piltaningingichka joylarini to'ldiradi. Pilta yanada ingichkalashtirilganda tolalar tekislanadi va piltao'qiga nisbatan yo'naladi. Piltani ingichkalashtirish uchun bir-biriga qisilgan silindrlar jufti (cho'zish juftlari) orasidan o'tkaziladi va old juftning tezligi ketingisidikidan pasaytiriladi. Navbatdagi operatsiya (o'tish) piltani kalava ip tayyorlash uchun yaroqlio'lchamgacha ingichkalashtirishdan iborat. Bu operatsiya pilik mashinasida bajariladi. Uning cho'zish pribori piltani ingichkalashtiradi. Bu o'tishda olingan mahsulot pilik deb ataladi. U ingichka pilta bo'lib, minimal pishiqlik berish uchun u bir oz pishiriladi [3].

Kalava ip tayorlashdagi oxirgi yakunlovchi operatsiya yigiruv mashinalarida bajariladi. Bu yerda pilik kalava ip yo'g'onligiga kelguncha cho'ziladi, pishiriladi va ingichka hamda pishiq kalava ia hosil bo'ladi. Yigirish jarayoni urchuq va begunokli halkali yigiruv mashinalarida yoki urchuqsiz pnevmomexanik mashinalarda bajariladi. Yigiruv fabrikasida paxtani qayta ishlashning bayon qilingan izchilligi karda (oddiy) izchilligi deb ataladi. Paxtani karda sistemasida qayta ishlash tartibi Qayta ishlash bosqichi Jihozlar va ishlab chiqariladigan mahsulot Halqali usul Pnevmo mexanik usul Titish, savash, tozalash Tarash Bir tekis pilta tayyorlash Pilik tayyorlash (ingichkalashtirish) Kalava ip tayyorlash Titish-savash agregati,xolst Tarash mashinasi, pilta Pilta mashinasi (2o'tish), pilta Pili kmashinasi, pilikhosil bo'ladi Xalqali yigiruv mashinasi, kalava ip Titish-savash agregati,xolst tarash mashinasi, pilta Pilta mashinasi (2o'tish), pilta - Pnevmomexanik yigiruv mashinasi, kalava ip.

### **Muhokama**

Paxta kalava ipning ko'p qismi shu sistemada ishlab chiqariladi. Bundantashqari, qayta tarash, apparat va melanj sistemalari ham mavjud. Karda va



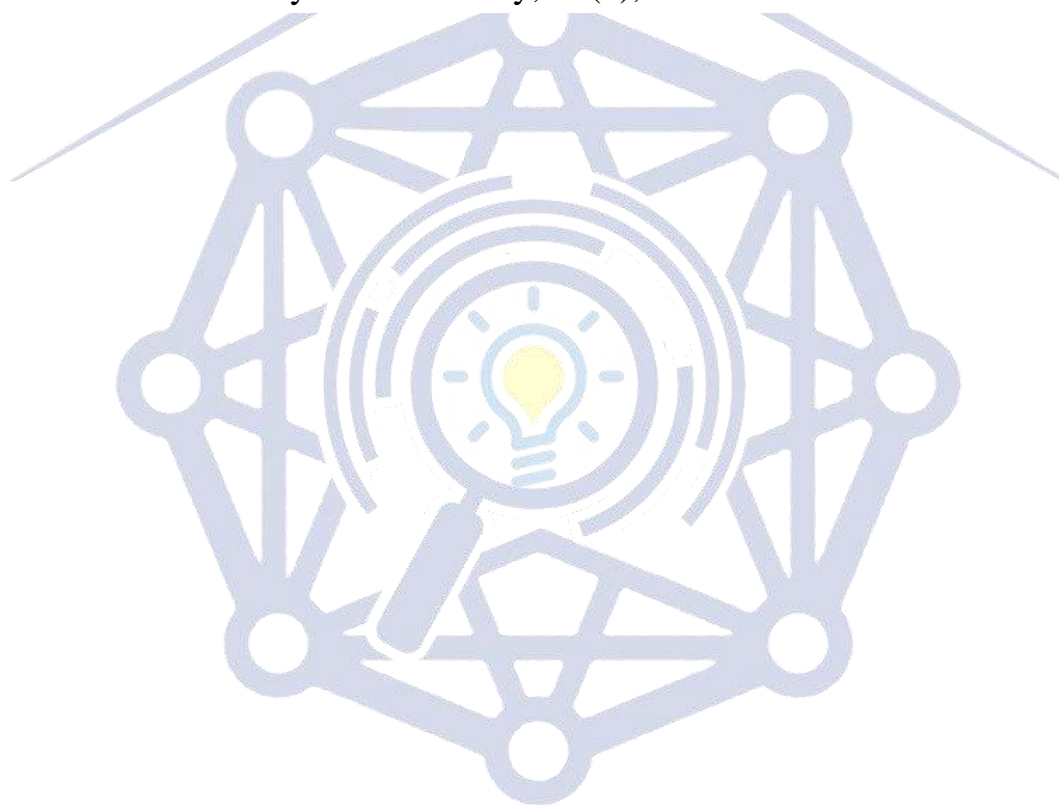
qayta tarash sistemalarida yigirishning ikki usuli: halkali va pnevmomexanik usullari bo‘ladi. Hozirgi vaqtda apparat sistemasi o‘rniga karda sistemasi qo‘llanilmoqda. Unda rotorli pnevmomexanik yoki aerodinamik yigiruv mashinalaridan foydalaniladi. Melanj sistemasi umuman karda sistemasini takrorlaydi, lekin unda paxtanibo‘yash bilan bog‘liq bo‘lgan qo‘shimcha o‘tishlar bo‘ladi. XULOSA Apparat sistemasida uncha pishiq bo‘lmagan g‘ovak mayin kalava ip ishlab chiqariladi. Bunday kalava ipning sifatiga yuqori talablar qo‘yilmaydi. Xomashyo sifatida har xil uzunlikdagi tolalar, ko‘p miqdorda chiqindilar (kuyindilar), shuningdek har xil tolalar aralashmalari ishlatiladi. Har xil tolalar aralashmalarini titish va savash operatsiyalari alohida bajariladi, keyin tolalar aralastirilib, ayni vaqtda moylanadi. Apparat sistemasining o‘ziga xos xususiyati shundaki, tarashdan keyin mahsulotni ingichkalashtirish cho‘zish jarayonida emas, balki paxtani tarab ayrim piltalarga ajratish va piltalarni bo‘shgina o‘rib ulardan piliklar hosil qilish yo‘li bilan bajariladi [4-7]. Bu sistemada tarash operatsiyasi 2—3 karda tarash o‘tishini va pilik karetkasini o‘z ichiga oladigan tarash apparatlarida bajariladi. Olingan pilik yigiruv mashinasiga uzatiladi. Tarash apparatida olingan pilikda tolalar uncha to‘g‘rilanmagan bo‘ladi, shuning uchun kalava ipning strukturasi g‘ovak chiqadi.

#### Foydalanilgan adabiyotlar

1. Sulstonov, S. T. (2024). Halqali ip yigirish dastgohlarini cho‘zish uskunasi takomillashtirish. *Journal of Science-Innovative Research in Uzbekistan*, 2(1), 60-65..
2. Sultanov, S. T. (2023). Improvement of the extraction equipment of ring spinning machines. *Journal of Modern Educational Achievements*, 11(11), 240-244.
3. Muratovna, D. Z., & Madaminovich, P. K. (2023). Precision engineering of "iik-d1" series corrosion inhibitors: production insights. *European Journal of Emerging Technology and Discoveries*, 1(9), 57-62.
4. Sarimsakov, O., Turg‘unov, D., Sattarov, N., Tukhtaev, S., & Sulstonov, S. (2023, June). Analysis of the effect of fiber on differences difference in the microneyr indicator module field. In *AIP Conference Proceedings* (Vol. 2789, No. 1). AIP Publishing.



5. ZM, P. D. (2023). Corrosion Inhibitors Based on Imidozoline. Texas Journal of Engineering and Technology, 22, 17-22.
6. Zikirov, M. C., Qosimova, S. F., & Qosimov, L. M. (2021). Direction of modern design activities. Asian Journal of Multidimensional Research (AJMR), 10(2), 11-18.
7. Shi, Y., Zhan, X., Luo, Z., Zhang, Q., & Chen, F. (2008). Quantitative IR characterization of urea groups in waterborne polyurethanes. Journal of Polymer Science Part A: Polymer Chemistry, 46(7), 2433-2444.



---

# Research Science and Innovation House



## PAXTA TOLASIDAN ISHLAB CHIQRILGAN MAHSULOT SIFAT KO‘RSATKICHLARINI BOSHQARISH

**S.T. Sultonov**

O‘qituvchi, Farg‘ona politexnika institute, Farg‘ona, O‘zbekiston

E-mail: [saminjon007@gmail.com](mailto:saminjon007@gmail.com)

**Mamadaminov Ramazon Komiljon o‘g‘li**

92-21 YSTJ guruh talabasi, Farg‘ona politexnika institute, Farg‘ona,

O‘zbekiston

### **Annotatsiya.**

Ushbu maqolada mamlakatimizda iqtisodiyotni rivojlantirish, korxonalar faoliyatida boshqaruv tizimini takomillashtirish, korxonada mahsulot sifat ko‘rsatkichlarini boshqarish jarayonlari haqida muallif tomonidan ilmiy-nazariy va amaliy jihatlar ochib berilgan.

**Kalit so‘zlar:** korxonada, iqtisodiyot, mahsulot sifati, sifatni boshqarish

### **Kirish**

Zamonaviy bozor iqtisodiyoti sharoitida mahsulotning nafliligi, uning xaridor iste‘molini qondira olishi muhim ahamiyat kasb etadi. Shu bois bugungi kundagi bozor iqtisodiyoti ishlab chiqariladigan mahsulot va ko‘rsatiladigan xizmat uchun qat‘iy sifat talablarini qo‘yadi. Shuningdek, mahsulot sifati uning raqobatbardoshlik darajasi yuqori bo‘lishi uchun ham xizmat qiluvchi asosiy ko‘rsatkich hisoblanadi. Korxonalarda sifat boshqaruvi uslublarini takomillashtirishning dolzarbligi so‘nggi yillarda zamonaviy progressiv tashkilotlarga sifat vositalari va uslublarini joriy etish orqali mahsulot va xizmatlar sifatini oshirishga yo‘naltirilganligi bilan izohlanadi. Sifat boshqaruvi tashkilotning iqtisodiy rivojlanishi uchun vosita bo‘lib, sifat menejmenti uslublarini takomillashtirish korxonada samaradorligini oshirishga bevosita ta‘sir qiladi va ishlab chiqarish xarajatlarini optimallashtirishga olib keladi.

### **Asosiy qism**

Sifatni boshqarish uslublarini takomillashtirish tashkilotni baholashning eng muhim mezonlaridan biri hisoblanadi. Sifat boshqaruvi kompaniya faoliyatining asosiy yo‘nalishlaridan biri bo‘lib, chunki u nafaqat mijozlar talablariga javob



beradigan yuqori sifatlimahsulot yoki xizmatlarni ishlab chiqarish, balki bozorning yangi talablariga tez javob berish imkonini beradi. Sifat ko'rsatkichlarining pasayishi tarkibiy qismlarning jismoniy eskirishi, ishlab chiqarilgan mahsulotning ichki tuzilishi yoki xususiyatlarining o'zgarishi, uning jismoniy eskirishi tufayli yuzaga kelishi mumkin. Sifat ko'rsatkichlari ishlab chiqarish jarayonida bir qator sabablarga ko'ra ma'lum jihatlari bilan farq qilishi mumkin. Ular bevosita mahsulotni ishlab chiqarish texnologiyasiga, yetkazib beriladigan komponentlarning sifatiga, mashinalar va ishlab chiqarish uskunalarning texnologik holatiga, o'lchash asboblari, xodimlarni rag'batlantirish vositalariga, ichki va tashqi tashkiliy muhitning boshqa ko'plab omillariga bog'liq. Ishlab chiqarilgan mahsulotning sifati mahsulot ishlab chiqarishning barcha bosqichlarida yuzaga keladigan ko'plab tasodifiy omillarga ham bog'liq. Sifat menejmenti tizimini joriy qilish tashkilotdagi barcha bo'limlarning muvofiqlashtirilgan faoliyati orqali ushbu omillarning paydo bo'lishining oldini olish uchun zarurdir. Bu holda sifat menejmenti tizimi ishlab chiqarish jarayoniga doimiy ta'sir ko'rsatadigan tuzatish choralarini va ishlab chiqarilgan mahsulotni oxirgi foydalanuvchini qoniqtiradigan sifat darajasi bilan sotishni ta'minlaydi. Sifatni boshqarishda tizim, muhit, maqsad, dastur kabi tushunchalar doimiy ravishda qo'llaniladi. Nazorat tizimi va boshqaruv tizimi ham mavjud. Korxonani boshqarishning ko'p darajalari boshqariladigan tizim kabi ko'rinadi. Sifat menejmenti tizimi boshqaruv tizimi tomonidan yaratiladi va qo'llab-quvvatlanadi. Sifat bilan bog'liq muammolarni hal qilish uchun mahsulotning hayot aylanishining barcha bosqichlarida sifatni to'g'ri baholash kerak. Sifatni baholash mahsulotni ishlab chiqarish va foydalanishning har qanday bosqichida sifat menejmentini shakllantirishga asoslangan. Mahsulotning sifat darajasi, u baholanayotgan mahsulotning sifat ko'rsatkichlarini tegishli asosiy ko'rsatkichlar bilan taqqoslashga asoslanadi. Asosiy qiymat, ma'lum vaqt davomida erishishi mumkin bo'lgan maqbul daraja sifatida namoyon bo'ladi. Asosiy qiymatlarning namunasi ishonchli sifat ma'lumotlari bilan ma'lum vaqt ichida erishilgan ko'rsatkichlarning eng yaxshi mahalliy va xorijiy namunalari bo'lishi mumkin. Mahsulotning sifat darajasini baholash baholanayotgan mahsulotning sifat ko'rsatkichlarini tanlash, ushbu ko'rsatkichlarning qiymatlarini aniqlash va ularni asosiy sifatida tanlangan ko'rsatkichlar bilan taqqoslash bo'yicha harakatlardir. Mahsulotning sifat ko'rsatkichlarini tanlash uni qo'llashning maqsadi va shartlarini, iste'molchilarning talablarini hisobga olgan holda, shuningdek mahsulotni qo'llash

sohasidagi amaldagi sifat talablarini hisobga olgan holda amalga oshiriladi. Sifat darajasini baholashni bosqichlarga bo‘lish mumkin. Ishlab chiqarilgan mahsulotning sifat darajasini baholash bosqichlari 7-rasmda keltirilgan. Bugungi kunda mamlakat iqtisodiyotini rivojlantirish uchun xususiy tadbirkorlik, kichik va o‘rta biznesni rivojlantirish, mamlakatimizning eksport salohiyatini oshirish va mahalliy mahsulotlarni ilgari surish vazifasi turibdi. Xalqaro standartlarga muvofiq sifat boshqaruvi tizimlarini joriy etish ushbu chora-tadbirlarni samarali amalga oshirish uchun dolzarb vazifaga aylandi. Mahsulot ishlab chiqarishning tartibga solinadigan va tartibga solinmagan davlat qonunchiligida ham sifat menejmentining yagona tizimini ishlab chiqish, shuningdek, ishlab chiqaruvchi bajarishi kerak bo‘lgan turli xil standartlar, ko‘rsatmalar, qoidalar va boshqa hujjatlarning umumiy sonini kamaytirishga yordam beradi. ularning soni va nomuvofiqligi tufayli u ko‘pincha qila olmaydi bajarish. Sifatni boshqarish sohasidagi korxonalar oldida turgan barcha muammolarni hal qilishni ta'minlash uchun maxsus tayyorlangan mutaxassislar kerak. Bular sifat menejerlari. Ularning funktsiyalari, birinchi navbatda, sifat tizimi darajasida sifatni tashkil etish va boshqarish, shuningdek operatsion darajada boshqaruvni tashkil qilishni o‘z ichiga oladi. Xalqaro bozorda o‘z mahsulotlari bilan zamonaviy kompaniya rejalashtirilgan mahsulot sifatiga erishish uchun yuqorida aytib o‘tilgan barcha sifat menejmenti tizimlaridan foydalanadi. Natijada sifat menejmenti tizimini joriy etishning zamonaviy usullari korxonaning raqobatbardosh ustunligini oshiradigan tizimli ishlarga imkon beradi. Mijozlar, ayniqsa yirik mijozlar, ko‘pincha shartnoma tuzishdan oldin mahsulot sifatiga ishonch hosil qilishni afzal ko‘rishadi. Taqdimot, rasm va ko‘rgazma namunalari ishonch bera olmaydi. Shuning uchun xalqaro standartlar tizimi joriy etish va unga rioya qilish mijozlarga ma'lum sifat darajasini kafolatlaydi.

Uning yordami bilan:

- mijozlarning ishonchini oshirish orqali doimiy mijozlarni ishonchli ushlab turish orqali mijozlar bilan yanada samarali ishlash mumkin;
- xodimlar natijalar uchun javobgarlikni his qilganda korxonaning ishlab chiqarish madaniyatini yaratishga ta'sir qilish;
- kompaniyaning investorlar uchun jozibadorligi oshadi;
- kompaniyaning ijobiy obro‘si shakllanadi;
- korxonalar moliyaviy jihatdan barqarorlashadi.



Korxonalarda sifat menejmenti uslublarini takomillashtirishning dolzarbligi so‘nggi yillarda zamonaviy ilg‘or korxonalar tashkilotlarda sifat vositalari va usullarini joriy etish orqali mahsulot va xizmatlar sifatini oshirishga qaratilganligi bilan izohlanadi. Sifat menejmenti uslublarini takomillashtirish tashkilotni baholashning eng muhim mezonlaridan biri uning raqobatbardoshligini oshiradi.

#### Foydalanilgan adabiyotlar

1. Sulstonov, S. T. (2024). Halqali ip yigirish dastgohlarini cho ‘zish uskunasini takomillashtirish. *Journal of Science-Innovative Research in Uzbekistan*, 2(1), 60-65..
2. Sultanov, S. T. (2023). Improvement of the extraction equipment of ring spinning machines. *Journal of Modern Educational Achievements*, 11(11), 240-244.
3. Muratovna, D. Z., & Madaminovich, P. K. (2023). Precision engineering of " iik-d1" series corrosion inhibitors: production insights. *European Journal of Emerging Technology and Discoveries*, 1(9), 57-62.
4. Shi, Y., Zhan, X., Luo, Z., Zhang, Q., & Chen, F. (2008). Quantitative IR characterization of urea groups in waterborne polyurethanes. *Journal of Polymer Science Part A: Polymer Chemistry*, 46(7), 2433-2444.
5. ZM, P. D. (2023). Corrosion Inhibitors Based on Imidozoline. *Texas Journal of Engineering and Technology*, 22, 17-22.
6. Zikirov, M. C., Qosimova, S. F., & Qosimov, L. M. (2021). Direction of modern design activities. *Asian Journal of Multidimensional Research (AJMR)*, 10(2), 11-18.
7. Sarimsakov, O., Turg‘unov, D., Sattarov, N., Tukhtaev, S., & Sulstonov, S. (2023, June). Analysis of the effect of fiber on differences difference in the microneyr indicator module field. In *AIP Conference Proceedings* (Vol. 2789, No. 1). AIP Publishing.



## MAMLAKATIMIZDA TO‘QIMACHILIK SANOATIDA AMALGA OSHIRILAYOTGAN VA BO‘LAYOTGAN ILMIY TADQIQOTLAR

**S.T. Sultonov**

O‘qituvchi, Farg‘ona politexnika institute, Farg‘ona, O‘zbekiston

E-mail: [saminjon007@gmail.com](mailto:saminjon007@gmail.com)

**Saydullayev Islomjon Anvarjon o‘g‘li**

48-20 YSTJ guruh talabasi, Farg‘ona politexnika institute, Farg‘ona,  
O‘zbekiston

**Maqsudov Dilmurod Valijon o‘g‘li**

48-20 YSTJ guruh talabasi, Farg‘ona politexnika institute, Farg‘ona,  
O‘zbekiston

**Axmadaliev Abdulaziz Abdulatif o‘g‘li**

92-21 YSTJ guruh talabasi, Farg‘ona politexnika institute, Farg‘ona,  
O‘zbekiston

### **Annotatsiya**

Shuni ta’kidlash kerakki, Tryuchler firmasi avtotoyitkichdan so‘ng samarasi yuqori bo‘lganligi uchun aynan ko‘p funksiyali separatorni, undan keyin esa dastlabki tozalash mashinasini tavsiya etadi. Shunday qilib, dastlabki tozalash mashinasidan oldin og‘ir jismlar, metallar separatorlari, yong‘in oldini oluvchi separatorlar keng ko‘lamda qo‘llanilmoqda. Ularda asosan har xil prinsipda ishlovchi sezgir va ijrochi elementlardan hamda eng sodda qurilmalardan foydalanilgan. Mamlakatimizda standart talablariga asoslangan holda sifatli to‘qimachilik olovbardosh matosi olinganligi, matoning fizik mexanik xossalarini tadqiq etilganligi keltirilgan.

**Kalit so‘zlar:** paxta va xrizotil tolasi, tanda va arqoq ipi, laboratriya sinov olib borish uchun asbob uskunalar.





## Kirish

Mamlakatimizda 1991-yilda paxta tolasini qayta ishlash hajmi 7 foizdan oshmagan bo'lsa, 2016-yilda bu ko'rsatkich 40 foizgacha o'sdi. Bugungi kunda tarmoq korxonalari mahalliy to'qimachilik mahsulotlarini jahondagi 50 dan ziyod mamlakatga eksport qilmoqda. Jumladan, so'nggi yillarda Braziliya, Chili, Xorvatiya, Nigeriya kabi davlatlarga yengil sanoat mahsulotlarining eksporti yo'lga qo'yildi. O'zbekiston Respublikasi Prezidenti Shavkat Mirziyoyevning 2016-yil 21-dekabrda «2017-2019-yillarda to'qimachilik va tikuv-trikotaj sanoatini yanada rivojlantirish chora-tadbirlari dasturi to'g'risida»gi qarori sohada yangi imkoniyatlar eshigini ochdi. Mazkur dastur 2020-yilga qadar yurtimizda yetishtirilgan paxta tolasini to'liq qayta ishlash, sanoat mahsulotlari ishlab chiqarish va eksport salohiyatini 2,7 barobardan ko'proqqa oshirish hamda ichkiy atashqi bozorga yetkazib berishni nazarda tutadi, deydi “O'zbekengilsanoat” aksiyadorlik jamiyati boshqarma boshlig'i o'rinbosari Sanjar To'xtayev. Bu yengil sanoat tarmog'ining yangi raqobatbardosh qiyofasini yaratish va jahon savdo maydonlariga ishonchli kirib borishimizni ta'minlaydi [1-4.]

## Tadqiqot materiallari va metodologiyasi

O'zbekiston Respublikasi Prezidentining 19 may 2020 yildagi PF-5997-son Farmoniga muvofiq “Yong'in xavfsizligi to'g'risida”g'i O'zbekiston Respublikasi Qonunini bajarilishi yuzasidan, yong'inlarning oldini olish va ularni o'chirishida, muhandis-texnik xodimlarni, ishchi va xizmatchilarni sog'ligi va xavfsizligini ta'minlash maqsadida “Maxsus keyimlar uchun mo'ljallangan to'qimalarning olovbardoshlik xususiyatini oshirish maqsadida” paxta tolasiga xrizoti tolasini aralashtirish orqali sifatli ip va to'qimalari ishlab chiqarish, assortimentlar guruhini ko'paytirish, eksportbop tayyor mahsulotlar bilan jahon bozorini to'ldirish borasida salmoqli ishlarni amalga oshirishni taqozo etadi [2-5].

GOST 12.1.004-01 “Yong'in xavfsizligi” standartida keltirilgan bo'lib, yong'inni oldini olish chora-tadbirlarini va yong'inga qarshi himoya tizimlarini qo'llashni, shuningdek tashkiliy texnik tadbirlarni o'z ichiga oladi hamda yong'inning xavfli omillari yoki ikkilamchi ta'siri odamlarni ommaviy jarohatlanishiga sabab bulishi mumkin bo'lgan obektlarda yong'in chiqish ehtimolini eng past darajasini ta'minlovchi yong'in xavfsizligi tizimlariga ega bo'lishi lozimligi ko'rsatilgan. Respublikamizda to'qimachilik materiallarini alanganishini tekshirishda O'zDSt 2456:2012 “To'qimachilik gazlamalarining

yong‘in xavfsizligi. Dekarativ gazlamalar Sinflani shi va alanganishiga sinash usuli” standartiga amal qilinadi [2-6].

Ma‘lumki, olovbardosh to‘qimalar o‘ziga xos xususiyatlarga ega bo‘lib, shu bilan birga tolali materiallar va yong‘indan himoyalovchi inson sog‘ligi hamda xavfsizligini himoya qilish xususiyati bilan baholanadi. Ishlab chiqarilgan olovbardosh to‘qimachilik iplari va to‘qimalaranig xusiyatga ega bo‘lishi bilan birga, o‘to‘chiruvchi hodimlarning maxsus kiyimlari havo o‘tkazuvchanligi hamda o‘to‘chiruvchi xodimlarining tezkor yordam ko‘rsatish harakatiga mosholda qulayliklarga ega bo‘lishini ta‘minlash talab etiladi. O‘to‘chiruvchi hodimlarning maxsus kiyimiga qo‘yilgan talablarni o‘rganish natijalariga ko‘ra yuqorida qayd etilgan xususiyatlarni yaxshilash maqsadida olovbardos hipva to‘qimalar olish nafaqat to‘qimaning sirtiga kimyoviy himoya qoplamlar singdirish orqali, balki xrizotil tolasini paxta tolasiga aralashtirish yo‘li orqali erishish hartomonlama qulay hisoblanadi. Xrizotil tolasini paxta tolasiga aralashtirish va iplarning sirtida chiqib qolgan paxta tola ilmoqliuchlarini olov alangasidan saqlab qolish uchun ohorlash jarayoni miqdoriy qismininazariy tahlilini bajarish ilmiy ishda qo‘yilgan maqsadga erishish uchun imkon yaratadi. Ishda qo‘yilgan maqsadga erishish uchun belgilanadigan vazifalarni bajarish olinadigan olovbardos hipva to‘qimaning imkoniyatlarini kengaytiradi. Shuning uchun xrizotil tolasini paxta tolasiga aralashtirish yo‘li orqali ishlab chiqarilgan o‘t o‘chiruvchi hodimlarining maxsus kiyimlarini ishlab chiqarishga mo‘ljallangan to‘qima uchun ipning ohordan o‘tish tezligini aniqlash, ohorning ipga to‘liq singdirish ko‘rsatkichini belgilab berdi. Tadqiqot obekti sifatida xrizotil tolasini vapaxta tolasini, ip oxorlash jihozlari tanlandi. Ishlab chiqarilgan iplarning sifat ko‘rsatkichlarini aniqlash uchun zamonaviy jihozlardan foydalanildi. Xrizotil (toshpaxta) tolasini va paxta tolasini bilan aralashtirish yo‘li orqali undan olingan olovbardosh ipning sifatini yaxshilashdan iborat. Ko‘zlangan maqsadga erishish uchun turli foizlar miqdorida xrizotil va paxta tolasini aralashmali iplar olishga erishildi, ishlab chiqarilgan iplarning fizika-mexanikaviy xossalari yaxshilandi, iplar assortimenti ko‘paydi [7-10]. Xrizotil va paxta tolaridan unumli foydalanish, uning tolalarni yig‘ishning mavsumiga, uni qayta ishlashga bog‘liq bo‘lib, ishlab chiqarilgan iplar aralashma tarkibli olovbardosh to‘qima ishlab chiqarish imkonini beradi va o‘to‘chiruvchi xodimlarining maxsus kiyimlari uchun mos kelishi va xodim uchun eng avval oxavfsizligi hamda havo o‘tkazuvchanligini ta‘minlaydi. Xrizotil va paxta tolasini qayta ishlash va ip ishlab



chiqarish bo'yicha ko'p izlanishlar va tadqiqotlar olib borilgan, ammo shu kunga qadar amalga oshirilgan ishlar shuni ko'rsatadiki, bajarilgan tadqiqotlar nazariy va amaliy jihatdan asosliliigi yetarli darajada oxiriga yetkazilmagan. Xrizotil va paxta aralashmali to'qimalar ishlab chiqarish uchun tanda iplarni tanlashda uning pishiqligi va suvga kirishuvchanligi kam, havo o'tkazuvchanligi, gigiyenik xususiyati muhim hisoblanadi. To'qimadan foydalanish jarayonida yuqorida qayd etilgan xususiyatlar mujassam bo'lishi zarur. Aralashma iplarning fizik-mexanik xosalarini tahlil etishda, ularni shakllantirish parametrlarining ma'lumotlari, matematik statistika uslublariga asoslangan. Tajribaviy tadqiqotlar TTESI qoshidagi "CentexUz" sinov laboratoriyasi hamda O'Z FVVYOX ITI qoshidagi sinov laboratorisining zamonaviy asbob-uskunalarida o'tkazildi.

### **Tadqiqot natijalari**

Turli foizlar miqdorida xrizotil va paxta tolasi aralashmali iplarning fizik-mexanik xossalari tahlil qilingan va taqqoslash uchun muqobil variant tanlangan;

Ishlab chiqarishga tadbiiq etish uchun namuna iplari olingan va olovbardosh matoto'qilgan turli foizlar miqdorida Xrizotil va paxta tolasi aralashmalar tanlandi va aralashmalardan iplar olish hisoblari bajarildi;

Turli foizlar miqdorida Xrizotil va paxta tolasi aralashmali iplarning fizik-mexanik xossalari tahlil qilindi vataqqoslash uchun muqobil variant tanlandi; ishlab chiqarishga tadbiiq etish uchun namuna iplar iolindi.

Xrizotil va paxta tolasi aralashmali iplarning olovgabardoshlilik darajasi 70% ga oshganligi aniqlandi; Ishlab chiqarilgan Xrizotil va paxta tolasi aralashmali iplarning sifatini yaxshilanishi, ularga bo'lgan iste'molchilarning ehtiyojini oshiradi; Xrizotil va paxta tolasi aralashmali iplarning uzish kuchi paxta va lavsan aralashmali iplarga nisbatan 37% gaoshdi. Tabiiy xrizotil tolasi va paxta tolasi asosida olingan olovbardosh to'qimachilik materiallarini fizik-mexanik yong'in-texnik xosalarini tadqiq etish, ularni takomillashtirish bo'yicha tajriba sinovlarini o'tkazish o'ziga xos murakkablikga ega. Asosiysi to'qimachilik materiallarini olovbardoshligiga ta'sir etuvchi omillarni ko'pligi, ularni bir-biriga bog'liqligi hamda o'zgarish chegaralari aniq emasligi hisoblanadi. Shuning uchun ta'sir etuvchi aksariyat hollarda ketma-ketlikda amalga oshiriladi. Tajribalar uch taqaytalikda o'tkazildi. Tajriba natijalari quyidagi tartibda matematik qayta ishlandi.

Tajriba natijalarida keskin ajralib turgan qiymatlarni chiqarib tashlash;



Tasodifiy, o‘lchamlarni sonli xarakteriskasini aniqlash: o‘rtacha qiymati, dispersiya yoki o‘rtacha kvadrat cheklanishi, va regressiya tenglamalari va ularni koeffitsentlarini aniqlash: olingan tenglamani adekvatligini aniqlash va tahlil qilish.

Tajriba natijalarida keskin ajralib turgan kiruvchi va chiquvchi omillar qiymatlarini chiqarib tashlash quyidagi tartibda amalga oshiriladi.

o‘rtacha qiymat  $\{\bar{V}\}$  va dispersiya  $S2\{y\}$  Bunda m-tajriba qaytaliligi, V-kirish omilini tajribada aniqlangan qiymati,  $\bar{V}$ - O‘rtacha qiymat. So‘ngra smirnova-Grabskriteriyasining hisobiy qiymati bo‘yicha maksimal qiymat  $V_i$  maxdan keskin farqqiluvchi tajribaviy qiymati quyidagi formula bilan aniqlanadi.

**Vrmax = (Vrmax)**Tajribada olingan natijalari keskin farqqiluvchi minimal qiymati **Vrmin**aniqlandi. **Vrmin**So‘ngra aniqlangan **Vrmax** va **Vrmin** qiymatlarini kriteriyani kritik qiymati bilan taqqoslandi. Regressiya tenglamasi turini aniqlash uchun  $V=(x)$  grafigi qurildi.(V- chiqish parametri) x-ta’sir etuvch iomillar.

Regressiya tenglamasi koeffitsiyentlarini aniqlashda kichik kvadratlar metodidan foydaldaniladi.Chiziqli tenlamalar koeffitsiyentini ( $y= \alpha_0 + \alpha_1 x$ ) va chiziqli bo‘lmagan tenglamalar koeffitsiyentlari ( $y= \alpha_0 + \alpha_1 x + \alpha_2 x^2$ ) ko‘rsatkichlari aniqlandi.

### **Muhokama**

Dunyoda yong‘in xavfsizligi, favqulotda holatlar ,metallurgiya va boshqa sohalar xizmatlari uchun maxsus keyim, texnik to‘qima ,izolatsion yopqich materiallari shlab chiqarish uchun talab etiladigan olovbardosh to‘qimachilik to‘qimalari yaratish alohida ahamiyat kasb etadi. Bunday to‘qimalarni ishlab chiqarishda termobarqaror ,yonuvchanligi, alanganishi kam bo‘lgan tola va iplardan foydalanishi bilan bir qatorda paxta va xrizotil tolalardan tayyorlangan to‘qimalarga antiperin moddalar bilan maxsus ishlov berishning ham o‘z o‘rni va ahamiyati yuqori. Sohadan kelib chiqib tayyorlanayotgan maxsus kiyimlar uchun mo‘ljallangan to‘qimalar tanlab olinishi kerak. Yong‘in xavfsizligi uchun olovbardosh to‘qimalar olinsa, boshqa sanoat korxonalari uchun trikotaj, igna bilan sanchib qavilgan noto‘qima, va materialar va shunga o‘xshash to‘qimalaridan foydalanish mumkin. Shunday to‘qimalarga olovbardoshlik xossasini berib olingan tadqiqot natijalari o‘rganildi.





## Xulosa

Xrizotil tolasi va paxta tolali aralashma tarkibli tuquv ipini maxsus oxorlash asosida olovbardosh materiallarning yong‘in-texnik xossalari hamda to‘qimachilik matolari yong‘inga xavfliligi bo‘yicha yong‘in-texnik tasniflari o‘rganildi. Olovbardosh mato sifatida tavsiya etilayotgan barcha to‘qimachilik materiallarining yong‘in texnik ko‘rsatkichlari va cho‘g‘lanish davomida ajralayotgan tutun hosil qilish koeffitsiyentlari O‘zDavStandart agentligi tomonidan sertifikatdan o‘tkazilgan “Qattiq modda va materiallarda tutun hosil qilish koeffitsiyentini aniqlash” qurilmasidan foydalanilgan. Olingan tadqiqot natijalariga ko‘ra, Xrizotil tolali aralashma tarkibli tanda va arqoq iplar o‘to‘chiruvchi xodimlar kiyimi uchun ishlab chiqariladigan to‘qima talablariga mos ekanligi va olovbardoshlik hamda havo o‘tqazuvchanlik xususiyati yuqoriligi, solishtirma uzilish kuchi kamayganligi aniqlandi.

## Adabiyotlar

1. Sh. Mirziyoyevning 2017 yil 7 fevraldagi PF – 4947-son “O‘zbekiston Respublikasini yanada rivojlantirish bo‘yicha harakatlar strategiyasi to‘g‘risida”gi qonuni.
2. Sh. Mirziyoyevning 2017 yilning 23 maydagi 2992-son “Ichki ishlar organlari yong‘in xavfsizligi bo‘linmalari faoliyatini tubdan takomillashtirish chora-tadbirlari to‘g‘risida”gi qarori.
3. “O‘zstandart” agentligi tomonidan 14 iyyul 2017 yil №05-81 sonli buyrug‘I asosida O‘zDst3191-2017 “O‘to‘chiruvchi xodimlar kiyimiga qo‘yilgan texnikaviy shartlar”istandarti.
4. Sulstonov, S. T. (2024). Halqali ip yigirish dastgohlarini cho‘zish uskunasi takomillashtirish. Journal of Science-Innovative Research in Uzbekistan, 2(1), 60-65..
5. Sultanov, S. T. (2023). Improvement of the extraction equipment of ring spinning machines. Journal of Modern Educational Achievements, 11(11), 240-244.
6. Muratovna, D. Z., & Madaminovich, P. K. (2023). Precision engineering of "iik-d1" series corrosion inhibitors: production insights. European Journal of Emerging Technology and Discoveries, 1(9), 57-62.

7. Shi, Y., Zhan, X., Luo, Z., Zhang, Q., & Chen, F. (2008). Quantitative IR characterization of urea groups in waterborne polyurethanes. *Journal of Polymer Science Part A: Polymer Chemistry*, 46(7), 2433-2444.
8. ZM, P. D. (2023). Corrosion Inhibitors Based on Imidozoline. *Texas Journal of Engineering and Technology*, 22, 17-22.
9. Zikirov, M. C., Qosimova, S. F., & Qosimov, L. M. (2021). Direction of modern design activities. *Asian Journal of Multidimensional Research (AJMR)*, 10(2), 11-18.
10. Sarimsakov, O., Turg'unov, D., Sattarov, N., Tukhtaev, S., & Sultonov, S. (2023, June). Analysis of the effect of fiber on differences difference in the microneyr indicator module field. In *AIP Conference Proceedings (Vol. 2789, No. 1)*. AIP Publishing.



---

# Research Science and Innovation House





## IMPROVEMENT OF THE CONSTRUCTION OF THE 2-CHTL STONE CATCHER USED IN THE COTTON CLEANING PLANT

**H. E. Turdiyev**

Lecturer, Fergana Polytechnic Institute, Fergana, Uzbekistan

**S. Xamroliyeva**

45-20 YSTJ guruh talabasi, Farg‘ona politexnika institute, Farg‘ona,  
O‘zbekiston

**N. Umaraliyeva**

45-20 YSTJ guruh talabasi, Farg‘ona politexnika institute, Farg‘ona,  
O‘zbekiston

### **Abstract**

The principle of operation of the air conveying device is that the atmospheric air, under the flow created due to the pressure difference, pushes the material being transported along with it into the pipe. The cotton moves in absolute condition in the pipe and reaches the separator.

**Keywords:** air flow, pipe, air pressure, mesh surface, air distributor.

### **Introduction**

The advantage of the transport device with the help of suction air is that it is possible to easily change the working pipe system depending on the location of the storage areas of the cotton ginning enterprises, and the pneumotransport length can be extended by connecting additional pipes to the initial pipes. The production efficiency of the air conveyor depends on the production capacity of the cotton gin [1-3].

The composition of seed cotton significantly affects the efficiency of the installed technology in the technological process of cotton ginning enterprises, their continuous operation. Heavy impurities in cotton during its processing cause damage to working parts of cleaning machines and saw teeth of gins and linters. Such a change causes damage to the seed and fibers during the extraction of fiber from the seed in the ginning machine [4-6].



### **The main part**

This causes a decrease in the cleaning efficiency of the cotton cleaning machines and the addition of impurities to the cotton in the waste. In addition, heavy impurities are the cause of fire as a result of hitting metal working bodies of processing machines. Because of this, the entrapment of heavy compounds in the working chambers of cotton processing machines has always been the focus of scientists and industrial experts in the field, who have sought ways to keep the heavy compounds fully contained in the air conveyor. .

D.L. Kelbert identified the causes of fires in the saw teeth of cotton gins, gins, and linters during the process of separating fiber from seed. It was determined that metal fragments (nails, nuts, washers) contained in heavy alloys are the main cause of this. The composition of the heavy impurities captured by the stone separators installed in the technological process of cotton gins is shown.

The principle of operation of the air conveying device is that the atmospheric air, under the flow created due to the pressure difference, pushes the material being transported along with it into the pipe. The cotton moves in absolute condition in the pipe and reaches the separator. The separator separates the material from the carrier air and transfers it to the next technological equipment [5-7].

The advantage of the transport device with the help of suction air is that it is possible to easily change the working pipe system depending on the location of the storage areas of the cotton ginning enterprises, and the pneumotransport length can be extended by connecting additional pipes to the initial pipes. The production efficiency of the air conveyor depends on the production capacity of the cotton gin. For an advanced ginning plant with one battery, it is 10 tons per hour.

The task of increasing the production capacity, increasing the productivity of the equipment, and improving the quality of the products has been set before the cotton processing industry. The performance of these tasks is more dependent on the operation of the air-borne transport device installed in the area. Because it is directly included in the continuous technological process of the cotton ginning enterprise, and it is considered an important part that determines its initial and work pace.

The coolers are divided into two types depending on where they are installed. The first is the line stones. They are located in the line of the air conveyor and are installed up to the separator. The second is non-linear separators, which are installed after the separator.



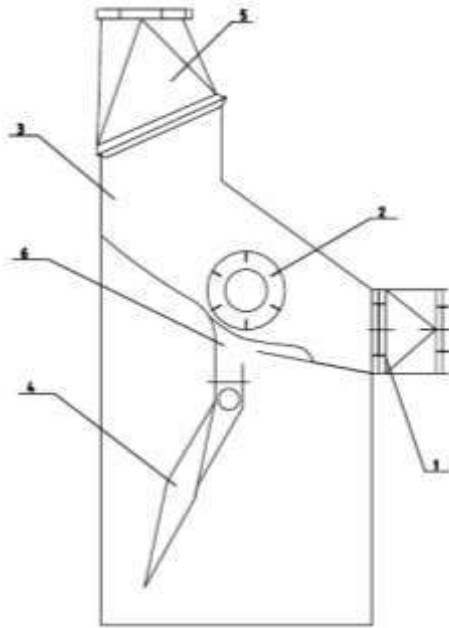


Fig. 1. 2CHTL Heavy Mixture Catcher

1- seeded cotton transfer pipe into the device, 2- aspiration chamber, 3- return wall, 4- catch from heavy mixtures, 5- seeded cotton transfer pipe from the device, 6- observation hatch.

Remove heavy impurities and metal fragments from the cotton as much as possible. it was necessary to study the movement of cotton in the separation chamber of devices created for the purpose of trapping. The aim is to determine the trajectories of cotton and heavy mixtures in the working chambers of the newly created multi-pocket radial and cylindrical stone crushers. With the help of this trajectory, it will be possible to determine the location of the pockets and elastic plates in the working chamber.

### Conclusion

The task of increasing the production capacity, increasing the productivity of the equipment, and improving the quality of the products has been set before the cotton processing industry. The performance of these tasks is more dependent on the operation of the air-borne transport device installed in the area. Because it is directly included in the continuous technological process of the cotton ginning enterprise, and it is considered an important part that determines its initial and work pace.



### References

1. Salimov, M. Akhmatov "Preliminary processing of cotton". Study guide. Tashkent "Knowledge" 2005
2. Babadjanov MA "Technological process design" textbook, Tashkent, Cholpon-2009.
3. J. Jabborov "Technology of seed cotton processing". "Teacher" Tashkent-1987.
4. Turdiyev, H. E., & Ogli, Y. A. K. (2023). Improving the performance of dust collectors vzb-1200 and adding new innovative technologies. Journal of Science-Innovative Research in Uzbekistan, 1(9), 154-160.
5. Muratovna, D. Z., & Madaminovich, P. K. (2023). Precision engineering of "iik-d1" series corrosion inhibitors: production insights. European Journal of Emerging Technology and Discoveries, 1(9), 57-62.
6. ZM, P. D. (2023). Corrosion Inhibitors Based on Imidazole. Texas Journal of Engineering and Technology, 22, 17-22.
7. Zikirov, M. C., Qosimova, S. F., & Qosimov, L. M. (2021). Direction of modern design activities. Asian Journal of Multidimensional Research (AJMR), 10(2), 11-18.

---

# Research Science and Innovation House



## IMPROVEMENT OF THE WORKING CAMERA OF THE DV-1M ROLLER DEVICE EQUIPMENT

**H. E. Turdiyev**

Lecturer, Fergana Polytechnic Institute, Fergana, Uzbekistan

**Z. Khusanova**

45-20 YSTJ guruh talabasi, Farg‘ona politexnika institute, Farg‘ona,  
O‘zbekiston

**N. Mukhammadaliyeva**

45-20 YSTJ guruh talabasi, Farg‘ona politexnika institute, Farg‘ona,  
O‘zbekiston

### **Abstract**

The principle of operation of the air conveying device is that the atmospheric air, under the flow created due to the pressure difference, pushes the material being transported along with it into the pipe. The cotton moves in absolute condition in the pipe and reaches the separator.

**Keywords:** air flow, pipe, air pressure, mesh surface, air distributor.

### **Introduction**

In our republic, comprehensive measures are being taken to develop cotton-textile clusters, modernize and re-equip cotton ginning enterprises, and increase the profitability of the initial processing of raw materials, as well as the competitiveness of manufactured products, and certain results are being achieved. In the new development strategy of Uzbekistan for 2022-2026, among other things, "... by continuing the industrial policy aimed at ensuring the stability of the national economy and increasing the share of industry in the gross domestic product, it is aimed to increase the production volume of industrial products by 1.4 times, in this case, increasing the production volume of textile industry products by 2 times..»1 important tasks are defined. In the implementation of these tasks, it is important to create effective technology of ginning machines with high ginning productivity in the cotton ginning industry [1-3].



### **Information on dv-1m roller device equipment**

Since 1979, DV-1M shaft demons have been produced in large numbers. DV-1M roller gin, feeder-splitter, two fiber separation carriages, depilated seed separation unit after the upper carriage, automatic compression mechanism of the working roller reinforced fixed knife and regeneration of the non-defibrated seed in the working zone has a technological system that provides an increase. The gin feeder consists of two sides, two receiving toothed rollers, colossal bars, a toothed drum, mesh surface, compactors, slats and cover. The rotation of the gear supply rollers is carried out by a constant current motor through a belt and a worm gear. The feeder is equipped with a permanent magnet to hold metal objects. The mechanism of pressing the working drum to the blade includes two pulleys mounted on the guides, a screw mechanism, an intermediate shaft, and a two-piece chain. The fixed blades of both carriages are made of 8 mm elastic steel and are 115 mm high. The permissible height of the blade after use and repair should be 55 mm. The working and percussion drums are unified with a DV-1M roller drum. The initial diameter of the impact drum is 150 mm according to the manufacturer, after repair it should not be less than 145 mm. Working drums RKM2 or RKM4 frame material is assembled from separate disks, the initial diameter is 190 mm. The working material is pressed in presses with a capacity of 15-40 tons. Standard pressing power of leather substitutes is 6-7 t. After machining with a lathe, dead grooves with a pitch of 45 mm and a depth of 6-7 mm are opened in the drums at an angle of 30 relative to the axis of the shaft. As a result of use, the diameter of the drum can be reduced to 110 mm. Fiber separator electric equipment control cabinet and equipment installed in the machine itself: two control panels four AC motors to move the working bodies, one DC motor to move the supply rollers, cotton level control in the mine consists of a device [4-7].

### **Improved part**

Based on this, the equation of the movement of the seeds under the tooth of the sawed drum depending on the rotation frequency and linear speed of the sawed drum was derived.

Seedlings with immature hairiness, when the angle of inclination of the tooth of the saw drum is  $A_2 = 150$ , the distance of movement along the surface is 13-14 mm, the distance between the saw drum and the colos is 12-13 mm, the rotation of



the saw drum is and setting the speed to  $V = 2.4$  m/s reduces the damage of seeds and reduces the possibility of falling seeds with fully germinated seeds. This, in turn, leads to higher regeneration efficiency.

The newly designed DV-1M roller gin has been replaced with improved working parts for the regeneration unit of cotton raw material and under-ginned, hairy seeds and fully de-haired seeds.

The efficiency of the regeneration process should not be less than 90% in order for the amount of fiber in the seed to be within the norm in the regeneration equipment installed after the roller gin.

In order to regenerate the cotton pieces and under-ginned, hairy seeds, to improve the regeneration unit of the existing roller gin and to reduce the amount of excess expenses for its production, the Department of "Technological Machines and Equipment" of the Tashkent Institute of Textile and Light Industry experimental device of the improved regeneration device of roller gin was developed in his laboratory.

In order to improve the regeneration unit of the existing roller gin for the purpose of regeneration of seeds with cotton pieces and prematurely ginned hairiness and to reduce the amount of excess expenses for its production, a roller gin was installed in the laboratory of the "Technological machines and equipment" department of the Tashkent Institute of Textile and Light Industry. a pilot device of an improved regeneration device was developed.

Since the seed regeneration device with cotton flakes and under-ginned fluffiness is included in the roller gin complex, the productivity of the high-efficiency gin (the productivity of the 2-battery roller gin for cotton is 5000 kg/h) of the regeneration device is less than 4500 kg/h should not. As raw materials of the device for regeneration of cotton flakes and seeds with under-ginned hairiness, cotton pieces, semi-ginned pieces, and seeds with under-ginned hairiness from the roller ginning equipment were used.

In the sawing drum used in the equipment, the saws produced in the sawing machine are processed, the diameter is 250 mm, and the teeth come out by themselves, as in the sawing machine, i.e., from the discs with teeth opened to  $a=450$  and between the saws in the sawing machine. A 50-grain saw drum is assembled to a length that matches the working area of the roller gin using a gasket. The saw drum

is assembled from a specially selected saw set, its diameter is 250 mm, and the diameter of the plank drum is 250 mm.

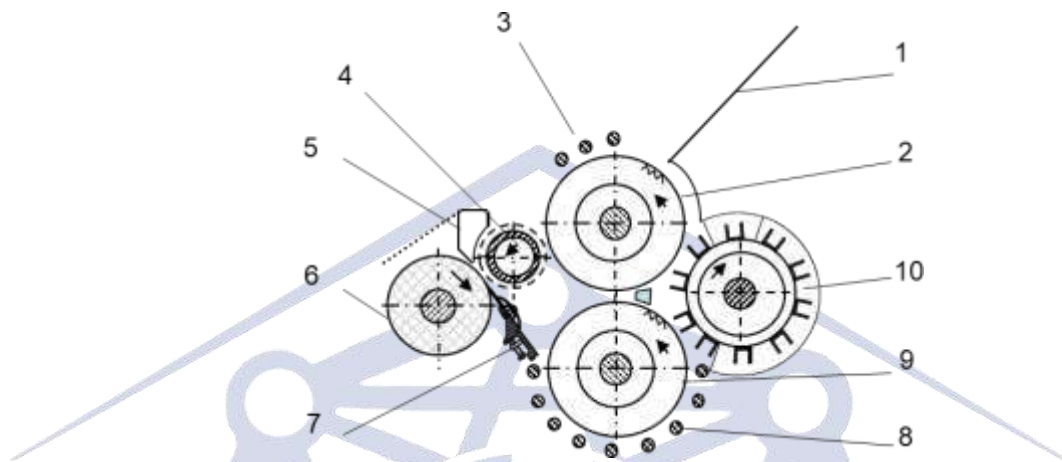


Figure 1. Improved regeneration unit of the roller gin  
1-slanted tray; 2- guide saw drum; 3- fence with columns; 4th impact roller;  
5th card; 6th working roller; 7-fixed blade;  
8-column grid; 9- regenerating saw drum; 10-ply drum.

The trajectory of the seeds coming out of the working part of the roller gin and the location of the saw drum should be selected in such a way that the condition of the fibers sticking to the saw teeth should be met during the contact of the falling seeds with the saw teeth. Figure 1 shows the forces acting on seeds moving along the inclined surface of a fixed blade in two-dimensional space  $X, O, U$  with an initial velocity  $V_0$ .

Considering each seed as a material point, the gravity force  $\sigma$ , normal reaction force  $N$  and sliding friction forces acting on them

We consider  $F$  (hairy seeds do not roll on an inclined surface, but instead slide).

### **Economic department**

The adequacy of the equations obtained through mathematical calculations showed the compatibility of the model and experimental results.

In order to study these relationships, numerical calculation of the curves was carried out according to the regression equation for different values of the main factors.

The analysis of the regression equation showed that the regeneration efficiency





decreases from 91.93% to 88.87% with the minimum values of the main factors  $X_2 = 10$  mm,  $X_3 = 1.5$  m/s as the distance between the columns increases from 10 to 14. The average values of the main factors vary from 90.64% to 85.68% and from 89.20% to 81.14%, respectively. A decrease in the maximum values of the main factors from 87.65% to 78.20% was found.

The dependence of the regeneration efficiency of the improved regenerator on the distance between the saw drum and the colosniks is presented. With an increase in the distance between the saw drum and the columns from 10 to 16, the main factors  $X_1 = 10$  mm,  $X_3 = 1.5$  m/s. with minimum values, the regeneration efficiency decreases from 90.93% to 86.93%. The average values of the main factors vary from 91.93% to 87.40% and from 90.10% to 82.55%, respectively. A decrease in the maximum values of the main factors from 88.25% to 77.56% was found.

The regeneration efficiency of the improved regenerator depends on the rotation speed of the saw drum. The regeneration efficiency increases from 91.78% to 92.35% with the minimum values of the main factors  $X_1 = 10$  mm,  $X_2 = 10$  mm with an increase in the speed of rotation of the saw drum from 1.5 to 3.5. The average values of the main factors vary from 90.46% to 90.36% and from 86.65% to 84.68%, respectively. A decrease in the maximum values of the main factors from 80.25% to 75.28% was found.

### Conclusion

Judging from the analysis of the literature, the role of roller gin is very important in cotton ginning factories and light industrial enterprises. The regeneration of the DV-1M roller gin, which is considered the main working part, was improved, as a result of which it was determined that the work productivity in the ginning of seed cotton would increase and it would bring benefits from the economic point of view.

### References

1. Salimov, M. Akhmatov "Preliminary processing of cotton". Study guide. Tashkent "Knowledge" 2005
2. Babadjanov MA "Technological process design" textbook, Tashkent, Cholpon-2009.
3. J. Jabborov "Technology of seed cotton processing". "Teacher" Tashkent-1987.

4. Turdiyev, H. E., & Ogli, Y. A. K. (2023). Improving the performance of dust collectors vvp-1200 and adding new innovative technologies. *Journal of Science-Innovative Research in Uzbekistan*, 1(9), 154-160.
5. Muratovna, D. Z., & Madaminovich, P. K. (2023). Precision engineering of " iik-d1" series corrosion inhibitors: production insights. *European Journal of Emerging Technology and Discoveries*, 1(9), 57-62.
6. Zikirov, M. C., Qosimova, S. F., & Qosimov, L. M. (2021). Direction of modern design activities. *Asian Journal of Multidimensional Research (AJMR)*, 10(2), 11-18.
7. Z.M., P. D. (2023). Corrosion Inhibitors Based on Imidozoline. *Texas Journal of Engineering and Technology*, 22, 17-22.



---

Research Science and  
Innovation House



## IMPROVEMENT OF PADDLES IN ORDER TO INCREASE THE LEVEL OF COTTON DRYING IN THE 2SB-10 DRUM DRYER

**X. Oltmishboyev**

44-20 YSTJ guruh talabasi, Farg‘ona politexnika institute, Farg‘ona,  
O‘zbekiston

**M. Valijonov**

44-20 YSTJ guruh talabasi, Farg‘ona politexnika institute, Farg‘ona,  
O‘zbekiston

**A. Sharifjonov**

44-20 YSTJ guruh talabasi, Farg‘ona politexnika institute, Farg‘ona,  
O‘zbekiston

### **Abstract**

The 2SB-10 type of drying drum used in cotton ginning enterprises reduces its air consumption by installing paddles at an angle of 80 degrees in the middle.

**Keywords:** 2SB-10 drying drum, blades, air consumption, 80 degrees,

### **Introduction**

According to the coordinated technological process during the processing of cotton raw materials, the drying operation is carried out in the drying-cleaning departments of cotton processing facilities, and in the cleaning departments of cotton ginning enterprises. These departments are equipped with a complex of technological machines, including drying drums.

### **The main part**

In recent years, 2SB-10, SBO straight-flow drum dryers (in which the cotton raw material and the drying agent move in the same direction) have been widely used in the cotton ginning industry for drying cotton raw materials.

The 2SB-10 drum dryer is a drying drum made of metal sheet with a diameter of 3200 mm and a length of 10000 mm. Its base is made of 2 mm steel sheet and is attached to a special frame. Inside the drum, 12 shovels are placed along its length, which serve to lift and distribute cotton raw materials according to the size of the

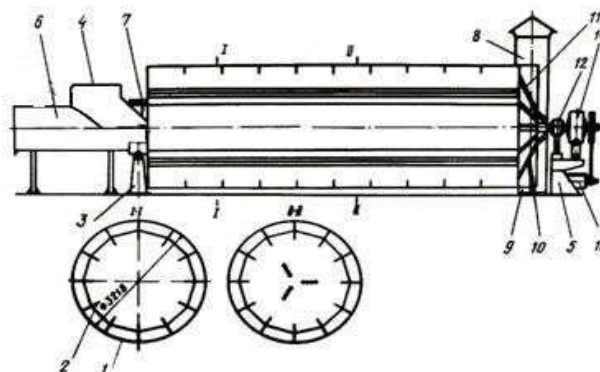
drum. In order to create the best hydrodynamic conditions for convective heat exchange and to give rigidity to the structure, 250 mm high cross blades are installed per meter. The drum has 3 rows of tubular bars that suspend the raw cotton material along the drying chamber 6000 mm long. Its function is to increase the time of cotton raw material in the drop zone, where the drying agent actively affects the material. Cotton raw material is transferred to the drum by means of a screw conveyor with a diameter of 300 mm and an inclination of 30° from the horizon. This supply device is transmitted to the drum through a shaft with a diameter of 1190 mm and fixed to the front part of the drum. The rotation frequency of the drum is 10 min<sup>-1</sup>, filling with raw cotton is 30% of the volume of the drum, i.e. 1200 - 1500 kg of raw cotton.

The drying agent (2) is also transferred to the drum from the place where the wet cotton raw material is transferred to the drum through the supply auger (1). The cotton raw material is lifted up with the help of paddles (5) and the drying agent passes between them during its descent. In this case, the drying agent gives heat to the wet material, absorbs the moisture and is discharged to the atmosphere through the exhaust pipe. And after several times of rising and falling, the cotton raw material is dried to a certain extent and leaves the drum (4). In this case, cotton raw material is removed using shovels installed at the end of the drum.

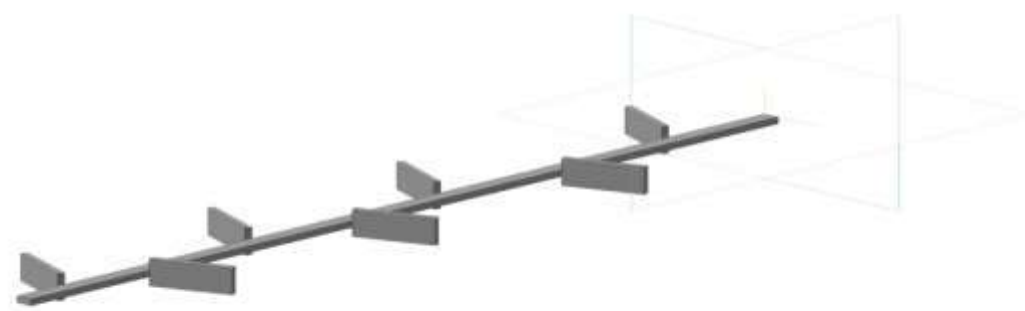
As the drying agent partially sucks the surrounding air while passing through the needle (3), it prevents the cotton being fed into the drum with the auger (1) from spilling, and the cotton is pushed forward in the air stream. The drum shaft is driven by an electric motor and a reducer (9). The temperature of the drying agent supplied to the dryer can be increased up to 280°C. When wet cotton is dried in the dryer, the temperature of the drying agent in the first four meters of the drum decreases from 280°C to 125°C, and in this part, the cotton raw material is mainly heated, and the heating surface is large (250 m<sup>2</sup>/kg) and the moisture in the fiber can be evaporated. In the next part of the drum, the temperature of the drying agent decreases to 70.80 °C, and the evaporation surface of the seed is much less (1.0 m<sup>2</sup>/kg), which slows down the release of moisture from the cotton raw material.

Research Science and  
Innovation House





**Fig. 1. Technological scheme of the 2SB-10 drying drum**



**Fig. 2. Improved part**

### Conclusion

Through our proposal, which is introduced into the drying drum used in cotton ginning enterprises, we can achieve better drying of seeded cotton, reduce air consumption and reduce the moisture content of seeded cotton. This can also make the rest of the equipment work better and improve cleaning efficiency.

### References

1. E. Zikriyoyev "Preliminary processing of cotton", Tashkent-2002.
2. M. Omonov "Cotton preliminary processing spravochnik" Tashkent-2008.
3. Decree of the President of the Republic of Uzbekistan dated 10.01.2023 No. PF-2
4. Babadjanov M.A. "Technological process design" textbook, Tashkent, Cholpon-2009.
5. G. J. Jabborov "Technology of seed cotton processing". "Teacher" Tashkent-1987.



## MUSTAQIL TA'LIM TALABALARGA CHET TILINI O'RGATISHNI TAKOMILLASHTIRISHNI SHARTI SIFATIDA

Shomuradova Dilbar Abdishukurovna

O'zDSMI katta o'qituvchisi

### Annotatsiya

Ushbu maqolada nofilologik ta'lim yo'nalishlari talabalarining chet tili bo'yicha mustaqil ishlarini tashkil etish xususiyatlari ko'rib chiqiladi. Chet tilining kommunikativ kompetentsiyasini o'zlashtirish jarayonida o'z o'stida mustaqil ishlash samaradorligini oshirish uchun zarur bo'lgan pedagogik shartlar tavsiflangan. Shuningdek, chet tili dissiplinasida bo'yicha mustaqil ta'limni tashkil etishda o'qituvchining o'rnini tahlil qilinadi va talabalarning kasbiy tayyorgarligini hisobga olgan holda mustaqil ta'lim uchun vazifalar belgilanadi.

**Kalit so'zlar:** metod, mustaqil ta'lim, talaba, chet tili, motivatsiya, daraja, muammo, nofilologik ta'lim yo'nalishi.

### Annotation

This article discusses the features of organizing independent work of students of non-philological specialties in a foreign language discipline. The pedagogical conditions necessary to increase the efficiency of independent work in the process of mastering the communicative competence of a foreign language are described. The role of the teacher in organizing independent learning in the discipline of a foreign language is also analyzed and the tasks of independent learning are determined taking into account the professional training of students.

**Key words:** method, independent learning, student, foreign language, motivation, level, problem, direction of non-philological education.

Bugungi kunda oliy ta'lim tizimida chet tili fanini o'qitish tizimi bir qator o'zgarishlarga uchradi. Xususan, bunda mustaqil ta'limning ulushi sezilarli tarzda oshdi. Bu yondashuv talabalarda o'z ustida ishlash, uzluksiz ta'lim olish va izlanish qobiliyatini rivojlantirish zarurati tufayli yuzaga keldi.

Zamonaviy jamiyat va bozor iqtisodiyoti mutaxassisga yangidan-yangi talablarni qo'yimoqda. Bugun u nafaqat ma'lum bir sohadagi bilim, ko'nikma va malakalar majmui bilan xarakterlanadigan mutaxassis bo'lishi kerak, balki tanqidiy fikrlovchi, paydo bo'lgan muammolarni mustaqil va ijodiy hal qila olish qobiliyatiga



ega bo‘lishi kerak. Biroq, bunga faqat tayyor shakldagi bilimlarni talabaga berish orqali erishib bo‘lmaydi. Talabani bilim olish jarayoniga jalb qilish zarur. Bu borada mustaqil ta‘lim ta‘lim jarayonining muhim ahamiyatga ega tarkibiy qismi bo‘lib xizmat qiladi.

“Talabalarning mustaqil ta‘limi - o‘qituvchining rahbarligi va nazorati ostida amalga oshadigan, o‘quv jarayonining bir qismi sifatida bajariladigan ish. Mustaqil ta‘lim o‘z ustida ishlash va o‘z-o‘zini tarbiyalash tushunchasi bilan uzviy bog‘liq bo‘lib, ta‘lim faoliyatining eng yuqori shaklidir.” [1]

Nofilologik ta‘lim yo‘nalishlarida talabalarning mustaqil ta‘limi eng ustuvor yo‘nalishlardan biri hisoblanadi. Buning sababi shundaki, chet tilini o‘rganishga ajratilgan auditoriya soatlari filologik ta‘lim yo‘nalishlariga qaraganda sezilarli darajada kam. “Nofilologik ta‘lim yo‘nalishlarida talabalarning mustaqil faoliyatini tashkil etish, birinchidan, chet tillarini o‘qitish sifatini oshirish, ikkinchidan, shaxsning kasbiy ahamiyatli fazilatlarini, ijodkorlik, mustaqillik va faollikni rivojlantirishga qaratilgan bo‘lishi kerak.” [2]

Talabalar uchun mustaqil ta‘limni tashkil etish oson jarayon emas, u ko‘plab tarkibiy qismlardan iborat. Birinchidan, mustaqil ta‘lim muvaffaqiyatining muhim omili uning uzluksizligi va murakkabligini bosqichma-bosqich oshirish bo‘lishi kerak. Chet tillarini o‘qitishda mustaqil ishning murakkabligining uchta darajasini shartli ravishda ajratib ko‘rsatish mumkin:

1) Reproduktiv daraja yoki tayyorgarlik darajasi - keyingi barcha darajalarda ishlash uchun asos yaratadigan asosiy daraja, ya‘ni yangi material bilan tanishish, o‘zlashtirish va mashq qilish. Natijada barqaror leksik va grammatik baza shakllanadi va harakatlar algoritmi tuziladi.

2) Rekonstruktiv daraja (yarim ijodiy) - olingan bilim va ko‘nikmalarni talabalar allaqachon duch kelgan, shunga o‘xshash vaziyatlarga ko‘chirishni o‘z ichiga oladi. (Masalan, talabalar o‘sha vaziyatda qo‘llagan muloqot harakatlari, ya‘ni ma‘lum leksik va grammatik material ustida, nutq xatti-harakatlarining ma‘lum modellari bilan ishlash).

3) Ijodiy daraja - talabalarning ijodiy qobiliyatlari va mustaqilligini shakllantirish va rivojlantirish darajasi. Talabalar mustaqil ta‘limi, ular o‘z fikrlarini ifodalash uchun o‘quv materiallaridan foydalanishlari, shuningdek, ularga qo‘yilgan muammolarni hal qilishda nostandart yondashuvlarni qo‘llashlari kerak bo‘lgan

shaklda tashkil qilinadi. Talabaning mustaqil ta'limi o'qish jarayonida uning samaradorligiga hissa qo'shadigan muayyan shartlarni talab qiladi. Masalan:

- talabalarning motivatsiyasini oshirish (talabning fanga bo'lgan qiziqishini rivojlantirish va uning diqqatini o'z faoliyati natijalariga qaratish orqali amalga oshiriladi);

- talabalarning mustaqil ta'limning mohiyatini anglashi (bunda maqsad va aniq vazifa mavjudligi ta'minlanishi; mustaqil ta'lim natijasini ifodalash shaklini aniq belgilash; uning natijasini tekshirish shaklini aniqlash; mustaqil ishni bajarish majburiyati muhim);

Chet tili fanlari doirasida mustaqil ta'limdan foydalanishning muvaffaqiyatli natijasi ko'p jihatdan mustaqil ta'limni tashkil etishning to'g'ri shakllarini tanlashga bog'liq. Mustaqil ta'limga faqatgina auditoriyadan tashqari ish, deb ta'rif berish xatodir. Chet tili fanining kontekstida mustaqil ta'lim quyidagi shakllarning jamlanmasini ifodalashi kerak: auditoriyadagi mustaqil ishlar, sinfdan tashqari mustaqil ishlar va ijodiy mustaqil ishlar.

Mustaqil ta'limning katta qismini o'z ichiga olgan chet tilini o'qitishda ommabop usullar shaxsga yo'naltirilgan texnikalardir. Ularning maqsadi chet tilini o'rganish bilan birga, turli xil hayotiy, kundalik va kasbiy vaziyatlarda to'g'ri nutq xatti-harakati ko'nikmalarini shakllantirishdir.

Bu usullarga quyidagilar kiradi:

- o'yin texnikasi - rolli vaziyatlar va o'yinlarni tashkil qilish;

- muammoli vaziyatlarni modellashtirish metodikasi - shu jumladan, talabalarning kasbiy faoliyatiga oid muammoni o'z ichiga olgan va uni chet tilidan foydalanish orqali hal qilishni talab qiladigan nutqiy vaziyatlarni yaratish. Bu metodikaning maqsadi - chet tilini o'zlashtirish va undan foydalanish.

- loyiha faoliyati metodi yoki loyiha usuli - bilimlarni egallash uchun amaliy muammolarni hal qilishga qaratilgan talabalarning mustaqil ishi. Bu jarayon kerakli ma'lumotlarni topish va u bilan ishlashni o'z ichiga oladi. Har bir loyiha faoliyatning vizual yakuniy mahsulotiga ega - taqdimot, hisobot, maqola, insho va boshqalar, bu talaba uchun kundalik, ijtimoiy yoki kasbiy sohada haqiqiy amaliy ahamiyatga ega. Mavzuni tanlash talabalarga qaratilgan bo'lishi va ularning qiziqishini uyg'otishi kerak. Loyiha usulining ahamiyati tilni real sharoitlarga imkon qadar yaqin sharoitlarda ishlatish imkoniyatidadir;



Mustaqil ta'limdan foydalanish samaradorligi ko'p jihatdan nazoratga bog'liq bo'lib, u yakuniy bosqichda ham, oraliq bosqichda ham tizimli ravishda amalga oshirilishi kerak. Nazoratning ahamiyati katta - birinchidan, nazorat mustaqil ishlarni amalga oshirishda talabalarning bilim va ko'nikmalarni o'zlashtirish sifatini nazorat qilish imkonini beradi, ikkinchidan, bu talabalar tomonidan yuzaga kelishi mumkin bo'lgan xatolarni o'z vaqtida oldindan ko'rishga yordam beradi. Nazoratning ko'plab shakllari mavjud bo'lib, qaysi birini tanlashni o'qituvchining o'zi hal qiladi.

Mustaqil ta'lim uchun taklif etilayotgan topshiriqlar samaradorligining yana bir kafolati, bir tomondan, ularning talabalar bilim va ko'nikmalariga muvofiqligi, ikkinchi tomondan, yangilik va muammoli holatlarga egaligidir.

Nolfilologik ta'lim yo'nalishlarida chet tilini o'qitishda amaliyotda egallangan mustaqil ta'lim ko'nikmalari chet tilini o'qitish samaradorligini oshirishga imkon beradi. Shuningdek, asosiy kasbiy ko'nikmalarni, shuningdek, o'z ustida ishlash va o'z-o'zini rivojlantirishga qodir bo'lgan, faol mutaxassisni shakllantirishga yordam beradigan qo'shimcha ko'nikmalarni shakllantirishga hissa qo'shadi.

#### **Foydalanilgan adabiyotlar:**

1. Пичкова, Л.С. Организация самостоятельной работы студентов как фактор формирования профессионально значимых компетенций // Пути повышения конкурентоспособности экономики России в условиях глобализации. Материалы конференции. МГИМО (У) МИД РФ. — М.: МГИМО-Университет, 2008.

2. Алтайцев, А. М., Наумов В.В. Учебно-методический комплекс как модель организации учебных материалов и средств дистанционного обучения. В кн.: Университетское образование: от эффективного преподавания к эффективному учению (Минск, 1–3 марта 2001 г.) // Белорусский государственный университет. Центр проблем развития образования. — Мн.: ПроPILEI, 2002. — с. 229–241.

3. Кудряшова, А.В., Горбатова Т.Н. Эффективность развития творческой самостоятельности студентов неязыковых вузов в процессе обучения иностранному языку // Молодой ученый. — 2014. — № 21. — с. 641–643.

## O‘ZBEKISTONDA INFLYATSIYA MUAMMOSI VA UNGA QARSHI KURASH

Musurmankulova Gulchehra Isabekovna

Toshkent amaliy fanlar universiteti, Tarmoqlar iqtisodiyoti kafedrası  
katta o‘qituvchisi

E-mail: [musurmonkulovagulchehra495@gmail.com](mailto:musurmonkulovagulchehra495@gmail.com)

### Аннотация:

Инфляция в Узбекистане является серьезной экономической проблемой, с которой сталкивается Узбекистан, влияя на различные аспекты экономики и общества страны. В данной статье исследуются причины и последствия инфляции в Узбекистане, анализируются стратегии правительства по борьбе с ней и оценивается их эффективность. В нем также обсуждается роль международных организаций и партнерств в поддержке антиинфляционных усилий Узбекистана. Благодаря всестороннему обзору существующей литературы и статистических данных, эта статья дает представление о текущем состоянии инфляции в Узбекистане и предлагает рекомендации по будущим направлениям политики.

**Калит so‘zlar:** Инфляция, Узбекистан, Иqtisodiyot, Markaziy Osiyo, Pul-kredit siyosati.

### Абстрактный:

Инфляция является серьезной экономической проблемой, с которой сталкивается Узбекистан, влияя на различные аспекты экономики и общества страны. В данной статье исследуются причины и последствия инфляции в Узбекистане, анализируются стратегии правительства по борьбе с ней и оценивается их эффективность. В нем также обсуждается роль международных организаций и партнерств в поддержке антиинфляционных усилий Узбекистана. Благодаря всестороннему обзору существующей литературы и статистических данных, эта статья дает представление о текущем состоянии инфляции в Узбекистане и предлагает рекомендации по будущим направлениям политики.

**Ключевые слова:** Инфляция, Узбекистан, Экономика, Центральная Азия, Денежно-кредитная политика.



### Abstract:

Inflation is a significant economic challenge facing Uzbekistan, impacting various aspects of the country's economy and society. This article explores the causes and effects of inflation in Uzbekistan, analyzes the government's strategies to combat it, and evaluates their effectiveness. It also discusses the role of international organizations and partnerships in supporting Uzbekistan's anti-inflation efforts. Through a comprehensive review of existing literature and statistical data, this article provides insights into the current state of inflation in Uzbekistan and offers recommendations for future policy directions.

**Keywords:** Inflation, Uzbekistan, Economy, Central Asia, Monetary Policy.

### KIRISH

Inflyatsiya doimiy iqtisodiy muammo bo'lib, butun dunyo mamlakatlariga, jumladan, O'zbekistonga ham ta'sir qiladi. Tovarlar va xizmatlar narxlarining umumiy darajasining o'sish sur'ati sifatida belgilangan inflyatsiya mamlakat valyutasining xarid qobiliyatini pasaytiradi, bu esa fuqarolarning turmush darajasining pasayishiga olib keladi. So'nggi yillarda O'zbekistonda inflyatsiya darajasi o'zgarib turdi, bu esa uning iqtisodiy barqarorligi va rivojlanishi uchun qiyinchiliklar tug'dirmoqda. Inflyatsiya - bu iqtisodiyotda ma'lum vaqt oraliq'ida tovarlar va xizmatlar umumiy narxleri darajasining barqaror o'sishi. Bu iste'molchilarning xarid qobiliyatini pasaytiradi, pul qiymatini pasaytiradi va iqtisodiy beqarorlikka olib kelishi mumkin. O'zbekiston, boshqa ko'plab davlatlar singari, so'nggi yillarda inflyatsiya bosimini boshdan kechirdi, bu esa o'z iqtisodiy rivojlanishi va fuqarolari farovonligi uchun qiyinchiliklar tug'dirmoqda. Ushbu maqolada O'zbekistondagi inflyatsiyaning sabablari va oqibatlari o'rganilib, unga qarshi kurash bo'yicha hukumatning sa'y-harakatlari samaradorligi baholanadi.

**O'zbekistonda inflyatsiyaning sabablari** O'zbekistonda inflyatsiyaga bir qancha omillar ta'sir ko'rsatadi, jumladan:

1. Monetar kengayish: ko'pincha davlat xarajatlari yoki kredit kengayishi bilan bog'liq bo'lgan pul massasining tez o'sishi yalpi talabning o'sishiga olib kelishi mumkin, bu esa narxlarga yuqori bosimni keltirib chiqarishi mumkin.

2. Ta'minot zanjiridagi uzilishlar: Ta'minot zanjiridagi uzilishlar, masalan, transportda to'siqlar yoki savdo cheklovlari, tovarlar va xizmatlarning mavjudligini kamaytirishi mumkin, bu esa narxlarning oshishiga olib keladi.



3. Valyuta kursining o'zgarishi: Valyuta kursining o'zgarishi import qilinadigan tovarlar va xom ashyo narxlariga ta'sir qilishi mumkin, bu esa o'z navbatida ichki narxlar darajasiga ta'sir qilishi mumkin.

4. Strukturaviy muammolar: Iqtisodiyotdagi tuzilmaviy samarasizlik, masalan, raqobatning yo'qligi yoki ortiqcha tartibga solish resurslarni samarali taqsimlashga to'sqinlik qilishi va inflyatsion bosimni keltirib chiqarishi mumkin.

**Inflyatsiyaning oqibatlari:** Inflyatsiya iqtisodiyot uchun bir qancha salbiy oqibatlarga olib kelishi mumkin, jumladan:

1. Xarid qilish qobiliyatining pasayishi: inflyatsiya iste'molchilarning xarid qobiliyatini pasaytiradi, ularning real daromadlari va turmush darajasini pasaytiradi.

2. Noaniqlik va beqarorlik: Yuqori va oldindan aytib bo'lmaydigan inflyatsiya sur'atlari iqtisodiyotda noaniqlikni keltirib chiqarishi, sarmoya va iqtisodiy o'sishni susaytirishi mumkin.

3. Buzilgan narx signallari: inflyatsiya narx signallarini buzishi mumkin, bu esa resurslarning noto'g'ri taqsimlanishiga va iqtisodiyotdagi samarasizlikka olib keladi.

4. Ijtimoiy ta'sirlar: Inflyatsiya, shuningdek, tengsizlik va qashshoqlikning kuchayishi kabi ijtimoiy ta'sirlarga ham ega bo'lishi mumkin, chunki kambag'al va doimiy daromadga ega bo'lganlar narxlarning ko'tarilishidan nomutanosib ravishda ta'sirlanadi.

**Hukumat siyosatining ta'siri:** O'zbekiston hukumati inflyatsiyaga qarshi kurashish va narxlarni barqarorlashtirish bo'yicha bir qator chora-tadbirlarni amalga oshirdi, jumladan:

1. Pul-kredit siyosati: O'zbekiston Markaziy banki pul massasining o'sishini kamaytirish va inflyatsiya bosimini nazorat qilish maqsadida pul-kredit siyosatining keskinlashtiruvchi pozitsiyasini qo'lladi.

2. Fiskal siyosat: Hukumat byudjet taqchilligini kamaytirish va inflyatsiyaga davlat xarajatlarning kengaytiruvchi ta'sirini cheklashga qaratilgan fiskal konsolidatsiya choralarini ko'rdi.

3. Ta'minot siyosati: Hukumat, shuningdek, infratuzilmani yaxshilash va tartibga solish yuklarini kamaytirish kabi iqtisodiyotdagi tarkibiy muammolarni hal qilish uchun ta'minot siyosatini amalga oshirdi.

4. Valyuta kursini boshqarish: Hukumat valyuta zaxiralarini yaratish kabi tashqi ta'sirlarning ichki narxlarga ta'sirini yumshatish uchun valyuta kursini boshqardi.



O‘zbekistonda inflyatsiyaga bir qancha omillar ta’sir ko‘rsatadi. Asosiy omillardan biri bu pul massasining haddan tashqari o‘shishi bo‘lib, ko‘pincha hukumatning markaziy bank orqali byudjet taqchilligini moliyalashtirishi natijasida yuzaga keladi. Bu esa, o‘z navbatida, yalpi talabning o‘shishiga, iqtisodiyotning tovar va xizmatlarni yetkazib berish imkoniyatlaridan oshib ketishiga va pirovard natijada narxlarning oshishiga olib keladi.

Asosiy tarmoqlarda cheklangan raqobat va ta’minot zanjirining uzilishi kabi tuzilmaviy muammolar ham O‘zbekistonda inflyatsiya bosimiga sabab bo‘lmoqda. Bundan tashqari, tashqi omillar, masalan, tovarlar narxining global o‘zgarishi va valyuta kursining o‘zgarishi mamlakatdagi inflyatsiya tendentsiyalarini yanada kuchaytirishi mumkin.

Inflyatsiya muammosini hal qilish uchun O‘zbekiston hukumati turli pul-kredit va soliq-byudjet siyosatini amalga oshirdi. Foiz stavkalari va majburiy rezervlarni oshirish orqali pul-kredit siyosatini kuchaytirish, shuningdek, byudjet taqchilligini kamaytirish va davlat xarajatlarini nazorat qilish uchun fiskal chora-tadbirlarni qabul qilish shular jumlasidandir. Hukumat, shuningdek, uzoq muddatli istiqbolda inflyatsiya bosimini pasaytirish maqsadida raqobatni kuchaytirish va iqtisodiyot samaradorligini oshirish uchun tarkibiy islohotlarni amalga oshirdi.

O‘zbekiston ichki chora-tadbirlardan tashqari inflyatsiyaga qarshi kurashish uchun xalqaro yordam so‘radi. Mamlakat texnik ekspertiza va moliyaviy yordam olish uchun Xalqaro valyuta jamg‘armasi (XVJ) va Jahon banki kabi xalqaro moliya institutlari bilan hamkorlik qildi. Bu hamkorliklar O‘zbekistonga oqilona makroiqtisodiy siyosatni amalga oshirish va inflyatsiyani samarali bartaraf etish bo‘yicha institutsional salohiyatini mustahkamlashga yordam berdi.

#### Xulosa

Xulosa qilib aytadigan bo‘lsak, inflyatsiya O‘zbekiston uchun muhim iqtisodiy muammo bo‘lib qolmoqda, biroq hukumat tomonidan olib borilayotgan siyosat choralari unga qarshi kurashda umidvorligini ko‘rsatdi. Inflyatsiyani nazorat qilish va barqaror iqtisodiy o‘shishni rag‘batlantirish bo‘yicha sa’y-harakatlarni davom ettirish mamlakatning kelajakdagi farovonligi uchun hal qiluvchi ahamiyatga ega bo‘ladi. Ushbu sa’y-harakatlarga qaramay, inflyatsiya O‘zbekiston uchun doimiy muammo bo‘lib qolmoqda. Doimiy hushyorlik va siyosatni muvofiqlashtirish inflyatsiya bosimini ushlab turish, barqaror iqtisodiy o‘shishni qo‘llab-quvvatlash va



mamlakatimizning barcha fuqarolari turmush darajasini oshirish uchun muhim ahamiyatga ega.

### Adabiyotlar ro‘yxati:

1. Alimxonova N. “Inflyatsiyani barqarorlashtirishning samarali usullarini qo‘llash: inflyatsiyani jilovlashda pul-kredit siyosatining o‘rni va ahamiyati”. Muhandislik tadqiqotlari va texnologiyasida innovatsiyalar xalqaro jurnali 7.4: 1-4.
2. To‘xtayeva Ra‘no. “Ikkinchi jahon urushi yillarida O‘zbekistonda moliyaviy muammolar va uning natijalari”. ANGLISTICUM. Assotsiatsiya-Ingliz tili va Amerika tadqiqotlari instituti jurnali 7.3 (2018): 124-130.
3. Xamraev A. (2019). O‘zbekistonda pul-kredit siyosati va inflyatsiya dinamikasi. Osiyo Taraqqiyot Banki Instituti Ishchi Paper Series.
4. Saidazimova O. (2020). O‘zbekistonda tarkibiy o‘zgarishlar va iqtisodiy rivojlanish: 1991-2018 yillar. Myunxen shaxsiy RePEc arxivi ishchi hujjati.
5. Jahon banki. (2020). O‘zbekistonning iqtisodiy yangilanishi: global noaniqlik sharoitida makroiqtisodiy barqarorlikni ta‘minlash.
6. Xalqaro valyuta fondi. (2021). O‘zbekiston: 2021 yil IV modda bo‘yicha Maslahatlashuv—Press-reliz; Xodimlar hisoboti; va O‘zbekiston bo‘yicha Ijrochi direktorning bayonoti.
7. O‘zbekiston Respublikasi Markaziy banki. (2022). O‘zbekiston Respublikasi iqtisodiyotining holati to‘g‘risida yillik hisobot.

---

# Research Science and Innovation House



## VALYUTA VA BOZOR: XALQARO MOLIVAVIY TIZIMNING YADRO ASOSLARI

Farg‘ona Politexnika Instituti 89-23 MMT talabasi

**Umarov Dilmurodjon Ilhomjon o‘g‘li**

Axunova Shohista Nomanjanovna FarPI dotsenti

**Annotatsiya:** bu ishning maqsadi xalqaro moliyaviy tizimning yadro asoslari va mamlakatlarning iqtisodiyoti uchun kiritik ahamiyati, valyuta siyosati, mamlakatlar munosabatlarini o‘rganib chiqishdan iboratdir.

**Kalit so‘zlar:** valyuta, valyuta kurslari, siyosat, xalqaro savdo, moliya, xalqaro moliyaviy tizim, mablag‘, valyuta bozori, daromad.

### **Kirish**

Xalqaro moliyaviy tizimning yadro asoslari ya‘ni valyuta va bozorlar dunyoning iqtisodiy rivojlanishida muhim o‘rin egallaydi. Xalqaro moliya tizim valyuta va bozorlar o‘rtasidagi dinamik o‘zaro ta‘sirlarning asosi bo‘lib xizmat qiladi. Valyuta ayirboshlash va qiymatni saqlash vositasi sifatida xalqaro operatsiyalarni amalga oshirish uchun asos bo‘lib xizmat qiladi, moliya bozorlari esa savdo, narx belgilash va resurslarni taqsimlash uchun infratuzilmani ta‘minlaydi.

Valyuta xalqaro savdo va savdoning asosiy omili bo‘lib, chegaralar orqali umumiy ayirboshlash vositasini ta‘minlaydi. Umumiy qabul qilingan valyutada operatsiyalarni amalga oshirish qobiliyati savdo jarayonlarini soddalashtiradi, mamlakatlar o‘rtasida tovarlar va xizmatlar harakatini osonlashtiradi. AQSH dollari, yevro va yapon iyenasi kabi asosiy xalqaro valyutalarning jahon savdosida ustunlik qilishlari ularning xalqaro moliya tizimidagi asosiy vazifasini ta‘kidlaydi<sup>[1]</sup>. Bundan tashqari, turli valyutalar o‘rtasidagi almashuv kurslarining o‘rnatilishi eksport raqobatbardoshligiga, import xarajatlariga va savdo balansiga ta‘sir qiluvchi savdo shartlarini belgilaydi.

Avvalo valyuta kursiga nima ekanligini ko‘rib chiqsak, valyuta kursi bu bir mamlakat pul birligining boshqa mamlakat pul birligida ifodalangan narxi. Valyuta kursining qat‘iy qayd etilgan va o‘zgarib turadigan turlari mavjud. Valyuta kursi mamlakatlar valyutasining xarid qobiliyati, shuningdek xalqaro to‘lov vositalari bilan o‘zaro munosabat va boshqa omillar asosida belgilanadi. Ularning xarid qobiliyatining o‘zgarishi bilan valyuta kursi ham o‘zgarib turadi. Markaziy emissiya

banki belgilaydigan rasmiy Valyuta kursini hukumat belgilaydigan yoki valyuta bozorida vujudga keladigan erkin valyuta kursidan farqlamoq kerak<sup>[2]</sup>. Ana endi bozor tushunchasini o'rgananadigan bo'lsak, tabiiyki, bozorlar o'zaro almashtirish, sotish-olish yoki muvozanatli haridlar bo'ladigan muhitdir. mumiy ma'noda "bozor" deganda xaridorlar va sotuvchilar tovarlar, xizmatlar yoki aktivlarni almashish uchun o'zaro aloqada bo'lgan muhit yoki tizimni anglatadi. Ushbu o'zaro ta'sir mahsulotlarni sotib olish va sotishni o'z ichiga oladi, narxlar talab va taklif dinamikasi bilan belgilanadi. Endi valyuta va bozorlarning o'zaro bog'liqligiga kelsak, Valyuta va bozorlar o'rtasidagi munosabatlar bir-biriga bog'langan ta'sir bilan tavsiflanadi, bu erda bir domendagi harakatlar boshqasiga aks etadi. Valyuta kursining o'zgarishi moliyaviy aktivlarni baholashga, eksportning raqobatbardoshligiga va import narxiga bevosita ta'sir ko'rsatadi va shu bilan bozor ko'rsatkichlari va iqtisodiy natijalarni shakllantiradi. Bozor sharoitlari va o'zgarishlar, o'z navbatida, valyuta kurslari va investorlarning kayfiyatiga ta'sir qiladi va valyutalarning o'zgaruvchanligi va barqarorligiga yordam beradi. Bundan tashqari, jahon moliya bozorlarining o'zaro bog'liqligi valyutaning birlashtiruvchi omil sifatidagi rolini ta'kidlaydi, chunki jahon savdo va investitsiya oqimlari bir necha asosiy valyutalarda ifodalanadi, o'zaro bog'liqlik va o'zaro bog'liqlikni kuchaytiradi.

Valyuta va bozorlar xalqaro moliya tizimining asosiy poydevori bo'lib, global iqtisodiy o'zaro munosabatlarga va moliyaviy barqarorlikka chuqur ta'sir ko'rsatadi. Ularning o'zaro ta'siri xalqaro savdo, investitsiya va iqtisodiy siyosatning tuzilishiga kirib, butun dunyo bo'ylab davlatlar va bizneslarning boyligini shakllantiradi. Valyuta va bozorlarning dinamikasi va o'zaro bog'liqligini tushunish xalqaro moliya tizimining murakkabliklarini yo'lga qo'yish, shuningdek, samarali pul-kredit va soliq-byudjet siyosatini shakllantirish uchun juda muhimdir. Jahon iqtisodiyoti rivojlanishda davom etar ekan, valyuta va bozorlarning transchegaraviy operatsiyalarni va iqtisodiy o'zaro bog'liqlikni ta'minlashdagi doimiy ahamiyati saqlanib qolishi mumkin, bu ularning xalqaro moliyaviy landshaftdagi ajralmas rolini ta'kidlaydi.



### Foydalanilgan adabiyotlar:

- 1.O‘zbekiston milliy ensiklopediyasi (2000-2005) ma’lumotlaridan foydalanilgan.
- 2.O‘zME. Birinchi jild. Toshkent, 2000-yil.
- 3.<https://finlit.uz/uz/articles/money/currencies/>
- 4.<https://lex.uz/docs/-348539?ONDATE=08.08.2018%2000>



# Research Science and Innovation House



## ALEKSANDR ARKADEVICH FAYNBERG HAYOTI VA FAOLIYATI

**Rashidova Amina O'ktam qizi**

**O'zDJTU Sharq filologiyasi**

**2-kurs talabasi**

**tel: +998977510733**

**rashidovaamina0733@gmail.com**

**Ilmiy rahbar: Umurzakova A.U.**

**O'zDJTU Arab tili tarjima nazariyasi va amaliyoti kafedrası o'qituvchisi**

**Annotatsiya:** Ushbu maqolada O'zbekiston Respublikasi xalq shoiri Aleksandr Arkadevich Faynberg hayotiga oid ma'lumotlar, uning ijod yo'li, iste'dodli shoirning she'riy to'plamlari, o'lmas asarlari, zamondosh shoirlarning u haqida bildirgan fikrlari, tarjimonlik faoliyati bilan bir qatorda o'zbek kinematografiyasiga qo'shgan hissasi haqida gap boradi.

**Kalit so'zlar:** Aleksandr Faynberg, adabiyot, she'riy to'plam, jurnalistika, tarjima, baynalminal, ssenariy, kinematografiya, badiiy filmlar, multfilmlar, medal.

**Annotation:** This article gives information about the life of the National Poet of Uzbekistan Alexander Arkadevich Feinberg, his creative path, poetic collections of the talented poet, immortal works, information about him from contemporary poets, his translations along with his contribution to Uzbek cinematography.

**Key words:** Alexander Feinberg, literature, poetic collections, journalism, translation, international, scenario, cinematography, film, animation film, medal.

“Adabiyot – xalqning yuragi, elning ma'naviyatini ko'rsatadi. Bugungi murakkab zamonda odamlar qalbiga yo'l topish, ularni ezgu maqsadlarga ilhomlashtirishda adabiyotning ta'sirchan kuchidanfoydalanish kerak. Ajdodlar merosini o'rganish, buyuk madaniyatimizga munosib buyuk adabiyot yaratish uchun hamma sharoitlarni yaratamiz”.

O'zbekiston Respublikasi Prezidenti Shavkat Mirziyoyev



Darhaqiqat, adabiyot insonning ruhiy olamini boyituvchi yuksak bir vosita hisoblanadi. Boshqa sohalarga nisbatan badiiy sdabiyotda o‘zini birmuncha erkin his qiladi. Albatta barchaning ruhi, ya’ni ma’naviy olami bor, inson ruhi faqat o‘ziga o‘xshash tomonlari bor bo‘lgan ruhni uchratgandagina taskin topadi. O‘sha zamonlarda ham men kabilar bo‘lgan ekan-da, deya ta’sirlanadi, hissiyotlari junbushga keladi. Bu qanday ro‘y beradi? Albatta, badiiy asarlar, she’rlar, hikoyalar, roman va qissalar o‘qish oqali ko‘p insonlar ichki dunyosiga sayohat qilamiz. Shu o‘rinda ta’kidlab o‘tish kerakki, Aleksandr Faynberg aynan shunday asarlarni yozuvchi insonlar qatoriga kiradi, uning she’rlarida nafaqat rus va Yevropa yozuvchilarining badiiy uslublari, balki Sharq mumtoz she’riyati an’analari ham yaqqol ko‘zga tashlanadi.

Aslida ota-onasi, millati rus bo‘lgan Aleksandr Arkadevich Faynberg 1939-yil Toshkentda dunyoga kelgan. Otasi va onasi Novosibirskdan O‘zbekistonga u tug‘ilishidan avval ko‘chib kelgan. Maktabni tugatgach, Toshkent topografiya kexnikumiga o‘qishga kiradi. Uni ham muvaffaqiyatli tugatgach, harbiy xizmatga Tojikistonga ketadi. 1965-yilda Toshkent universitetini tamomlab, jurnalistika fakultetining sirtqi bo‘limida tahsil oladi.

O‘zbekiston Yozuvchilar Uyushmasi a’zosi va talabalar gazetasida tirishqoqlik bilan faoliyat yuritgan shoirning qator she’rlari dastlab, "Smena", "Yoshlik", "Sharq yulduzi", "Yangi dunyo", "Yangi Volga" jurnallarida, keyinchalik AQSh, Kanada, Isroil matbuotlarida ham nashr qilingan. 1965-1969-yillarda O‘zbekiston Yozuvchilar uyushmasi maslahatchisi bo‘lgan. Tobora ko‘payib borayotgan she’rlarini "Etyud" (1967), "Soniya" (1969), "She’rlar" (1977), "Olis ko‘priklar" (1978), "Ijobat" (1982), "Qisqa to‘lqin" (1983), "Yoyma to‘r" (1984), "Erkin sonetlar" (1990) nomlari ostida she’riy to‘plamlar holatiga keltirdi. Toshkent shahridan tashqari, Moskva va Sankt Peterburgda ham bir qancha she’riy to‘plamlari nashr qilingan

U ikki xalq – o‘zbek va rus xalqining badiiy uslublarni ajoyib tarzda jamlab, baynalminal aloqalar vujudga kelishiga o‘z hissasini qo‘shgan. “Peshonamga bitilgan baxtim bor ekan, — deb yozadi Aleksandr Faynberg. — Men mustaqil O‘zbekistonda yashayman. O‘z umrim davomida milliy kamsitishni hech qachon his etmaganman. Adabiyot yo‘lida menga o‘zbek yozuvchilari juda ko‘p bora yordam berishdi. Butun ijodim davomida Abdulla Oripov, Erkin Vohidov va ko‘pdan-ko‘p yozuvchilar, rassomlar, musiqachilar, boshqa turli kasb egalarining yaxshiliklaridan



bahramand bo‘lib kelmoqdaman”. O‘zbek xalqiga hurmati baland bol‘gan fidokor shoir o‘z vaqtida tarjimonlik bilan ham shug‘ullandi. Jumladan, mashhur o‘zbek shoirlarining she‘riy to‘plamlarini rus tiliga tarjima qildi. O‘zbek she‘riyatining dunyo taniydigan adibi Alisher Navoiy g‘azallarini, Erkin Vohidovning “Ruhlar isyoni” dostonini, Abdulla Oripov, Asqad Muxtor, Omon Matjon, Usmon Azim, Sirojiddin Sayyid, Azim Suyun va boshqa shoirlarning she‘rlarini rus tiliga o‘z maromiga yetkazib tarjima qildi. Uning bir qancha shoirlar she‘rlaridan tarjima qilganlari jamlanib, Toshjentda “Oqqushlar galasi” nomi ostida nashr qilindi. O‘zbek qalbli rusiyzabon shoirning tarjimalari orqali o‘zbek adabiyoti durdonalaridan Yevropa mamlakatlari ham bahramand bo‘ldi.

Aleksandr Faynberg o‘zbek kinematografiyasiga ham salmoqli hissa qo‘shgan adib hisoblanadi. Uning ssenariylari asosida “O‘zbekfilm” kinostudiyasida “Mening akam”, “Jazirama oftob tagida”, “Qandahorda toblanganlar”, “Tojikfilm” kinostudiyasida esa “Jinoyatchi va oqlovchilar” kabi filmlar suratga olingan. Faynberg ssenariysi asosida to‘rtta to‘liq metrajli badiiy film va 20 ga yaqin multfilmlar yaratilgan. 1999-yil Paxtakor futbol jamoasining fojiali halokatdagi o‘limi munosabati bilan uning ssenariysi asosida “Ularning to‘p maydoni osmonda” nomli film suratga olingan bo‘lib, filmning qo‘shiq matni ham Aleksandr Faynberg qalamiga mansub.

1999-yil 23-avgustda “O‘zbekistonda xizmat ko‘rsatgan madaniyat xodimi” deb taqdirlandi. Shuningdek, 2004-yilda 23-avgustda “O‘zbekiston xalq shoiri” deb e‘tirof etilgan. O‘zbekiston xalq shoiri, Yozuvchilar uyushmasi maslahatchisi, kinomatografiyaning taraqqiy etishiga o‘z hissasini qo‘shgan Aleksandr Faynberg Rossiya Prezidenti Farmoni bilan Rossiya va O‘zbekiston o‘rtasidagi madaniy aloqalarga munosib hissa qo‘shganligi uchun 2009-yil Pushkin medali bilan taqdirlangan

Faynberg samimiy yozuchi, u she‘rlaridagi holatlarni tabiiy bo‘yoqlarda tasvirlaydi, har qanday bo‘rttirishlardan yiroq. She‘rlari tabiat manzaralaridan tortib, o‘zbek milliy qadriyatlari, vatanga bo‘lgan sevgi, muhabbat, baxt, do‘stlik, ijtimoiy-hayotiy mavzularni o‘z ichiga oladi. “Vatan” nomli she‘rida u shunday deydi:

Dalalarni kezdim qadamma-qadam,  
Teodolit ko‘tarib, o‘lchadim tanob.  
Loysuvoq uylarda simirdim chalob,  
Eshiksiz hovlilar ochiqdir mudom.





Mushfiq yurt. Shu yerda nasl-u nasabim –

O‘zbekistondadir xokim, turobim.

Hoy, Yevropa! Seni tanimayman ham.

She‘rdan shuni anglashimiz mumkin-ki, Faynberg uchun yurt dalalari, loysuvoq uylari, eshiksiz hovlilari-yu, doim ochiq turadigan uylar, hamma-hammasi qadrli. Yana u nasl-u nasabi, xokini ham shu yurt bilan chambarchas bog‘laydi. Bir so‘z bilan aytganda she‘rlari ko‘rinishidan sodda, ammo teran ma‘nolarni mujassamlashtira olgan.

Xulosa qilib aytadigan bo‘lsak, Aleksandr Faynberg madaniyat va san‘atning bir qancha turini o‘zida mujassamlashtira oldi. Jumladan, o‘zi she‘rlar yozdi, badiiy tarjima bilan shug‘ullandi, o‘zbek kinochiligida ham o‘z o‘rniga ega bo‘ldi. Bu sa‘y-harakatlari orqali nafaqat hayotlik chog‘larida yurt ardog‘ida bo‘ldi, balki bir necha yillar o‘tganiga qaramasdan hozir ham ijodlari sevib o‘qiladi, o‘rganiladi, shoir xalq e‘tirofida.

#### FOYDALANILGAN ADABIYOTLAR RO‘YXATI:

1. Aleksandr Faynberg. Qoralanmaga qasida. – Toshkent: Adabiyot, 2021. – 11-bet.
2. <https://n.ziyouz.com/portal-haqida/xarita/jahon-she-riyati/rus-she-riyati/aleksandr-faynberg-1939-2009>
3. [https://uz.wikipedia.org/wiki/Aleksandr\\_Faynberg](https://uz.wikipedia.org/wiki/Aleksandr_Faynberg)

---

# Research Science and Innovation House

## ДИАГНОСТИКА И ХИРУРГИЧЕСКОГО ЛЕЧЕНИЯ СВИЩЕЙ ПРЯМОЙ КИШКИ

**Шеркулов Кодир Усмонкулович, Давлатов Салим Сулаймонович,  
Усмонкулов Маъруфжон Кодирович, Болтаева Нилуфар Комил кизи  
Самаркандский государственный медицинский университет,  
г. Самарканд, Республика Узбекистан.**

Свищи прямой кишки – одно из наиболее распространенных колопроктологических заболеваний. На долю свищей прямой кишки приходится 15-45% пациентов в структуре колоректальной патологии. Больные хроническим парапроктитом составляют 0,5-4% от общего числа стационарных хирургических больных и 30-35% среди пациентов с заболеваниями прямой кишки (Муравьев А.В. и соавт., 2012; Зитта Д.В. и соавт., 2013; Жуков Б.Н. и соавт. 2008). Распространенность заболевания составляет 6-12 на 100 тыс. человек.

Многие авторы отмечают, что оперативное вмешательство в виде вскрытия абсцесса и самопроизвольное опорожнение гнойника являются основными причинами формирования свищей прямой кишки, в том числе неполных. Однако, как показал анализ литературы, существуют дополнительные факторы, способствующие образованию свищей прямой кишки, в том числе неполных внутренних, и чаще всего они связаны с патологией аноректальной области (криптит, геморрой, анальная трещина). Японские авторы провели многофакторный анализ, благодаря которому установлены факторы риска возникновения свищей прямой кишки.

Классификации неполных внутренних свищей прямой кишки в настоящее время не существует, так как их не выделяют в отдельную нозологическую форму, что, по нашему мнению, связано с терминологической





«прорехой». В отечественной хирургической практике используют классификацию, предложенную А.Н. Рыжих в 1956 г., в которой в зависимости от отношения к волокнам наружного сфинктера свищи прямой кишки делят на интрасфинктерные, или подкожно-подслизистые, трансфинктерные и экстрасфинктерные. Выделяют также неполные (есть только внутреннее отверстие) и полные (наличие наружного и внутреннего отверстий) свищи прямой кишки.

До сих пор отсутствует единое определение неполных внутренних свищей прямой кишки и их классификация, что не позволяет систематизировать подходы к лечению. Современные методы исследования (МРТ, УЗИ) во многом могут облегчить установление архитектоники свищевого хода до операции и тем самым снизить риск развития недостаточности анального сфинктера и рецидива заболевания. В современных условиях большинство методов хирургического лечения направлены на уменьшение травматизации анального сфинктера и снижение риска рецидива заболевания. Однако только в двух современных публикациях, посвященных лечению неполных внутренних свищей прямой кишки, обсуждаются сфинктерсохраняющие методики, но в них не дана оценка отдаленных результатов. Стоит отметить, что подавляющее большинство пациентов с неполными внутренними свищами ранее перенесли оперативные вмешательства на анальном сфинктере. В этом случае необходимо проводить оценку состояния мышц анального сфинктера до и после хирургического вмешательства с целью профилактики развития недостаточности анального сфинктера.

**Цель исследования** является улучшение результатов лечения больных со свищами прямой кишки путем оптимизации методов диагностики и выбора объема операции.

**Ключевые слова:** свищи прямой кишки, колоректальной, интрасфинктерные, трансфинктерные, экстрасфинктерные, колопроктология.

**Материал и методы.** Основу клинического материала составили данные медицинских карт 254 пациентов с свищами прямой кишки, пролеченных в клиники СамМГУ отделении колопроктологии за период с 2017 по 2022 год. Возраст больных 16-64 лет, женщин-183, мужчин-71. Для изучения и сравнения результатов лечения, все пациенты были распределены на следующие группы:

I- контрольная группа была представлена 37 пациентами, которым была проведена стандартная, традиционная терапия,

II-основная группа была представлена 217 больными, при лечении которых были использованы новые подходы диагностики и лечения больных со свищами прямой кишки.

В предоперационном периоде все пациенты проходили специальный комплекс обследования, включающий: сбор жалоб и анамнеза, наружный осмотр, пальцевое исследование прямой кишки, зондирование, пробу с красителем, ректороманоскопию, фистулографию в двух проекциях.

По статистике, примерно 92% больных со свищами прямой кишки связывают начало заболевания ранее перенесенным острым парапроктитом. Очень часто болезнь протекает волнообразно, на фоне существования свища



может быть обострение воспаления при закупорке наружного отверстия или свищевого хода. При этом может возникнуть абсцесс, после вскрытия и опорожнения его острые воспалительные явления стихают, количество отделяемого из раны уменьшается, исчезают боли, улучшается общее состояние, однако рана полностью не заживает, остается ранка не более одного сантиметра в диаметре, из которой продолжает выделяться периодически гнойное отделяемое. В ремиссий боли для свища прямой кишки не характерны. Общее состояние в это время также не страдает.

Таблица 1. Распределение больных по полу и возрасту

Возраст	Мужчин	Женщин	Общее число
16-21	14	49	63
22-31	27	78	105
32-41	17	37	54
42-51	4	7	11
52-64	7	9	16
старше 64 лет	2	3	5
итого	71	183	254

Форма наружного отверстия, отверстий свища и расстояние от края ануса не являются показателем глубины прохождения свищевого хода. Иногда свищ, наружное отверстие которого отстоит относительно далеко от края ануса, проходит под кожей и наоборот, свищ, расположенный вблизи ануса, может идти параллельно стенке прямой кишки и проникать вглубь сфинктера.

Важен, хотя и непостоянен, такой признак, как прощупывание свищевого хода под кожей. Наличие такого подкожного “шнура” обычно характерно для неглубоких подкожных интра- и трансфинктерных свищей. При длительном существовании свища иногда вокруг его наружного отверстия ткани гипертрофируются и уплотняются, что требуется дооперационной биопсии. Иногда при наличии гнойных полостей по ходу свища определяют гиперемию, гипертермию кожи и плотный, болезненный инфильтрат рядом со свищевым отверстием.

В процессе топической диагностики экстрасфинктерного свища прямой кишки, определения его основного хода, ответвлений и затеков важно удостовериться, что в данном случае свищ “полный», когда промывная жидкость, введенная в наружный свищ (свищи) свободно проходит в кишку через внутреннее свищевое отверстие.

Пальцевое исследование позволяет сразу, хотя бы приблизительно, выяснить тонус и силу сокращения сфинктера, а также делить наличие и локализацию внутреннего свищевого отверстия в анальном канале или хотя бы локальную болезненность участка стенки анального канала. Внутреннее отверстие гнойного («банального») криптогенного свища прямой кишки обычно точечное, оно пальцем определяется как локальный болезненный уплотненный участок стенки анального канала, окруженный рубцами или инфильтратом, размер его точно определить трудно.

Пальцевое исследование в сочетании с зондированием свища является основным приемом для дифференцировки парапроктита и других параректальных нагноений, таких как фурункул, карбункул, флегмона, киста ректовагинальной перегородки, бартолинит у женщин или парауретрит у мужчин.



Свищи прямой кишки	Основн. группа	Контр. группа	Абсолют. число	%
Экстрасфинктерный	34	24	58	22,9%
Транссфинктерный	97	9	106	41,7%
Интрасфинктерный	86	4	90	35,4%
Итого	217	37	254	100

Нами был использован модифицированный вариант радикальной операции, который был применен у всех 217 больных со свищами прямой кишки, госпитализированных в клинику за это время.

**Выводы.** Таким образом, при экстрасфинктерном свище последний иссекают экономно, чтобы не повредить наружный сфинктер заднего прохода. Рубцово измененные прокрашенные ткани иссекают, при обнаружении гнойных полостей и затеков по ходу свища их вскрывают и санируют. Как правило, после операции рана приобретает Т-образную форму.

Послеоперационное местное лечение проводится с применением обработки рань антисептическим раствором и мазом офломиелидом.

Предложенная нами методика приводит к более гладкому течению послеоперационного периода, уменьшению болевого синдрома, снижению риска возникновения недостаточности анального сфинктера, ускорению заживления раны промежности, сокращению частоты послеоперационных осложнений, уменьшению длительности пребывания больных в стационаре

## Литература

1. Давлатов С.С., Шеркулов К.У., Хирургическое лечение сочетанной неопухолевой патологии прямой кишки и анльного канала (обзор литературы) Достижения науки и образования. – 2022. – № 4 (4). – С. 12–17.
2. Камолов Т.К., Муртазаев З.И., Шеркулов К.У., Бойсариев Ш.У., Камолов С.Ж. Причины возникновения послеоперационной недостаточности анального сфинктера. Национальная ассоциация ученых. -2016.-№1 (1).-стр. 24-29.
3. Воробьев Г.И. Основы колопроктологии. - М.,2006. - 432с.
4. Шеркулов К.У. Analysis of surgical treatment of acute paraproctitis. Проблемы биологии и медицины. 2022, №4 (137) 227-229.
5. Мусаев Х.Н. Хирургическое лечение прямокишечно-влагалищных свищей. Хирургия, 2009.-N 9.-С.55-58.
6. Федоров В.Д., Воробьев Г.И., Ривкин В.Л. Клиническая оперативная колопроктология. М., Медицина – 1994. С-450-453
7. Калантаров Т.К. соавт. Есть ли альтернатива колостоме?/ ранения толстой кишки в военное и мирное время. Материалы конференции. Красногорск 1997, С-114-115
8. Хабурзания А.К., Петров В.П., Лазерев Г.В., Китаев А.В. Общие вопросы хирургической тактики при огнестрельных ранениях толстой кишки //Ранение толстой кишки в военное и мирное время; Материалы конф. Красногорск. 1997.-С. 74-77.
9. Roche.B, Michel J.M., Deleavat J., Peter R/Marti M.C. Traumatic lesionis of the anorectum // Swiss Surgery/ - 1998.-№.- P.249-252.
10. Maconi G. Parente F(1999) Hydrogen peroxide enhanced ultrasound-fistulography in the assessment of enterocutaneous fistulas complicating Crohn s disease. Gut 45874-878.
11. Алиев С.А., Повреждение толстой кишки в неотложной хирургии // Хирургия -2000.-№10. С. 35-41.
12. Ревской А.К., Люфинг А.А., Войновский Е.А., Клипак В.М. Огнестрельния живота и таза: Руководство для врачей.-М. 2000-320с.



13. Горфинкель И.В., Рехен Д.Г., Чирков Ю.В. Наружные кишечные свищи после гинекологических операций и их лечение // Вестн. Хир. -2000-№ 3. 85-87стр.

14. Петров В.П. с соавт. Хирургическая тактика при огнестрельных ранениях толстой кишки. Военно-мед.журнал 2001 № 7. 19-26стр.



Research Science and  
Innovation House



## O‘ZBEKISTON RESPUBLIKASI ELEKTROTEXNIKA SANOATINISH O‘ZIGA XOS JIHATLARI

**Bahodirov Jahongir Bahodir o‘g‘li**

Toshkent Davlat Iqtisodiyot Universiteti Magistranti

E-mail id: [nextapple1999@gmail.com](mailto:nextapple1999@gmail.com)

### ANNOTATSIYA

Maqolada O‘zbekiston Respublikasida elektrotexnika sanoatini iqtisodiy rivojlanishi, elektrotexnika mahsulotlari ishlab chiqarish hajmining o‘shish sur‘atlari, elektrotexnika mahsulotlarining eksport ko‘rsatkichlari, mahsulotlar eksporti geografiyasi, “O‘zeltexsanoat” uyushmasi faoliyati va uyushmaning so‘ngi yillardagi ko‘rsatkichlari tahlil qilishgan va shunishdek kelajakda sohani rivojlantirish uchun qator takliflar keltirib o‘tilgan.

**Kalit so‘zlar:** eksport, import, elektrotexnika, investitsiyalar, “O‘zeltexsanoat”, mahalliyashtirish, maishiy texnika.

### ОСОБЕННОСТИ ЭЛЕКТРОПРОМЫШЛЕННОСТИ РЕСПУБЛИКИ УЗБЕКИСТАН

### АННОТАЦИЯ

В статье анализируются экономическое развитие электротехнической промышленности Республики Узбекистан, темпы роста производства электротехнической продукции, показатели экспорта электротехнической продукции, география экспорта продукции, деятельность ассоциации «Узэлтеханоат». и показателей ассоциации за последние годы, а также на перспективу. Был сделан ряд предложений по развитию отрасли.

**Ключевые слова:** экспорт, импорт, электротехника, инвестиции, «Узэлтеханоат», локализация, бытовая техника.



## SPECIFIC ASPECTS OF THE ELECTRONIC TECH INDUSTRY OF THE REPUBLIC OF UZBEKISTAN

### ABSTRACT

The article analyzes the economic development of the electrical engineering industry in the Republic of Uzbekistan, the rate of growth of the production of electrical engineering products, the export indicators of electrical engineering products, the geography of product export, the activities of the association "Uzeltexanoat" and the indicators of the association in recent years and also in the future. a number of proposals for the development of the sector have been made.

**Key words:** export, import, electrical engineering, investments, "Uzeltexanoat", localization, household appliances.

**Kirish.** O‘zbekiston o‘z infratuzilmasini modernizatsiya qilish va energetika salohiyatini oshirishga sarmoya kiritishda davom etar ekan, so‘nggi yillarda elektrotexnika sanoatida sezilarli rivojlanish kuzatilmoqda. O‘zbekiston elektrotexnika sanoatini o‘ziga xos jihatlarni o‘rganishga arziydi, chunki ular mamlakatni energiyaga bo‘lgan o‘sib borayotgan talablarini qondirish, samaradorlikni oshirish va qayta tiklanadigan manbalarni energiya ishlab chiqarish majmuasiga kiritish borasidagi sa‘y-harakatlari haqida ma‘lumot beradi. Energiya ishlab chiqarish va uzatish imkoniyatlarini kengaytirishdan tortib, aqlli tarmoq texnologiyasini integratsiyalashuvi va qayta tiklanadigan energiyani ilgari surishgacha O‘zbekiston elektrotexnika sanoatini umumiy manzarasiga hissa qo‘shadigan ko‘plab jihatlarni mavjud. Ushbu kirish ushbu o‘ziga xos jihatlarni qisqacha ko‘rinishini taqdim etadi va sohani shakllantirayotgan davom etayotgan o‘zgarishlar va yutuqlarni ta’kidlaydi.

Raqamlarga murojat qiladigan bo‘lsak, elektrotexnika sanoati 21-asrda eng tezkor rivoj topayotgan sanoat tarmoqlaridan biridir. Global elektronika bozori hajmi 2022 yilda 1497415,58 million AQSh dollarini tashkil etdi va prognoz davrida o‘rtacha yillik o‘sish sur‘ati (CAGR) 5,5 foizga kengayishi kutilmoqda va 2028 yilga kelib 2065063,0 million dollarga yetadi.<sup>1</sup>

So‘nggi o‘n yilliklarda global elektronika sanoati boshqa ishlab chiqarish tarmoqlariga qaraganda ko‘proq daromad keltiruvchi jahon iqtisodiyotidagi eng

<sup>1</sup>[https://www.linkedin.com/pulse/2023-global-electronics-market-upcoming-demand-supply#:~:text=2023%2D2029\)%3AThe%20global%20Electronics%20market%20size%20was%20valued%20at%20USD%201497415.58,routines%20in%20the%20past%20decade.](https://www.linkedin.com/pulse/2023-global-electronics-market-upcoming-demand-supply#:~:text=2023%2D2029)%3AThe%20global%20Electronics%20market%20size%20was%20valued%20at%20USD%201497415.58,routines%20in%20the%20past%20decade.)



yiriklaridan biriga aylandi. Taxminan 18 million ishchi jahon importinish 20 foizini ishlab chiqaradi va elektronika mahsulotlarinish 1,7 trillion dollarlik savdosini yaratadi.<sup>2</sup>

O‘zbekiston Respublikasi Prezidentinish «Elektrotexnika sanoatini yanada rivojlantirish va mahalliy mahsulotlarnish raqobatbardoshligini oshirishga doir qo‘shimcha chora-tadbirlar to‘g‘risida»gi 2021-yil 2-martdagi PQ-5011-son qaroriga muvofiq Respublikamiz korxonalarini tomonidan ishlab chiqarilgan elektrotexnika mahsulotlarini eksport qilishda quyidagi imtiyozlar taqdim etiladi:

- “O‘zeltexsanoat” uyushmasi kafolatlariga asosan, elektrotexnika mahsulotlarini eksport qilish natijasida yuzaga keladigan QQS (qo‘shimcha qiymat solig‘i) summasi Davlat soliq qo‘mitasi tomonidan 3 kun muddatda qoplab beriladi;

- Yuqori qo‘shilgan qiymatli mis mahsulotlarini eksport qiluvchi tarmoq korxonalarinish mahsulotlar ishlab chiqarish va ularni tashqi bozorlarda sotish bilan bog‘liq xarajatlar mahsulot turlaridan kelib chiqib, eksport qiymatinish 6 foizigacha miqdorda qoplanadi;

- eksport qiluvchi korxonalarini aylanma mablag‘lar bilan to‘ldirish uchun Eksportni rag‘batlantirish agentligi tomonidan 3 mln. dollaridan ko‘p bo‘lmagan miqdorda yillik 2 foizli stavkada revolyer tartibda mablag‘lar ajratiladi;

- elektrotexnika mahsulotlarini barcha davlatlarga, jumladan qo‘shni davlatlarga eksport qilishda eksport qilishda barcha turdagi transport xarajatlarinish 50 foizi Eksportni rag‘batlantirish agentligi tomonidan subsidiya qilinadi;

- Xalqaro ko‘rgazmalar va yarmarkalarda ishtirok etish bilan bog‘liq xarajatlarnish 50 foizi (lekin bitta holat bo‘yicha ekvivalenti 10 mish AQSh dollaridan ko‘p bo‘lmagan miqdorda) Elektrotexnika sanoatini rivojlantirish jamg‘armasi mablag‘lari hisobidan qoplanadi;

- tanlovlar (tenderlar) doirasida tijorat banklaridan kafolatlar olishda garov ta‘minoti sifatida Eksportni rag‘batlantirish agentligi tomonidan kafolat summasinish 50 foizigacha moliyaviy kafilliklar beriladi.<sup>3</sup>

<sup>2</sup> [https://electronicswatch.org/en/workers-issues\\_2548644](https://electronicswatch.org/en/workers-issues_2548644)

<sup>3</sup> Mamayusupova, Mashxura Sodiqovna Farg‘ona politexnika instituti, tayanch doktoranti “Elektrotexnika sanoati mahsulotlarinig eksport salohiyatini oshirish rivojlanishning muhim omili sifatida”.



Yuqoridagi ma'lumotlar shuni ko'rsatadiki mamlakatimizda bu sanoatnish rivojlanishi mamlakatnish nafaqat ichki balki tashqi savdo saldosiga ham ijobiy ta'sir ko'rsatishi mumkin.

### **Mavzuga oid adabiyotlarnish tahlili**

O'zbekiston hududlari va sanoatinish eksport salohiyatini rivojlantirishnish nazariy va amaliy muammolari M.Abdusalomov, A.Vahobov, A.Rasulev, R.Raxmonov, L.Mishashov, N.Sirojiddinov, N.Otajonov, D.Xaydarov, N.Asqarov, M.T.Bo'taboev va boshqalar tomonidan tadqiq qilishan.

A.B.Petrochenko<sup>4</sup> o'z tadqiqotlarida elektrotexnika sanoat korxonalarinish energiya-axborot modeli ikki bosqichini: birinchi bosqich alohida elementlarnish modellarini yaratish, ikkinchi bosqich ularnish o'zaro ta'siri modelini taklif etgan.

V.V. Xrenov<sup>5</sup> o'z ilmiy izlanishlarida elektronika sanoati korxonalarida rangli metallurgiya eksport faoliyati o'rganilgan.

M. I. Semuxin<sup>6</sup> tadqiqotlari elektrotexnika sanoati korxonalarinish tashqi bozoriga kirishnish o'ziga xos xususiyatlariga bag'ishlangan. Unish fikricha, tashqi iqtisodiy faoliyat samaradorliginish asosi import qiluvchi mamlakatnish o'ziga xos xususiyatlarini hisobga olgan holda kompleks strategiyani ishlab chiqishdir. Shunishdek, elektr jihozlarini ishlab chiqarish jarayoninish xususiyatlarini hisobga olish kerak. Shu munosabat bilan elektrotexnika korxonalarini faoliyatiga ta'sir etuvchi omillar ko'rib chiqilib, mahsulotlarni tashqi bozor talablariga moslashtirish yo'llari belgilandi.

S.J.Tursunxo'jaev<sup>7</sup> o'z inish tadqiqotlarida O'zbekistonda elektrotexnika sanoati korxonalarinish iqtisodiy xavfsizligini ta'minlashda marketish vositalaridan foydalanishni takomillashtirish masalalarini o'rgangan.

M.Y.Mamayusupova<sup>8</sup> “Elektrotexnika sanoati maxsulotlarinig eksport salohiyatini oshirish rivojlanishnish muhim omili sifatida” va “tashqi savdo

<sup>4</sup> Петроченков, А. Б. (2014). Энергоинформационная модель электротехнических комплексов промышленных предприятий. *Электротехника*, (11), 47-51.

<sup>5</sup> Хренов, В. В. (2021). Экспортная деятельность предприятий электротехнической промышленности и цветной металлургии города свердловска в отношении КНДР в 1958 Г. *Корееведение в России: направление и развитие*, 2(4), 137-144.

<sup>6</sup> Семухин, М. И. (2019). Особенности выхода на внешний рынок электротехнических компаний. In *Фундаментальные и прикладные научные исследования: инноватика в современном мире* (pp. 63-67).

<sup>7</sup> S.J.Tursunxo'jaev. Korxonalar iqtisodiy havfsizligini ta'minlashda marketing vositalaridan foydalanishni takomillashtirish. (PhD) il. dar. Olish uchun avtoreferat.-T.-2022, -58 b.

<sup>8</sup> Mamayusupova, M. S. (2023). Elektrotexnika sanoati maxsulotlarinig eksport salohiyatini oshirish rivojlanishning muhim omili sifatida. *Nazariy va amaliy tadqiqotlar xalqaro jurnali*, 3 (02), 65-72

siyosatini mustahkamlash va eksportni rag‘batlantirishda elektrotexnika sanoati mahsulotlarinish roli va ahamiyati” nomli maqolalarida ham mamlakatimizdagi elektrotexnika sanoatinish imkoniyatlari va tahlillari ko‘rib o‘tilgan.

### **Tadqiqot metodologiyasi**

Izlanishlarimiz natijasida elektrotexnika sanoati mahsulotlarini ishlab chiqish, eksport geografiyasi va mavjud imkoniyatlarimizdan samarali foydalanish yo‘llarini takomillashtirishga qaratilgan nazariy va amaliy ishlar tahlil qilishan. Tadqiqotni olib borishda makon va zamon, miqdor va sifat, abstrakt fikrlash, mantiqiy yondoshuv, qiyosiy tahlil hamda istiqbolli bashoratlash kabi usullaridan keng foydalanilgan.

### **Tahlil va natijalar**

Maishiy elektronika so‘nggi o‘n yilda iste‘molchilarnish kundalik hayotinish muhim qismiga aylandi. Smartfonlar, kompyuterlar, noutbuklar, raqamli kameralar, planshetlar va printerlar kabi an‘anaviy iste‘molchi elektron mahsulotlardan tortib, videokameralar, aqlli televizorlar va taqiladigan elektron qurilmalar kabi ilg‘or mahsulotlargacha maishiy elektronika keng mahsulot katalogini o‘z ichiga oladi.

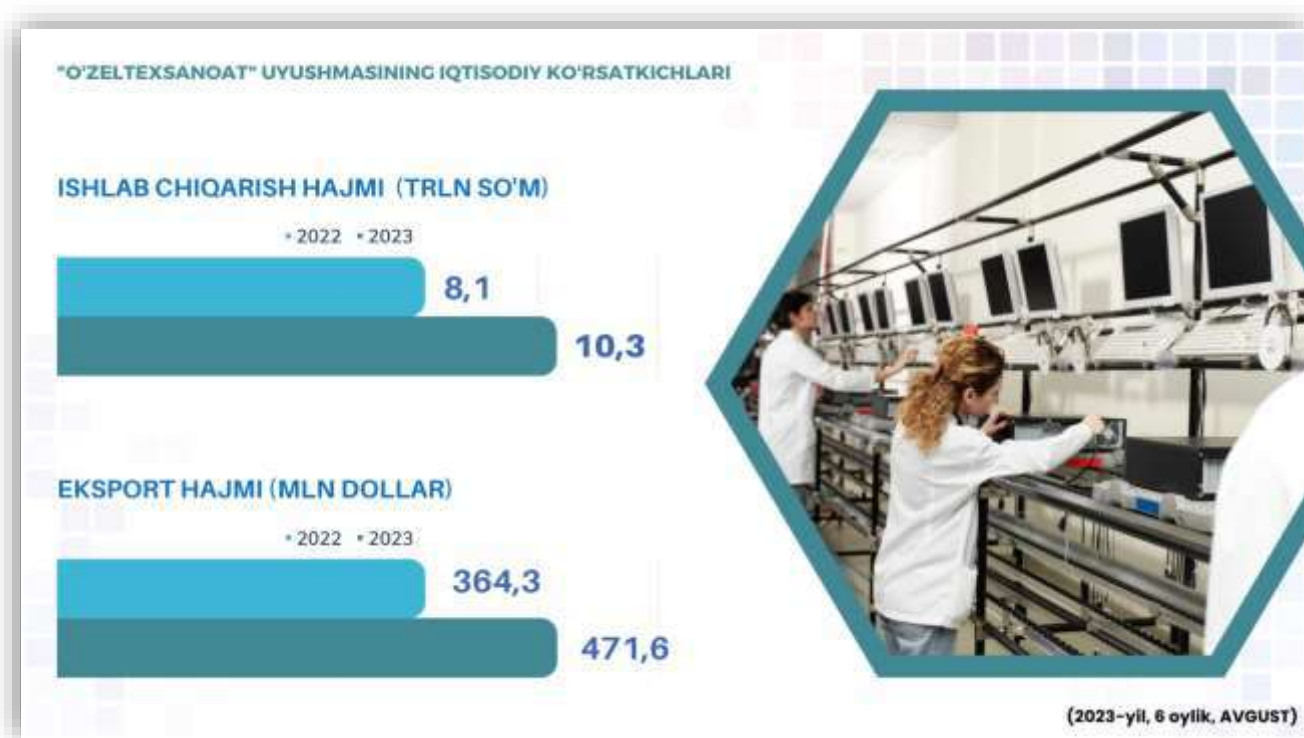
Ayni sohani rivojlantirish maqsadida “O‘zeltexsanoat” uyushmasi 1994-yil 21-yanvarda O‘zbekiston Respublikasi Prezidentinish “Iqtisodiy islohotlarni yanada chuqurlashtirish, xususiy mulk manfaatlarini himoya qilish va tadbirkorlikni rivojlantirish chora-tadbirlari to‘g‘risida”gi farmoni bilan O‘zbekiston radioelektronika, elektronika va asbobsozlik sanoati konserni asosida tashkil etildi.

Bugungi kunga kelib uyushma tarkibiga respublikanish 75 ta yirik elektrotexnika mahsulotlari ishlab chiqaruvchi korxonalar azo bo‘lib, shundan 13 tasi – kabel-sim mahsulotlari, 27 tasi – maishiy texnika va 37 tasi – boshqa turdagi elektrotexnika mahsulotlari ishlab chiqaruvchi korxonalar turiga kiradi. Respublikada ishlab chiqariladigan elektrotexnika mahsulotlarinish 81 foizi aynan ushbu korxonalar ulushiga to‘g‘ri kelmoqda.

Hozirgi vaqtda soha korxonalarida faoliyat yuritayotgan ishchilar soni – 30,9 mishtani tashkil etmoqda. Uyushma korxonalari tomonidan 2023 yilnish I yarim yilligida, sohada mahsulot ishlab chiqarish hajmi 10,3 trln. so‘mga yetkazildi.

Joriy yilnish o‘tgan 6 oyi yakuni bilan korxonalar tomonidan jami 471,6 mln. dollarlik mahsulotlar tashqi bozorlarga eksport qilindi.





### 1-rasm. “O‘zeltexsanoat” uyushmasinsh iqtisodiy ko‘rsatkichlari COVID-19 ta’siri:

Pandemiya butun dunyoni falaj qildi, bu esa retsessiya xavfinsh kuchayishiga va ish o‘rinlarinsh yo‘qolishiga olib keldi. Kompaniyalar bozordagi o‘zgaruvchanlik sharoitida daromadni maksimal darajada oshirish uchun strategiyani ishlab chiqishni boshladilar. Elektronika bozori o‘shish potentsialiga ta’sir ko‘rsatuvchi ta’minot zanjirlarini boshdan kechirdi.

2022 yil yanvar-mart oylarida “O‘zeltexsanoat” uyushmasi korxonalarini barcha rejalashtirilgan maqsadlarga erishdilar va ishlab chiqarishni kengaytirish va to‘g‘ridan-to‘g‘ri xorijiy investitsiyalarni jalb qilish bo‘yicha prognoz ko‘rsatkichlarini bajardilar.

Assotsiatsiyanish 87 a‘zosi bor, ulardan 15 tasi kabel va sim mahsulotlari ishlab chiqaruvchi, 43 tasi maishiy texnika ishlab chiqaruvchi, qolgan 29 tasi boshqa elektrotexnika mahsulotlarini ishlab chiqaruvchi. Sanoatda 25500 dan ortiq kishi ishlaydi. Shu davrda sanoat mahsulotlari ishlab chiqarish hajmi joriy narxlarda 3609,9 milliard so‘mni tashkil etdi. Sanoat ishlab chiqarishinsh o‘shish sur‘ati 2021 yilnish tegishli davriga nisbatan 117,1 foizni tashkil etdi. Mahsulot eksporti 148,7

million dollarni tashkil etdi. Investitsiyalarni rivojlantirishni haqiqiy hajmi 14,2 million dollarni tashkil etdi.<sup>9</sup>

2023 yil yanvar oyida “O‘zeltexsanoat” uyushmasi korxonalari tomonidan ishlab chiqarishni kengaytirish va to‘g‘ridan-to‘g‘ri xorijiy investitsiyalarni jalb qilish bo‘yicha belgilangan maqsadlarga erishildi va prognoz ko‘rsatkichlari bajarildi.

Uyushmanish 87 a‘zosi bor, ulardan 15 nafari kabel va o‘tkazgich mahsulotlarini ishlab chiqaruvchilar, 43 nafari maishiy texnika ishlab chiqaruvchilari, qolgan 29 nafari boshqa elektrotexnika mahsulotlarini ishlab chiqaruvchilar. Sanoatda 25,5 mishdan ortiq kishi ishlaydi. Sanoat mahsulotlari ishlab chiqarish hajmi amaldagi narxlarda 1133,3 mlrd.so‘mni tashkil etdi.

2023 yil yanvar oyida mahsulot eksporti 68,7 million dollarni tashkil etdi.<sup>10</sup>

### **Xulosa va takliflar**

So‘nggi yillarda O‘zbekistonda elektron sanoat ushbu sohani rivojlantirish va xorijiy investitsiyalarni jalb qilish bo‘yicha hukumat tashabbuslari asosida sezilarli o‘shishni boshdan kechirmoqda. Mamlakat televizorlar, smartfonlar, maishiy texnika va elektron komponentlarni o‘z ichiga olgan keng turdagi mahsulotlarni ishlab chiqarishga e‘tibor qaratib, mahalliy elektronika ishlab chiqarish imkoniyatlarini rivojlantirishga e‘tibor qaratmoqda.

O‘zbekistonda elektron sanoatni o‘shishiga yordam beradigan asosiy omillardan biri bu malakali ishchi kuchini mavjudligi va ishlab chiqarish tannarxini mintaqadagi boshqa mamlakatlarga nisbatan pastligidir. Bundan tashqari, hukumat kompaniyalarni ushbu sohaga sarmoya kiritishni rag‘batlantirish uchun soliq imtiyozlari va subsidiyalar kabi imtiyozlarni taklif qilmoqda.

O‘zbekiston, shunishdek, elektron sanoatni o‘shishini qo‘llab-quvvatlash uchun infratuzilma va logistika tarmog‘ini yaxshilashga harakat qilmoqda. Mamlakat Markaziy Osiyodagi strategik joylashuvidan foydalangan holda elektronika ishlab chiqarish va eksport qilish bo‘yicha mintaqaviy markazga aylanishni maqsad qilgan.

<sup>9</sup> <https://uzeltech.uz/en/statistics/>

<sup>10</sup> <https://uzeltech.uz/ru/statistika/>



Umuman olganda, O‘zbekistonda elektron sanoat investitsiyalarni ko‘paytirish, davlat tomonidan qo‘llab-quvvatlash va texnologik innovatsiyalarga e‘tibor qaratish bilan doimiy o‘shishga tayyor.

Ayni masalada quyidagi qator takliflarni ilgari surish mumkin:

1. Infratuzilmani yaxshilash: elektron ishlab chiqarish operatsiyalarini qo‘llab-quvvatlash uchun elektr ta‘minoti, transport tarmoqlari va logistika kabi infratuzilmani yaxshilashga sarmoya kiritish.

2. Malakali ishchi kuchini rivojlantirish: elektron texnologiyalar sohasi uchun zarur ko‘nikma va bilimlarni ta‘minlash uchun o‘quv dasturlari va ta‘lim muassasalari bilan hamkorlik aloqalarini o‘rnatish.

3. Tadqiqot va ishlanmalarni rag‘batlantirish: kompaniyalarga sohadagi innovatsiyalar va texnologik yutuqlarni rivojlantirish uchun tadqiqot va ishlanmalar faoliyatiga sarmoya kiritishni rag‘batlantirish.

4. Foster hamkorlik: texnologiyalar, bilimlar va ilg‘or tajribalarni mahalliy sanoatga o‘tkazish uchun xalqaro elektronika kompaniyalari va tashkilotlari bilan hamkorlik aloqalarini o‘rnatish.

5. Qoidalarni soddalashtirish: tartibga solish jarayonlarini soddalashtirish va byurokratik to‘siqlarni kamaytirish, kompaniyalarnish elektron texnologiyalar sohasida tashkil etilishi va ishlashini osonlashtirish.

6. Eksportni rag‘batlantirish: O‘zbekiston elektron mahsulotlarini xalqaro bozorlarda ilgari surish va sohaga xorijiy investitsiyalarni jalb qilish strategiyasini ishlab chiqish.

7. Startaplar va ko‘klarni qo‘llab-quvvatlash: mamlakatdagi elektron texnologik startaplar va kichik va o‘rta korxonalarni qo‘llab-quvvatlash uchun dasturlar va moliyalashtirish imkoniyatlarini yaratish.

8. Barqaror amaliyotlarni amalga oshirish: sanoatnish uglerod izini kamaytirish va barqarorlikni ta‘minlash uchun elektron ishlab chiqarish operatsiyalarida ekologik toza amaliyotlarni rag‘batlantirish.

9. Innovatsion markazlarni yaratish: elektron texnologiyalar sanoatida o‘shishni ta‘minlash uchun kompaniyalar hamkorlik qilishi, resurslarni almashishi va birgalikda ishlashi mumkin bo‘lgan innovatsion markazlar yoki texnoparklarni yaratish.

### Foydalanilgan adabiyotlar ro‘yxati:

1. 2023 Global Electronics Market Upcoming Demand and Supply: 2030 Forecast [https://www.linkedin.com/pulse/2023-global-electronics-market-upcomish-demand-supply#:~:text=2023%2D2029\)%3AThe%20global%20Electronics%20market%20size%20was%20valued%20at%20USD%201497415.58,routines%20in%20the%20past%20decade.](https://www.linkedin.com/pulse/2023-global-electronics-market-upcomish-demand-supply#:~:text=2023%2D2029)%3AThe%20global%20Electronics%20market%20size%20was%20valued%20at%20USD%201497415.58,routines%20in%20the%20past%20decade.)
2. [https://electronicswatch.org/en/workers-issues\\_2548644](https://electronicswatch.org/en/workers-issues_2548644)
3. Mamayusupova, Mashxura Sodiqovna Farg‘ona politexnika instituti, tayanch doktorant “Elektrotexnika sanoati maxsulotlarinig eksport salohiyatini oshirish rivojlanishnish muhim omili sifatida”.
4. Mamayusupova, Mashxura Sodiqovna Farg‘ona politexnika instituti, tayanch doktorant “Elektrotexnika sanoati maxsulotlarinig eksport salohiyatini oshirish rivojlanishnish muhim omili sifatida”.
5. Хренов, В. В. (2021). Экспортная деятельность предприятий электротехнической промышленности и цветной металлургии города свердловска в отношении КНДР в 1958 Г. Корееведение в России: направление и развитие, 2(4), 137-144.
6. Семухин, М. И. (2019). Особенности выхода на внешний рынок электротехнических компаний. In *Фундаментальные и прикладные научные исследования: инноватика в современном мире* (pp. 63-67).
7. S.J.Tursunxo‘jaev. Korxonalar iqtisodiy havfsizligini ta‘minlashda marketish vositalaridan foydalanishni takomillashtirish. (PhD) il. dar. Olish uchun avtoreferat.-T.-2022, -58 b.
8. Mamayusupova, M. S. (2023). Elektrotexnika sanoati maxsulotlarinig eksport salohiyatini oshirish rivojlanishnish muhim omili sifatida. *Nazariy va amaliy tadqiqotlar xalqaro jurnali*, 3 (02), 65-72
9. 2023 Global Electronics Market Upcomish Demand and Supply: 2030 Forecast.
10. <https://uzeltech.uz/ru/statistika/>
11. <https://uzeltech.uz/en/statistics>
12. Набижонов, О., Шавкатова, Ш. ., & Саторова , С. . (2022). КОРХОНАЛАРДА ИШЛАБ ЧИҚАРИШ ХАРАЖАТЛАРИНИ МИНИМАЛЛАШТИРИШ СТРАТЕГИЯСИНИНГ НАЗАРИЙ



АСОСЛАРИ. Евразийский журнал права, финансов и прикладных наук, 2(7), 27–29. извлечено от <https://in-academy.uz/index.php/EJLFAS/article/view/1918>

13. Otabek Ganiyevich Nabijonov, & Sh. A. Kholbutaeva (2022). THE ROLE OF CONSULTING IN THE MODERN MARKET ECONOMY. Central Asian Academic Journal of Scientific Research, 2 (2), 5-8.

14. Shavkatova , S. ., & Nabijonov , O. . (2022). INNOVATSIYA FAOLIYATINING ANAMIYATI. Евразийский журнал права, финансов и прикладных наук, 2(11), 4–7. извлечено от <https://in-academy.uz/index.php/EJLFAS/article/view/4088>

15. Отабек Ганиевич Набижонов, Зоҳиджон Раббимқул Ўғли Хужамқулов, and Ф. Б. Шакирова. "ИННОВАЦИЯЛАР НЕГИЗИДА БАРҚАРОР ИҚТИСОДИЙ ЎСИШНИ ТАЪМИНЛАШНИНГ НАЗАРИЙ ЖИҲАТЛАРИ" Central Asian Academic Journal of Scientific Research, vol. 2, no. 4, 2022, pp. 326-334.

16. Nabijonov, O. G., ugli Abdurazzokov, S. O., & ugli Yuldashaliyev, S. Z. (2022). DO WE WANT TO LIBERALIZE TRADE OR VICE VERSA. Academic research in modern science, 1(1), 220-222.

---

# Research Science and Innovation House

## КОНКУРЕНТНЫЕ ПРИЕМУЩЕСТВА ПРИВЛЕЧЕНИЯ ИНВЕСТИЦИЙ В ЭКОНОМИКУ РЕГИОНА

Сапарбаев Куат Аманбай углы

магистрант Каракалпакского государственного университета им.

Бердаха,

Нукус, Республики Узбекистан

**Аннотация.** В статье осуществлен научно-теоретический и практический анализ состояния инвестиционной привлекательности региона Республика Каракалпакстан в конкурентных условиях. В частности, освещена сущность привлекательности региона с точки зрения ожидаемых результатов привлечения инвестиций в отрасли региональной экономики.

**Ключевые слова.** инвестиционные вложения, конкурентные условия, особенности региона, отрасли экономики, доля малого бизнеса в ВРП, среда привлекательности.

**Annotatsiya.** Maqolada raqobat sharoitida Qoraqalpog‘iston Respublikasi mintaqasining investitsion jozibadorligi holati ilmiy, nazariy va amaliy tahlil qilingan. Xususan, hududning jozibadorligining mazmun-mohiyati mintaqa iqtisodiyoti tarmoqlariga investitsiyalarni jalb etishdan kutilayotgan natijalar nuqtai nazaridan alohida ta’kidlangan.

**Kalit so‘zlar.** investitsion qo‘yilmalar, raqobat sharoiti, hududning xususiyatlari, iqtisodiyot tarmoqlari, kichik biznesning YaHMdagi ulushi, jozibadorlik muhiti.

**Annotation.** The article provides a scientific, theoretical and practical analysis of the state of investment attractiveness of the region of the Republic of Karakalpakstan in competitive conditions. In particular, the essence of the region’s attractiveness is highlighted in terms of the expected results of attracting investments in sectors of the regional economy.

**Keywords.** investment attachments, competitive conditions, characteristics of the region, economic sectors, the share of small businesses in GRP, attractiveness environment.

**Введение.** Как известно в конкурентных условиях привлечения инвестиций в экономику региона является желательным фактором, поскольку



происходит не только повышение благосостояния отдельных субъектов экономики, но и развитие общества в целом. Например, если рассмотреть влияние инвестиций на микроуровне, небольшое производство без потенциала расширения и с крупным капиталом собственника часто не нуждается в инвестициях, оно самодостаточно. Напротив, производство с потенциалом расширения, ввода новых технологий, или территория с потенциалом экономического развития, нуждаются в инвестициях.

Если рассматривать привлечение инвестиций на уровне региона, то в большинстве случаев, такая деятельность не столько желательна, сколько необходима: при ограничении одного вида ресурсов, или одного ресурса, на значительной территории есть потенциал разработки, производства, добычи другого вида ресурсов, или другого ресурса. Но в условиях рыночной конкуренции для оценки инвестиционной привлекательности региона, в первую очередь важны географические и климатические данные, сведения об имеющихся физических, экономических ресурсах, составе населения, менталитете и т.п.

**Анализ и результаты.** Основные целями для привлечения инвестиций в регион служит потенциал развития экономики региона. По состоянию на 2018 год основными отраслями экономики региона Республика Каракалпакстан были: промышленность (доля в структуре ВРП - 32,7%), сельское, лесное и рыбное хозяйство (15,2%), строительство (7,5%), торговля, услуги по проживанию и питанию (8%), перевозка и хранение, информация и связь (7,6%) и прочие отрасли услуг (29%) [1]; [3]; [5]; [7]; [10].

При изучении потенциала региона как правило проводится разделение его на экономическую и социальную части, а также исследуется составляющие их компоненты. Эти компоненты на наш взгляд выявляют следующие экономические показатели, в частности:

- объёмы запасов природных и производственных ресурсов;
- существующие и потенциальные направления экономической деятельности;
- транспортный, коммуникационный, энергетический потенциал;
- демографический и кадровый потенциал;
- интенсивность использования указанных ресурсов и их предельные

ВОЗМОЖНОСТИ;

-эффективность использования указанных ресурсов на основе рационально организованного производства, применения современных систем функционального управления, использования интеллектуального потенциала, обеспечения конкурентоспособной рыночной позиции и обеспечения высоких технико-экономических характеристик для достижения баланса целей и интересов развития государства, бизнеса и населения [2]; [3]; [5]; [8].

Рассмотрим общую картину изменения экономической деятельности региона, выраженную в ВРП (табл. 1).

Таблица 1.

**Показатели ВРП Республики Каракалпакстан**

Единица измерения	Период				
	2017 г.	2018 г.	2019 г.	2020 г.	2021 г.
Объём произведённой продукции, млрд. сум	10 855,1	15 703,5	19 715,0	21 949,3	26 250,7
Прирост относительно первого года измерений, %	100	144,7	181,6	202,2	241,8
Объём произведённой продукции на душу населения, млрд. сум	5 932,1	8 461,0	10 463,9	11 485,2	13 558,6
Прирост на душу населения относительно первого года измерений, %	100	142,6	176,4	193,6	228,6
Доля Каракалпакстана/ко всей экономике Узбекистана, %	3,4	3,7	3,7	3,7	3,6
Доля малого бизнеса, %	55,7	55,2	54,7	56,2	56,4

Исходя из данных таблицы видно, что валовой региональный продукт вырос к 2022 году в 2,5 раза по сравнению с 2017 годом. Стоит обратить внимание, что прирост валового регионального продукта рос постепенно, без неожиданных взлётов и падений. При этом, доля ВРП Каракалпакстана по отношению к ВВП Республики Узбекистан выросла только в 2018 году и





почти не менялась все эти годы, что говорит о том, что развитие экономики Каракалпакстана пока занимает скромную долю от экономики Узбекистана. Доля малого бизнеса в экономике Республики Каракалпакстан занимает более 50% от ВРП региона. Это указывает на то, что частное предпринимательство весьма успешно и определённо чувствует себя свободно для реализации проектов и идей.

При рассмотрении развития промышленности, сельского хозяйства и других видов хозяйственной деятельности в регионе, то прирост объёма произведённой продукции в промышленности коррелирует с ВРП Республики Каракалпакстан. При этом заметим, что относительная доля промышленных производств постепенно снижается по сравнению с Республикой Узбекистан. Доля малого бизнеса в промышленности Каракалпакстана составляет лишь пятую часть. Всё это указывает на то, что развитие промышленности в Каракалпакстане напрямую не коррелирует с развитием предпринимательства.

Вероятно, замедление развития за последние годы могут быть связаны с ограничениями в экономике и убылью населения в результате пандемии из-за распространения коронавируса. Однако основная доля промышленной продукции Каракалпакстана производится в городе Нукусе, а также Ходжейлийском, Амударьинском, Кунградском, Берунийском и Турткульском районах [3]; [4]; [5]; [7].

Наиболее крупные предприятия Республики Каракалпакстан: Кунградский содовый завод, Ходжейлийский стекольный завод, ООО Nukus Polimer, десятки крупных заводов по производству строительных материалов, и Устюртский газохимический комплекс.

Определённо всё сказанное говорит об устойчивой экономике внутри Республикой Узбекистан и региона Каракалпакстан. В то же время надо понимать, что когда говорится об инвестиционном потенциале Каракалпакстана, вектор маркетинговых усилий по привлечению инвесторов часто направлены на зарубежные страны.

Согласно сайту [review.uz](http://review.uz) Республика Каракалпакстан больше всего торговала с Китаем (23,2%), Россией (18,9%), Турцией (16,4%), Казахстаном (9,7%), и др. [5]; [6]; [7]; [8]. Хотя торговые отношения с другой страной и не значат, что другая страна является активным инвестором в Каракалпакстан, но

у такой страны больше шансов стать потенциальным или реальным инвестором в республику.

При продвижении Республики Каракалпакстан в конкурентных условиях перед потенциальными инвесторами важно подчеркнуть другие его выигрышные стороны:

- Каракалпакстан занимает 5-е место в стране по разведанным запасам минерального сырья в расчете на душу населения [3]; [5]; [8].

- В Каракалпакстане есть запасы золота, железа, гранита, мрамора, соли натриевой, известкового камня, фосфорита, газа, нефти и других полезных ископаемых.

- Наиболее развитыми отраслями промышленности Каракалпакстана считаются электроэнергетика, химическая и нефтехимическая отрасли.

- Есть потенциал роста для производства строительных материалов, а наличие сырьевых ресурсов предполагает создание новых производственных мощностей в легкой и пищевой промышленности.

- Рост промышленности Каракалпакстана в ближайшие годы будет связан с освоением месторождений углеводородного сырья на плато Устюрт в Муйнакском и Кунградском районах.

- Перспективными являются производство йодированной соли, углубленная переработка плодоовощного сырья, производство мясомолочной и рыбной продукции, реализация фармацевтических проектов на базе больших запасов корня солодки, каперсов и цисты артемии [3]; [7]; [9]; [10].

- Имеется разветвленная сеть железных и автомобильных дорог, развит авиатранспорт.

**Выводы и предложения.** Проведенный анализ говорит о том, что есть потенциальные производственные, сельскохозяйственные, трудовые и прочие ресурсы, но своих ресурсов в Республике Каракалпакстан недостаточно для широкомасштабной экономической деятельности с учётом конкурентных условий сегодняшнего дня. Таким образом, комплекс уникальных климатических, природных условий, запасов природных ресурсов, ресурсов флоры и фауны, довольно развитой инфраструктуры для такого типа местности, увеличивающийся потенциал производственных мощностей,





развитие сельского, лесного и рыбного типов хозяйств, относительная дешевизна продукции даёт хороший потенциал для вложения в Республику Каракалпакстан с точки зрения преимуществ экономических расчётов с учётом наименьших рисков.

### Список использованной литературы:

1. Инвестируйте в Каракалпакстан: все преимущества региона в одном справочнике - <https://www.uz.undp.org>
2. Яруллин Р.Р., Галимова Г.А. Теоретические основы финансового потенциала региона //Современные проблемы науки и образования. - 2011. - №6.
3. Мусагалиев А. Ж. ББК: 65.05 М-89. – 2020.
4. Инвестируйте в Республику Каракалпакстан. Справочник - <https://yadi.sk/d/EV5n2wqh3XjWXA>
5. Jumagulovich M. A. et al. Forecast Guidelines for Investments in The Republic of KARAKALPAKSTAN //International Journal of Religion. – 2024. – Т. 5. – №. 2. – С. 493-501.
6. С какими странами больше всего торговала Республика Каракалпакстан. - <https://review.uz>
7. Musagaliev A. J. et al. Current Status Of Implementation Of Tax Obligations In The Republic Of Karakalpakstan And Issues Of Increasing Tax Collection //International Journal of Academic Accounting, Finance & Management Research (IJAAFMR). – 2021. – Т. 3. - №. 3. – С. 1-9.
8. Jumagulovich M. A. et al. Procedure for Implementing Tax Control in Tax Risk Management and Tax Audits //Partners Universal International Innovation Journal. – 2024. – Т. 2. – №. 1. – С. 76-83.
9. Японская компания расширит проект по переработке солодкового корня в Республике Каракалпакстан. - <https://www.uzdaily.uz>
10. Jumagulovich M. A., Askarovna M. S. AHOLI BANDLIGINI TA'MINLASHDA HUNARMANDCHILIKNI RIVOJLANTIRISHNING IQTISODIY AHAMIYATI //"Conference on Universal Science Research 2023". – 2024. – Т. 2. – №. 1. – С. 55-58.
11. Отабек Ганиевич Набижонов, Зоҳиджон Раббимқул Ўғли Хужамқулов, and Ф. Б. Шакирова. "ИННОВАЦИЯЛАР НЕГИЗИДА

БАРҚАРОР ИҚТИСОДИЙ ЎСИШНИ ТАЪМИНЛАШНИНГ НАЗАРИЙ  
ЖИҲАТЛАРИ" Central Asian Academic Journal of Scientific Research, vol. 2, no.  
4, 2022, pp. 326-334.

12. Shavkatova , S. ., & Nabijonov , O. . (2022). INNOVATSIYA  
FAOLIYATINING ANAMIYATI. Евразийский журнал права, финансов и  
прикладных наук, 2(11), 4–7. извлечено от [https://in-  
academy.uz/index.php/EJLFAS/article/view/4088](https://in-academy.uz/index.php/EJLFAS/article/view/4088)

13. Отабек Ганиевич Набижонов, Зоҳиджон Раббимқул Ўғли  
Хужамқулов, and Ф. Б. Шакирова. "ИННОВАЦИЈАЛАР НЕГИЗИДА  
БАРҚАРОР ИҚТИСОДИЙ ЎСИШНИ ТАЪМИНЛАШНИНГ НАЗАРИЙ  
ЖИҲАТЛАРИ" Central Asian Academic Journal of Scientific Research, vol. 2, no.  
4, 2022, pp. 326-334.

14. Nabijonov Otabek Ganiyevich (2021). IQTISODIYOTDA  
RAQOVATBARDOSHLIKNI OSHIRISHNING NAZARIY ASOSLARI.  
Scientific progress, 1 (3), 136-139.

15. Ugli, A. S. O., Ganiyevich, N. O., Ugli, Y. S. Z., & Ugli, K. R. A.  
(2021). About how cheap (actually very expensive) loans may not enrich the  
poor. ACADEMICIA: An International Multidisciplinary Research Journal, 11(10),  
2191-2193.

---

# Research Science and Innovation House



## STUDY OF TECHNOLOGICAL PROCESSES OF DWARF LOOM LOOMS

**Khurshidbek Imomnazarov**

Assistant, Department of Natural Fiber, Fergana Polytechnic Institute, Fergana,  
Uzbekistan

**Anvarjonov Davlatbek Abrorjon oqli**

Student, Fergana Polytechnic Institute, Fergana, Uzbekistan

**Yusufjonov Izzatillo Gayratjon oqli**

Student, Fergana Polytechnic Institute, Fergana, Uzbekistan

**Abstract:** Information is given about the technological processes and the role of the looms in production.

**Keywords:** Dwarf shuttlecock, many dwarf shuttlecocks

Measures for the development of the textile industry are continuously being implemented in our Republic. Currently, the number of fully automated, computerized, modern textile state, joint, small and private enterprises is increasing day by day, and all fabrics are produced from them.

The first dwarf shuttle loom was created in 1927 by the German textile engineer Rudolph Rossmann, and the first dwarf shuttle loom was created in 1953 by Sulzer brothers (Switzerland). 1955 "International Exhibition of Textile Machinery" (HTMK) held in Brussels (Belgium) under the name of Sulzer, a loom with a width of 216 cm and a warp speed of 280 arc/min (600 m/min) showed his machine to the general public. Later, the loom was developed, and the first weaving loom with a width of 540 cm, a 6-color mechanism, a warp speed of 800 m/min, which was considered the main scientific and technical achievement of 1969, was created. done. Later, small shuttle machines with a length of 185-540 cm and a maximum speed of 470 rpm began to be widely produced. In addition to simple, complex, jacquard weaves, looped fabrics were also produced in the workshops. The machine tools were able to process blown and filament yarns of 6.4-200 tex, 10.8-5000 denier [1].

Throwing a dwarf shuttlecock is divided into two:

- 1) A single dwarf satellite.
- 2) Many dwarf satellites.

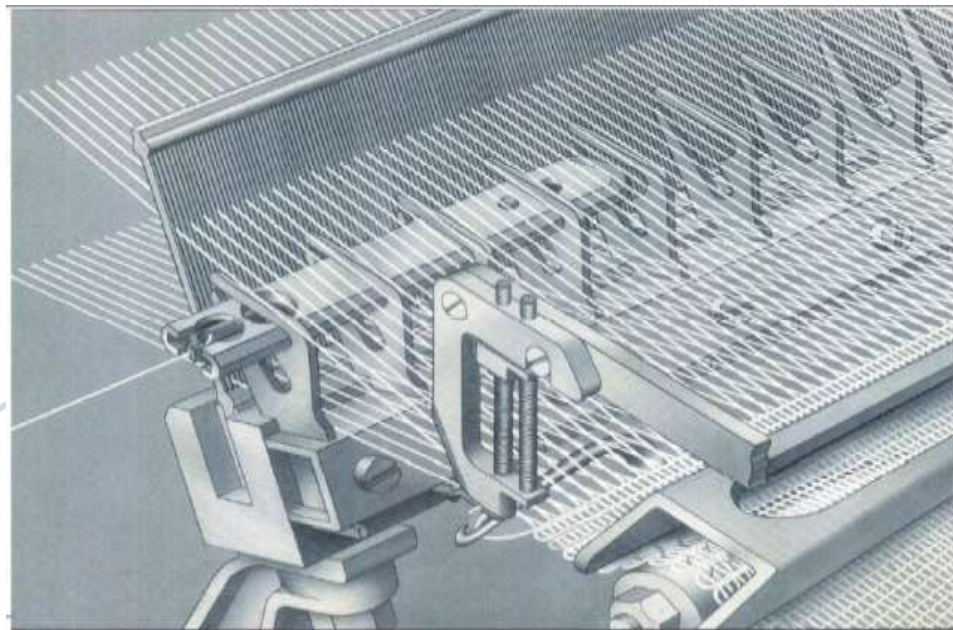


Figure 1. The Dwarf shuttle enters the Khomuz

Today, it is possible to work at a speed of up to 1540 m/min in the required working width without any additional modifications.

The high warping speed was achieved by the following factors:

- the friction force is reduced due to the use of new guide teeth;
- redesign of the accelerator system;
- reduction of thread tension even at high speeds due to the use of a new humza structure;
- making a dwarf shuttle made of reinforced carbon fiber synthetic material (for thin threads) [2].

However, the initial high speed imparted to the dwarf shuttle causes the rope tension to increase.

At present, it is possible to process any cotton, wool, silk, mono or filament threads, polypropylene, polyester and even linen threads on small-sized looms. This is due to the fact that all types of threads, whether thin or thick, are firmly held with the help of a clamp and reliably thrown to the hummus through a small shuttle (Fig. 2).





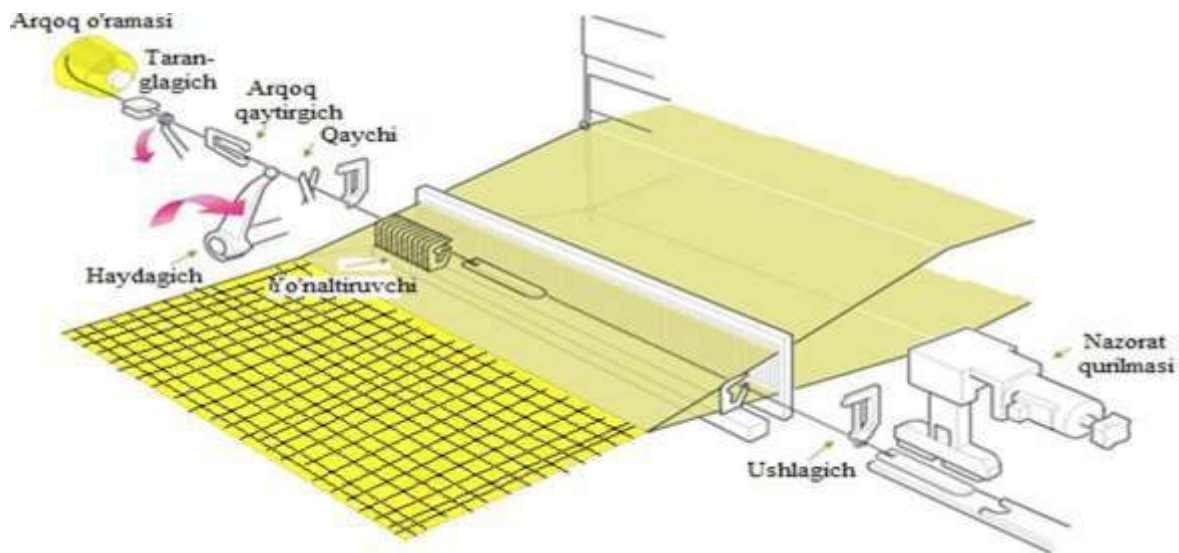


Figure 2 Technological drawing of a dwarf shuttle

As shown in Fig. 2, the twine yarn is thrown from only one side of the loom in the dwarf shuttle throwing method. Therefore, the main parts of the thread throwing mechanism are located on the left side of the machine.

The rope thread is unmoved or twisted from the coil rotating around its axis and passes through the hole in the screen wall, through the brake. Then it comes to the compensator through the diverter hole [3].

The function of the compensator is to serve the machine to change the tension of the rope thread in different cycles of the rotation angle of the main shaft. The rope thread passes through the compensator and comes to the clamp of the rope returner through the second guide. At this time, the empty thrower on the conveyor goes to the path of the chaser in the punching mechanism of the machine with the help of a lifter, and the end of the rope thread goes from the returner to the thrower. To do this, the rope thrower clamp is opened, that is, the end of the rope thread passes from the returner to the rope thrower.

### Conclusion

Today, looking at the world's textile industry, more than 80 million looms are used (2023 according to the information of "Textile Center"). However, since the machine is the only machine capable of producing several canvases at the same time, it can be noted that the prices of its production and service are relatively high.



Therefore, the formation of a shuttle mechanism in a small shuttle loom leads to the production of quality fabric and an increase in service life.

**References:**

1. Siddiqov P.S. To'qimachilik mahsulotlari texnologiyasi va jihozlari. Darslik -T.: Fan va texnologiya. 2013 . - 285 b.
2. Мартынова, Анна Архиповна. Строение и проектирование тканей: Учебник для студентов ВУЗов/ М.:Изд-во МГТУ, 1999. - 434 с.
3. Shohida, K., & Khurshidbek, I. (2022). Investigation of ways to increase the speed of the raw material roller on the ginning equipment. Universum: технические науки, (2-7 (95)), 40-42. [3].



---

Research Science and  
Innovation House



## 2SB-10 IMPROVED DRYING EFFICIENCY BY IMPROVING THE INTERIOR OF THE DRYING DRUM

**Khurshidbek Imomnazarov**

Assistant, Department of Natural Fiber, Fergana Polytechnic Institute,  
Fergana, Uzbekistan

**Nozimakhon Mukhsinova**

Student, Fergana Polytechnic Institute, Fergana, Uzbekistan

**Khusnorakhan Saidazimova**

Student, Fergana Polytechnic Institute, Fergana, Uzbekistan

**Abstract:** In cotton ginning enterprises, 2SB-10 drying drum is mainly used for drying seeded cotton. By changing the inner part of the 2SB-10 drying drum, the seeded cotton can be more tightly packed and the seeded cotton drying efficiency is increased.

**Keywords:** 2SB-10 drying drum, shovels, IICH-1.9, TG-1.5, SBO, SBT, pneumatic supply, electric motor, reducer, screw conveyor, VVD-8 fan.

Cotton drying equipment is designed for drying cotton with a moisture content higher than that specified in UzRST 615:2008. It is advisable to dry cotton in drum-type drying equipment. Drying equipment is installed at cotton receiving points for long-term storage of cotton before ginning and at cotton ginning plants for drying in preparation for receiving finished products from cotton [1].

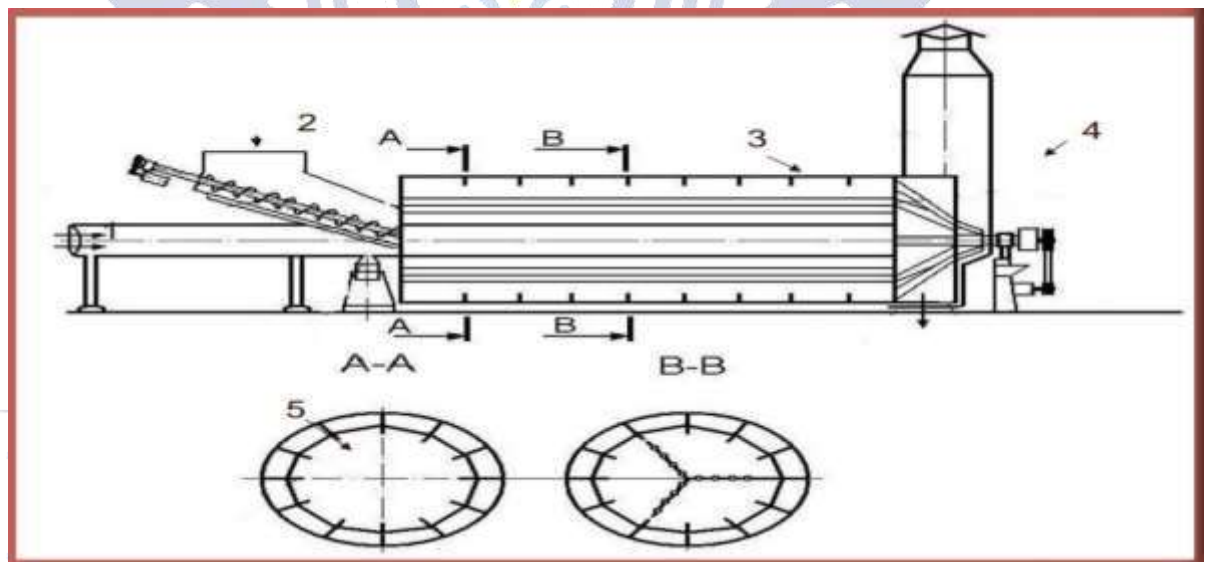
Currently, drying drums of 2SB-10, SBT and SBO types are provided for drying seeded cotton in cotton mills and drying-cleaning departments and cleaning departments in cotton ginning enterprises. To ensure continuous operation of these drying drums, they are equipped with heat supply, transport device and supply systems. Seed cotton is fed into the drying drum together with heat (drying agent) using a feeder. Due to the rotation of the drum, the seed cotton rises to a certain height and is dried due to mixing with the drying agent as a result of falling. The used drying agent goes out through the transmission shaft [2].

Heat can affect wet cotton in three ways:

- a) Due to the process of mixing with hot air during the spilling of seed cotton from drum shovels;
- b) Due to the effect of heat on wet cotton falling between the shovels and on the shovels through the outer surface of the shovels;
- c) Due to the transfer of the heated parts of the drum and the heat of the drum to the seeded cotton.

The main working parts of the 2SB-10 drying drum are a pneumatic supply, a hot air transfer pipe, a guide surface, a drying drum, shovels, a used air exhaust shaft, a cotton discharge chute with dried seeds, an electric motor, a reducer and supports [3].

In recent years, TG-1.5 and ICh-1.9 heat generators have been used for drying cotton efficiently. By improving the drying drum 2SB-10, compared to the currently used form, the amount of screening and drying of large-seeded cotton will increase by a certain amount. The 2SB-10 drying drum has 12 blades, which are located inside the outer part of the drying drum with a diameter of 3200 mm and a height of 500 mm.



**Figure 1. 2SB-10 Scheme of the drying drum [3].**

Cylindrical piles 200 mm long are installed on the shovels of this drying drum. This ensures that more warm air reaches the seeded cotton than before due to the



increase in the degree of creasing, and it is the basis for the additional 2-3% moisture reduction in the seeded cotton.

### Conclusions

In conclusion, it should be said that the difference of our proposed 2SB-10 drying drum with modified internal shovels from the current design is that compared to the current 2SB-10 drying drum, the seeded cotton is more crushed and dried. efficiency is 2-3% higher. This makes it possible to increase the efficiency of seed cotton drying without changing the amount of heat supplied.

### References

1. A.X. Kayumov. Repair of technological machines. Study guide for vocational colleges. Tashkent "ECONOMY-FINANCE" 2013, page 266.
2. M.A. Babadjonov, A.P. Parpiyev, M.T. Tillayev. Technology and equipment of primary processing of cotton" Textbook. Tashkent-2013, pp. 103-105-106.
3. Shahida, K., & Khurshidbek, I. (2022). Investigation of ways to increase the speed of the raw material roller on the ginning equipment. *Universum: technical science*, (2-7 (95)), 40-42.

---

# Research Science and Innovation House

## INCREASING DRYING EFFICIENCY BY IMPROVING THE INTERIOR OF THE SBO DRYER DRUM.

**Khurshidbek Imomnazarov**

Assistant, Department of Natural Fiber, Fergana Polytechnic Institute,  
Fergana, Uzbekistan

**Mehrinisa Olimjonova**

Student, Fergana Polytechnic Institute, Fergana, Uzbekistan

**Sarvarbek Kholmatov**

Student, Fergana Polytechnic Institute, Fergana, Uzbekistan

**Abstract:** In cotton ginning enterprises, SBO drying drum is mainly used to dry seeded cotton. By changing the inner part of the SBO drying drum, the seeded cotton can be fed more easily and the seeded cotton drying efficiency is increased.

**Keywords:** 2SB-10 drying drum, shovels, IICH-1.9, TG-1.5, SBO, pneumatic supply, electric motor, reducer, screw conveyor, VVD-8 fan.

Cotton drying equipment is designed for drying cotton with a moisture content higher than that specified in UzRST 615:2008. It is advisable to dry cotton in drum-type drying equipment. Drying equipment is installed at cotton receiving points for long-term storage of cotton before ginning and at cotton ginning plants for drying in preparation for receiving finished products from cotton [1].

At cotton mills and drying-cleaning departments and cleaning departments at cotton ginning plants, for drying seeded cotton, 2SB-10 and SBO type drying drums are currently provided. To ensure continuous operation of these drying drums, they are equipped with heat supply, transport device and supply systems. Seed cotton is fed into the drying drum together with heat (drying agent) using a feeder. Due to the rotation of the drum, the seed cotton rises to a certain height and is dried due to mixing with the drying agent as a result of its fall. The used drying agent goes out through the transmission shaft [2].

In order to use drying drums economically and rationally, it is necessary to control the temperature, size, and humidity of seed cotton. In addition, the degree of contamination of seed cotton, the amount of dried seed cotton together with



impurities is also controlled. The operation of the SBO drum dryer is similar to the operation of the 2SB-10 drum dryer, but since the 2SB-10 does not have a cleaning section, it does not remove small impurities from seed cotton during the drying process.

Heat can affect wet cotton in three ways:

- a) Due to the process of mixing with hot air during the spilling of seed cotton from drum shovels;
- b) Due to the effect of heat on wet cotton falling between the shovels and on the shovels through the outer surface of the shovels;
- c) Due to the transfer of the heated parts of the drum and the heat of the drum to the seeded cotton.

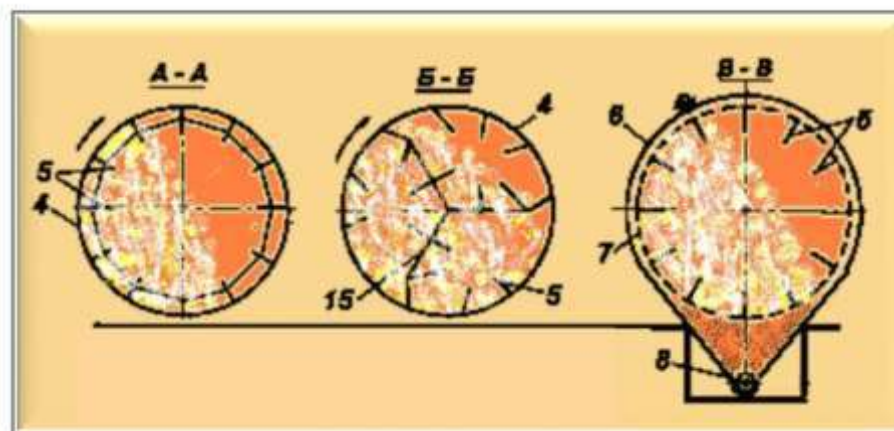


Figure 1 Cross-sectional view of the SBO drying drum

The main working parts of SBO drying drum are pneumatic supply, cleaning section, mesh surface, hot air transfer pipe, guiding surface, drying drum, shovels, used air outlet shaft, dried seed cotton discharge chute, electric motor, reducer and supports. is [3].

In recent years, TG-1.5 and ICh-1.9 heat generators have been used for drying cotton efficiently. By improving the SBO drying drum, compared to the currently used form, the amount of priming and drying of cotton with a large seed will be increased by a certain amount. The SBO drying drum has 12 blades, which are located inside the edge of the drying drum with a diameter of 3200 mm and a height of 500 mm. Cylindrical piles of 200 mm length are installed on the blades of this



drying drum. This ensures that more warm air reaches the seeded cotton than before due to the increase in the degree of creasing, and it is the basis for the additional 2-3% moisture reduction in the seeded cotton.

### **Conclusion:**

In conclusion, it should be said that the difference of the SBO drying drum with modified internal shovels from the one currently in use is that compared to the current SBO drying drum, the seeded cotton is more crushed and the drying efficiency is 2-3 will be higher by %. This makes it possible to increase the efficiency of seed cotton drying without changing the amount of heat supplied.

### **References**

1. A.X. Kayumov. Repair of technological machines. Study guide for vocational colleges. Tashkent "ECONOMY-FINANCE" 2013, page 266.
2. M.A. Babadjonov, A.P. Parpiyev, M.T. Tillayev. Technology and equipment of primary processing of cotton" Textbook. Tashkent-2013, pp. 103-105-106.
3. Shahida, K., & Khurshidbek, I. (2022). Investigation of ways to increase the speed of the raw material roller on the ginning equipment. *Universum: technical science*, (2-7 (95)), 40-42.

---

# Research Science and Innovation House



## NOTIPAVIY QOMATLARGA MOS KIIYIMLARNING SIFATINI OSHIRISHGA QARATILGAN MAVJUD ILMIY VA AMALIY ADABIYOTLARLAR TAHLILI

**G‘afurov Jaxongir Kabulovich**

t.f.d., prof., “To‘qimachilik sanoati” kafedrası, Jizzax politexnika instituti, Jizzax,  
O‘zbekiston

E-mail: [jgafurov@mail.ru](mailto:jgafurov@mail.ru)

**Abduraximova Manzura Sodiqovna**

“Yengil sanoat buyumlari texnologiyasi” kafedrası tayanch doktoranti, Farg‘ona  
politexnika instituti, Farg‘ona, O‘zbekiston

E-mail: [manzuraabduraximova5@gmail.com](mailto:manzuraabduraximova5@gmail.com)

### **Annotasiya**

Ushbu maqolada tipaviy va notipaviy qomatlarning farqlanishi, notipaviy qomatlarga kiyim konstruksiyalashning dastlabki ma‘lumotlari, chet el olimlarining kiyimlarni loyihalash jarayonini avtomatlashtirish bo‘yicha ilmiy-tadqiqot ishlari, to‘la qomatli ayollarning mavjud qomat tipologiyalarini qiyosiy tahlillari asnosida notipaviy qomatlarga mos kiyimlarning sifatini oshirishga qaratilgan mavjud ilmiy va amaliy adabiyotlar tahlil natijalari o‘rganilgan.

**Tayanch so‘zlar:** tipaviy, notipaviy, qomat turlari, ishlab chiqarish, ommaviy, yetarlicha, lardozi, kifoz, bukchaygan, kekaygan, past yelkali, baland yelkali, to‘la qomatli, kiyim-kechak, konstruksiya, o‘zgarishlar, takomillashtirish, tahlil, o‘lcham va h. k.

### **Kirish**

Jahon mamlakatlari o‘rtasida tikuvchilik buyumlarini ishlab chiqarishda avtomatlashtirilgan yangi texnologiyalarni qo‘llash orqali sifatini oshirishga katta e‘tibor berilmoqda. Rivojlangan mamlakatlarda, jumladan Xitoy, AQSH, Yaponiya, Germaniya, Italiya kabi bir qator mamlakatlarda tikuvchilik mahsulotlarini loyihalash va ishlab chiqarishni rivojlantirish, texnologik jarayonlarni boshqarish uslublarini takomillashtirish bo‘yicha yetarlicha muvaffaqiyatlarga erishilgan. Shu jihati bilan ular tikuv buyumlari raqobatbardoshligini ta‘minlovchi muhim

omillaridan biri bo‘lib hisoblangan yuqori samarali texnologiyalar bozorida liderlik pozitsiyasini ushlab turadi.

Prezidentimizning 2022 yil 21-yanvardagi PF-53-son «To‘qimachilik va tikuv-trikotaj korxonalarida chuqur qayta ishlash va yuqori qo‘shilgan qiymatli tayyor mahsulotlar ishlab chiqarishni hamda ularning eksportini rag‘batlantirish chora-tadbirlari to‘g‘risida»gi Farmoni hamda mazkur faoliyatga tegishli boshqa me'yoriy-huquqiy hujjatlarda belgilangan vazifalarni amalga oshirishga qaratilgan ishlar jadal suratlarda o‘zib bormoqda [1,15].

### Asosiy qism

Hozirgi kunda yengil sanoat korxonalarida ishlab chiqarilayotgan kiyimlar faqat tipaviy qomatlargagina ishlab chiqiladi, biroq ayollar va erkaklar o‘rtasida tipaviydan og‘ishgan notipaviy qomat turlari ya’ni (bukchaygan, kekkaygan, past yelkali va baland yelkali) insonlar ko‘payib bormoqda. Bunday qomatlarni ko‘payishining asosiy sabablari yoshlikdan noto‘g‘ri o‘tirish, kasbiy faoliyat va noto‘g‘ri ovqatlanish oqibatida yuzaga kelmoqda. Tipaviy qomatlar uchun ishlab chiqarilayotgan kiyimlarning hammasi ham notipaviy qomat turlariga mos kelmasligi mumkin.

Masalan, kiyimning orqa bo‘lagining o‘rta, yon qismlarida solqilarning hosil bo‘lishi, orqa bo‘lakning old bo‘lakka nisbatan kaltaroq turishi yoki old bo‘lakning orqa bo‘lakka nisbatan ko‘tarilishi asosiy dolzarb muammoni yuzaga kelishini bildiradi [2,14].

Bu dolzarb muammoni chet el va yurtimiz olimlari tomonidan o‘rganilganlik darajalari bo‘yicha bir qancha tahlillar o‘rganildi. Quyida ular haqida ma’lumot keltirildi.

Odam qomati (andom) tushunchasi. Qomat, boshqa morfologik belgilar kabi ma’lum darajada odam gavdasi tashqi shakllarining xususiyatlarini belgilaydi. Shuning uchun qomatni o‘rganish antropologlar va shifokorlar, shuningdek, tikuvchilik ishlab chiqarish mutaxassisleri uchun muhim ahamiyatga ega [3].

Har bir qomat umurtqa va tananing ma’lum bir shakli, bosh va qo‘l-oyoqning holati bilan xarakterlanadi. Qomatni xarakterlovchi asosiy belgilar umurtqa va tana shakli hisoblanadi. Tipaviy va notipaviy qomat turlarining farqlanishi bo‘yicha aniqlangan ma’lumotlar:





1) L. P. Nikolayevning qomatni tasniflab bergan taklifi tikuvchilik sanoatida ko‘proq qiziqish uyg‘otdi. Bunga ko‘ra, u qomatni beshta turga bo‘ladi: normal, to‘g‘ri, bukchaygan, lordoz va kifoz [4,16].

2) A. P. Nikolayevning ma‘lumotlariga ko‘ra, bunday qomatlar ko‘proq qariyalarda uchraydi. Bukchaygan qomat bo‘yin lordozining oldinga ko‘proq egilganligi va bel lordozining kamayganligi (orqa dumaloq shaklda bo‘ladi) bilan ajralib turadi.

- Lordotik qomat bel lordozining kuchli va bo‘yin lordozining kuchsiz rivojlanganligi bilan xarakterlanadi.

- Kifotik qomat ko‘krak kifozining keskin kuchayib ketishi bilan xarakterlanishini aniqlagan [5].

3) Polshalik tadqiqotchi N. Volyanskiy tasnifiga ko‘ra, qomat uchta guruhga va bu guruhlar o‘z navbatida uchtadan turga bo‘linadi.

Birinchi guruh, kifotik (K), ko‘krak kifozining bel lordoziga nisbatan ko‘p egilganligi bilan xarakterlanadi. Bunda bo‘yin nuqtasidan pastga o‘tkazilgan vertikal chiziq lordotik nuqtaning oldidan o‘tadi. Lordotik nuqta bel lordozining eng ichkari qismida joylashgan bo‘ladi. Ko‘krak kifozining bel lordozidan ustunlik qilishi kichik, o‘rta va katta bo‘lishi natijasida uch xil kifotik qomat turlari ( $K_p$ ,  $K_n$ , va  $K_m$ ) farqlagan [6].

4) B. S. Sokulin notipoviy erkaklar qomatidan yakka tartibda qo‘shimcha o‘lchamlar olish, konstruktiv qo‘shimchalar kiritish va ularga kiyim konstruksiya chizmalarini modifikasiyalash ustida tadqiqotlar olib borgan [7,18].

5) P. I. Rogov qomatning tashqi formasini asosiy morfologik ko‘rsatkichlari, qomatning risoligi va klassifikatsiyasi, ayollar qomati tipining SOTShL antropomorfologik klassifikatsiyasi, belli buyumlarni loyihalash uchun o‘lchamlar sxemasini tuzish, ayollar qomatini yakka tartibda asosiy o‘zgaruvchanligi ustida tadqiqotlar olib borgan [8,17].

6) Piryazeva Tatyana Vasilievna - “Yelkali kiyimlarni notipaviy qomatlarga loyihalashni avtomatlashtirish” mavzusi bo‘yicha dissertatsiya ishning ilmiy yangiligi elkali kiyimlarni loyihalash va kompyuterlardan foydalangan holda notipaviy qomatlarga kiyimlarni mislsiz loyihalash texnologiyasini ishlab chiqish uchun eng muhim ahamiyatga ega bo‘lgan notipaviy qomatli ayollarning jismoniy xususiyatlarining antropomorfologik xususiyatlarini aniqlash, tasniflash va kodlashdan iborat bo‘lgan [9].

7) Ovsepyan Ganna Samvelovna - “To‘la qomatli ayollar kiyimlari dizaynining xususiyatlarini ishlab chiqish” mavzusi bo‘yicha dissertatsiya ishida-hozirgi vaqtda bozor raqobati sharoitida yengil sanoat mahsulotlarining barqaror sifatini (shu jumladan estetik xususiyatlarini) ta‘minlash masalalari alohida ahamiyat kasb etmoqda. Amaliyot shuni ko‘rsatadiki, odatiy standartdan farq qiladigan nostandart shakllar uchun kiyimlarni loyihalashda, xususan, to‘la qomatda, estetika masalalari eng ustuvor hisoblanadi. Turli xil dizayn texnikalarining ko‘pligi bilan to‘la qomatda moda kiyimlarini yaratish sohasi yetarlicha o‘rganilmagan. Qoida tariqasida, loyihalashtirilgan mahsulotlar funksionalligi bilan ajralib turadi, ammo zamonaviylikning estetik talablariga javob bermaydi va moda tendentsiyalarining tabiatini aks ettirmaydi. Moda olamidagi so‘nggi yangiliklarni va iste'molchilar qomatlarining nostandart xususiyatlarini bir vaqtning o‘zida hisobga olishga imkon beradigan usullar mavjud emas. Ushbu masalalari yetarlicha o‘rganilmaganligini inobatga olib, maqsadga erishish uchun ishda bir-biriga bog‘liq bo‘lgan bir qator vazifalar hal qilinadi, ularning asosiylari: - to‘la qomatli ayol figurasining asosiy turlarini aniqlash uchun mavjud shakl tipologiyalarini qiyosiy tahlil qilingan;

-to‘la qomat uchun moda kostyumining shakllantiruvchi xususiyatlarini o‘rganish metodologiyasini ishlab chiqilgan;

-to‘la qomatlar uchun modani shakllantirish va rivojlantirish jarayonlarini o‘rganish va standart va to‘la qomatlar uchun modani qiyosiy tahlil qilingan;

- kostyumni moda va to‘la qomatni o‘rganish natijalariga ko‘ra kiyimning asosiy xususiyatlari va parametrlarining tarkibiy tasnifini olingan [10].

8) I. A. Redchenko -“Ideal, tipavoy va notipaviy qomat tushunchasi va biosotsial belgilar haqida”gi-maqolasida tana turi va fe'l-atvori, ijtimoiy xulq-atvori o‘rtasida bog‘liqlik . Har bir inson tana turi bilan ajralib turadi, bu bu uning uslubi, rangi va kiyim shaklini belgilaydigan asosiy omillardan biridir. Maqolada quyidagilar aniqlangan ideal, tipaviy va notipaviy qomatlarining asosiy tushunchalari va ularning biosotsial belgilari haqidagi ma‘lumotlar [11].

9) Vinichenko I. B.,Lashina I. B. - “Katta o‘lchamli va to‘la ayollar uchun bashing kiyimlar”-maqolada ilmiy va amaliy ishlarning natijalari muhokama qilinadi to‘la qomatli va noyipaviy qomatli ayollar kiyimlar uchun kiyimlarni modellashtirish jarayonini takomillashtirish, kiyim dizaynini ishlab chiqish bo‘yicha tavsiyalar berilgan [12].





10) Lashina Irina Valentinovna –“Notipaviy qomatli ayollarning ustki kiyimlarini kompyuter yordamida loyihalash uchun dastlabki ma’lumotlarni ishlab chiqish” mavzusi bo’yicha dissertatsiya ishida - tikuvchilik sanoatining texnik va iqtisodiy rivojlanishining asosiy yo’nalishi ishlab chiqarishni ko’paytirish, assortimentni kengaytirish va iste’mol tovarlari sifatini oshirish zarurati bo’lib, ushbu vazifalarni bajarish tikuvchilik ishlab chiqarishni kompleks avtomatlashtirish, tashkiliy moslashuvchanlikni oshirish va kompyuter texnologiyalaridan foydalanish asosida takomillashtirish bilan bog’liq. Aholining ehtiyojlarini qondirish jarayoni hozirgi vaqtda uni har xil turdagi korxonalarda ishlab chiqarish orqali amalga oshirilishi, ommaviy ishlab chiqarish, individual buyurtmalar bo’yicha ishlab chiqarish, kichik va qo’shma korxonalarda kiyim-kechak ishlab chiqarish ommaviy tipaviy qomat uchungina emas, balki notipaviy qomatli ayollar uchun ham ishlab chiqarilishi bo’yicha tahlillar olib borgan [13].

11) Shershneva L. P. “Tipaviy va notipaviy qomatlar uchun ayollar kiyimlarini loyihalash” -kitobda aholining yangi o’lchovli tipologiyasi va tana hajmi va shaklining odatdagi qomatlardan mumkin bo’lgan og’ishlari bilan tanishtiradi; kiyim detallari chizmalarini ham tipaviy, ham notipaviy shakllarda chizishning turli usullari va printsiplari bilan tanishtirgan [14].

12) D. O. Aripdjanova “Turli qomatlarga kiyimlarni konstruksiyalash “-kitobda tipaviydan farq qiluvchi qomatlarga kiyimlarni loyihalash, notipaviy qomatlarga kiyim konstruksiyalashda dastlabki ma’lumotlarni aniqlash, qomatga bog’liq kiyim konstruktiv parametrlarining o’zgarishi, kiyim bazali asosini qomat o’zgarishiga qarab modifikasiyalash haqidagi ma’lumotlar yoritilgan [15].

13) G. K. Volevich “To’la ayollar uchun kiyimlar”-kitobida muallif to’la qomatli ayollar uchun turli modellarning konstruksiyasini qurish bo’yicha ma’lumotlarning hisob formulalari va loyiha chizmalari asosida yoritgan [16].

Ushbu ishlarda turli notipaviy qomatlarning tahlili va ishlab chiqarilayotgan kiyimlarning faqat tipaviy qomat uchun emas balki notipaviy qomat turlari uchun ham ishlab chiqarilishiga tizimli yondoshilganligini kuzatish mumkin.

Shu bilan bir qatorda, notipaviy qomatlar uchun yangi zamonaviy, qulay va qomat kamchiliklarini yashirib turuvchi kiyim turlarini yangi modellarini ishlab chiqarish uchun yangi tadqiqotlar bilan to’ldirish talab qilinadi.

## Xulosa

Yuqorida o‘rganilgan tahlillarga tayangan holda tipaviy va notipaviy qomatlarining farqlanishi, notipaviy qomatlarga kiyim konstruksiyalashning dastlabki ma’lumotlari, chet el institutlarida kiyimlarni loyihalash jarayonini avtomatlashtirish tizimlarining yangi usullari bo‘yicha ilmiy-tadqiqot ishlari olib borilishi, to‘la qomatli ayollarning mavjud qomat tipologiyalarini qiyosiy tahlilari, notipaviy qomatlar uchun dolzarb mavzularni tadqiq qilish orqali ushbu qomat turlariga mos kiyimlarning sifatini oshirishga qaratilgan mavjud ilmiy va amaliy adabiyotlar tahlil natijalari o‘rganilishi nazarda tutilgan.

## Adabiyotlar ro‘yhati

1. O‘zbekiston Respublikasi Prezidentining 2022 yil 21-yanvardagi PF-53-son “To‘qimachilik va tikuv-trikotaj korxonalarida chuqur qayta ishlash va yuqori qo‘shilgan qiymatli tayyor mahsulotlar ishlab chiqarishni hamda ularning eksportini rag‘batlantirish chora-tadbirlari to‘g‘risida”gi Farmoni.
2. D. U. Aripdjanova Turli qomatlarga kiyimlarni konstruksiyalash. O‘quv qo‘llanma. Namangan-2021 yil. -184 bet.
3. Б. С. Сакулин., Э. К. Амирова., О. В. Сакулина., А. Т. Труханова “Конструирование мужской и женской одежды”. Учебник. Москва-2000. – С. 188.
4. Дунаевская Т. Н., Коблякова Е. Б., Ивлева Г. С. “Размерная типология населения с основами анатомии и морфологии человека”. М., 1980 г.
5. Maxmudjon, T., & Manzura, A. (2022). Use of nonwoven materials in the production of sewing items. *Journal of Academic Research and Trends in Educational Sciences*, 1(12), 406-411.
6. Piryazeva Tatyana Vasilievna - “Yelkali kiyimlarni notipaviy qomatlarga loyihalashni avtomatlashtirish” mavzusida dissertatsiya. Moskva 1999 y.
7. Ovsepyan Ganna Samvelovna - “To‘la qomatli ayollar kiyimlari dizaynining xususiyatlarini ishlab chiqish” mavzusi dissertatsiya. Moskva 2011y.
8. I. A. Redchenko -“Ideal, tipavoy va notipaviy qomat tushunchasi va biosotsial belgilar haqida”gi-maqola 2015y.



9. Vinichenko I. B., Lashina I. B. - “Katta o‘lchamli va to‘la ayollar uchun bashing kiyimlar”-maqola.
10. Lashina Irina Valentinovna –“Notipaviy qomatli ayollarning ustki kiyimlarini kompyuter yordamida loyihalash uchun dastlabki ma’lumotlarni ishlab chiqish” mavzusi dissertatsiya. Moskva 1992 y.
11. Shershneva L. P. “Tipaviy va notipaviy qomatlar uchun ayollar kiyimlarini loyihalash” -nashriyot: yengil sanoat : 1980 y.
12. D. O‘. Aripjanova “Turli qomatlarga kiyimlarni konstruksiyalash”-Toshkent 2020y.
13. G. K. Volevich “To‘la ayollar uchun kiyimlar”. Polimya -1995 y.
14. Sodiqovna, A. M., & Abduqodirovna, B. R. N. (2022). Notipaviy qomatli ayollarning o‘lchamlari va tana turlarining farqlanishi. Science and innovation, 1(A3), 284-288.
15. Maxmudjon, T., & Abdurakhimova, M. (2022). The methods of welding details of sewing items from thermoplastic materials. International Journal of Advance Scientific Research, 2(12), 125-132.
16. Sodiqovna, A. M., Abdurashidovna, E. R., & Uktamovna, A. D. Study of female abnormal body types and their analysis. JournalNX, 7(06), 333-335.
17. Sadiqovna, A. M. (2022). Determining the Type of Clothing Suitable for Women With An Non Typical Figure. Texas Journal of Engineering and Technology, 10, 22-26.
18. D. B. Yuldasheva., M. M. Raxmonova., R. Omonullayev., “Notipavoy qo mat uchun konstruksiyalashning o‘ziga xos xususiyatlari”. Scientific-technical journal (STJ FerPI, ФapПИ ИТЖ, НТЖ ФерПИ, 2022, спец. выпуск №6).

## FUNGAL DISEASE OF VINE AND CHEMICAL AGAINST IT EFFECTIVE WAYS TO FIGHT WITH SUBSTANCES

<sup>1</sup>Kadyrov Hakimjon Iskandarzoda, <sup>2</sup>Zakhidov Qosim Akilovich,  
<sup>2</sup>Orzujonova Mohila Orzujon qizi, <sup>3</sup>Saitkulov Foziljon Ergashevich, Xudayrov  
Maxmasaid Maxmarajabovich

<sup>1</sup>Student of the Faculty of Natural Sciences of the Uzbekistan-Finland  
Pedagogical Institute

<sup>2</sup>Samarkand state universitet

<sup>3</sup>Tashkent State Agrarian University

**Annation:** The article shows the reasons for the development of the Mildew disease, its entry into the cell of the plant through the leaf openings, and the chemical ways of preventing it.

**Key words:** Mildew diseases, bordeaux liquid, crude, kurzat, rhidomin, leaves grow, develop macroconidia.

### INTRODUCTION

Mildew disease to Europe from America and was first detected in France in 1852. This disease is widespread in America, Europe, and regions beyond the Caucasus, a lot of rain spread to the vineyards of our republic in 2009-2010 and caused great economic damage to viticulture. Mildew disease is spread by *Plasmopora viticola*, a microscopic fungus, and during the growth period of the vine, it damages all the blue organs - branches, leaves, inflorescences, grape clusters, even buds [Fig-1].

Research Science and  
Innovation House







**Fig-1.**

In early spring, when it rains chronically and the temperature rises above  $8^{\circ}\text{C}$ , oospores that have overwintered on last year's leaves grow, develop macroconidia, spread with wind or raindrops, enter new leaves from the underside through their mouths, and produce a white powder. A yellow shiny oily spot appears on the surface of infected vine leaves, which later turns brown and dries up, sometimes severely infected leaves fall off and vine branches become leafless[1-8].

On infected blue branches, elongated reddish spots appear, covered with white powder in moist air. In most cases, the branches dry out from the infected areas and fall off from the joints. There are white dusts on the florets, dark gray dusts on the hollows, and deep bluish spots on the fruit bunches [9-20].

As a result, they dry up and fall out, if fungal conidia fall on the water-filled clusters, then (in August) blue pitted spots appear on the cluster bands and the places where they join with the fruit, and as a result, the water-filled clusters turn brown and fall out. Mildew is spread by conidia through wind, rain, dew, and insects [Fig-2].

Research Science and  
Innovation House





**Fig-2.**

Conidia develop even on water droplets, so the disease develops rapidly during rain, dew and fog. In autumn, oospores, surrounded by thick brown skin, develop in infected organs (mostly on leaves), and they rot. Overwintering oospores in the spring at 95-100% air humidity +7-9 °C.

At a temperature of 61°C, macroconidia appear. According to K. Muller, the incubation period of oospores is 4-5 days at air humidity of 95-100% and air temperature at 21-27°C. That is why vineyards suddenly get sick during drought and hot weather. Mildew disease reduces the yield of vines to 60-90% in better years.

Diseased grapes are unfit for consumption and drying, and the wine made from them is also of poor quality.

### **EXPERIMENTAL PART**

It is necessary to prevent the fight against this disease and to carry out agrotechnical measures - planting healthy seedlings, raising the vine bushes to the sori, giving phosphorus and potassium fertilizers to the vineyards, carrying out the first (before flowering) and second (after flowering) pruning of the vine in time.

In our experiments, it was proven that the use of chemicals is the most effective method in the fight against mildew.

When 4-5 new leaves appear on the branches of the vine, chemical treatment is carried out for the first time when the air temperature is not lower than 110°C.

When spraying chemicals (especially copper-containing chemicals), it is necessary to wet the undersides of the leaves, because the initial damage of the vine





by the fungus starts from the lower parts of the leaf plate. In our research conducted with the students of Tashkent State Agrarian University, chemicals such as 1% bordeaux liquid, crude, kurzat, rhidomine were tested in the fight against vine mildew.

Curzat once (2.5kg/ha), twice when vine branches are 15-20 cm

Ridomin (3.0 kg/ha) before flowering, ridomil (3.0 kg/ha) 5 days after flowering three times, as a result of spraying fungicides, the yield of grapes was 100% preserved. When spraying chemical substances, it is necessary to take into account that copper-preserving chemicals - have a touch effect, have a ridomil-systemic effect. For this reason, copper-preserving chemicals were sprayed at the rate of 90-100 l/ha, systemic fungicides at the rate of 40-50 l/ha, at the expense of liquid. Copper-preserving cruzat fungicide has both topical and systemic properties.

This fungicide is sprayed at the rate of 90-100 liters of liquid per hectare of vineyard is recommended. It is forbidden to spray chemical substances during the flowering period.

### MICROSCOPIC ANALYSIS

To enhance the sporulation of the pathogen, the affected material is placed in a moist chamber for several hours. The drug is prepared by the recorded drop method and analyzed in the field of view of a light microscope. Zoosporangiophores are visible in the studied preparation. They have short horns that branch at right angles and have denticles at the tips. Zoosporangia are lemon-shaped, their sizes are 15-30, 10-15 microns.

### CONCLUSION

It is necessary to prevent the fight against this disease and to carry out agrotechnical measures - planting healthy seedlings, raising the vine bushes to the sori, giving phosphorus and potassium fertilizers to the vineyards, carrying out the first (before flowering) and second (after flowering) pruning of the vine in time.

In our experiments, it was proven that the use of chemicals is the most effective method in the fight against mildew.

Research Science and  
Innovation House



## Literature

1. Шахидиятов Х.М. Органическая химия. Ташкент-2014. С-159
2. Saitkulov, F. E., Tashniyazov, A. A., Mamadrahimov, A. A., & Shakhidoyatov, K. M. (2014). 2, 3-Dimethylquinazolin-4 (3H)-one. Acta Crystallographica Section E: Structure Reports Online, 70(7), o788-o788.
3. Saitkulov F. et al. Titrimetric analysis of calcium cation in "obi navvot" variety of melon // Академические исследования в современной науке. – 2022. – Т. 1. – №. 19. – С. 302-304.
4. Saitkulov, F., Azimov, I., Ergasheva, M., & Jo'raqulov, H. (2022). Carbohydrates are the main source of energy in the body. Solution of social problems in management and economy, 1(7), 68-71.
5. Saitkulov, F., Ibragimov, B. R., Allaqulova, M., Umarov, S., & Xolmatova, M. (2022). The role in the plant and the functions of nutrients. Инновационные исследования в науке, 1(16), 29-31.
6. Saitkulov, F., Farhodov, O., Olishева, M., Saparboyeva, S., & Azimova, U. (2022). Chemical feeding method of lemon plant using leaf stomata. Академические исследования в современной науке, 1(17), 274-277.
7. Boymuratova, G. O., Saitkulov, F. E., Nasimov, K. M., & Tugalov, M. (2022). To Examine the Processes of Biochemical Action Of 6-Benzylaminopurine with Cobalt-II Nitrate Dihydrate on the "Morus Alba" Variety of Moraceae Plant. Eurasian Journal of Physics, Chemistry and Mathematics, 3, 39-42.
8. Saitkulov, F., Uralova, B., Ermonova, O., Mamurova, M., & Karimova, K. (2022). Biochemical nutrition family plant rute-lemon leaved. Академические исследования в современной науке, 1(17), 268-273.
9. Saitkulov, F., Begimqulov, I., O'ralova, N., Gulimmatova, R., & Rahmonqulova, D. (2022). Biochemical effects of the coordination compound of cobalt-ii nitrate quinazolin-4-one with 3-indolyl acetic acid in the "amber" plants grades phaseolus aureus. Академические исследования в современной науке, 1(17), 263-267.
10. Sapaev, B., & Saitkulov, F. (2023, January). Chromato Mass Spectrometric Analysis Using Essential Oils. In Международная конференция академических наук (Vol. 2, No. 1, pp. 123-126).



11. Saitkulov, F., Elmuradov, B., O'lmasova, K., & Alijonova, A. (2023). Studying the properties of the uv spectra of quinazolin-4-ones and-tions. *Development and innovations in science*, 2(1), 24-27.
12. Murodillayevich, K. M., Shoyimovich, K. G., & Ergashevich, S. F. (2023). Studying the Aroma of Mint Essential Oil. *international journal of biological engineering and agriculture*, 2(1), 54-56.
13. Kholmiraev, M., Khaydarov, G., & Saitkulov, F. (2023). Determination of simple esters in mint by the method of chromatomass spectroscopy. *International Bulletin of Medical Sciences and Clinical Research*, 3(1), 70-72.
14. Kholmiraev, M., Khaydarov, G., & Saitkulov, F. (2023). Spectral character of the simple of ethers. *Theoretical aspects in the formation of pedagogical sciences*, 2(2), 204-206.
15. Tilyabov, M., Khaydarov, G., & Saitkulov, F. (2023). Chromatography-mass spectrometry and its analytical capabilities. *Development and innovations in science*, 2(1), 118-121.
16. Tilyabov, M., Khaydarov, G., & Saitkulov, F. (2023). Chromato mass spectrometric analysis using mint essential oils. *International Bulletin of Medical Sciences and Clinical Research*, 3(1), 57-60.
17. Saitkulov, F., Elmuradov, B., O'lmasova, K., & Alijonova, A. (2023). preparation of a mixed coordination compound cobalt-ii nitrate hexahydrate with quinazoline-4-one and 3-indolylacetic acid on “amber” plants of the phaseolus aureus variety. *Science and innovation in the education system*, 2(1), 81-87.
18. Azamatova, M., Meliyeva, S., Azamova, S., Sapaev, B., & Saitkulov, F. (2023). Healing properties of chamomile. *Академические исследования в современной науке*, 2(8), 37-40.
19. Saitkulov, F., Abdukadirov, S., Ashurova, N., Turapov, J., & Zoxidjonova, A. (2022). Recommendations for the use of fats. *Theoretical aspects in the formation of pedagogical sciences*, 1(7), 175-177.
20. Amirova, N., Qulmaxamatova, D., Bebitova, K., Saitkulov, F., & Nasimov, K. (2023). Technology of creating cool beverages rich in vitamins based on rose hip fruit. *Theoretical aspects in the formation of pedagogical sciences*, 2(5), 169-172.

## PEDAGOGICAL TENDENCIES OF MUSICAL CULTURE FORMATION IN YOUTH

Tojiboyeva Sharofat Ergashovna

State Institute of Art and Culture of Uzbekistan

Associate Professor of the “National Singing” Department

**Annotatsiya:** Ushbu maqola yoshlarda musiqiy madaniyat va estetik didni shakllantirishning zamonaviy pedagogik tendensiyalari haqida yozilgan. Rivojlangan mamlakatlar tajribasidan misollar keltirilgan.

**Tayanch soʻzlar:** tarbiya, musiqiy did, motivatsiya, tasavvur, reallashuv, jamiyat, shaxs, individ, senzitivlik, janr, idrok, art-terapiya, tadqiqot.

**Аннотация:** В данной статье написаны современные педагогические тенденции формирования музыкальной культуры и эстетического вкуса у молодежи. Приведены примеры из опыта развитых стран.

**Ключевые слова:** образование, музыкальный вкус, мотивация, воображение, реализация, общество, личность, личность, чувствительность, жанр, восприятие, арт-терапия, исследование.

**Abstract:** This article is written about modern pedagogical trends in the formation of musical culture and aesthetic taste in young people. Examples from the experience of developed countries are given.

**Key words:** education, musical taste, motivation, imagination, realization, society, person, individual, sensitivity, genre, perception, art therapy, research.

Since the first days of independence, a lot of work has been done in the education of the young generation in terms of carefully preserving and restoring the musical culture, which is the spiritual wealth left by our forefathers and ancestors. Consistent formation of spiritual values in the minds of our youth has become the demand of the times. The role of music culture is incomparable in the education of high human qualities, such as country, country, and pride, especially in young people. For this, it is necessary to form musical ideas in the minds of students. In order for each person to be actively realized in the formation of musical imaginations, to become his inner motive, first of all, he should have a certain positive attitude towards the piece of music. It is necessary for a person to acquire and respect the social and cultural achievements of society, to be able to feel them



emotionally and intellectually. This expands the scope of a person's imagination by creating an opportunity for him to adequately perceive and understand spiritual values, including folk music.

If we look at the history of psychological research related to musical imagination, the first scientific research in this direction began in the second half of the 19th century. In particular, the scientific research carried out by foreign scientists K. Shtumpf, F. Brentano, O. Abraham, K. Sishor, G. Gel covered the theoretical features of musical sound and its perception. In the formation of musical imaginations, the sound of music is always an external factor and turns into meaningful information as a result of the formation of emotional and mental states in a person. However, the created musical work is not a material entity, but a unique social communication of the author with the listener, a unique psychological method of influencing his thoughts and feelings.

Material sound object - appears at the initial stage of perception of a piece of music and is observed together with understanding of musical content and intellectual activities. A person's mood and emotional state affect the quality of image formation, and the ability to hear music, sense of rhythm, musical memory and the ability to imagine the development of a musical image are the basis of perception. These are not only subjective, but also individual. Through imagination, a person not only realizes its essence, but also combines the author's social experience reflected in the work with his personal experience as a result of connections in the mind. Especially in the manifestation of aesthetic experiences through listening, human personality, his social origin, national and individual characteristics are expressed. According to A.N. Sokhor, who studied the socio-psychological factors affecting the formation of musical imaginations, the process of imagination formation: firstly, the type and status of the social group to which the listener belongs; secondly, it depends on the socio-psychological characteristics of the person, that is, the type of activity, interests, outlook, taste and musical perception. The social perceptions formed about a certain piece of music and advertising can also directly affect the formation of musical perceptions.

According to A.L.Gotsdiner's interpretation, there are 3 factors in the formation of musical ideas, these are:

- 1) natural sensitivity to music;



2) social conditions that shape an individual's "Musical Biography" and musical experience;

3) level of general and musical development.

All this is related to the qualitative content of perceptual processes through the individual characteristics of a person. And L.M. Kadsin studied the characteristics of creating imaginations in different social groups by listening to music, and expressed imaginations as the first stage of perception. The second stage is interpretation, i.e. it is an opportunity to interpret and analytically evaluate musical works perceived by listening, and the researcher expresses the main, decisive importance of imagination at this stage, and this stage is carried out in the position of the author, performer and contemporary listeners. In addition, it shows the three types of imaginations formed in the minds of individuals and different social groups by listening to musical works of different genres and directions, as well as the directions of their interdependence. Emotional-psychological experiences in the process of imagination formation reflect a high level of understanding of the subjective and social content of a piece of music. It is necessary to consider the importance of social factors in the formation of musical ideas. Because the musical ideas formed in children and teenagers are mainly based on social ideas about certain music.

On the basis of the above analytical thoughts, it can be said that in the meaning of the concept of musical imagination, visual images formed by a person on the basis of previous experiences about music are understood. Musical content is expressed in tonal images, and due to understanding it, imagining it in the form of experiences, a certain system of ideas about this music is formed. The system of musical ideas consists of a set of ideas about the general ideas of a person about music, ideas about classical music, ideas about popular genres of music and national musical instruments, the laws of development of musical instruments and songs.

The psychological, socio-psychological, musical-psychological, social, aesthetic, artistic, educational, guiding, etc. of this system. features are interrelated. The scope of musical imaginations determines the attitude of a person to music, that is, imaginations are manifested in the form of existing institutions, existing traces are revived. Unique features of musical works: national rhythms, musical decorations, expression of characteristics through the sound-making properties of national instruments. , the structure of the form of the works, the perception of the



laws of the development of the melody in the mind of the individual, with the help of the lyrics of the songs, it is manifested in the vivid description of the national, ethnic lifestyle and national values.

At the same time, the formation of musical imagination depends on some socio-psychological factors, including:

- 1) the attitudes of children and teenagers towards music;
- 2) promotion of music;
- 3) to the characteristics of existing attitudes towards music in the social environment;
- 4) depends on the content and level of spiritual and artistic education.

Undoubtedly, the above social factors affect the quality of musical perception of students (listeners) of different ages, individual and regional characteristics in a holistic way, and play a key role in the formation of their musical imaginations. Therefore, the formation of musical ideas is a process of educating a modern, mature, well-educated and artistic taste of the young generation by realizing the artistic, spiritual and educational possibilities of music as a model of values.

#### LIST OF REFERENCES:

1. Mirziyoev Sh.M. Together we will build a free and prosperous, democratic country of Uzbekistan. -Tashkent: Uzbekistan, 2016. - 56 B.
2. Abdullaev R.S. Genre is big song and ego. Diss.na soiskaniye uchyonnoy stepi kand. art education. -T.: 1982. -149 p.
3. Nurullayev F. G. The unique educational and educational significance of Bukhara folklore songs. Pedagogical skill, Scientific-theoretical and methodical magazine, 30.06. Special issue of 2021. - Bukhara. B.28-32
4. Azimov B. Moral education of young people means folk music. ...dis.kand.p.n. -T.: 1991. -16 p.
5. Nurullaev F.G. The role of folklore in raising children // European Journal of Research and Reflection in Educational Sciences Vol. 8 No. 12, 2020 Part III. ISSN 2056-5852.
6. Nurullayev F.G. The role and importance of teaching Bukhara folklore songs in the continuous education system// News of the National University of Uzbekistan, Scientific-theoretical and methodical magazine, issue 6, 2021. - Tashkent. B.177-186.

## STORY, STYLE AND INTERNAL TYPES IN THE STORY GENRE

UrDU mustaqil tadqiqotchisi F.Radjapova

Fakultetlararo chet tillar kafedrasi o‘qituvchisi A.Jumaboyeva

### In the perspective of short methodological directions

The current renewal period and human spirituality require a deeper approach to some issues of artistic creation, a new understanding of today's process and a number of theoretical ideas. The relationship of style, art and genre plays a significant role in this series of issues. Indeed, “in relation to the concept of style, various problems have arisen, such as style and method, style and form, style and genre relations, as well as methodological directions and style comparisons (typology). requires input<sup>1</sup>. “

For, no matter how private and varied an individual style may be, it cannot be free from the influence of the laws of artistic creation, the ongoing change in the perfection of method and genre, and the leading features. Therefore, if the writer's style gives the work originality, the work itself serves to improve the genre to which it belongs, and the genre serves to enrich the method.

The role of epic genres in the manifestation of the vitality of realism, the uniqueness of its possibilities and the large-scale expression of creative artistic thinking is significant. This is especially evident in epic genres - novels and short stories - that reflect reality on a large scale, in the context of different images and sharp conflicts. Indeed, “the genre is characterized when the work is formed as an aesthetic whole, when the method of its formation is determined. Talking about the perfection of the conflict in terms of expressive and pictorial means leads us to the sphere of style. Thus, in the structure of a work of art, the creative method, genre and style are interrelated.

The nature and aspects of this connection are evident in the analysis of the overall text, the compositional structure of the work. In this process, the genre characteristics of the story, such as its evolution, the process of renewal, play an important role.

---

<sup>1</sup> Boltaboyev H. Prose and style. Tashkent. Science. 1992. P. 3.





Storytelling is a genre that has been active in Eastern literature since ancient times, and it has been interpreted differently at different times. In the medieval Muslim world, epic works about some famous heroes, prophets and saints who sacrificed their lives in the name of religion were directly referred to as “stories”. The “folk books” that narrate epic works of folklore in the prose way are also called by the same name. In modern literature, the term “narrative” is used to refer to works that tell the story of a particular period in a person's life.

In literature, there are different views on theoretical issues, such as the peculiarities of the short story genre, its attitude to the narrative genre. Some literary critics consider the story to be an independent genre that differs from the narrative genre in Russian and European literature. For example, the literary critic, Professor S. Mirvaliev: ... “In terms of the internal volume of the content of the story, it seems that the concept of the story can no longer fully express itself. As a result, the story remains an independent genre between the story and the narrative genre<sup>2</sup>. A. Abrorov also considered narration and story as separate genres: “A new prose genre - short story - appeared in the shell of the narrative genre<sup>3</sup>”. Literary critic K. Kubaev, in his article “Narrative and short story”, agrees with the views of the above scholars and divides a single genre, which is used in two different terms. A second group of scholars argues that both “story” and “narrative” are bilingual terms of the same genre, that “story” is an oriental term, and “narrative” is a Russian term. For example, the authors of the Russian-Uzbek Glossary of Literary Terms write: “Such works (meaning narratives - (F.R.)) Are identical to the narrative genre in terms of their character, genre possibilities, artistic principles, and methods. That is why the term short story in modern prose should be understood as a synonym for the term narrative<sup>4</sup>. “

The question arises as to which of these views is correct. Because there can be no two different correct judgments about something in science. Approached from

---

<sup>2</sup> Mirvaliev S. Uzbek prose. – Tashkent. Science. 1969. P. 277.

<sup>3</sup> Abrorov A. Uzbek narrative . – Tashkent: Science, 1978. – P. 88.

<sup>4</sup> K.Kubayev. Narrative or story. Literature and language study. Tashkent. 2005. № 3. P. 61-64



this point of view, the second view, that is, the view that story and narrative consist of synonymous terms, is close to the truth.

In general, the story as a genre has gone through long stages of historical development and has belonged to a certain creative method according to the style of literary-aesthetic thinking at each stage. His so-called classical narratives are dominated by romantic imagery in his past creations and realistic imagery in his later creations.

It should be noted that the idea that modern Uzbek realistic storytelling originated in the 1930s is controversial. Even before this period, there had been attempts to portray reality in an epic plan. A striking example of this is Hamza's *New Happiness* or *The National Novel*.

Although the author called this work, published in lithography in 1915, a “novel” (it is also called a “great story”), the main feature of the story is the consistent artistic narration of a certain period of life in one protagonist (Olimjon), the volume of which is narrower than the novel. is a priority. Therefore, this work gives grounds to say that realistic storytelling began to take shape in the 10s of the last century. The following years were a period of gradual improvement. Naturally, the story continued to change because it was a historical category. Because “any genre, while maintaining its stable characteristics, is renewed and changed from within, firstly, according to the specificity of the literary type and the laws of the genre, and secondly, in close connection with the socio-historical environment and literary process. This process, which began in the twentieth century, is experiencing a new, higher stage in the period of independence.

In this process, the diffusion of genres, the dimensional diversity of the plot and motifs, the naturalness of the complex psyche and the positive and negative points of reality in the image of the person, the reliance on artistic logic in relation to the main and auxiliary factors, the diversity of styles and methods. The principles of harmonization with the standards are changing and improving.

In this series of transformations, two cases stand out. The first is the relationship between traditional and non-traditional (modernist) trends in the phenomenon of style, and the second is that the phenomenon of syncretism in the texture of prose genres, and even individual works, is increasingly reflected. A new stage in this process was the period of independence. During this period, on the one hand, the vitality, scale and level of traditional realism were very wide, and on the other hand,



various creative-aesthetic currents, views, directions and styles were opened. Most importantly, in the epic and lyro-romantic genres of traditional realism, especially in short stories, the principle of in-depth artistic study of the inner world of the individual on the basis of modern thinking, symbolic interpretations is strengthened. This feature is also reflected in the stories created in recent years. In a number of stories, realism is seen as a synthesis of national-literary traditions, realistic imagery, modern interpretation. The stories of E.Azam, H.Dustmuhammad, Sh.Butaev can prove it.

The current stage of development of style in Uzbek storytelling is an integral part of the renewal and improvement of national prose, which reflects the traditional and modern style, journalistic interpretation, psychological analysis, individuality of each writer's talent, artistic perception and will, analysis and examination of the individual from a spiritual perspective. The principle of Also, the possibilities of realism are creating new features and appearances within certain genres and styles. In this regard, the following subtypes can be seen in today's stories: film story, dramatic story, monologue-psychological story, comical story, essay story, adventure-detective story, letter story, lyrical story.

It turns out that short story is a genre that is changing and improving with the socio-spiritual needs, literary and aesthetic requirements of a particular period. This phenomenon, especially in the artistic thinking of the independence period, has a large-scale character, and is reflected in the form of the story's connection with other genres, their interaction and mutual enrichment. In particular, the lyrical feeling of the poem, the experience, the high pathos, the dramatic action, the conflict, the epic scale of the novel, the story, the situation are absorbed into the text of the story at different levels. But in this way the story does not lose its essence as a medium epic genre.

As noted by the literary critic, Professor N. Rakhimjanov, such a renewal phenomenon in today's artistic and aesthetic thinking, including the development of certain genres, from the point of view of emblems, symbols), a new approach, assimilation and generalization has become a natural necessity of the literary-historical process. Indeed, the evolution of literary and artistic thinking, the updates in the series of short stories and the style of writers allow us to imagine more broadly certain aspects of the effect of this aesthetic need.

It is known that literature is a socio-aesthetic phenomenon and a set of specific works. In the transition and harmonization of literary creativity from society to art, firstly, the spiritual needs of the current period, the perfection of genres and styles, and secondly, the artist's artistic ability, the subjective aesthetic attitude to reality play a decisive role. These features, especially in the twentieth and early twenty-first centuries, have formed in our literary-aesthetic consciousness completely new principles and concepts, and certain similar stages have emerged in the development of national literature.

Literary critic K. Yuldashev divides this period into 3 stages as follows: 1) the period of Uzbek modern literature; 2) Uzbek literature of the Soviet period; 3) The period of independence is based on the Uzbek literature and the fundamental feature of each period - the aesthetic attitude of art to reality. Doctor of Philology N.Karimov's classification for this period also consists of 3 stages: 1) the period of national awakening; 2) period of social series; 3) Uzbek literature of the independence period<sup>5</sup> “.

Methodological directions allow us to identify the leading features of artistic thinking specific to certain periods as one of the important events in the series of literary processes. These features show that artists with individual, unique style and tone belong to a certain creative style, as a result of which the main features of each period are formed stylistic directions. The beginning of the renewed methodological and formal directions in our national literature today is also connected with the new thinking that began to emerge in the second half of the last century. Literary critic U.Normatov, based on the analysis of works created in the prose genres in the 60s and 70s, including short stories, notes that during this period there were two methodological directions - a consistent realistic flow and a lyro-romantic trend. Literary critic, Professor S. Mamajonov identifies the methodological directions of this period in the context of Uzbek literature and divides them into three: 1) to show life in its own form; 2) conditional symbolic-methodical direction; 3) lyro-pathetic methodological direction. Apparently, the mention of realistic and lyro-pathetic methodological directions in both groupings is not accidental: the originality of the

---

<sup>5</sup> K.Yuldashev. Bright word. – Tashkent: New age generation, 2006. – P.181–194.



former is a sign of the predominance of traditional realism, and the exaltation of the latter is a sign of the primacy of the elements of romanticism.

Examples of these methodological trends in Uzbek prose continued rapidly until the 1990s. But each of them was in a different position according to the scale and level of application. Literary critic H. Boltaboev, who has deeply observed this process, draws attention to the growing tendency to realistic analysis in the system of methods and recognizes the following areas: 1) consistent analytical direction; 2) lyro-romantic direction; 3) conditional-symbolic direction. Importantly, in the classifications of master scholars, it is unanimously noted that the realistic direction is leading in the series of methods, although it is called consistent, “showing life in its own form”, “consistent analytic”.

At the same time, it is not ruled out that within the framework of a particular creative method, several methodological directions may occur in a number of works in full or in the form of elements and tendencies.

It is no coincidence that in the classifications of the later period the emphasis was on the conditional-symbolic methodological direction. Because conditionality and symbolism are one of the main features of the nature of artistic creation. Indeed, “there are also Western views on the renewed literary-theoretical principles in the world. Whether we like it or not, they do not have signs of Eurocentrism. For Eastern literature, conditionality has always been a priority rather than overt realism, and symbolism over abstractionism. “

The economic, spiritual and psychological changes that have taken place since independence and the freedom of creativity, the diversity of artistic thought have further expanded the scope of ideological and artistic research in today's literature and allowed for the establishment of unique literary and theoretical principles. One of them is the so-called modernist phenomenon, which manifests itself in all genres of our national literature, including short stories. It is being evaluated in research as a new phenomenon that has been added to the existing methodological approaches. In particular, it is noted that there are the following types of methodological directions in the novel: “a) consistent analytical; b) lyro-romantic; c) conditional-symbolic; g) modernistic “. At this point, the theme of each story, the differences in internal genre characters, form, and expression should be taken into account when defining style.

In all the classifications of these methodological directions for the next twenty-five years, more emphasis is placed on realistic and modernist directions. This, in our view, is not in vain. While the first shows the vitality of long-standing traditions of thought, the second is evidence that new principles of artistic study of man and the world are also taking shape in the national literature of the East. Academician B. Nazarov rightly writes about the modernist works of Uzbek writers H. Dostmuhammedov, N. Eshonqul, Omon Mukhtor and others in recent years: “These researches in the last stage of Uzbek literature are examples of certain renewal. They are in tune with what is happening and what is happening in world literature. “

It is safe to say that today's literature, which began to take shape at the beginning of the last century, has not been indifferent to the research in world literary thought, including the now “modern” trends. In particular, modernist features in the form of artistic elements in realistic works in the 20s and 60s (in the works of Cholpon, Abdulla Qodiri, Oybek, Abdulla Qahhor and others), in the 70s and 80s as trends and influences of world literature (Askad Mukhtor, Khudoiberdi Tukhtaboev, Shukur Kholmiraev, In the works of Sharp Hoshimov).

Since the 90s, it has become widespread as an independent direction (Omon Mukhtor, Khurshid Dostmuhammad, Murad Muhammad Dost, Nazar Eshanqul and others).

You can even see an artist swinging a pencil in different directions. For example, in H. Dostmuhammad's story “My Hijran is mine, mine” the lyro-romantic style is used, while in the stories “Panoh”, “Nigoh” we see the synthesis of conditional-symbolic and modern features. This is especially evident in the stories of N. Eshonqul. In his works, he appeals more to consistent analytical and modernist methodological directions. His stories “People of War”, “Thunderstorm” are realistic, “Night Fences” and “Black Book” are purely modernistic. Literary critic D.Kuronov's views on the interrelationship of styles are justified: “Realistic and non-realistic forms of artistic thinking have existed since ancient times, and the contradictions between them show the strengths of each and complement the weaknesses of both”. Hence, the affiliation of narrative writers to a particular direction does not preclude individual differences in their style. For example, in the prose of H. Dostmuhammad, M.M Dost, G. Hotamov, the human spirit, the puzzle of the heart is covered in a more specific aspect of the event, in the works of N.



Eshonqul, Sh. Hamro, U. Hamdam the analysis of symbols, supernatural images, details and emergencies are given.

### List of used literature

1. Boltaboyev H. Prose and style. Tashkent. Science. 1992. P. 3.
2. Mirvaliev S. Uzbek prose. – Tashkent. Science. 1969. P. 277.
3. Abrorov A. Uzbek narrative . □ Tashkent: Science, 1978. □ P. 88.
4. K.Kubayev. Narrative or story. Literature and language study. Tashkent. 2005. № 3. P. 61-64
5. K.Yuldashev. Bright word. □ Tashkent: New age generation, 2006. □ P.181–194.



---

Research Science and  
Innovation House

## BIOGAZ TEXNOLOGIYASINING AFZALLIGI

**Choriyev Bekzod Urazovich**

**Termiz muhandislik-texnologiya instituti stajyor-o‘qituvchisi**

**e-mail: [bekzodchoriyev23@gmail.com](mailto:bekzodchoriyev23@gmail.com)**

**Sharifova Nargiza Djurayevna**

**Termiz muhandislik-texnologiya instituti assistenti**

**e-mail: [nargizasharipova439@gmail.com](mailto:nargizasharipova439@gmail.com)**

**Choriyev Xusan Axmadovich**

**Termiz muhandislik-texnologiya instituti stajyor-o‘qituvchisi**

**e-mail: [husanbek19980208@gmail.com](mailto:husanbek19980208@gmail.com)**

### ANNOTATSIYA

Moddiy resurslar cheklanganligi bois ulardan tejamkorlik bilan foydalanish hamda moddiy resurslarni ishlatishda noan’anaviy yo‘llarni qo‘llash, fan va texnika taraqqiyoti natijalaridan unumli foydalanib, tejamkor texnologiyalarni yaratish va ulardan foydalanish muhim ahamiyat kasb etadi. Ushbu maqolada tejamkor texnologiyalardan biri bo‘lgan biogaz olish texnologiyasining afzalliklari yoritilgan. Shuningdek, rivojlangan mamlakatlar tajribasi o‘rganilib tahlil qilingan. Shu bilan bir qatorda biogaz texnologiyasini qo‘llashga doir bir qancha taklif va tavsiyalar berib o‘tilgan.

**Kalit so‘zlar:** biogaz, moddiy resurs, gaz gumbazi, hazm qiluvchi bakteriyalar, biokonversiya, reaktor.

### ANNOTATION

Due to the limited nature of material resources, it is important to use them sparingly and to use non-traditional ways in the use of material resources. Therefore, this article highlights the advantages of biogas production technology, which is one of the cost-effective technologies. Also, the experience of developed countries was studied and analyzed. In addition, a number of proposals and recommendations on the use of biogas technology were given.





**Key words:** biogas, material resource, gas dome, digesting bacteria, bioconversion, reactor.

**KIRISH** Bugungi kunda ijtimoiy va iqtisodiy taraqqiyotning rivojlanishi yo‘lida tabiat resurslaridan samarali foydalanish hamda tabiatda ekologik muvozanatni ta‘minlab turuvchi yangi sifatli texnologiyalarni yaratish talab etilmoqda. Xom ashyo va energiya manbalaridan rejali tarzda foydalanish uni uzoq muddatga yetishini ta‘minlaydi. O‘zbekiston Respublikasi Prezidentining 2015-yil 5-maydagi PQ-2343-son qarori bilan ma‘qullangan 2015-2019-yillarda iqtisodiyot tarmoqlari va ijtimoiy sohada energiya sig‘imini qisqartirish, energiyani tejaydigan texnologiyalarni joriy etish chora-tadbirlari dasturini ijro etish yuzasidan, respublikaning chorvachilik va parrandachilik xo‘jaliklarida biogaz qurilmalari qurishni rag‘batlantirish maqsadiga muvofiq amalga oshirilayotgan keng ko‘lamli islohotlar ushbu sohaning har jihatdan yanada rivojlanishiga olib kelmoqda[1].

**ADABIYOTLAR SHARHI** Iqtisodiyot taraqqiyoti va ishlab chiqarish jarayoni uchun zarur bo‘lgan moddiy resurslar ishlab chiqarish jarayonida bevosita ishtirok etib, ma‘lum mahsulot turini yaratishda o‘zining dastlabki ko‘rinishini o‘zgartirgan holda, ishlab chiqarish yoki shaxsiy iste‘mol uchun yaroqli bo‘lgan mahsulot ko‘rinishini egallaydi. Moddiy resurslar mamlakatlar miqyosida tarkiban turli xil miqdor va darajada bo‘lishi mumkin. Ular Yer yuzida tekis taqsimlanmagan va cheklangan miqdorda mavjud. Moddiy resurslarning kamyoblighi umumiy hodisa hisoblanadi. Yer osti va yer usti boyliklarining cheklanganligi energiya resurslarining yetishmasligida o‘z aksini topadi. Masalan, keyingi 100 yil ichida Yer sharida aholi soni qariyb 3 martaga oshdi, ammo moddiy zaxiralar miqdori ko‘paygani yo‘q.

Moddiy resurslar mavjudligi jihatidan 2 ga bo‘linadi: amalda ishlatilayotgan moddiy resurslar (masalan, tabiiy boyliklar moddiy resurslar sifatida hisobga olinishi, qazib olinib, qayta ishlanishi va tayyor mahsulotga yoki xom ashyoga aylantirilishi); ishlatilishi kelajakda ko‘zda tutilgan moddiy resurslar.

So‘nggi yillarda tabiiy xom ashyolarni ko‘p darajada iste‘mol qiluvchi kuchlarning jadal rivojlanishiga bog‘liq ravishda tabiat resurslari bilan ta‘minlash muammolari yanada dolzarblashib bormoqda.



Tuproq, atmosfera va gidrosferaning ifloslanishiga qarshi kurashishda dunyoning barcha mamlakatlari kelishib faoliyat yuritishlari zarur bo‘lib, tabiat resurslari muhofazasi global xarakterga ega bo‘lmoqda[2].

Qishloq xo‘jaligi va oziq-ovqat mahsulotlari ishlab chiqarishda hosil bo‘ladigan chiqindilar, shuningdek, sanoat va shahar oqava suvlarini tozalash inshootlari oqava suvlarini biogazga aylantirish atrof-muhit uchun juda foydalidir. Go‘ng, silos, oziq-ovqat mahsulotlarini qayta ishlash chiqindilari va hatto restoranlardan yoki turar-joylardan oziq-ovqat qoldiqlarini qayta ishlashdan hosil bo‘lgan chiqindi oqimlari energiya salohiyatiga ega. Biogaz ishlab chiqarish ushbu chiqindi oqimlarini aktivlarga aylantirib, mahalliy va milliy darajada qayta tiklanadigan barqaror energiya manbalarini yaratadi. Shu bilan bir qatorda iqlim o‘zgarishi bilan bog‘liq gaz emissiyasini kamaytiradi[3].

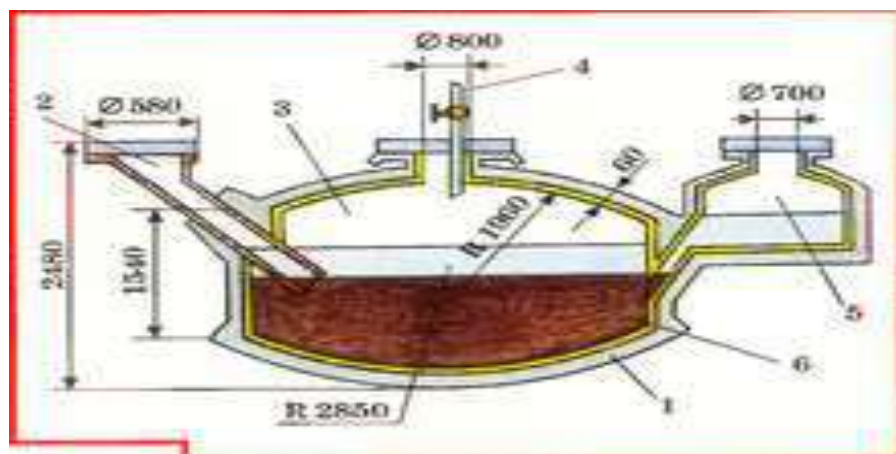
Biologik chiqindilardan energiya manbai sifatida foydalanish uchun ulkan reaktorlarda (germetik berk bo‘lgan idishlarda) biologik chiqindilar qayta ishlanadi. Biogaz qurilmalari yordamida go‘ng (o‘simlik qoldiqlari va hayvon chiqindilari) qayta ishlanib, yonuvchan gaz va yuqori sifatli o‘g‘it olinadi. Biogaz olish qurilmalarining ish prinsipi tabiiy biologik jarayonlarning amaldagi ifodasidir. Zamonaviy biogaz ishlab chiqarish tabiatda sodir bo‘ladigan jarayonlarga asoslanadi, ya’ni hayvonlar oshqozonida hazm qilish faoliyati natijasida sodir bo‘ladigan chiqindilardan metanni hosil bo‘lishi asos qilib olingan.

Dunyoning rivojlangan mamlakatlarida biogaz texnologiyalarining rivoji o‘tgan asr boshlariga to‘g‘ri keladi. Hindistonda biogaz texnologiyasi bo‘yicha tajriba 1937-yilda boshlangan. 1956-yilda Jashu Bhai J. Patel Gobar gaz zavodi deb nomlanuvchi suzuvchi baraban biogaz qurilmasi loyihasini ishlab chiqdi. 1962-yilda Patelning dizayni Hindistonning Xadi va qishloq sanoat komissiyasi (KVIC) tomonidan ma’qullandi va bu dizayn tez orada Hindiston va butun dunyoda mashhur bo‘ldi. Ushbu dizaynda hazm qilish kamerasi, sement, g‘isht va toshdan yasalgan. Reaktorning chiqaruvchi qismida hosil bo‘lgan biogazni yig‘ish uchun uning ustiga yumshoq po‘lat baraban o‘rnatiladi. Shunday qilib, gaz ishlab chiqarish va yig‘ish uchun ikkita alohida tuzilma mavjud. Ruxsat etilgan gumbazli Xitoy modelining joriy etilishi bilan suzuvchi baraban qurilmasi boshqa dizayn kamchiliklari bilan bir qatorda nisbatan yuqori investitsiyalar va texnik xizmat ko‘rsatish xarajatlari tufayli deyarli muomaladan chiqarilgan[3].

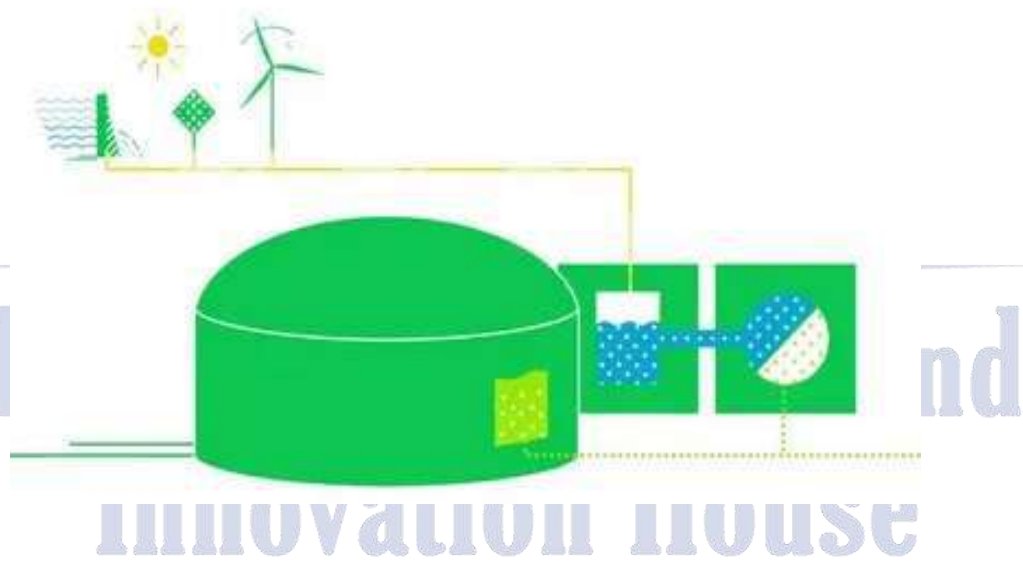




### Suzib yuruvchi barabanli maydalagich (Hindcha modeli) 1-rasm



1-rasm Suzib yuruvchi barabanli maydalagich (Hindcha modeli)



2-rasm Ruxsat etilgan gumbazli Xitoy modeli

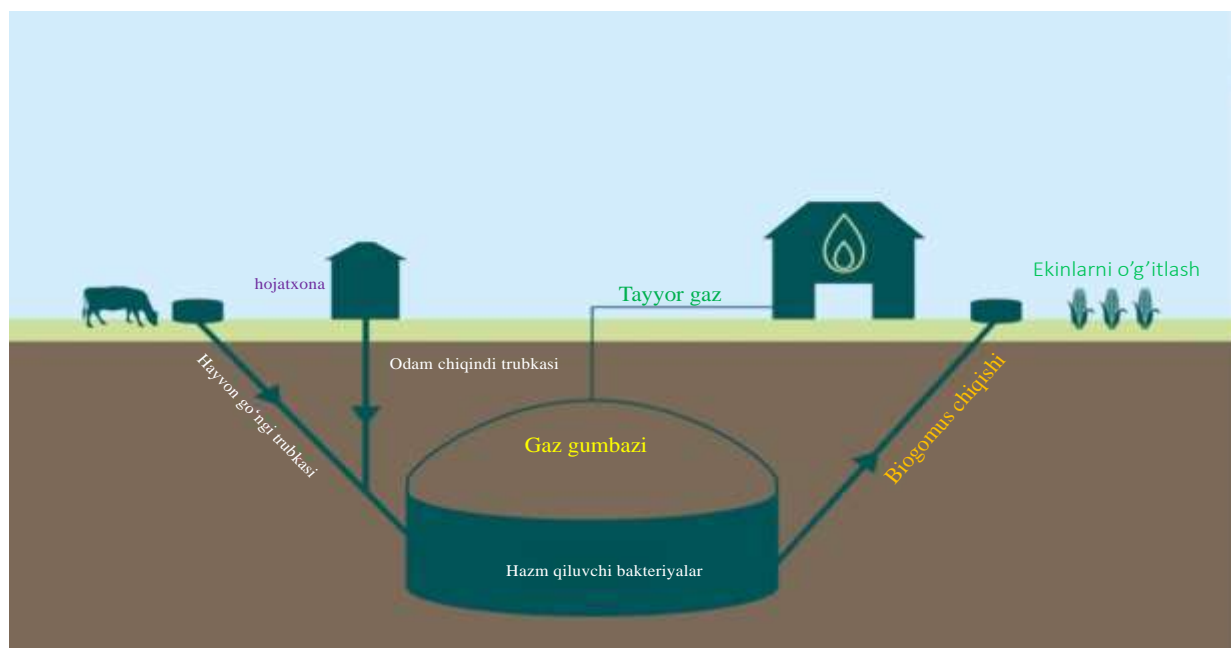


Hozirgi kunda dunyoning ko‘plab mamlakatlarida zamonaviy biogaz texnologiyadan samarali foydalanib kelinmoqda. Birgina Nepal davlatida 8000 dan ortiq kishi biogazdan kundalik ovqat tayyorlash, isitish va o‘g‘it ishlab chiqarish ehtiyojlari uchun foydalanmoqda. Shuningdek, Hindistonda biogaz ishlab chiqarish uchun qariyb 1 million arzon va oddiy qurilmalar ishlatiladi, Xitoyda esa bu ko‘rsatkich 7 milliondan ortiq. Yevropa mamlakatlarida bir qator kommunal oqava suv tozalash inshootlariga ega bo‘lgan korxonalar energiyaga bo‘lgan ehtiyojlarini o‘zlari ishlab chiqaradigan biogazlar bilan qondiradilar.

**TADQIQOT METODOLOGIYASI** Biogaz olishning afzal tomonlari — elektr energiya talab qilmasligi, hamda ishlash prinsipining murakkab emasligi va ishlash jarayonida chiqindilar o‘rniga o‘g‘it hosil bo‘lishidir. Chiqindilarning biokonversiya jarayoni energetik muammoni hal qilishdan tashqari yana ikkita masalani hal qiladi. Birinchidan, biogaz qurilmasidan olingan o‘g‘it odatdagi o‘g‘itga qaraganda qishloq xo‘jalik ekinlarining hosildorligini 10/20 foizga oshiradi. Ikkinchidan, chiqindilar achigan vaqtda o‘g‘it tarkibida ko‘p miqdordagi begona o‘tlarning urug‘lari, har xil mikroblar birikmalari, gelmintin urug‘lari va yoqimsiz hidlar yo‘qotiladi. 1 m<sup>3</sup> biogaz 1 litr suyuq gaz yoki 0,5 litr yuqori sifatli benzina teng kelishi isbotlangan. Biogaz olish texnologik foydaga ega bo‘lish imkoniyatini yaratadi, uning qoldiqlarni yoqish esa arzon energiya olish orqali energetik foydaga ega bo‘lishni ta‘minlaydi. Ekologiya nuqtai nazaridan, biogaz juda katta afzalliklarga ega. Chunki u o‘tin o‘rnini bosa oladi, shu sababli o‘rmonni saqlab qolish va cho‘llanishning oldini olishi mumkin[4]. Bugungi kunda O‘zbekistonning 60 foizga yaqin aholisi qishloq hududlarida istiqomat qilib kelmoqda. Biogaz texnologiyalarini rivojlantirishning asosiy yo‘nalishlaridan biri mahalliy fermalar xo‘jaliklarida dastlabki biogaz zavodlarini yaratish va ularni amalda sinab ko‘rishdir. Shuningdek, agrosanoat kompleksida ekologik toza va energiyadan samarali foydalanuvchi texnologiyalarni joriy qilish maqsadida, biogaz qurilmalarini ekspluatatsiya qiluvchi va ishlab chiqaruvchi tashkilotlar uchun soliq va bojxona imtiyozlari hamda preferensiyalarni taqdim etishni ko‘zda tutuvchi Vazirlar Mahkamasining “Respublikaning chorvachilik va parrandachilik xo‘jaliklarida biogaz qurilmalarini qurishni rag‘batlantirish chora-tadbirlari to‘g‘risida” gi qarori qabul qilingan[5].







### 3-rasm Biogaz texnologiyasi

Tabiiy gaz va biogaz o'rtasidagi asosiy farq shundaki, biogaz qayta tiklanadigan manba hisoblanadi. Bu shuni anglatadiki, tizimga organik chiqindilar qayta qo'shilsa, ishlashni davom ettirishi mumkin, ammo tabiiy gaz yer ostidagi gaz konlaridan keladi va bir marta ishlatilsa, yo'qoladi. Yana bir muhim farqi shundaki, biogaz tabiiy gazda erisha olmaydigan ikkinchi darajali foyda keltiradi. Tabiiy qo'shimcha mahsulot sifatida erkin, metanga boy bo'lgan o'g'it hosil qiladi. Bu daromad olish uchun yoki qishloq xo'jaligi yerlarida hosildorlikni oshirish uchun ishlatilishi mumkin. Bundan tashqari, samaradorligi tufayli biogaz minimal chiqindilarni ishlab chiqaradi. Bu bino ichida havo ifloslanishi yoki zaharli gazlar yo'qligini anglatadi. Taqqoslash uchun, qishloq hududlarida o'tin, ko'mir va quritilgan hayvonlar go'ngi kabi qattiq yoqilg'ulgilar ishlatilganda o'zidan juda zaharli gazlarni keltirib chiqarishi mumkin. Shuningdek, ushbu zaharli gazlar iqlim o'zgarishiga olib kelishidan tashqari, insonlarning sog'ligiga ham jiddiy ta'sir qilishi mumkin. Hattoki ba'zi hollarda insonlarning bevaqt o'limiga ham sabab bo'ladi.

Biogaz tizimlari tijoriy energiya manbalari hisoblangan elektr yoki tabiiy gaz bilan ta'minlovchi provayderlar mavjud bo'lmagan chekka hududlarga mos keladi. Shuningdek, kundalik ovqat tayyorlash va isitish ehtiyojlari uchun odamlar an'anaviy energiyaga — o'tin, ko'mir yoki quritilgan hayvonlar chiqindilariga



bog‘liq bo‘lgan joylarda foydalanish eng samarali hisoblanadi. Bundan tashqari, biogaz tizimlari shahar va yarim shaharlarda qattiq maishiy chiqindilardan va kanalizatsiyadan energiya ishlab chiqarish uchun ham to‘g‘ri keladi.

**XULOSA** So‘nggi yillarda dunyo aholising soni keskin ortib bormoqda. Bu o‘z navbatida moddiy resurslarga bo‘lgan ehtiyojni oshishiga olib keladi. Qayta tiklanadigan energiya manbalarini yaratish va ulardan foydalanish bugungi kunning dolzarb masalalaridan biri bo‘lib kelmoqda. Xulosa o‘rnida shuni aytish mumkinki, biogaz texnologiyalaridan keng ko‘lamda samarali foydalanish bir qancha muammolarga ijobiy yechim bo‘lishi mumkin. Qolaversa, tabiiy gaz bilan ta‘minlanmagan chekka hududlarda istiqomat qiluvchi aholiga bir qancha qulayliklar yaratadi. Shuning bilan bir qatorda, energetika tizimida yuzaga kelishi mumkin bo‘lgan ehtimoliy uzulishlarni ma‘lum miqdorda oldini olishi mumkin.

### FOYDALANILGAN ADABIYOTLAR

1. O‘zbekiston Respublikasi Prezidentining 2015-yil 5-maydagi PQ-2343-son qarori
2. Qosimova N. S., Sharifova N. D., Musurmonova A. I. Q. MAMLAKAT IQTISODIY RIVOJLANISHIDA MINERALXOMASHYO RESURSLARINING TUTGAN O‘RNI VA AHAMIYATI //Oriental renaissance: Innovative, educational, natural and social sciences. – 2023. – T. 3. – №. 4-2. – C. 639-648.
3. <https://uz.wikipedia.org/wiki>
4. N. T. Toshpo‘latov, D. B. Qodirov QAYTA TIKLANUVCHI ENERGIYA MANBALARI fanidan O‘QUV QO‘LLANMA 2020
5. <https://daryo.uz/2022/04/20>
6. Abduraximovich Q. S., Urazovich C. B., Djurayevna S. N. TERMIZ SHAHRIDA MAVJUD BO‘LGAN AVTOBUS BEKATLARINING TAHLILI //International journal of scientific researchers (IJSR) INDEXING. – 2024. – T. 4. – №. 2. – C. 13-18.

Innovation House





## TIBBIYOTDA NANOTEXNOLOGIYALAR

**Xoshimova Mo‘mina Shuhratjon qizi**  
**Yoqubjonov Abdumutal Abduljalil o‘g‘li**  
**Tursunaliyev O‘ktamjon Solijon o‘g‘li**

**Andijon davlat universiteti Fizika fakulteti Fizika yo‘nalishi talabalari**

**Annotatsiya:** Ushbu maqolada tibbiyotda nanoo‘lchamli strukturaga ega texnologiyalarning qo‘llanilishi hamda istiqbollari, hozirgi zamon ilg‘or texnologiyalarining tibbiyotdagi ahamiyati to‘g‘risida ma‘lumotlar berilgan.

**Tayanch so‘zlar:** nanotexnologiya, struktura, nanosekund, nanoamper, nanometr, elektrodlar, yupqa platforma, nanotranzistor, attoo‘lcham, robotlashtirish, telemeditsina, nanostruktura, DNK, nanosensorlar, mutatsiyalar, virus, diagnostika, biochiplar, fermentlar, antitelolalar, fluoressent nur, nanochip, hujayra regeneratsiyasi, implantatsiya.

Nanotexnologiya – bu nanoo‘lchamli strukturalarni yaratish uslubi hisoblanadi. “Nanotexnologiya” so‘zining ma‘nosi bu juda murakkab tushunchadir. “Nano” qo‘shimchasi grekcha “nano”- “mitti chol” ma‘nosini berib, qandaydir birlikning milliarddan bir bo‘lagini anglatadi. Bir nanosekund  $10^9$ sekund, bir nanoamper  $10^9$  amper, bir nanometr  $10^9$  metrga teng. XXI asrning keying yillarida bu sohaga qiziqish tobora ortib, bir qancha yutuqlarga erishildi. Bugungi kunda insoniyat oldidagi global masalalardan biri nanoo‘lchamdagi texnologiyalarni yaratish deyishimiz mumkin. Eng so‘nggi yangiliklar ham nanoo‘lchamdagi, xatto attoo‘lchamdagi ( $10^{18}$  m) materiallar ustida amalga oshirilmoqda. Insoniyat odamlar hayotining deyarli barcha sohalarini axborotlashtirish va robotlashtirish masalalarida ancha odimlab bormoqda. Xususan tibbiyotda katta o‘zgarishlar va yangiliklar kutilmoqda. Ba’zi fundamental yangiliklar allaqachon joriy qilingan va muvaffaqiyatli amalda qo‘llangan. Masalan, so‘nggi yillarda lazer texnologiyalari va telemeditsina tobora ko‘p qamrovda joriy etilmoqda.

Yuqori texnologiyalar - iqtisodiy o‘shishning asosiy poydevori hisoblanadi. Yaqin davrlarda nanotexnologiyalar inson faoliyatining barcha sohalariga kirib borib, hayotni tubdan o‘zgartirishi hech gap emas. Nanotexnologiyalar haqida hamma ham gapiravermaydi. Ilm-fan, tibbiyot va fizika olamida nanotexnologiya,



ehtimol, eng dolzarb mavzudir. Balki kelajakda butun organizmni “ta’mirlesh” ni amalga oshiradigan miniatura robotlari (nanorobotlar) ishlab chiqilar. Unga ko‘ra quyidagicha tahmin qilishimiz mumkin: bemor kichik o‘lchamli nanorobotli aralashmani ichadi va ular qon oqimiga singib ketadi. Eng kichik qon tomirlari bo‘ylab aylanish orqali nanorobotlar organizmdagi barcha muammolarni hal etadi. Ushbu nanozarralar orqali xatto inson DNK tuzilmasini ham faollashtirish mumkin. Bunda, kasallikka olib keluvchi mutatsiyalarning oldini olish imkoniyati tug‘iladi. Shuningdek, shunday nanosensorlar yaratildiki, u bir vaqtning o‘zida bir necha viruslarni aniqlashi bilan farqlanadi. Bunday qurilmalar tibbiy diagnostikada muvaffaqiyatli qo‘llanilishi mumkin. Bundan tashqari, DNKning ma’lum ketma-ketligini aniqlovchi nanosensorlar ham mavjud. Bunday nanosensorlar orqali mutatsiyaga uchragan genlarni 75% hollarda aniqlash mumkin. Nanosensorning istiqbolli yo‘nalishlaridan yana biri o‘sma kasalliklar diagnostikasidir. Bu usul o‘sma oqsillarni aniqlab, davolash samaradorligini baholashda qo‘llanilishi mumkin. Biochiplar – organizmdagi bikimyoviy o‘zgarishlarga sezgir bo‘lgan juda kichik qurilmalardir. Bu biologik makromolekulalar (DNK , oqsillar , fermentlar, hujayralar) ustiga surtiladigan matritsa bo‘lib, bog‘lash xususiyatiga ega. Xozirgi vaqtda genetik tekshiruvlar va hujayralarni tekshirish uchun ishlatiladigan biochiplar mavjud. Ma’lum molekula(oqsillar)ning mavjudligini tekshirish uchun suyuqliklarning butun oqimi maxsus tutqichlar tarmog‘i orqali o‘tkaziladi. Chipdagi shtrix kodning har bir chizig‘i maxsus antitelolar bilan qoplangan bo‘lib, ular o‘zida sozlangan molekulalarni ushlab qoladi. Qon chiziqlar bilan ta’sirlashganidan so‘ng chip tekshiriladi. Shunda oqsillarni ushlab qolgan chiziqlar qizil rangli fluoressent nur chiqaradi. Keyin mikroskopda chipni tekshirib va maxsus kartaga qarab bu namunada qanday oqsillar borligini aniqlasa bo‘ladi. Mikrochiplarning amaliyotda qo‘llanilishi bugungi kunda quyidagi masalalarni yechishga yordam beradi:

- aniq tashxis qo‘yish; - kasallik borishini, genlarni aniqlash, davolashni aniq organga yo‘naltirish; - arzon va oddiy mikrochiplarni yaratish;- o‘nlab, yuzlab genlarni aniqlovchi mikrochiplarni yaratish.

Nanokompyuterlar yordamida hujayra va subhujayra darajasida tashxis qo‘yish mumkin. Nanotexnologiyalar fizika qonunlarini buza olmaydi. Shuning uchun nanotibbiyotning chegaralari mavjud. Nanorobotlar birdaniga besh yilda yoki uch yilda bir marotaba inson organizmini ko‘rikdan o‘tkazib, organinning kasallangan qismlarini davolashi mumkin.





Quyida nanotexnologiyalarning yutuqlari to‘g‘risida bir nechta xulosalarni keltirishimiz mumkin:

Inson 125 yil hayot kechirishi mumkin. Nanotibbiyotning yutuqlaridan biri biologik qarishni to‘xtatishdir.

1. Nanorobotlar-kelajak nanomashinalar avlodi. Ular tashqi muhitni sezib, uning o‘zgarishlariga moslashadi, qiyin hisob kitoblarni amalga oshiradi, molekulalarni yig‘adi va ta‘mirlaydi.

2. Nanokomyuterlar - ular yordamida nanorobotlar boshqariladi.

3. Hujayra regeneratsiyasi - organizim hujayralari juda kichik bo‘lgani uchun davolash juda murakkab. Lekin nanotexnologiyalar yordamida bu ish oson amalga oshadi.

4. Qarilik. Nanoqurilmalar qarishning ba‘zi alomatlarini yo‘qotishi mumkin. Masalan, lazer texnologiyasi hozirgi vaqtning o‘zida ajinlar va dog‘larni ketkazadi. Kelajakda kuchli nanotexnologiyalar yordamida bu alomatlarni butunlay yo‘qotishga imkon beradi.

5. Saratonni davolash. Bugungi kunda nanotexnologiyalar bu kasalliklarni davolashda muvaffaqiyatli qo‘llanilib kelinmoqda. Nanoqurilmalarning funksiyasini bevosita saraton hujayralarga yo‘naltirilsa bo‘ladi. Bunda faqat saraton hujayralari yo‘qotilib, sog‘ hujayralarga zarar yetkazilmaydi.

6. Yurak, qon-tomir sistemasining kasalliklari, yurak to‘qimalarining kasallangan qismini regeneratsiya qilish mumkin.

7. Teskari nanosensor aloqa. Nanochiplar o‘z tanasini his qilmaydigan insonlarga foydali bo‘lishi mumkin. Buning uchun nanochiplar elektr impulslarini qayd qiladi va qayta ishlaydi.

8. Qandli diabet. Qondagi qand miqdorini tekshirish uchun qon olmasdan maxsus linzalar ishlatiladi. Rangining o‘zgarishiga qarab xulosa chiqarsa bo‘ladi.

9. Tibbiy nazorat. Nanotexnologiyalar yordamida organizimning turli sistemalarini nazorat qilish mumkin. Tanaga implantatsiya qilingan nanochip sog‘liqni tekshirib, kompyuter yoki boshqa qurilmaga olingan axborotni uzatib turadi.

**Xulosa qilib aytganda** nafaqat tibbiyotni, balki barcha sohalarni zamonaviy texnologiyalarsiz tasavvur qilib bo‘lmaydi. Zamonaviy texnologiyalar va nanotexnologiyalar bor ekan biz rivojlanmoqdamiz. Nanotexnologiyalar orqali davolash mumkin bo‘lgan bir nechta kasalliklarni sanab o‘tdik, ammo kelajakda

bundanda ko‘p kashfiyotlar tufayli minglab insonlar hayotini saqlab qolish imkoniyati tug‘ilishi mumkin.

**Foydalangan adabiyotlar:**

1. Tibbiy elektronika M.I. Bazarbayev,I. Mullajonov Toshkent -2019
2. Miraxmedov D.A.Avtomatik boshqarish nazariyasi .Toshkent , O‘qituvchi 1993
3. N.R.Yusofbekov va boshqalar.Texnologik jarayonlarni nazorat qilish va avtomatlashtirish.

**Internet saytlari**

1. <http://forca.ru/cpravka.html>
2. <http://vivozora.com.ua/city/zaprozhye/>
3. [http://www.krugosvet.ru/encc/nauka\\_i\\_tehnika/ximiya.html](http://www.krugosvet.ru/encc/nauka_i_tehnika/ximiya.html)
4. [uz.warbletoncouncil.org](http://uz.warbletoncouncil.org)



---

Research Science and  
Innovation House





## MATRITSALARNING IQTISODIY MASALALARGA TADBIIQI

**Ashurova Dilfuza Nabiyevna** – Navoiy davlat pedagogika instituti, p.f.f.d.,  
dotsent

[dilfuz\\_2007@mail.ru](mailto:dilfuz_2007@mail.ru) Tel: +90-731-85-06.

**G‘afforova Sevara Kamol qizi**- Navoiy davlat pedagogika instituti, magistr

**Ubaydullayeva Sabina Shavkat qizi** - Navoiy davlat pedagogika instituti,  
talaba

**Annotatsiya:** Matritsa tushunchasi amaliyotga, xususan, iqtisodchilar va boshqa soha mutaxassislari uchun muhim ahamiyatga ega. Ushbu maqolada matritsalarining ba’zi iqtisodiy masalalarni yechishga tadbiri keltirib o‘tilgan.

**Kalit so‘zlar.** Matritsa, iqtisodiy masala, mahsulot, mahsulot tannarxi, mahsulotlar miqdori, moddiy zahira.

Matritsalar iqtisodiyotda muhim vosita bo‘lib, iqtisodiy faoliyatning turli tomonlarini tahlil qilish va bashorat qilish imkonini beradi. Ular turli iqtisodiy o‘zgaruvchilar orasidagi munosabatlarni aniqlash uchun keng qo‘llaniladi va an’anaviy ma’lumotlarni tahlil qilish usullariga nisbatan aniqroq natijalar beradi.

Matritsalar eksport va import hajmidagi o‘zgarishlarning mamlakat iqtisodiy ko‘rsatkichlariga ta’sirini tahlil qilish imkonini beradi. Umuman olganda, matritsalar iqtisodiy faoliyatni rejalashtirish va tahlil qilishda ham muhim vosita hisoblanadi.

Bir nechta iqtisodiy masalalarni ko‘rib chiqaylik.

**1-masala.** (sonni matritsaga ko‘paytirish) Do‘kon egasi yil oxirida o‘zining  $C_1$ ,  $C_2$ ,  $C_3$ ,  $C_4$  mahsulotlariga 30% chegirmalarni taklif qiladi.

Quyidagi jadvalda do‘konning  $B_1$ ,  $B_2$ ,  $B_3$  filiallari bo‘yicha mahsulotlar zahiralari ko‘rsatilgan. Matritsadan foydalanib, chegirmalardan keyin har bir filialdagi aksiyalarning narxini toping.

	$C_1$	$C_2$	$C_3$	$C_4$
$B_1$	65 000	40 000	55 000	35 000
$B_2$	50 000	30 000	60 000	45 000
$B_3$	70 000	55 000	75 000	50 000

**1-jadval. B<sub>1</sub>, B<sub>2</sub>, B<sub>3</sub> filiallaridagi tovar-moddiy zahiralarning tannarxi**

**Yechim.** 30% chegirma mahsulotlar qiymatining 70% ga sotilishini anglatadi. 1-jadvaldagi ma'lumotlardan foydalanib, biz quyidagi A<sub>1</sub> matritsasini yozishimiz mumkin:

$$A_1 = \begin{pmatrix} 65\,000 & 40\,000 & 55\,000 & 35\,000 \\ 50\,000 & 30\,000 & 60\,000 & 45\,000 \\ 70\,000 & 55\,000 & 75\,000 & 50\,000 \end{pmatrix} \quad (1)$$

Chegirmadan so‘ng aksiyalarning qiymati quyidagicha ifodalanadi:

$$A_2 = 0,7A_1 \quad \text{ya'ni,}$$

$$A_2 = 0,7 \cdot \begin{pmatrix} 65\,000 & 40\,000 & 55\,000 & 35\,000 \\ 50\,000 & 30\,000 & 60\,000 & 45\,000 \\ 70\,000 & 55\,000 & 75\,000 & 50\,000 \end{pmatrix}$$

$$A_2 = \begin{pmatrix} 45\,500 & 28\,000 & 38\,500 & 24\,500 \\ 35\,000 & 21\,000 & 42\,000 & 31\,500 \\ 49\,000 & 38\,500 & 52\,500 & 35\,000 \end{pmatrix} \quad (2)$$

(2) matritsa 30% chegirmadan keyin har bir filialdagi aksiyalarning narxini ifodalaydi.

**2-masala.** (Matritsalarini ko‘paytirishning taqsimot qonuni) Do‘konda mavjud C<sub>1</sub>, C<sub>2</sub>, C<sub>3</sub> mahsulotlar do‘konning ikkita, B<sub>1</sub> va B<sub>2</sub> filiallarida sotiladi. 2-jadvalda sotilgan mahsulotlar soni, mahsulotlar narxi va do‘kon xarajatlari bo‘yicha haftalik ma'lumotlar keltirilgan. Har bir do‘konning haftalik foydasini toping.

	Mahsulotlar soni		Har bir mahsulot narxi	Do‘kon xarajatlari
	B <sub>1</sub>	B <sub>2</sub>		
C <sub>1</sub>	200	250	2.00	1.50
C <sub>2</sub>	350	400	4.00	3.00
C <sub>3</sub>	100	150	5.00	4.00

**2-jadval. C<sub>1</sub>, C<sub>2</sub>, C<sub>3</sub> tovarlarning tannarxi**

**Yechim.** Mahsulotlar miqdori (Q), sotish narxlari (P) va do‘kon xarajatlari (C) matritsa shaklida ifodalanishi mumkin:





$$Q = \begin{pmatrix} 200 & 350 & 100 \\ 250 & 400 & 150 \end{pmatrix}, \quad P = \begin{pmatrix} 2.00 \\ 4.00 \\ 5.00 \end{pmatrix}, \quad C = \begin{pmatrix} 1.50 \\ 3.00 \\ 4.00 \end{pmatrix}$$

$B_1$  filialdagi jami daromad:

$$200 \cdot 2.00 + 350 \cdot 4.00 + 100 \cdot 5.00 = 2300$$

va  $B_2$  filialda:

$$250 \cdot 2.00 + 400 \cdot 4.00 + 150 \cdot 5.00 = 2850$$

Ushbu hisob-kitoblarni ikkita matritsaning ko‘paytmasi sifatida yozish mumkin, ya’ni, umumiy daromad  $Q \cdot P$  ga teng:

$$Q \cdot P = \begin{pmatrix} 200 & 350 & 100 \\ 250 & 400 & 150 \end{pmatrix} \cdot \begin{pmatrix} 2.00 \\ 4.00 \\ 5.00 \end{pmatrix} = \begin{pmatrix} 2300 \\ 2850 \end{pmatrix}$$

Umumiy  $Q \cdot C$  qiymatini ham xuddi shunday topish mumkin:

$$Q \cdot C = \begin{pmatrix} 200 & 350 & 100 \\ 250 & 400 & 150 \end{pmatrix} \cdot \begin{pmatrix} 1.50 \\ 3.00 \\ 4.00 \end{pmatrix} = \begin{pmatrix} 1750 \\ 2175 \end{pmatrix}$$

Daromadni ikkita  $Q \cdot P$  va  $Q \cdot C$  matritsalarini orasidagi farq sifatida topish mumkin:

$$Q \cdot P - Q \cdot C = \begin{pmatrix} 2300 \\ 2850 \end{pmatrix} - \begin{pmatrix} 1750 \\ 2175 \end{pmatrix} = \begin{pmatrix} 550 \\ 675 \end{pmatrix}$$

**3-masala.** (Matritsalarini ko‘paytirishning taqsimot qonuni) Korxonada uchta turdagi  $C_1, C_2, C_3$  mahsulot ishlab chiqariladi va bu mahsulotlarni ishlab chiqarish uchun ikki xil  $K_1$  va  $K_2$  xomashyosidan foydalaniladi. 3-jadvalda har bir turdagi xom ashyo va rejalashtirilgan ishlab chiqarish narxlarini to‘g‘risidagi ma’lumotlar keltirilgan. 3-jadvaldagi ma’lumotlardan foydalanib, xom ashyo xarajatlarini toping.

Xom ashyo turlari	Mahsulotlar soni			Har bir turdagi xom ashyoning narxi
	$C_1$	$C_2$	$C_3$	
$K_1$	5	3	4	80
$K_2$	7	1	2	50
Rejalashtirilgan mahsulotni ishlab chiqarish	160	120	70	

### 3-jadval. $C_1, C_2, C_3$ mahsulotlar soni

**Yechim.** Har bir turdagi xom ashyoning uch xil mahsulot miqdori (A), rejalashtirilgan mahsulot (B) va har bir xom ashyo turining narxi (C) matritsa shaklida taqdim etish mumkin:

$$A = \begin{pmatrix} 5 & 7 \\ 3 & 1 \\ 4 & 2 \end{pmatrix}, \quad B = (160 \quad 120 \quad 70), \quad C = \begin{pmatrix} 80 \\ 50 \end{pmatrix}$$

$K_1$  xom ashyo xarajatlari:

$$5 \cdot 160 + 3 \cdot 120 + 4 \cdot 70 = 1440$$

va  $K_2$  xom ashyo xarajatlari:

$$7 \cdot 160 + 1 \cdot 120 + 2 \cdot 70 = 1380$$

Ushbu hisob-kitoblarni ikkita matritsaning ko‘paytmasi sifatida yozish mumkin, ya’ni. xomashyo tannarxi AB mahsulotiga teng:

$$AB = \begin{pmatrix} 5 & 7 \\ 3 & 1 \\ 4 & 2 \end{pmatrix} \cdot (160 \quad 120 \quad 70) = (1440 \quad 1380)$$

Xom ashyoning umumiy qiymati quyidagilarga teng bo‘ladi:

$$P = 1440 \cdot 80 + 1380 \cdot 50 = 184\,200$$

Ushbu hisob-kitoblarni ikkita matritsaning ko‘paytmasi sifatida yozganda, xom ashyoning umumiy qiymati  $(AB) \cdot C$  ga teng

$$(AB) \cdot C = (1440 \quad 1380) \cdot \begin{pmatrix} 80 \\ 50 \end{pmatrix} = 184\,200$$

**4-masala.** (matritsalarini qo‘shish va sonni matritsaga ko‘paytirish)  $A_1$  va  $B_1$  omborlariga 9 ta bir xil mahsulot har xil miqdorda kelib tushdi. 4-jadvalda mahsulotlar soni bo‘yicha ma’lumotlar keltirilgan. Shartnomaga ko‘ra, har oyda har bir omborga bir xil **partiyalar** yetkazib beriladi. a) tovar importining jami umumiy miqdorini toping; b) tovar importining yillik miqdorini toping.

Mahsulotlar turi	$A_1$ omboridagi mahsulotlar soni			$B_1$ omboridagi mahsulotlar soni		
Idishlar to‘plami (vilkalar, pichoqlar, stakanlar)	14	23	19	12	45	50



Maishiy texnika (choynak, changyutgich va mikroto‘lqinli pech)	38	41	11	17	21	36
Mebel (divanlar, stollar va shkaflar)	8	32	17	15	18	29

#### 4-jadval. $A_1$ va $B_1$ omborlardagi tovarlar soni

**Yechim.** Qulaylik uchun  $A_1$  va  $B_1$  omborlardagi mahsulotlar miqdorini matritsa shaklida taqdim etish mumkin:

$$A_1 = \begin{pmatrix} 14 & 23 & 19 \\ 38 & 41 & 11 \\ 8 & 32 & 17 \end{pmatrix} \quad B_1 = \begin{pmatrix} 12 & 45 & 50 \\ 17 & 21 & 36 \\ 15 & 18 & 29 \end{pmatrix}$$

a) Jami umumiy importni hisoblash uchun  $A_1$  va  $B_1$  matritsalarining yig'indisi olinadi:

$$A_1 + B_1 = \begin{pmatrix} 14 & 23 & 19 \\ 38 & 41 & 11 \\ 8 & 32 & 17 \end{pmatrix} + \begin{pmatrix} 12 & 45 & 50 \\ 17 & 21 & 36 \\ 15 & 18 & 29 \end{pmatrix} = \begin{pmatrix} 26 & 68 & 69 \\ 55 & 62 & 47 \\ 23 & 50 & 46 \end{pmatrix}$$

b) Yillik importni hisoblash uchun sonni matritsaga ko'paytirish shaklida yozib olish mumkin. Yil 12 oydan iborat, shuning uchun biz 12 ni  $A_1+B_1$  matritsaga ko'paytiramiz.

$$12 \cdot (A_1+B_1) = 12 \cdot \begin{pmatrix} 26 & 68 & 69 \\ 55 & 62 & 47 \\ 23 & 50 & 46 \end{pmatrix} = \begin{pmatrix} 312 & 816 & 828 \\ 660 & 744 & 564 \\ 276 & 600 & 552 \end{pmatrix}$$

Matritsalar iqtisodiy masalalarni hal qilishda muhim ahamiyat kasb etadi. Demak, matritsalaridan foydalangan holda ko'pgina iqtisodiy masalalarni qulay va sodda yechish imkoniyatiga ega bo'lish mumkin.

#### Foydalanilgan adabiyotlar:

1. Блинова Ю.Ю., Родина Е.В. Решение экономических задач матричным методом // Современные наукоемкие технологии. – 2014. – № 5-2. – С. 140-142
2. Ахмедханова А.И., Кожемякина В.А., Мамаев И.И. Применение матриц в экономике // Международный студенческий научный вестник. – 2015. – № 3-4.



## Технология подготовки магнитных компонентов для двухстаторного электродвигателя

Бердиев У.Т., к.т.н., профессор, Сулайманов У.Б. -ассистент

Султанов М.У. – студент

Ташкентский Государственный транспортный университет

**Аннотация.** В данной статье рассмотрен вопрос одним из приоритетных направлений научных исследований и технических разработок, связанных с энергосбережением и рациональным потреблением энергии, а также широкое внедрение с высоким удельным расходом магнитных материалов при производстве безотходной технологии изготовления элементов электродвигателя методами порошковой металлургии. Изучены полученные магнитные компоненты для двухстаторного электродвигателя выполнены комплексные исследования магнитных компонентов для изготовления элементов статора и ротора двухстаторного комбинированного электродвигателя.

**Ключевые слова.** Порошковая металлургия, магнитные компоненты, гистерезисные потери, оксидных покрытий, двухстаторного электродвигателя, сердечники, индукция, намагничивания.

**Введение:** Развитие высокоэффективных технологий производства электродвигателей, трансформаторов и других изделий электротехнической промышленности базируется на использовании новых магнитно-мягких материалов, в частности материалов со структурой металл-диэлектрик-металл (МДМ- структурой).

Результаты, указывают на возможность разработки новых магнитных композиционных материалов и перспективность их практического применения для создания различных электротехнических устройств нового типа [1, 4]. Предварительные расчеты показали, что на основе таких материалов можно создавать высокочастотные преобразователи, высокоэффективные осевые электродвигатели и генераторы, магнитные компоненты широкого применения.

Как показано в литературном обзоре [1-9], в настоящее время при





производстве электрических машин в основном используют известные магнитомягкие сплавы. 90% из них составляют электротехнические стали различных типов. Такие материалы практически достигли предела своих физико-механических и эксплуатационных свойств, и для создания нового поколения изделий необходимо использовать совершенно новый класс магнитномягких материалов с улучшенными характеристиками, в качестве которых можно использовать полученные композиты в производстве [2, 3, 6]. Известны двухстаторные асинхронные электродвигатели, управляемые поворотом одного статора относительно другого. Недостатком известных электродвигателей, является их невысокая надежность в режиме регулирования скорости, так как при этом возможен обрыв выводов обмоток. Повысить надежность электродвигателя достигается тем, что один статор выполнен с числом полюсов вдвое больше, чем другой, и сердечником с большим числом пар полюсов выполнен поворотным, явнополюсным с числом полюсов, равным числу полюсов другого статора [5, 6].

Методика нанесения изолирующих покрытий на основе оксида фосфора разработана применительно к задачам настоящей работы на основе способа изготовления композиционного магнитомягкого материала [5, 8, 12], в котором собственно предложена методика добавления в исходный металлический порошок во вращающемся вакуумируемом барабане при давлении 0,15 – 1,5 Па, нагреваемом до температуры расплавления смазки 150-200°C и обработку проводят до получения равномерного распределения смазки в материале в течение 15 – 30 минут, при этом содержание смазки в композиционном материале составляет от 0,01 до 0,1%.

— Из расчетных, и экспериментальных данных установлено, что в зависимости от толщины изоляционного покрытия и размера частиц исходного порошка металлического железа получаемые композиционные материалы можно разделить на два класса: низкочастотные ( $f < 1 \text{ кГц}$ ) и высокочастотные ( $f > 1 \text{ кГц}$ ). Для последующих высокочастотных применений с помощью сепаратора отсеяны порошки с размером меньше 100 мкм, для низкочастотных – с размером больше 100 мкм. После сепарации на поверхность частиц железа наносился изоляционный слой.

Сущность методики поясняется рисунке 1, на котором приведена установка по приготовлению композиционного материала, включающая электропривод вакуумного насоса (1), соединительную муфту (2), вакуумный насос (3), подвижный вакуумный разъем (4), барабан с размещенным в нем композиционным магнитомягким материалом (5), датчик температуры (6), нагреватель (7) и электропривод реактора (8 и 9).

На первом этапе смазка вводится путем смешения ее с изолированным металлическим порошком в шаровых мельницах или других смесителях. Приготовленный со смазкой композиционный материал помещается внутрь барабана. После этого включается вакуумный насос, понижающий давление воздуха внутри барабана с материалом до 0,15 – 1,5 Па. По достижению требуемого вакуума включается нагрев барабана до температуры 150 – 200°C. Процесс обработки порошка продолжается в течение 15 – 30 минут. Охлаждение магнитомягкого материала происходит после выключения нагрева при сохранении вакуума.

Преимуществом данного способа по сравнению с известными является снижение содержания смазки до 0,01 -0,1%, позволяющее получить в дальнейшем качественное прессованное изделие из магнитомягкого композиционного материала с плотностью 7,5 – 7,65 г/см<sup>3</sup> и, как следствие, обладающее высокими магнитными характеристиками [7, 9, 12].

Для нанесения покрытий оксида фосфора на поверхность частиц металлических порошков предложенная методика была модифицирована.

Методика нанесения включала в себя этап предварительного смешивания исходных металлических порошков с заданным количеством реактива, в состав которого входил спиртовой раствор ортофосфорной кислоты в соотношении – 40% H<sub>3</sub>PO<sub>4</sub> +60% этиловый спирт.

На следующем этапе приготовленный порошок помещали в реактор для нанесения изоляционных покрытий (рисунок 1). Обработку порошков с реакционной добавкой проводили в реакционном барабане при давлении от 10<sup>5</sup> до 10<sup>6</sup> Па, нагреваемом до температуры 150 – 200°C в течение 15 – 30 минут. В результате на поверхности частиц железа образовалось сложное по составу покрытие из ферритных соединений и фосфатов. В дальнейшем для получения различных по толщине покрытий на металлических порошках процесс нанесения повторялся 2, 3 и 4 раза.



Предложенный метод капсулированные порошка железа оксидным слоем является высокоэкономичным методом, практически не изменяющим стоимость последнего, и, с позиций получения заданного состава с заданными магнитными параметрами и удельным электросопротивлением, может быть широко использован в практике для получения МДМ-сплавов с особыми магнитными и электрическими свойствами.

Технология изготовления экспериментальных образцов магнитопроводов на основе изолированных порошков магнитных материалов представляет собой многостадийный процесс, включающий следующие основные операции.

1. Операция по предварительной подготовке, пассивации и реакционному нанесению изоляционных покрытий из газовой фазы в вакууме при температуре 150 – 200°C исходных порошков.

2. Операция по смазке изолированного порошка добавлением раствора торфяного воска (Peatwax) в количестве 0,15% от исходного веса порошка.

3. Операция по изготовлению образцов магнитопроводов путем гидростатического прессования изолированных порошков проводится в изготовленных пресс-формах под давлением 8 – 10 т/см<sup>2</sup> при нормальных условиях. Спрессованные изделия подвергаются термообработке и нормализации физических параметров. Отжиг образцов производится при температуре 400 – 450°C в специальных автоклавах в зависимости от требований.

---

# Research Science and Innovation House

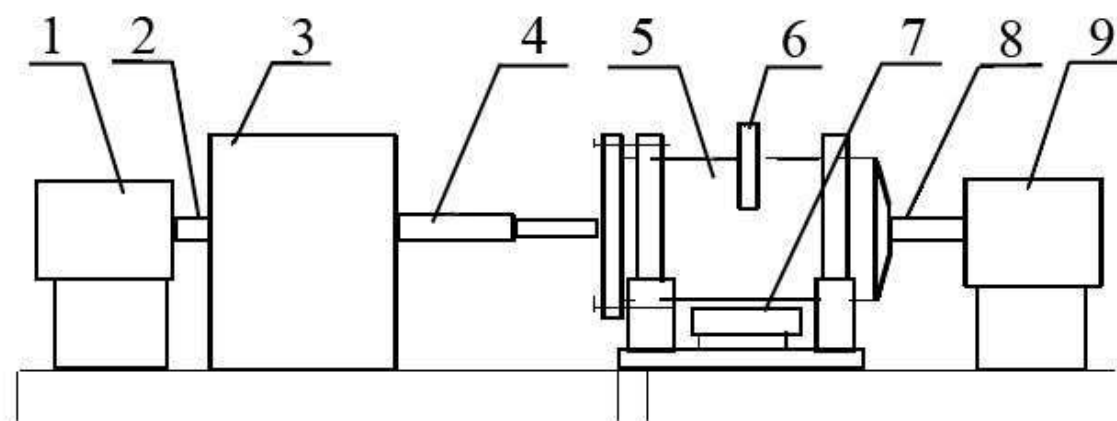


Рисунок 1. – Реактор для нанесения изоляционных покрытий на поверхность порошков

Для исследований изготовлены образцы с использованием железного порошка ASC100.29 с размером частиц  $d > 0,1$  мм и  $d < 0,1$  мм и со средней толщиной изоляции на основе оксида фосфора  $\sim 1$  нм, а также образцы на основе ASC100.29 ( $d < 0,05$  мм) со значениями толщины изоляционного слоя 10, 20, 30 нм.

Измерения магнитных свойств образцов экспериментальных компонентов для статора и ротора выполнялись на экспресс-магнетометре (рисунок 2), где по кривым перемagnичивания образцов определялись потери и остальные магнитные параметры.



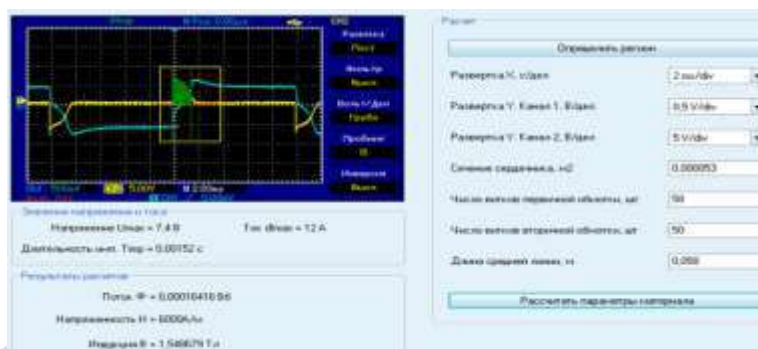
Измерение магнитных характеристик магнитопроводов в широком диапазоне изменения магнитных полей, частот перемagnичивания и температур производились на экспресс-магнетометре. Предварительно для нормировки магнетометра проведены измерения магнитных характеристик на сертифицированном флаксметре. Для нормировки магнетометра использовался также микровеберметра Ф5050. На рисунке 15 приведены основные блоки экспресс-магнетометра, а на рисунке 16 – результаты обработки данных в режиме экспресс флаксметром и магнетометром.



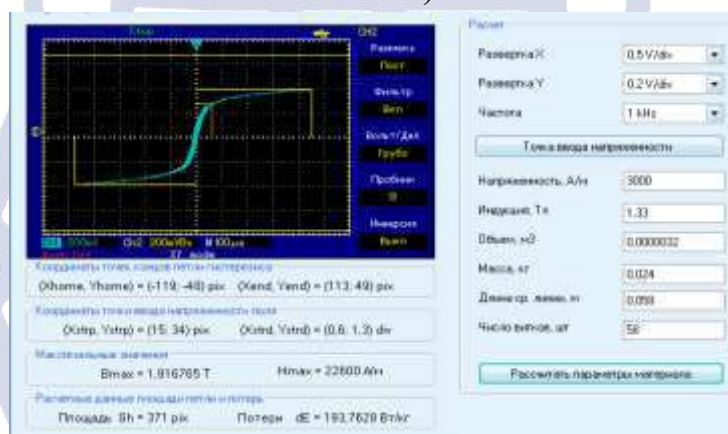
Рисунок 2. – Внешний вид магнетометра

Исследования основных магнитных характеристик магнитопроводов с использованием порошков железа ASC100.29 (Китай, Hognas) проведены в сравнении с аналогичными параметрами для электротехнической стали Э320. Для этой цели изготовлены сердечники  $24 \times 13 \times 10$  мм из ленточной стали и композиционных магнитных материалов плотностью  $\rho = 7,6 \text{ г/см}^3$ . Изучены их статические, динамические магнитные характеристики, определена величина гистерезисных потерь. Образцы магнитопроводов из композиционного магнитного материала подвергались отжигу в вакууме при температуре  $400^\circ\text{C}$  в течение 3 часов. Статические характеристики исследовались с использованием микровеберметра Ф5050, а динамические характеристики и

потери – флаксометром и экспресс-магнетометром в частотном диапазоне до 10 кГц и магнитных полей до 30 кА/м.



а)



б)

Рисунок 3. – Результаты обработки данных в режиме экспресс флаксометра (а) и в режиме экспресс магнетометра (б)

Полевые зависимости намагниченности и потерь на частоте 1 кГц для низкочастотного образца магнитопроводов на основе порошка ASC100.29 при отжиге в вакууме 350°C на протяжении трех часов, приведены на рисунке 4. Из рисунка следует, что сохраняется линейная зависимость в изменении магнитной индукции и величины потерь.

Research Science and  
Innovation House





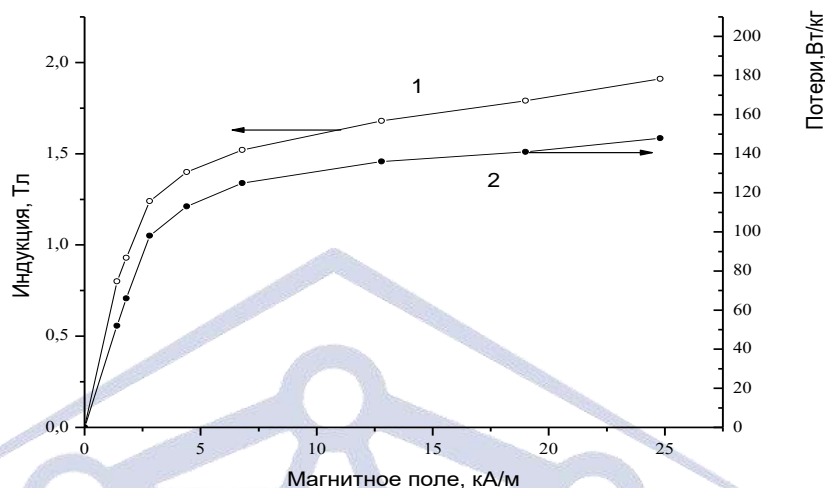


Рисунок 4 – Полевые зависимости намагниченности и потерь на частоте 1 кГц для композиционного материала на основе ASC100.29 (1) и Laiwu Taidong Powder (Китай) (2)

Исследование потерь при перемагничивании образцов магнитопроводов показало, что гистерезисные потери на 25-30% выше для образцов на основе порошков, распыленных воздухом, по сравнению с потерями для магнитопроводов на основе порошков, распыленных водой (рисунок 5).

В целом, сравнительные исследования показали некоторое преимущество в величине потерь на перемагничивание более чистых порошков железа, полученных водно-распылительным методом в сравнении с порошками, распыленными воздухом.

Research Science and  
Innovation House



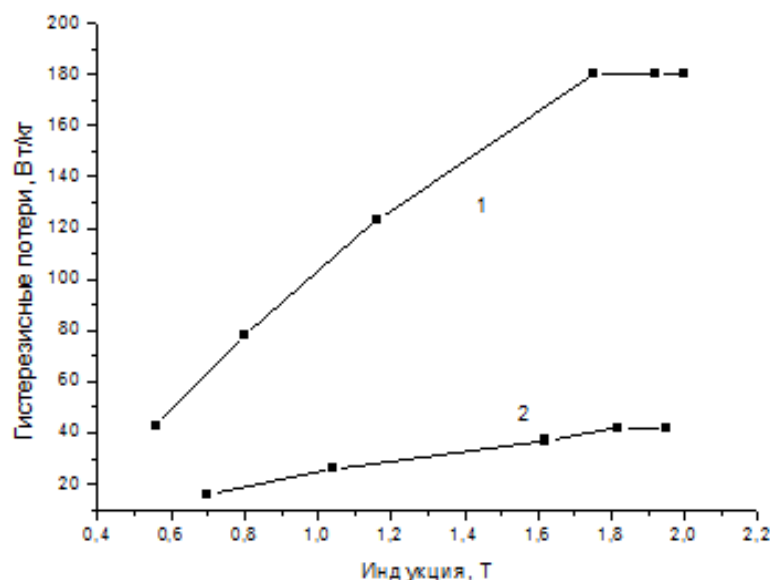


Рисунок 5. – Зависимость потерь от величины индукции для низкочастотного композиционного материала на основе ASC100.29 при перемагничивании по полному циклу – 1 и по частному от нулевой точки – 2 на частоте 1 кГц

Преимущества образцов из композиционного магнитного материала перед электротехнической сталью (рисунок 6.), несомненно, обеспечат самое широкое их применение в электрических машинах повышенной удельной мощности, в особенности с высокой скоростью вращения, где электротехнические стали имеют большие потери.

Анализ экспериментальных данных показал, что плотность магнитных компонентов для двухстаторного комбинированного электродвигателя, полученных методом прессования при давлении 0,7 – 0,8 ГПа, составляет 7,5 – 7,8 г/см<sup>3</sup>. Магнитные компоненты из разработанных композитов имеют величину твердости НВ от 83,16 до 101,86, что выше значения твердости для чистого железа НВ60. Это говорит о том, у изделий повышен предел прочности, а отсутствие трещин говорит о высокой сопротивляемости материала к возникновению и развитию трещин [7, 9].



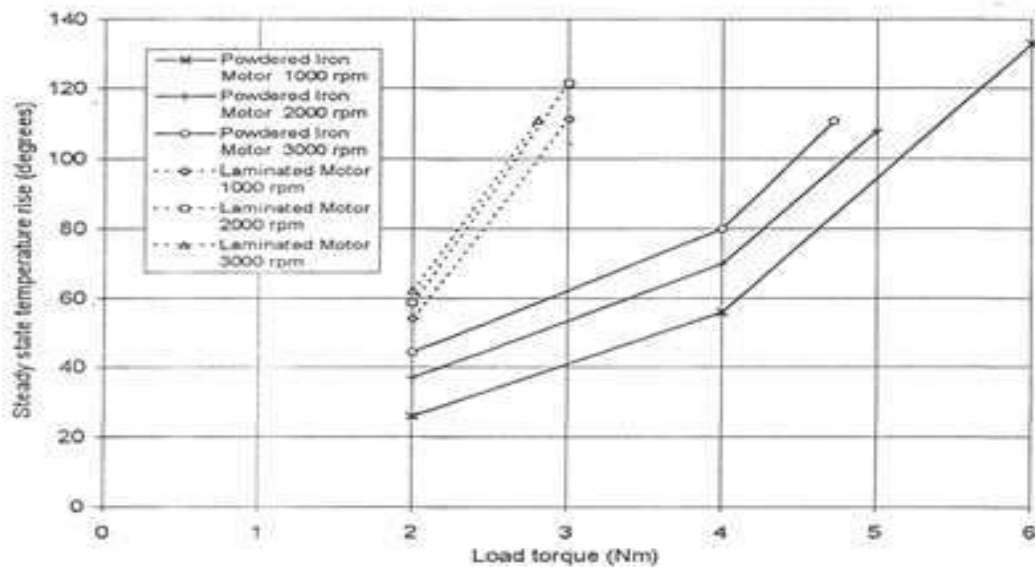


Рисунок 6. – Результаты сравнения нагрева магнитопроводов на основе нового композиционного материала и с использованием электротехнической стали в зависимости от крутящего момента

Из полученных с помощью экспресс-магнетометра полевых зависимостей намагниченности на частоте 1 кГц рассчитаны электромагнитные характеристики магнитных компонентов двухстаторного двигателя. На рисунке 7. приведены полевые зависимости гистерезисных потерь при перемагничивании по полной петле [10, 11]. Во время исследования вихревые токи практически отсутствуют из-за изоляционного покрытия диоксидом титана каждой частицы порошка оксидным слоем.

Research Science and  
Innovation House

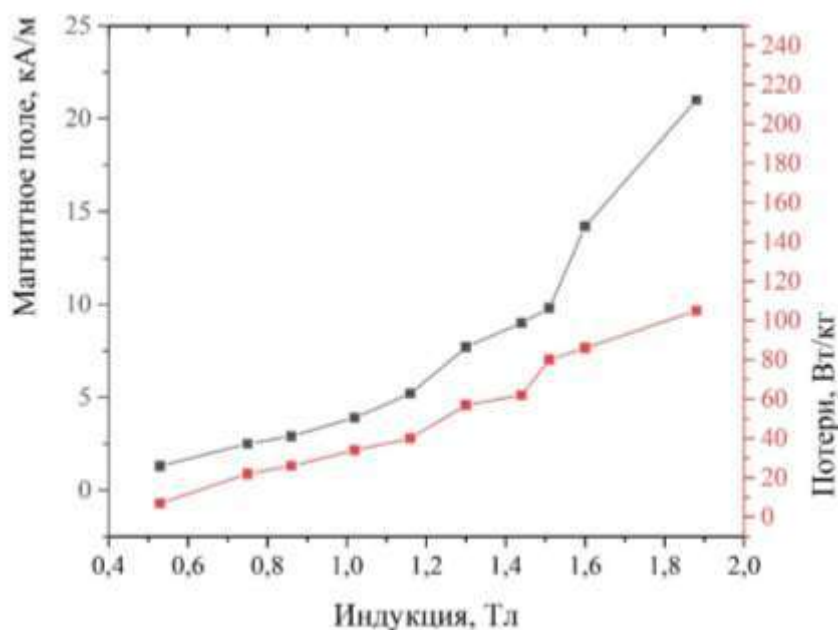


Рисунок 7. – Зависимости намагничивания, измеренные на частоте 1 кГц, и полевые зависимости гистерезисных потерь для композита на основе порошка железа, капсулированного покрытием оксида титана

Таким образом, с увеличением магнитной индукции величина электромагнитных потерь почти линейно возрастает за счёт гистерезисных потерь во всем диапазоне измерений [11, 12].

Для значения индукции  $B = 1,9$  Тл гистерезисные потери в прессованных компонентах составляют порядка  $P = 105$  Вт/кг, что ниже, чем величина аналогичных потерь для электротехнической стали  $P = 120$  Вт/кг. Из анализа данных можно сделать вывод, что компоненты, изготовленные из магнитомягкого композиционного материала, имеют высокое значение магнитной индукции 1,88 Тл в поле 21 кА/м.

Исследования показали, что магнитные компоненты обладают достаточной прочностью и необходимыми электромагнитными характеристиками для создания двухстаторного комбинированного электродвигателя.

#### Выводы:

Проведены комплексные исследования полученных магнитных компонентов для двухстаторного комбинированного электродвигателя.



Плотность изготовленных компонентов составляет  $7,5 - 7,8 \text{ г/см}^3$ . Измерения основных электромагнитных характеристик магнитных компонентов выполнены на экспресс-магнетометре на частоте 1 кГц. При напряженности  $H = 21 \text{ кА/м}$  величина магнитной индукции магнитных компонентов составляет  $B_m = 1,88 \text{ Тл}$ . Величина гистерезисных потерь компонентов составляет порядка  $P = 105 \text{ Вт/кг}$  для значения индукции  $B = 1,9 \text{ Тл}$ , что ниже величины аналогичных потерь для электротехнической стали  $P = 120 \text{ Вт/кг}$ . Комплексные исследования показали, что магнитные компоненты обладают достаточной прочностью и необходимыми электромагнитными характеристиками для создания двухстаторного комбинированного электродвигателя.

### Список использованных литератур

1. Новые материалы и технологии: порошковая металлургия, композиционные материалы, защитные покрытия, сварка: материалы 15-й Междунар. науч.-техн. конф. (Минск 4–6 сент. 2022 г.) / Нац. акад. наук Беларуси [и др.]; редкол.: А.Ф. Ильющенко (гл.ред.) [и др.]. – Минск: Беларуская навука, 2022. – 730 с. – С. 188-191.
2. Structure and morphology of titanium dioxide encapsulated iron powder / A.L. Zhaludkevich, O.F. Demidenko, A.O. Larin, G.A. Govor, U.T. Berdiyev, U.B. Suleimanov, F.F. Hasanov // Book of abstracts of VIII Euro-Asian Symposium “Trends in Magnetism” (EASTMAG-2022) – August 22-26, 2022, Kazan, Russia. – 2022. – Vol. II. – P. 275-276.
3. Energy-saving materials for electrical engineering / U.T. Berdiyev, U.B. Sulaymonov, F.F. Hasanov, O.F. Demidenko // The scientific journal vehicles and roads. – 2022. – №1. – P.131-137.
4. Usan Berdiyev; Ulmasbek Berdiyev; Mukambar Toshpulatova Problems and Tasks of Creating Energy-Saving Electric Machines, AIP Conference proceedings. -5, 2022-yil. <https://doi.org/10.1063/5.0089682>
5. Tuychieva M. Control of electric locomotives with asynchronous electric motors under asymmetric operating conditions in Uzbekistan. // IOP Conf. Series: Earth and Environmental Science 614 (2020) 012060.
6. Use of Hybrid Renewable Energy Systems to Excite Autonomous Synchronous Machines, Pirmatov, N., Muminov, M., Akberdiyev, M., Abdullayev,

- J. AIP Conference Proceedings [this link is disabled](#), 2022, 2432, 0200200
7. Fayzullayev J.S. Improvement of functional diagnostics of asynchronous motors. AIP Conference Proceedings, Uzbekistan. 2023.03. 2612,050034
8. U.T.Berdiev, A.K. Vetcher, F.F.Khasanov, Investigation of the frequency characteristics of composite iron powders with insulating oxide coatings. «Construction Mechanics, Hydraulics and Water Resources Engineering» (CONMECHYDRO – 2021), Узбекистан, Ташкент, 1 – 3 апреля.
9. **A.U. Gapparov, G. A. Govor, U. T. Berdiyev, F. F. Hasanov, and A. M. Kurbanov.** Magnetic-soft materials based on iron for electromechanical engineering, IOP Conf. Series: Earth and Environmental Science 614 (2020) 012048.
10. Nanomodified composite magnetic materials and their molding technologie s/ I. Timoshkov, Q. Gao, G. Govor, A. Sakova, V. Timoshkov, and A. Vetcher /AIP Advances. – 2018. – Vol. 8. – P. 056415-1 – 056415-4.
11. Govor, G.A. A composite soft magnetic material and products on its basis /G.A. Govor, A.K. Vetcher // Proceedings of the 2nd International Conference on Modern Applications of Nanotechnology, Minsk, Belarus, 6-8 May 2015. – P. 094-1 – 094-3.125.
12. G.A. Govor, M. Przybylski, A.K. Vetcher, K.I. Yanushkevich, J. Zukrowski, T.M. Tkachenko, Structure and magnetic characteristics of composites based on encapsulated iron powders ASC100.29, Bulletin of the Fund for Fundamental Research. 1. pp. 105-111. (2020)

---

# Research Science and Innovation House



## TOSHKENTNING ESKI SHAHAR HUDUDINI REKONSTRUKSIYA QILISHNING SHAHARSOZLIK MASALALARI

**J.D. Axmedov**

Arxitektura kafedrası dotsenti, Farg‘ona politexnika instituti, Farg‘ona,  
O‘zbekiston

**B.A.Xaminov**

Arxitektura kafedrası kata o‘qituvchisi, Farg‘ona politexnika instituti, Farg‘ona,  
O‘zbekiston

### **Annotatsiya**

Maqolada, Toshkent shahrining eski shahar hududini qadimgi holatini taxlil qilingan. Uyerdagi mavjud tarixiy obidalar o‘rganilib qayta rekonstruksiya qilish haqida tushunchalar berilgan.

**Kalit so‘zlar:** milliy ensiklopediya, eski shahar, rejaviy birlik, masjid, hovli-karvon saroy, choyxona, temirchilar ustaxonasi, guzarlar.

### **Kirish**

Toshkentning qanday qadimiy va boy o‘tmishi borligini, dunyoda 2200 yillik tarixga ega bo‘lgan shaharlar barmoq bilan sanarli ekanligi hech qachon unitilmaydi. Yillar, asrlar o‘tsa ham, eski o‘rni buzilib ketmagan bo‘lsa ham, bunday qadimiy shaharlarda odamlar tarixiy xotira tuyg‘usini yo‘qotmasdan, ko‘xna manzil va maqsadlarni doimo eslab yuradi Toshkentning o‘n ikki qadimiy darvozasini, ularning Labzak, Qashqar, Qo‘qon, Qaytmas, Beshyog‘och, Komolon, Samarqand, Ko‘kcha, Chig‘atoy, Sag‘bon Qorasuv va Taxtapul degan nomlarini halqimiz hozirga qadar yodidan chiqarmay kelayotgani ham bu fikrni tasdiqlab turibdi [1-3]. O‘zbekiston milliy entsiklopediyasining Toshkent haqidagi ma‘lumotlariga asosan Toshkent 1865-yilda Rossiya imperiyasi tasaruffiga o‘tgandan so‘ng, Anhorning chap sohilida yangi shahar qurila boshlangan. Eski shahar nomi yangi shahar nomiga teskari tarzda vujudga kelgan. Eski shahar hududi shimoldan Kalkauz kanali, g‘arbdan Anhor kanali, sharqdan Ko‘kcha kanali va janubdan Zax kanali bilan chegaralangan bo‘lgan Barchamizga malumki, sobiq sovet davrida, ayniqsa, 1966 yilgi Toshkent zilzilasidan keyin uzoqni o‘ylamasdan, palapartish qilingan ishlar



tufayli poytaxtimiz rivoji bilan bog‘liq ko‘pgina muammolar to‘planib qolgan edi. Kaltabinlarcha olib borilgan ishlar tufayli, Toshkentning betakror tabiatiga katta zarar yetkazilgan, ko‘pgina bog‘lar buzib tashlangan, ariq va buloqlar ko‘milib, ularning o‘rnida iqlim sharoitimizga mutlaqo to‘g‘ri kelmaydigan, bir-biriga o‘xshashmaydigan ko‘p qavatli temir-beton uylar, ishlab chiqarish korxonalari o‘ylamay qurib tashlanadi. Yaqin o‘tmishdagi ana shunday achchiq tajribalar shundan dalolat beradiki, shaharsozlikda yetti marta emas, yetmush marta o‘lchab, bir kesish kerak [4-6].

**Asosiy qism.** Eski turar-joy uylarining rejaviy tavsifi, texnik holati va konstruktiv yechimi aholining o‘sha davrdagi ijtimoiy-iqtisodiy qatlamlari ya‘ni boylar, o‘rta hollar va kambag‘allar bilan bevosita bog‘liq. Shaharlarda istiqomat qiluvchi aholining jamiyatda tutgan o‘rniga ko‘ra yirik tadbirkorlar, amaldorlar, savdogarlar, diniy arboblari (domla, imom va hokazo), hunarmandlar va qora ishchilarga ajratilgan. Ularning turmush tarzi, yashash sharoiti ham shunga yarasha bo‘lgan. Shahardagi turar joy uylarining asosiy rejaviy birligi mahalla hisoblanib, uning aholisi yashash va birgalikda hamkorlikning nihoyat barqaror qonunlari bilan bog‘langan. XX asr boshlarida Toshkentda bunday mahallalarning soni 200 dan ortiq bo‘lgan. Ular kasb-hunar yoki milliy belgilarga ko‘ra ajralgan. Ularning aksariyat nomlari ham yuqorida zikr etilgan voqelikning isbotidir. Masalan: Degrez mahallasi, metall-quyuvchilar yashash joyi, o‘qchi-mahallasi, qurol yarog‘ ishlab chiquvchilar yashash joyi va hokazo. Boshqa mahallalar esa ularga asos soluvchilarning mulky mansubligini ko‘rsatuvchi belgi bilan, xususan: Tojik mahalla-tojiklarga, Qozoq mahalla-qozoqlarga, Oxunguzar- oxunlarga va boshqalar. Lekin ko‘pchilik hollarda mahallaning nomi diqqatga sazovor joylarning yoki hududlarida joylashgan masjid yoki mozar nomlari bilan atalgan. Mahalla o‘zining oqsoqoli, mirobidan iborat ma‘muriyatga, shahar tashqarisida yer hududi va jamoat markaziga ega bo‘lgan bir kichik olam sanalgan. Jamoat markazi odatda masjididan, atrofida ko‘kalamzoriyashtirilgan maydoncha va loydan barpo etilgan supa va hovuzdan iborat. Aksariyat hollarda bir necha mahalla umumiy savdo-hunarmandchilik va madaniy markazlarga ega bo‘lgan. Bunday markazlar guzarlar deb atalib asosiy magistral ko‘chalarda yoki ularning kesishgan joylarida joylashganlar. Guzarlarda jamoat ahamiyatiga ega bo‘lgan inshootlar katta qismni tashkil etgan. Unda anchagina odam sig‘adigan masjid (bu yerda madrasa ham bo‘lishi mumkin), keldi-ketdi hovli-karvon saroy, choyxona, temirchilar ustaxonasi,





sartaroshxona, uncha katta bo‘lmagan bozorchaning peshtaxtalari bor. Guzarlar o‘tkinchi yo‘lovchilarga, atrof mahallalar aholisiga xizmat ko‘rsatgan. Shu bilan bir vaqtda guzarlar mahallalarni yagona yirik hududiy rayonga birlashtiradi. Eski Toshkent turar-joy uylari ichida ko‘p xonadonli turar-joy binosi uchramasdi. Agar qandaydir bir sabab bilan shaharlik o‘z uyidan mahrum bo‘lsa, u holda karvon saroylardagi bo‘m-bo‘sh xujralarda yashashga yoki boshqalarning ishlab-chiqarish yoki omborxonalar joylarini vaqtincha olishga majbur bo‘lardi. Shahardagi barcha turar-joy uylari ayrim oilalarga tegishli bo‘lgan yakkahol xususiy uylar tizimini ifodalagan. Binobarin ko‘cha tarafdan qaraganda boylarning turar-joy uylari kambag‘allarning uylaridan keskin farq qilmagan. Tashqi tomondan ular yuzasi kulrang tekis derazalarsiz devorlar bilan o‘ralgan. Ular faqatgina turli darajada kenglikka va ko‘rinishga ega bo‘lgan kirish darvoza-eshiklari bilan farqlanardi. Asosiy ko‘chalarda devorlarning uzluksiz tekisligini ko‘pdan-ko‘p savdo va hunarmandlar do‘konlarining keng oraliqlariga ajratib turardi. Turar - joy uylarining derazalari ko‘cha tarafdan faqatgina ikkinchi qavatdagina ochilishi mumkin bo‘lgan. Boylarning uylari kambag‘allarnikidan o‘zining rejaviy holati, xonalarning o‘lchamlari, ularning soni va ichki badiiy pardozining tashqi dunyodan to‘la ajratilganligidadir. Xatto kirish yo‘laklari tasodifan o‘tayotgan kimsaning nazari ichkariga tushmasligi uchun tirsakli ko‘rinishga ega bo‘lgan. Uylarning hajmiy-rejaviy yechimida hovlini ikki qismga tashqi, mehmonlar uchun va ichki, xos xonalarga bo‘linishi majburiy shart bo‘lib, bu ko‘rinish davlatmandligiga ko‘ra turlicha ifodalangan. Katta boylar xonadoni atrofida xonalari bo‘lgan tashqari va ichkari hovlidan tashkil topgan mustaqil teng huquqli ikki hovlidan iborat bo‘lsa, kambag‘allarning hovlisi ko‘p hollarda tashqi hovlisiz bo‘lgan. Lekin tashqi dunyodan ajratilgan xonaning bo‘lishi shart edi. Uylarning bunday ajratilishi XIX va XX asrlarning boshlari uchun ijtimoiy ahamiyatga ega, zero bunday hodisa ayollarning jamoatdagi o‘rni bilan izohlanadi, ya‘ni ayollarga begona erkakning nazari tushishi mumkin bo‘lmagan. Turar-joy uylarining hajmiy kompozitsiyasi va rejalashuvi ham har xil bo‘lgan. Bunda birorta takrorlanish holatini uchratmaysiz, lekin bu uylarning tuzilishida qandaydir umumiy qonuniyat bor.

Shaharning eski zichroq qismida ko‘chaning sathi atrof uylarning asoslari sathidan anchagina past bo‘lib, muqaddam buzilgan inshootlarning asosiga joylashgan. Shu sababli ko‘pincha uylarning tashqi qismi sathi bilan barobar joylashib, ichkari qism bilan ikkinchi qavat sathida birlashgan, u yerdan uyning



ichkari qismiga olib boruvchi yo‘l o‘tgan. Huddi shu yerda otxona va arava saqlanadigan yopiq xona joylashgan. Agar uy savdogarga yoki hunarmandga qarashli bo‘lsa, u holda ba‘zan savdo xonasi yoki hunar ustaxonasi bo‘lgan. Hunarmandchilik mahsulotlarini tayyorlash (o‘ziga xos sharoit hamda ayollar mehnatini qo‘llash to‘quvchi, kashtachi va boshqalar)-kulolchilik, terichilik buyumlari va shu kabilarni ko‘chadan ajratilgan xonalarda amalga oshiriladi. Tashqari xovlining ikkinchi qavatida bir-ikkita yashash uylari, maydachuydalar uchun ombor va albatta mehmonlar uchun yaxshilab bezatilgan mehmonxona joylashgan. Odatda, ikkinchi qavatda markaziy tashkillashtiruvchi rejaviy qism bo‘lgan. Bu ko‘cha tarafga qaragan, ochiq yoki panjarali ayvon. Ba‘zan bu yerda uncha katta bo‘lmagan atrofi yog‘och ustunlarda turuvchi yo‘lakchali ravon bo‘lishi mumkin. Ammo ko‘pincha ikkinchi qavatning markazida ichki sahnga ega yopiq hovliro‘ya bo‘lib, uning yuqori qismidagi ko‘tarilgan fonar yorug‘lik bilan taminlar edi. Turar-joy uyining ichki qismini asosiy funksional va rejaviy unsuri-ochiq hovli hisoblanardi. Bu erda, yoz kunlari ovqat tayyorlashning asosiy jarayonlari bajarilar, ochiq ayvonda o‘tirib quyosh botganidan so‘ng kechgi salqinda dam olinar, ovqat yeyilardi, shu yerda oila a‘zolari tungi uyquga yotishlari mumkin edi.

Aytish joizki, paxsa devor faqat yoz chillasi arafasida tiklangan deyishadi. Boshqa mahal paxsa devori tiklanmagan. Yoz chillasini ko‘rmay urilgan paxsa devori devor hisoblanmagan. E‘tibor bering, loy bo‘lagini yopishtirishda kuch bilan 40-50 sm balandlikdan uriladi va musht bilan yuzasi va chetlari ostki bo‘laklarga yopishtiriladi. Bunda ostki bo‘laklar kesishmasi chiziqlari ustiga qoplama qilib urib tikilanadi. Eski turar-joy uylarining rejaviy tavsifi, texnik holati va konstruktiv yechimi aholining o‘sha davrdagi ijtimoiy-iqtisodiy qatlamlari ya‘ni boylar, o‘rta hollar va kambag‘allar bilan bevosita bog‘liq. Shaharlarda istiqomat qiluvchi aholining jamiyatda tutgan o‘rniga ko‘ra yirik tadbirkorlar, amaldorlar, savdogarlar, diniy arboblari (domla, imom va hokazo), hunarmandlar va qora ishchilarga ajratilgan. Ularning turmush tarzi, yashash sharoiti ham shunga yarasha bo‘lgan.

Shahardagi turar joy uylarining asosiy rejaviy birligi mahalla hisoblanib, uning aholisi yashash va birgalikda hamkorlikning nihoyat barqaror qonunlari bilan bog‘langan. XX asr boshlarida Toshkentda bunday mahallalarning soni 200 dan ortiq bo‘lgan. Ular kasb-hunar yoki milliy belgilarga ko‘ra ajralgan. Ularning aksariyat nomlari ham yuqorida zikr etilgan voqelikning isbotidir. Masalan: Degrez mahallasi, metall-quyuvchilar yashash joyi, o‘qchi-mahallasi, qurol yarog‘ ishlab





chiquvchilar yashash joyi va hokazo. Boshqa mahallalar esa ularga asos soluvchilaming milky mansubligini ko'rsatuvchi belgi bilan, xususan: Tojik mahalla-tojiklarga, Qozoq mahalla-qozoqlarga, Oxunguzar-xunlarga va boshqalar. Lekin ko'pchilik hollarda mahallaning nomi diqqatga sazovor joylarning yoki hududlarida joylashgan masjid yoki mozor nomlari bilan atalgan. Mahalla o'zining oqsoqoli, mirobidan iborat ma'muriyatga, shahar tashqarisida yer hududi va jamoat markaziga ega bo'lgan bir kichik olam sanalgan. Jamoat markazi odatda masjiddan, atrofida ko'kalamzoriastirilgan maydoncha va loydan barpo etilgan supa va hovuzdan iborat. Aksariyat hollarda bir necha mahalla umumiy savdo-hunarmandchilik va madaniy markazlarga ega bo'lgan. Bunday markazlar guzarlar deb atalib asosiy magistral ko'chalarda yoki ularning kesishgan joylarida joylashganlar. Guzarlarda jamoat ahamiyatiga ega bo'lgan inshootlar katta qismni tashkil etgan. Unda anchagina odam sig'adigan masjid (bu yerda madrasa ham bo'lishi mumkin), keldi-ketdi hovli-karvon saroy, choyxona, temirchilar ustaxonasi, sartaroshxona, uncha katta bo'lmagan bozorchaning peshtaxtalari bor. Guzarlar o'tkinchi yo'lovchilarga, atrof mahallalar aholisiga xizmat ko'rsatgan. Shu bilan bir vaqtda guzarlar mahallalarni yagona yirik hududiy rayonga birlashtiradi. Eski Toshkent turar-joy uylari ichida ko'p xonadonli turar-joy binosi uchramasdi. Agar qandaydir bir sabab bilan shaharlik o'z uyidan mahrum bo'lsa, u holda karvon saroylardagi bo'm-bo'sh xujralarda yashashga yoki boshqalarning ishlab-chiqarish yoki omborxonajoylarini vaqtincha olishga majbur bo'lardi. Shahardagi barcha turar-joy uylari ayrim oilalarga tegishli bo'lgan yakkahol xususiy uylar tizimini ifodalagan. Binobarin ko'cha tarafdan qaraganda boylarning turar-joy uylari kambag'allarning uylaridan keskin farq qilmagan. Tashqi tomondan ular yuzasi kulrang tekis derazalarsiz devorlar bilan o'ralgan. Ular faqatgina turli darajada kenglikka va ko'rinishga ega bo'lgan kirish darvoza-eshiklari bilangina farqlanardi. Asosiy ko'chalarda devorlarning uzluksiz tekisligini ko'pdan-ko'p savdo va hunarmandlar do'konlarining keng oraliqlarigina ajratib turardi. Turar - joy uylarining derazalari ko'cha tarafdan faqatgina ikkinchi qavatdagina ochilishi mumkin bo'lgan. Boylaming uylari kambag'allarnikidan o'zining rejaviy holati, xonalarning o'lchamlari, ularning soni va ichki badiiy pardozining tashqi dunyodan to'la ajratilganligidadir. Xatto kirish yo'laklari tasodifan o'tayotgan kimsaning nazari ichkariga tushmasligi uchun tirsakli ko'rinishga ega bo'lgan. Uylarning hajmiy-rejaviy yechimida hovlini ikki qismga tashqi, mehmonlar uchun va ichki,

xos xonalarga bodinishi majburiy shart bo‘lib, bu ko‘rinish davlatmandligiga ko‘ra turiicha ifodalangan. Katta boylar xonadoni atrofida xonalari bo‘lgan tashqari va ichkari hovlidan tashkil topgan mustaqil teng huquqli ikki hovlidan iborat bo‘lsa, kambag‘allarning hovlisi ko‘p hollarda tashqi hovlisiz bo‘lgan. Lekin tashqi dunyodan ajratilgan xonaning bo‘lishi shart edi.

Uylarning bunday ajratilishi XIX va XX asrlarning boshlari uchun ijtimoiy ahamiyatga ega, zero bunday hodisa ayollarning jamoatdagi o‘mi bilan izohlanadi, ya’ni ayollaiga begona erkakning nazari tushishi mumkin bo‘lmagan. Turar-joy uylarining hajmiy kompozitsiyasi va rejalashuvi ham har xil bo‘lgan. Bunda birorta takrorlanish holatini uchratmaysiz, lekin bu uylarning tuzilishida qandaydir umumiy qonuniyat bor. Shaharning eski zichroq qismida ko‘chaning sathi atrof uylarning asoslari sathidan anchagina past bo‘lib, muqaddam buzilgan inshootlarning asosiga joylashgan. Shu sababli ko‘pincha uylarning tashqi qismi sathi bilan barobar joylashib, ichkari qism bilan ikkinchi qavat sathida birlashgan, u yerdan uyning ichkari qismiga olib boruvchi yo‘l o‘tgan. Huddi shu yerda otxona va arava saqlanadigan yopiq xona joylashgan. Agar uy savdogarga yoki hunarmandga qarashli bo‘lsa, u holda ba’zan savdo xonasi yoki hunar ustaxonasi bo‘lgan. Hunarmandchilik mahsulotlarini tayyorlash (o‘ziga xos sharoit hamda ayollar mehnatini qo‘llash-to‘quvchi, kashtachi va boshqalar) -kulolchilik, terichilik buyumlari va shu kabilarni ko‘chadan ajratilgan xonalarda amalga oshiriladi. Tashqarining ikkinchi qavatida bir-ikkita yashash uylari, maydachuydalar uchun ombor va albatta mehmonlar uchun yaxshilab bezatilgan mehmonxona joylashgan. Odatda, ikkinchi qavatda markaziy tashkillashtiruvchi rejaviy qism bo‘lgan. Bu ko‘cha tarafga qaragan, ochiq yoki panjarali ayvon. Ba’zan bu yerda uncha katta bo‘lmagan atrofi yog‘och ustunlarda turuvchi yo‘lakchali ravon bo‘lishi mumkin. Ammo ko‘pincha ikkinchi qavatning markazida ichki sahnga ega yopiq hovliro‘ya bo‘lib, uning yuqori qismidagi ko‘tarilgan fonar yorug‘lik bilan ta’minlanadi. Turar-joy uyining ichki qismini asosiy funksional va rejaviy unsuri-ochiq hovli hisoblanardi. Bu erda, yoz kunlari ovqat tayyorlashning asosiy jarayonlari bajarilar, ochiq ayvonda o‘tirib quyosh botganidan so‘ng kechld salqinda dam olinar, ovqat yeyilardi, shu yerda oila a’zolari tungi uyquga yotishlari mumkin edi.

Aytish joizki, paxsa devor faqat yoz chillasi arafasida tiklangan deyishadi. Boshqa mahal paxsa devori tiklanmagan. Yoz chillasini ko‘rmay urilgan paxsa devori devor hisoblanmagan. E’tibor bering, loy bodagini yopishtirishda kuch bilan





40-50 sm balandlikdan uriladi va musht bilan yuzasi va chetlari ostki bo‘laklarga yopishtiriladi. Bunda ostki bo‘laklar kesishmasi chiziqlari ustiga qoplama qilib urib tikilanadi.

### **Xulosa**

Eski shahar uzoq yillik tarixga ega shahar, eski shahar atamasi yangi zamonaviy shahar qurilgandan so‘ng vujudga kelgan. Eski shahar tarixda keng ko‘chalar va tartibli qurilgan turar-joy xonadonlaridan iborat bo‘lgan lekin zamonlarning o‘zgarishi, davlat to‘ntarilishlari, aholi sonining ortishi, qurilishning nazorat qilinmaganligi oqibatida pala-partish joylashgan xonadonlar va tor ko‘chalar vujudga kelgan Moziyda qurilgan xonadonlar aholining turmush shart-sharoitidan kelib chiqqan holda bunyod etilgan. Xonadonlar asosan xalqa beminnad xizmat qiluvchi hunarmand quruvchi ustalarning yillar davonida orttirilgan bilimlari va mehnatlari yordamida bunyod etilgan.

Asosan uylarning hajmiy-rejaviy yechimida hovlini ikki qismga tashqari va ichkari hovlidan tashkil topgan mustaqil teng huquqli ikki hovlidan iborat bo‘lgan, kambag‘allarning hovlisi ko‘p hollarda tashqi hovlisiz bo‘lgan. Xonadonlar qurilishda mahaliy aholi devorlar uchun qurilish ashyolari sifatida paxsa va sinch devorlardan, poydevorlarni tabiy toshlardan, tom uchun yog‘och to‘sinlardan foydalanishga va bu homashyolar aholining o‘z hovlilaridan olingan.

Hududda O‘zbekiston tarixi uchun muhim ahamiyatga ega bo‘lgan tarixiy obidalar mavjud. Bu obidalarining kelib chiqish tarixi hudud tarixi bilan chambarchas bog‘liq. Hudud vujudga kelgan binolar zilzilabardoshliligi amaldagi me‘yoriyqoidalar asosida vizual ko‘rikdan o‘tkazilganda binolarning ko‘pchiligining zilzila bardoshliligi qoniqarsiz darajada ekaligi ma‘lum bo‘ldi Hududdagi ba‘zi binolarni eski me‘yoriy qoidalar asosida loihalashtirilganligi va ularni amaldagi me‘yoriy hujjatlarga asoslanib zilzilabardosh emas deyishimiz mumkin. Hududda chiqindini chetlatish tizimi yaxshi yo‘lga qo‘yilmaganligi ma‘lum bo‘ldi Kanal va ariqlarning sanitar holati qoniqarsiz holga kelib qolganligi malum bo‘ldi. Hududda transport tizimi shakillanishi amaldagi me‘yoriy hujjatlarga asoslanib talablarga javob bermaydi deyishimiz mumkin. Aksariyat binolarning tez yonuvcha qurilish ashyolaridan bunyod etilganligi va binolarning bir-biridan yetarli uzoqlikda joylashmaganligi aniqlandi. Hudud ko‘cha va yo‘llarida avto transportda harakatlanishning qiyninligi oqibatida o‘t ochiruvchilarning o‘z vaqtida yetib kelishlarini qiynlashtiradi. Shaharsozlik me‘yori va qoidalariga asoslanib

aholi turmush tarzi sifatini oshirish uchun hudud bosh rejasi uchun taklif va loyihalar ishlab chiqildi. Hudud bosh reja tarxida magistral yo‘llar atrofiga besh qavatli turar joy binolari, ichki hududda ikki qavatli, yakka tartibli xonadonlar va aholiga ma’ishiy hizmat ko‘rsatish binolari loyihalandi. Hududda ko‘kalamzor maydonlar loyihalandi.

#### Foydalanilgan adabiyotlar

1. Rahimov B, Qosimova S, Yodgorov A. (2003). Shaharlarni rejalashtirish, qurish va rekonstruksiya qilish. Uslubiy ko‘rsatma va vazifalar. Toshkent.
2. Rahimov B X., Qosimova S.T., Shojalilov Sh. (2008). Bino va inshootlar rekonstruksiyasi. Darslik, Toshknet.
3. Kosimova, S. (2022). Formation And Principles of Landscape Architecture of the Ancient City of Samarkand. *Journal of Architectural Design*, 5, 17-21.
4. Kosimova, S. (2023). Opportunities and problems in increasing energy efficiency of buildings in the conditions of the climate of Uzbekistan. *International Journal of Advance Scientific Research*, 3(04), 26-35.
5. Kosimova, S. (2020). Тарихий обидалар атрофида боғ-парк ландшафт дизайнини шакллантириш тамойиллари. *Scienceweb academic papers collection*.
6. Qosimova, S. F. (2022). O‘zbekiston tarixiy shahar markazlarini qayta tiklash va arxitekturaviy rivojlanishi. *Scienceweb academic papers collection*.

---

# Research Science and Innovation House



## OMMAVIY VA YAKKA TARTIBDA BUYURTMA BO‘YICHA TIKILADIGAN KIYIMLARNI YOQALARINI LOYHALASH XUSUSIYATLARI

**Berdieva Ra’no Abduqodirovna**

Assistent, Farg‘ona politexnika instituti, Farg‘ona, O‘zbekiston

E-mail: [ranoberdievahon@gmail.com](mailto:ranoberdievahon@gmail.com)

**Begmatov Dovurbek Begmat o‘g‘li**

108-23 guruh talabasi, Farg‘ona politexnika instituti, Farg‘ona, O‘zbekiston

E-mail: [dovurbekbegmatov013@gmail.com](mailto:dovurbekbegmatov013@gmail.com)

**Yoqubov Faxriddin Saloxiddin o‘g‘li**

108-23 guruh talabasi, Farg‘ona politexnika instituti, Farg‘ona, O‘zbekiston

E-mail: [faxriddinyoqubov114@gmail.com](mailto:faxriddinyoqubov114@gmail.com)

**Annotatsiya:** Ushbu tezisda zamonaviy loyihalashning nazariy-uslubiy asoslarini o‘rganish, amaliy malaka va ko‘nikmalarga ega bo‘lish, kompyuter grafikasi, muhandislik grafikasi va boshqa fanlarga bog‘liq holda kiyimlarni loyihalash xususiyatlari ko‘rib chiqilgan.

**Kalit so‘zlar:** inson tanasi, kiyim, estetik-gigienik, texnik, bug‘, karbonat anhidrid, klassifikatsiya, maishiy, ishlab chiqarish, ko‘ylaklar, bluzkalar, erkaklar ko‘ylagi, yubka, fartuk.

### **Kirish**

Kiyim inson tanasining, atrof muhitning har xil ta’sirlaridan asrash vositasi sifatida paydo bo‘lgan. Jamiyat taraqqiyotining hozirgi bosqichida kiyim deganda turli xil materiallardan tayyorlanadigan hamda odamni atrof-muhitning noma’qul ta’sirlaridan asraydigan, organizmni normal sog‘lom holatini saqlaydigan hamda bezak vazifasini o‘taydigan har qanday narsalar tushuniladi. Har qanday kiyim estetik-gigienik, texnik talablarga javob berishi, odamni dam olishida, mehnat qilishida, sport bilan shug‘ullanishida qulay bo‘lishi kerak. Odam organizmidan bug‘ va karbonat anhidrid ajralib turadi, shuning uchun kiyimni loyihalashda kiyim tagida havo yaxshi almashtirib to‘rishini hisobga olish lozim. Odam terisi tashqi

muhitdan kislorodni yutib, tashqariga karbonat angidrid chiqaradi. Tashqi havo tarkibidagi karbonat angidrid 0,03-0,4 % bo'lgani uchun odam badani atrofidagi karbonat angidrid 0,08 % dan ortsa odam o'zini yomon sezadi. Tashqi havo temperaturasi past bo'lganda kiyim asosiy muhofaza vazifasini bajaradi va badandan chiqqan issiqlikni tashqi muhitga kam o'tkazadi.

### Asosiy qism

Kiyimni tikishdan oldin shu kiyim kiyiladigan joyda atmosfera havosining temperaturasi, shamolning eng katta tezligi, odamning o'rtacha energiya sarfi, odam o'sha haroida qancha vaqt uzluksiz bo'lishini hisobga olish zarur. Kiyim haddan tashqari keng yoki tor bo'lmasligi kerak, chunki terlash jarayoni normal va uzluksiz bo'lishi uchun kiyimdan tashqi havo muntazam o'tib to'rishi kerak. Kiyim nimaga mo'ljallangandan qat'iy nazar odamga yarashadigan bo'lishi kerak. Kiyimning loyinalashda kiyim eng mukammal texnologiyada tikilishi, mehnat unumdorligini oshirishni, mahsulot sifatini yaxshilashni hisobga olish lozim.

Tikuvchilik sanoatida qabul qilingan klassifikatsiyaga ko'ra kiyimlar ikki sinfga: maishiy va ishlab chiqarish kiyimlariga bo'linadi. Maishiy kiyim sinfi - ekspluatatsiya haroidiga qarab, ust kiyimlar, engil kiyimlar, ich kiyimlar, bosh kiyimlar, ko'rpa-yostiq buyumlariga bo'linadi. Buyum nimaga mo'ljallanganiga qarab har qaysi kichik klass gruppalariga bo'linadi: Ust kiyim - palto, kalta palto, kurtka va hokazo.

Engil kiyim - ko'ylaklar, bluzkalar, erkaklar ko'ylagi, yubka, fartuk va hokazo. Ich kiyim-pijamalar, ishtonlar, cho'milish kostyumlari va hokazo. Bosh kiyim-furajka, shapka, shlyapa va hakazo. Ko'rpa-yostiq buyumlari - ko'rpajilti, ko'rpa va hakazolar kiradi. Jins va yosh alomatlariga binoan guruhleri kichik guruhlarga - erkaklar, ayollar va bolalar kiyimiga ajratiladi. Bolalar kiyimi o'z navbatida maktab yoshidagi bolalar, maktabgacha yoshdagi bolalar, yasli yoshidagi bolalar, chaqaloqlar kiyimlariga bo'linadi. Maishiy kiyimlar fasllarga qarab bo'linadi va qaerga kiyilishiga qarab kundalik kiyim, uy kiyim, tantanali kiyim va sport kiyimiga ajratiladi. Ishlab chiqarish kiyimlari klassifikatsiyasiga mahsus va rasmiy (forma) kiyimlar kiradi.

Mahsus kiyimlar odamni zararli muhitdan muhofaza qiladi va kishining ish qobiliyatini saqlashga yordam beradi. Bular kurtkalar, kombenzon va hokazolar. Forma kiyimlari temir yo'l ishchilari, harbiy, dengiz xodimlari va boshqalar kiradi. Ommaviy kiyim tikishda razmer, rost va to'lalilik o'lchamlariga binoan tikiladi.



Razmer - ko'krak aylanasi. Rost-kiyim uzunligi. Kiyim razmerlari quyidagicha: kattalar uchun - 44,46,48,50..60. o'smir bolalar uchun-44,46. Kattalar uchun-38,40,42. Kichik maktab yoshidagi bolalar uchun-32,34,36, maktabgacha yoshdagi bolalar uchun-26,30. Yasli yoshdagi bolalar uchun-24,26. Barcha razmerlar uchun ko'krak aylanasi yarmi olinadi. Erkaklar ko'ylagining razmerlari ko'krak aylanasining o'lchami namda bo'yin aylanasining o'lchami bilan aniqlanadi. Maishiy kiyimlar kattalar uchun to'lalig guruhlariga ajaratiladi: erkaklar uchun bel aylanasi ko'ra, ayollar uchun buksa aylanasi ko'ra 1, 2, 3 to'laligda olinadi.

Pidjak tipidagi yoqa. Bunday tipdagi yoqalar erkaklar komtyumiga o'xshash ayollar kostyumida ham, shuningdek ko'ylaklarda va bluzkalarda ham keng tarqalgan. Pidjak tipidagi yoqalarning konstruktiv jihatdan tuzilishi biroz murakkabroq bo'ladi.



1-rasm.Pidjak tipidagi yoqa turlari.

Yoqa chizmasi old bo'lak konstruksiyasi asosida tuziladi. Oldin bortning qaytariladigan chizig'i belgilab olinadi. Buning uchun bort kengligi va yuqori petlya o'rni aniqlanadi. Bortning qaytarma chizig'ining boshlanishi L nuqta yuqori petlyadan 1,5-2 sm balanda bo'ladi. Yoqa o'mizining yuqori nuqtasi A6 dan elka



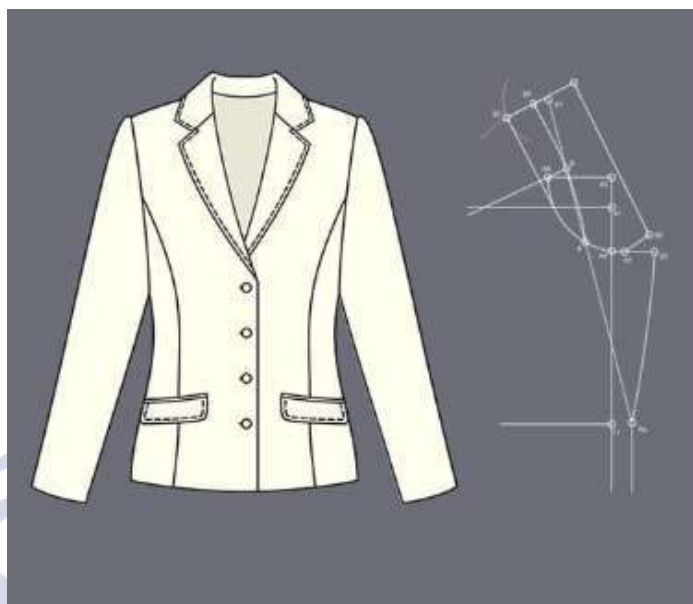
qirqimining davomida yoqa qaytarmasining kengligi  $A_6 V = 2 \div 3$  sm.  $VV_1 = AA_4$  bo‘lak o‘lchab qo‘yiladi, bunda  $AA_4$  ort bo‘lak yoqa o‘mizi bo‘lib, u  $L$  va  $V$  nuqtalarni to‘g‘ri chiziq bilan birlashtirib, davomiga ni ort bo‘lak chizmasiga santimetrli lentani qirrasini bilan qo‘yib  $AA_4$  chiziq bo‘ylab o‘lchanadi.  $LV$  chizig‘ining old bo‘lak yoqa o‘miz chizig‘i bilan kesishgan joyi  $F$  harfi qo‘yib belgilanadi.  $F$  nuqtadagi  $FV_1$  radiusli yoy o‘tkaziladi. Bu yoyda yoqa qaytarmasining kengligiga ta‘sir etuvchi  $V_1 V_2$  bo‘lagining katta-kichikligi gavdaning qomatrasoligiga bog‘liq bo‘ladi. Masalan, to‘pa –to‘g‘ri kekkaygan gavda uchun u 5 sm, normal tipovoy gavda uchun 6 sm, bukchaygan gavda uchun 7 sm bo‘ladi.  $V$  va  $V_2$  nuqtalar to‘g‘ri chiziq bilan birlashtiriladi.  $V_2$  nuqtadan shu to‘g‘ri chiziqqa perpendikulyar o‘tkazib, unda yoqaning ko‘tarma kengligi  $V_1 V_2 = 2 \div 3$  sm va qaytarma kengligi  $V_1 V_2$  o‘lchab qo‘yiladi. Yoqa qaytarmasining kengligi fasonga binoan belgilanadi. Keyin yoqa qaytarmasining chizig‘i  $V_4 V_5$  yoqa uchlari burchagining chizig‘i  $V_4 V_5 A_1 A_7$  va adip qaytarmasining chizig‘i  $A_1 A_7 V_1 V_5 L$  modelga binoan chizib olinadi.  $A_1 A_7$  nuqtaning holati ham ixtiyoriy belgilanadi. Yoqa o‘mizining o‘yilishi  $A_7 A_1 \gg 7$  fasonga bog‘liq bo‘ladi. Yassi yoqalar va fantazii yoqalar. Yassi (ko‘tarmasi yo‘q) yoqalar bo‘yiga emas, elkaga yopishib turadi. Bu yoqalarning yoqa o‘miziga o‘tkaziladigan chizig‘i yoqa o‘miz o‘yig‘ining chizig‘iga mos keladi. Va uch xil tipdagi yassi yoqalar ko‘rsatilgan:

- motroska tipidagi yoqa,
- o‘zbekcha ko‘ylakdagi shol yoqa,
- v) bo‘yiga salgina yopishib turadigan uzun yassi yoqa.

---

# Research Science and Innovation House





**2-rasm. Pidjak yoqa konstruksiyasi.**

Har qanday shakldagi yassi yoqa konstruksiyasini hosil qilish uchun ort bo‘lak bilan oldindan ko‘krak vitachkasi ko‘chirilgan old bo‘lak andazalarini elka qirqimlar bo‘ylab birlashtiriladi. Yoqa fasoniga binoan yoqa o‘miz o‘yig‘ining chizig‘i belgilanadi. Motroscha yoqa qaytarmasining chizig‘i uzluksiz chiziq bilan ko‘rsatilgan. Yoqaning ort tomonidagi kengligi, elka qirqimlar bo‘ylab kengligi istalgancha ixtiyoriy belgilanadi. Shol yoqalarda va uzaytirilgan yoqalarda kichkinagina ko‘tarma qilish mumkin. Bunda yoqaning tashqi ko‘rinishi yaxshiroq bo‘ladi.

#### **Adabiyotlar.**

1. Nigmatova, F. U., Xojimatov, R. S., & Shomansurova, M. Sh—Tikuv buyumlarini loyihalashning avtomatlashtirilgan sistemasil fanidan tajriba mashg‘ulotlarini bajarish uchun uslubiy qo‘llanma. Namangan-2016 yil.
2. Berdiyeva, A. R. (2023). Ipakli krepdeshin matosi assortimentini interaktiv metodlar orqali o‘qitish uchun tavsiyalar: ipakli krepdeshin matosi assortimentini interaktiv metodlar orqali o‘qitish uchun tavsiyalar.
3. Sodiqovna, A. M., & Abduqodirovna, B. R. N. (2022). Notipaviy qomatli ayyollarning o‘lchamlari va tana turlarining farqlanishi. Science and innovation, 1(A3), 284-288.
4. qizi Tursunova, X. S., & Berdiyeva, R. N. A. (2022). Teenage



girls' range of modern dresses. Results of National Scientific Research International Journal, 1(7), 145-152.

5. Abduqodirovna, B. R. N. (2023). Qizlar ko 'yagida transformatsiya qo 'llash va uning ahamiyati. Scientific Impulse, 2(15), 666-672.



---

# Research Science and Innovation House





## Talabalarda axloqiy tarbiyani rivojlantirishda tadbirlarning ahamiyati

**Pirjonov Sarvarbek Davlatovich – UrDU Magistratura bo‘limi  
Psixologiya (faoliyat turlari bo‘yicha ) ixtisosligi 2 kurs magistranti**

**Annotatsiya:** Mazkur maqolada ma’naviyat va ma’rifiy ishlar, ma’naviy-ma’rifiy tadbirlar mazmun –mohiyati, shuningdek, talabalarda axloqiy tarbiyani rivojlantirishda tadbirlarning ahamiyati to‘g‘risidagi fikrlar yoritilgan.

**Kalit so‘zlar:** axloqiy tarbiya, ma’naviyat va ma’rifiy ishlar, ma’naviy-ma’rifiy tadbirlar, milliy qadriyatlar an’ana, urf - odatlar , baynalminallik, do‘stlik va o‘zaro xayrixohlik tuyg‘ulari.

Bugungi kunda bilimdon, yetuk malakali, yuksak aql-zakovat va istiqbol dunyoqarashiga ega barkamol yoshlarga jamiyatimizning jahon sivilizatsiyasi sari taraqqiyotini tezlashtira oladi. O‘zbekistonning dunyodagi rivojlangan mamlakatlar safidan munosib o‘rin egallashini ta’minlay oladi.

O‘zbekiston mustaqilligini mustahkamlashning va yangi jamiyatni qurishimizning eng asosi bo‘lgan ma’naviyat va ma’rifiy ishlarni yuksaltirish hamda uni izchillik bilan hozirgi zamon talablari, milliy ruhiyatimizning ildizlariga suyangan holda yanada rivojlantirish bugungi kunning dolzarb va g‘oyat muhim vazifasidir.

Ma’naviyat va ma’rifiy ishlari davlat ichki hayotidagi bir butunlikni, odamlar ruhiyatidagi ko‘tarinkilik va kelajakka ishonchni, aql-zakovat yuksagligini, o‘z faoliyatida tinchlikni, millatlararo hamjihatlikni barqaror rivojlantirish yo‘lini aniq belgilashdagi o‘z fuqarolarning orzu-umidlarini, manfaatlarini ifoda eta bilish, uni buyuk kelajak sari harakatga yo‘naltirish va unga rahbarlik qilish salohiyati hisoblanadi<sup>1</sup>.

Ma’naviyat va ma’rifiy ishlarning yangi jamiyatni qurishdagi qudratli kuch va bebaho manba ekanligi quyidagi masalalarda o‘z ifodasini topadi:

<sup>1</sup> A‘zamov Q., Sh.JumaeV. Ma’naviyat va ma’rifat ishi. Toshkent:«Ma’naviyat», 2005. 22- b



1. Ma'naviyat va ma'rifiy ishlar - jamiyatda mavjud bo'ladigan iqtisodiy, ijtimoiy-siyosiy, huquqiy, ma'rifiy sohalarni, ularni o'zaro bog'lab, uyg'unlashtirib, davlatning bir butun mustaqil sub'ekt sifatidagi maqomini ta'minlab turadi;

2. Jamiyatning iqtisodiy, ijtimoiy –siyosiy, madaniy huquqiy va ma'rifiy sohasini rivojlantirishdan ko'zlagan asosiy maqsadi insonni kamol toptirish, ehtiyojlarini qondirish, uni barkamollik darajasiga ko'tarishdan iboratdir. Ma'naviyat va ma'rifiy ishlarni yuksak zamonaviy talablar darajasida tashkil qilgandagina muayyan vazifalarni insonga xizmat qildirish mumkin bo'ladi. Bu jarayonda ma'naviyat va ma'rifiy ishlar me'mori, mezon va yetakchi omil rolini o'ynaydi.

3. Ma'naviyat va ma'rifiy ishlar - jamiyat oldida turgan muammolar mohiyatini o'zida ifoda ettiradi, hamda uni hal qilish uchun fuqarolarning davlat manfaatlarini birlashtiradi. Ma'naviyati va ma'rifati zamonaviy rivojlangan mamlakatlarda xalq yoshlarining vatanparvarlik va millatparvarlik tuyg'ulari kuchli bo'ladi. Bunday holat o'z navbatida davlat va xalqning birligini mustahkamlashda turli xil millatlar va ijtimoiy qatlamlarning bir-birlari bilan umummanfaatlar yo'lida jiplashishlarida qudratli omil sifatida xizmat qiladi;

4. Ma'naviyat va ma'rifat bor joyda ehtiyojlar va zaruriyatlar ham yuzaga keladi. O'z navbatida ehtiyojlar va zaruriyatlar shaxs, millat va davlatni kechagidan bugun, bugundan ertaga yana ham yaxshiroq hayot kechirishga, barkamol bo'lishiga yetaklaydi, shaxs, millat va davlatning taraqqiyoti sari harakat qilishga da'vat etadi. Bu jarayonda ma'naviyat va ma'rifat shaxs, millat va davlat taraqqiyotini harakatga keltiruvchi bosh omil hisoblanadi;

5. Ma'naviyat va ma'rifiy ishlar - aql-zakovat, salohiyat yuksakligining muhim mezoni va manbai hisoblanadi. Bu orqali inson millat mahsulini millat va mamlakatning yuksak moddiy va ma'naviy boyliklari darajasiga ko'taradi;

6. Ma'naviyat va ma'rifiy ishlar - davlat ichki hayotida tinchlik, barqarorlikni vujudga keltiradi, har qanday munozarali masalalarni aql va vazminlik bilan hal qilishda xalq ruhiyatini shakllantiradi;

7. Ma'naviyat va ma'rifiy ishlar - kishilarni sub'ektiv, qarindosh-urug'chilik, mahalliychilik manfaatlari ehtirolarga berilishidan saqlaydi, shaxsiy va mahalliy manfaatlarni millat hamda Vatan manfaatlariga uyg'unlashtirish muhitini vujudga keltiradi, millatning umubashariy qadriyatlar sari intilishini kuchaytiradi;





8. Ma'naviyat va ma'rifiy ishlar - mamlakatda adolatni qaror toptirish, insonlarni qonunlarning ijodkori va itoatkori darajasiga ko'taradi. Qonunlar davlat, millat va shaxsning har qanday harakatining aniq me'yori darajasiga aylangan mamlakatda demokratik ruhdagi adolatli qadriyatlar shakllanishi mumkin bo'ladi;

9. Ma'naviyat va ma'rifiy ishlar - davlatning ichki hayotidagi muammolarni hal qilishning muhim omili bo'lishi bilan birga, u davlatning xalqaro hayotdagi obro' - e'tiborini oshiradi, uning katta imkoniyatlarga ega ekanligini va barqaror taraqqiy etayotganligini tasdiqlaydi. Bu o'z navbatida davlatning xalqaro hayotda harakat qilish imkoniyatlarini yanada kengaytiradi.

Ma'nafiy-ma'rifiy tadbirlar deganda, aholini ma'naviy, ahloqiy jihatdan tarbiyalash, bilimini o'stirish, ijodiy qobiliyatini rivojlantirishga qaratilgan tadbirlar tushuniladi<sup>2</sup>.

Ma'naviy-ma'rifiy tadbirlar bir qancha tarbiyaviy vazifalarni bajaradi:

- inson xayoti va madaniyatining axloqiy qadriyatlari to'g'risida keng tasavvur beradi;
- axloqiy tasavvurlar, qarash, muloxaza, baho berish kabi tushunchalar asosida axloqiy e'tiqodni yuksaltirishga ta'sir ko'rsatadi;
- o'quvchilarni o'zlarining axloqiy tajribalarini mushoxada qilishlari va boyitishlariga yordam beradi;
- axloq to'g'risida olingan bilimlarni to'ldirilaydi, shaxsning o'zini axloqiy tarbiyalashga zamin yaratadi.

Demak, barcha ta'lim muassasalari miqyosida ma'naviyat va ma'rifiy ishlari reja va tadbirlarini tuzish va uni amalga oshirishda yana quyidagi vazifalarga e'tiborni qaratish ham muhimdir.

Ma'naviy va ma'rifiy ishlar yuzasidan o'tkaziladigan tadbirlarning muayyan majmui xalqimizning tarixi, urf-odatlarini, rasm-rusmlari asosida tayyorlanib, talaba-yoshlarda milliy qadriyatlarimizga hurmat uyg'otish ruhida o'tkazilishi muhimdir. Shuni ham aytish kerakki, bunda milliy o'ziga xoslikka haddan tashqari

---

<sup>2</sup> Begmatov A, R.Rustamova Milliy g'oyani targ'iboti va madaniy-ma'rifiy tadbirlar. – Toshkent: “Ma'naviyat”, 2007. – 28 b



e'tiborni qaratish, boshqa millatlarning an'analari, urf-odatlarini ozgina bo'lsa-da kamsitish, behurmat qilish kabilarga mutlaqo yo'l qo'yib bo'lmaydi.

Milliy qadriyatlar bo'yicha tayyorlanadigan tadbirlar umuminsoniy qadriyatlar bag'rida, u bilan ichki, uzviy aloqadorlik tarzida o'tkazilishi lozim<sup>3</sup>. Jumladan, xalqimizning to'ylari haqida gap ketganda, bir mintaqada tarixan yonma-yon yashab kelgan, hozir Respublikamizda bahamjihat istiqomat qilayotgan turli millat va elatlarning to'ylari bilan qiyoslab, boshqa millat va elatlarning to'ylariga ham hurmat hissini uyg'otgan ma'qul.

Ma'naviy va ma'rifiy ishlarning muayyan majmui Navruz bayrami singari xalqimizning ajoyib an'alariga bag'ishlanadi. Bunday sanalarni nishonlaganda ham talaba-yoshlarga ma'naviy va ma'rifiy jihatdan tarbiya berish masalasiga alohida e'tiborni qaratish kerak.

Jumladan, Eron va Turonzamin xalqlarining talaygina an'analari, urf-odatlari rasm-rusumlari, umuman turmush tarzidagi umumiylik, mushtaraklik mavjudligi misolida azaldan ushbu mintaqadagi xalqlarning o'zaro iqtisodiy va madaniy aloqalari mavjudligiga e'tiborni qaratish va Navro'z singari bayramlar qardosh xalqlar, qo'shni xalqlar o'rtasidagi do'stlik, hamjihatlik, totuvlikni mustahkamlashga xizmat qilib kelganini ta'kidlash joiz.

Bu bilan Navro'z bayrami tashkilotchilari talaba-yoshlarda baynalminallik, do'stlik va o'zaro xayrixohlik tuyg'ularini kuchaytirishga muvaffaq bo'ldilar. Aslida, qadimdan etib kelgan an'ana va rasm-rusumlarni nishonlashdan ko'zlangan maqsad ham shudir.

Talaba - yoshlarga harbiy - vatanparvarlik, milliy - qadriyatlar mavzuida, ona - Vatanni ulug'lash mazmunida ko'rik - tanlovlar, viktorinalar, kechalar, munozaralar kabi tadbirlar uyushtirish mumkin. Bunday tadbirlarning xilma - xil bo'lishi katta ahamiyatga ega. Shu bois ma'naviy - ma'rifiy ishlarning rejasi tuzilayotganida talaba - yoshlarning xohish - istaklari ham e'tiborga olinsa, yomon bo'lmasdi. Buning uchun “Siz joriy yilda ma'naviy va ma'rifiy mavzudagi qanday tadbirlar o'tkazilishini istardingiz?” degan savol-javob anketasini uyushtirish maqsadga muvofiqdir.

<sup>3</sup> Karimova V. Targ'ibotning psixologik uslublari.- Toshkent : “Ma'naviyat”, 2001. 19 - b





Umuman, talaba-yoshlar orasida ma'naviy -ma'rifiy ishlarni rejalashtirish va o'tkazish ham maroqli, ham mas'uliyatli vazifa. Shu bois bunda tashkilotchilarning izlanuvchanligi va topqirligi qo'l keladi.



Research Science and  
Innovation House



## O‘smirlik davridagi bolalar ijtimoiylashuviga ta‘sir qiluvchi omillar

**Pirjonov Sarvarbek Davlatovich – UrDU Magistratura bo‘limi Psixologiya  
(faoliyat turlari bo‘yicha ) ixtisosligi 2 kurs magistranti**

**Annotatsiya:** Mazkur maqolada ijtimoiylashuv jarayonining, shaxslararo munosabatlar va ijtimoiy munosabatning mazmun –mohiyati, shuningdek, o‘smirlik davridagi bolalar ijtimoiylashuviga ta‘sir qiluvchi omillar to‘g‘risidagi fikrlar yoritilgan.

**Kalit so‘zlar:** o‘smir, ijtimoiylashuv, shaxslararo munosabatlar, ijtimoiy munosabat, ijtimoiy norma, kommunikativ tomon, pertseptiv tomon, interaktiv tomon.

Xozirgi davrda o‘smirlarni tarbiyalashning o‘ziga xos xususiyatlari, qonuniyatlari, imkoniyatlari, xatti-xarakat motvilarining ifodalanishining va vujudga kelishining murakkab mexanizmlari mavjud, shuni alohida ta‘kidlash kerakki, o‘smirlarni tarbiyalashda ularning xususiyatlarini to‘la xisobga olgan holda ta‘limiy - tarbiyaviy tadbirlarni qo‘llash - shaxslararo munosabatlarda anglashilmovchilikni vujudga keltirmaydi, sinf jamoasi o‘rtasida iliq psixologik iqlimni yaratadi.

O‘smir yoshida olib boriladigan ijtimoiy-pedagogik faoliyatning asosini guruhdagi mavqe, guruhiy munosabatlari va shaxs sifatida shakllanishning davomiyligini ta‘minlab beruvchi quyidagi ketma-ketlikda qo‘llash lozim:

1-omil: o‘smirlarning jamoada xamkorlikdagi ish faoliyatlari jarayonida shakllanish;

2-omil: faoliyat jarayonida hosil bo‘ladigan tasavvurlar, fikrlar, e‘tiqodlar, g‘oyalar, his-tuyg‘ularni to‘laqonli tarzda etilishiga yordam berish jarayonida shakllanishi;

3-omil: hissiy kechinmalar turli hulq – atvorni va uni shakllarida o‘ziga xosliklarni shakllantirish jarayoniga bog‘liqdir.

O‘smirlar tomonidan ijtimoiylashuvning, ya‘ni jamiyatda o‘z o‘rni, ijtimoiy normalarga rioya qilishligi, o‘zi va o‘ziga o‘xshash shaxslar bilan murakkab o‘zaro munosabatlarni shakllanishida ta‘sir qiluvchi turli xodisalarni psixologik tabiatini va qonuniyatlarini tushunib yetish, munosabatini murakkab psixologik



mexanizmi va qonuniyatlarini o‘zida ifodalash ko‘nikmasiga ega bo‘lishlikni shakllantirish lozim.

Inson ko‘pgina va turli tuman ijtimoiy munosabatlarni sub’ekt, ya’ni manbasi hisoblanadi. Bu munosabatlarda 2 ta asosiy turni ajrata bilish kerak.

- 1) Ijtimoiy munosabatlar.
- 2) shaxslararo munosabatlar.

Birinchisi, shaxslarning jamiyatda tutgan o‘rni, roli haqidadir, ya’ni ularni aniq belgilangan va tasdiqlangan xatti-xarakatlari, ya’ni ulardan kutilayotgan jamiyat uchun kerakli bo‘lgan xatti-xarakatlardadir. Demak, bularni manbasi (sub’ekti) shaxs emas, balki jamiyat hisoblanadi.

Shaxsni ijtimoiy o‘rni (roli) aniq belgilangan hatti-xarakat emas, bu jarayonda shaxs o‘z o‘rnini (rolini) qanday tushunganligi, qanday uslub bilan bajarish kabilardadir. Ya’ni otalik (o‘rni) roli, vazifasi, hisobi vazifasini o‘yinchi, jinoyatchi vazifasini qanday bajarishdadir.

Ushbu jamiyatga doir munosabatlarda shaxslararo munosabatlar paydo bo‘ladi va o‘zaro munosabat rollarini shakllanadi hamda bizga ma’lum bo‘lgan “g’irt kalla-kesar”, “g’irt maxluq”, “mana yigit”, “yigit degan shunaqa bo‘ladi” degan umumlashtiruvchi munosabatlar kelib chiqadi.

Shaxslararo munosabat ijtimoiy munosabatlardan farqi, ularni his hayajoningda; ya’ni ijtimoiy psixologiya ko‘rsatib berishga kishilarni bir-birlariga kon’yuktiv, ya’ni bironta ijtimoiy faoliyatda o‘zini ko‘rsatish orqali yaqinlashuvi va bularga qarama-qarshi, ya’ni bir-birlaridan uzoqlashuvida. Demak, bu jarayonda shaxslararo bir-biriga hohish, istak, hurmat va ba’zi birlarini yoqtirmaslik, dag’allik kabilarni ham kelib chiqadi. Jamiyatning har bir a’zosini yoki salbiy his-hayajonlarini paydo bo‘lishlarini suratga olish va ularga qanday yondashish kerakligini ijtimoiy psixologiya fani o‘rgatadi.

Munosabat masalasini (formasini) shakli asosida emas, balki uning asosida o‘rganish kerak. Ya’ni munosabat mexanizmiga (qonuniyatlariga) e’tibor bermoq kerak. Munosabati va faoliyat birligi munosabat orqali faoliyatni tashkil qilish va boyitish kabilarni misol qilish mumkin.

Munosabat tizimini ochib berishda uchta bir-biri bilan bog‘liq tomonlari:

- kommunikativ (fikr almashuv, fikrlashish, tushunish);
- pertseptiv (qabul qilish, idrok qilish);



- interaktiv (tashqi xarakterlanish ichik xarakterga aylantirish jarayoni) orqali bir-birlari bilan axborot almashadilar va faoliyatlarida bir-biriga ta'sir qiladilar.

Birinchidan, kommunikatsiya (fikr almashuv) munosabatida axborot berish katta o'rin egallaydi, hamda bir-birini tushunishga olib keladi va aktivlik manbasi hisoblanadi, natijada axborot faqat qabul qilinib qolinmasdan balki o'ylashga, fikrlashga yoki ma'lum bir xulosaga olib kelishi mumkin, ikkinchidan, axborot almashish bitta kommunikatsiyaga (shaxs) ikkinchisi tomonidan psixologik ta'sir qilishni keltirib chiqaradi, natijada munosabat jarayoni o'zgarib boradi. Uchinchidan, ularni bir-birlarini tushunishi uchun kommunikator (axborot yetkazuvchi) va retsipient (axborot qabul qiluvchi) bir-birlariga o'zaro tizimni bilmog'i kerak; To'rtinchidan, axborot jarayonida turli to'laqlar (ijtimoiy, siyosiy, diniy, kasbiy kabi) paydo bo'lishi mumkin. Bu ijtimoiy sabablardan tashqari aniq psixologik to'laqlar (uyatchanlik, ichimdagini top, mezonidagi, ishonchsizliklar kabilar) ham paydo bo'lishi mumkin.

Demak, jamiyatdagi axborot tarqatish o'ziga xos filtr (analiz) qilish jarayonidan o'tadi. Bu filtr (analiz) ishonish va ishonmaslik hollarini keltirib chiqaradi.

Ishonch va ishonmaslik jarayonini yengillashtiruvchi manbalar ham mavjud bo'lib, axborotni qabul qilishga bosqichiga ta'sir qiladi. Bunga nutqni ohangdor va turli ranglarda ifodalanish jarayoni kiradi. Axborot ikki turdan iborat bo'lib, u seskantiruvchi (ya'ni buyruq, iltimos, kengash kabilar) ikkinchidan, konstatlik darajasida axborotni izohlash kiradi. Turli axborotlarni ramziy belgilar orqali ham yetkazish mumkin. Lekin asosiy axborot mezon bu nutq va uni ifodalashdir. Ritorika ham asosiy xususiyatga ega bo'lib, unda ishontirish madaniyati yuqori turadi. Axborot jarayonini 5 ta tushuncha orqali ta'minlash mumkin.

1. Kim axborot beryapti?
2. Nima bayon qilinayapti?
3. Axborot yetkazish qanday amalga oshmoqda?
4. Axborot kimga qaratilgan?
5. Qanday mazmunga ega?

Axborot 3 ta turda bo'lishi mumkin.

- 1) ochiq axborot;
- 2) yopiq;
- 3) uzoqlashgan axborot





Yuqoridagilarni har biri o‘zlarining ramziy ma’nosiga ega bo‘lishi mumkin. (jest, mimika, pantomimika kabilar). Lekin ularni har kim o‘z ruhiyatiga qarab turlicha tuzilishi mumkin. Ya’ni boshni xarakterga keltirish - ba’zi bir odamlarda to‘g‘ri deb qabul qilinsa, ba’zi bular noto‘g‘ri deb qabul qiladir.

Munosabatga yordamchi manba sifatida ovoz tembri (ohangi), pauza (to‘xtami), yo‘nalishi, yig‘lash, kulgi kabilar ham kiradi. Munosabatda yana bir vaziyat ya’ni vaziyat ya’ni bir-birlariga to‘g‘ri yuzma-yuz boqish, yoki yarim doira aylanma orqali boqish; yoki esa bilan qarash kabilar ham o‘ziga xos ahamiyatiga ega.

Munosabatlar ko‘z kontaktini (uchrashuvi), qo‘l sezgilarini bir-birlariga tegishli orqali ham paydo bo‘lishi mumkin. Ular yondamida muloqot vazifasiga ega bo‘lgan munosabat o‘rnatiladi.

Munosabat ishtirokchilari bir-birlarini tushungan holda strategiya (reja) va (muvaffaqiyat) amalga oshadi. Munosabat asta-sekin muloqotga aylanadi va bir-birlarini tushuna boshlaydilar. Boshqa kishini tushunish har kimni o‘zini tushunish yoki ongi bilan bog‘liq. Bu jarayon ikki yo‘l bilan: o‘zini shu kishini o‘rniga qo‘ya bilishi va uni o‘zi muloqotdagi kishi tomonidan qanday qabul qilinayotganligini anglash bilan amalga oshadi. Bu jarayonda boshqa kishi haqida qabul qilinayotgan axborotlardan yangi axborot asosiy mazmunga ega. Lekin ba’zi bir umumlashtirilgan axborot manbalari ba’zan to‘g‘ri qilmaydi.

#### Foydalanilgan adabiyotlar:

1. Davletshin M. G. Umumiy psixologiya. T., TDPU, 2002.
2. Ivanov I., Zufarova M. Umumiy psixologiya. O‘z.FMJ., 2008.
3. Karimova V.M. Ijtimoiy psixologiya. Darslik. T.: 2012 .
4. Maxsudova M.A. Muloqot psixologiyasi. T., 2006

Research Science and  
Innovation House

## IMPROVING THE ATTRACTION OF FOREIGN DIRECT INVESTMENT IN THE MANUFACTURING INDUSTRY

**Nazarova Asal Nuriddin qizi**

Master of Tashkent State University of Economics

Email id: [asalnuriddinovna@gmail.com](mailto:asalnuriddinovna@gmail.com)

**Abstract:** This article provides feedback on the role and importance of foreign direct investments in the manufacturing industry of our country, and the work being done to attract them. Evaluation of its capabilities and determination of development prospects are also emphasized.

**Keywords:** investment, FDI (foreign direct investment), investor, investment project, investment attractiveness, infrastructure.

**Introduction.** In the conditions of economic liberalization, modernization of the national economy and ensuring its integration into the world economy depends to a large extent on the correct and based investment policy. Development of investment activity in our country in accordance with the conditions of the economic environment, ensuring their activity in all aspects of the economic life of the society, modernization of the national production process and ensuring stable economic growth is one of the important factors. Therefore, one of the main sources of the agenda of the reforms implemented by our government every year is the issue of attracting investments to the national economy.

In addition, many reforms are currently being carried out in our republic in order to increase investment attractiveness, create a favorable business environment, and conduct an active investment policy. The main goal of this was the socio-economic development of our country, increase of population welfare, reduction of unemployment, increase of real income of the population. In this matter, President Shavakat Miromonovich Mirziyoyev, in paragraph 3.4 of the decree on "Strategy of Actions on the Five Priority Areas of Further Development of the Republic of Uzbekistan", states that "Improving the investment environment, foreign, first of all, the main areas such as active attraction of foreign direct investments" have been selected and work is being actively carried out in these areas.

**Literature review.** While writing this article, we had to turn to several literatures, including national and foreign materials. In order to further reveal the





essence of the topic, we will first clarify the concept of foreign direct investment, cited by scientists.

Foreign direct investment (FDI) is an investment from a party in one country into a business or corporation in another country with the intention of establishing a lasting interest. Lasting interest differentiates FDI from foreign portfolio investments, where investors passively hold securities from a foreign country. A foreign direct investment can be made by obtaining a lasting interest or by expanding one's business into a foreign country.

An investment into a foreign firm is considered an FDI if it establishes a lasting interest. A lasting interest is established when an investor obtains at least 10% of the voting power in a firm.

The key to foreign direct investment is the element of control. Control represents the intent to actively manage and influence a foreign firm's operations. This is the major differentiating factor between FDI and a passive foreign portfolio investment.

**Analysis and results.** Factors such as political and macroeconomic stability in the country, a strong guarantee of protection of the rights of foreign investors and a wide system of benefits create the most favorable conditions for entrepreneurs. In addition, the low price of raw materials, materials, energy resources and highly qualified labor force, which are important for production, attracts foreign investments to our country. In addition, it is no secret that an active policy aimed at accelerating the attraction of foreign investments is being carried out in the Republic of Uzbekistan. Ensuring the conversion of the national currency according to current operations and the strategy of implementing reforms will form a favorable basis for the further liberalization of the economy in Uzbekistan and the implementation of projects with the participation of foreign capital.

**Foreign direct investment has its own conveniences and advantages:**

- Economic growth

The creation of jobs is the most obvious advantage of FDI, one of the most important reasons why a nation (especially a developing one) will look to attract foreign direct investment. FDI boosts the manufacturing and services sector which results in the creation of jobs and helps to reduce unemployment rates in the country. Increased employment translates to higher incomes and equips the population with more buying powers, boosting the overall economy of a country.

- Human capital development

Human capital involved the knowledge and competence of a workforce. Skills that employees gain through training and experience can boost the education and human capital of a specific country. Through a ripple effect, it can train human resources in other sectors and companies.

- Technology

Targeted countries and businesses receive access to the latest financing tools, technologies, and operational practices from all across the world. The introduction of newer and enhanced technologies results in company's distribution into the local economy, resulting in enhanced efficiency and effectiveness of the industry.

- Increase in exports

Many goods produced by FDI have global markets, not solely domestic consumption. The creation of 100% export oriented units help to assist FDI investors in boosting exports from other countries.

- Exchange rate stability

The flow of FDI into a country translates into a continuous flow of foreign exchange, helping a country's Central Bank maintain a prosperous reserve of foreign exchange which results in stable exchange rates.

- Improved Capital Flow

Inflow of capital is particularly beneficial for countries with limited domestic resources, as well as for nations with restricted opportunities to raise funds in global capital markets.

- Creation of a Competitive Market

By facilitating the entry of foreign organizations into the domestic marketplace, FDI helps create a competitive environment, as well as break domestic monopolies. A healthy competitive environment pushes firms to continuously enhance their processes and product offerings, thereby fostering innovation. Consumers also gain access to a wider range of competitively priced products.

On the other hand there exist some disadvantages coming with FDI:

- Hindrance of domestic investment

Sometimes FDI can hinder domestic investment. Because of FDI, countries' local companies start losing interest to invest in their domestic products.

- The risk from political changes





Other countries' political movements can be changed constantly which could hamper the investors.

- Negative exchange rates

Foreign direct investments can sometimes affect exchange rates to the advantage of one country and the detriment of another.

- Higher costs

When investors invest in foreign countries, they might notice that it is more expensive than when goods are exported. Often times, more money is invested into machinery and intellectual property than in wages for local employees.

- Economic non-viability

Considering that foreign direct investments may be capital-intensive from the point of view of the investor, it can sometimes be very risky or economically non-viable.

- Expropriation

Constant political changes can lead to expropriation. In this case, those countries' governments will have control over investors' property and assets.

- Modern-day economic colonialism

Many third-world countries, or at least those with history of colonialism, worry that foreign direct investment would result in some kind of modern-day economic colonialism, which exposes host countries and leave them vulnerable to foreign companies' exploitation.

- Poor performance

Multinationals have been criticized for poor working conditions in foreign factories.

One of the main directions of the new strategy of the Republic of Uzbekistan in the field of foreign economic relations, investments and trade is the attraction of foreign investments. Currently, Uzbekistan has signed agreements on mutual protection of investments with 47 countries. The Republic of Uzbekistan is a member of a number of international financial organizations such as the World Bank, the European Bank for Reconstruction and Development, the International Monetary Fund, and the Islamic Development Bank. The Republic has been closely cooperating with several international and regional economic organizations.

According to the statistics, in recent years, 31 billion dollars worth of foreign direct investments have been attracted to our country for the purpose of industrial



development. Last year alone, 8 billion dollars of foreign direct investments entered our economy. As a result, it can be seen that the industry has increased by 1.4 times and exports by 1.5 times in the past 5 years. In the next 5 years, for the stable growth of the economy, the goal is to increase the industry by another 1.5 times, to increase the export to 30 billion dollars. For this, 120 billion dollars of investment is needed, including 70 billion dollars of foreign investment, 11 billion dollars of direct foreign investments were absorbed last year, 304 large and 3 thousand regional projects were planned to be launched by the end of 2023. As a result of them, the tasks of starting the production of products worth 10 trillion sums and using additional reserves in industry sectors and regions, as well as the implementation of a number of tasks aimed at increasing the competitiveness of products, were determined from Sh. Mirziyoyev's report on investment and industry priorities on February 27, 2023 can be seen.

**Conclusion.** A number of measures and reforms to attract direct investments are being actively implemented in Uzbekistan. The priority areas of investment are production and energy, including electrical equipment, vehicles, building materials production projects, projects in the chemical industry, and construction of solar power plants. In recent years, Uzbekistan has been looking for ways to increase the volume of foreign direct investments. Last September, the country's government partnered with the International Finance Corporation (IFC), an organization that offers investment, advisory and asset management services to less developed countries, to attract more direct investment. For a wider attraction of foreign capital, it is necessary to ensure state guarantees for property in Uzbekistan, the stability of economic development, the development of a system of encouraging investment activity in the country, as well as the formation and implementation of investment legislation.

According to research, creation a favorable investment climate in Uzbekistan needs:

- create economic prerequisites, such as the provision of benefits for taxation of profits, property and infrastructure to increase the flow of investment in the economy;
- ensure the same legal regime for all investors;
- ensure transparency of business entities;





- every year to allocate lists of priority industries that require investment at the state and regional levels;
- establish priority areas for the flow of foreign investment in enterprises of those industries in which the importer has absolute advantages.

#### List of used literature:

1. Report of the State Committee of the Republic of Uzbekistan on Demographic Statistics // <https://stat.uz/ru/press-tsentr/novosti-komiteta/5260-demograficheskayasituatsiya-4>
2. Speech by the President of the Republic of Uzbekistan Sh. Mirziyoyev in his message to the Parliament of the Republic of Uzbekistan on December 22, 2017 // <http://uza.uz/ru/politics/poslanie-prezidenta-respubliki-uzbekistan-shavkata-mirziyeev23-12-2017>
3. Uzbekistan News // <https://www.uzdaily.uz/>
4. World population statistics // <https://countrysmeters.info/en>
5. Paltrinieri A., Hassan M.K., Bahoo S. & Khan A., A bibliometric review of sukuk literature, International Review of Economics and Finance (2019), In Press <https://doi.org/10.1016/j.iref.2019.04.004>.
6. Echchabi A., Abd.aziz H., Idriss U., 2016. Does sukuk financing promote economic growth? An emphasis on the major issuing countries. Turk. J. Islam. Econ. 3, pp. 63-73. 16. Global islamic finance report
7. Ahmad N., Daud S.N., & Kefelia Z. (2012). Economic forces and the sukuk market. Procedia: Social and Behavioral Sciences, 65, pp. 127-133.
8. Beck T., Demirg-Kunt A., Merrouche O., Islamic vs. conventional banking: business model, efficiency and stability. J. Bank. Finance 37, pp. 433-447.
9. Набижонов, О., Шавкатова, Ш. ., & Сатторова, С. . (2022). КОРХОНАЛАРДА ИШЛАБ ЧИҚАРИШ ХАРАЖАТЛАРИНИ МИНИМАЛЛАШТИРИШ СТРАТЕГИЯСИНИНГ НАЗАРИЙ АСОСЛАРИ. Евразийский журнал права, финансов и прикладных наук, 2(7), 27–29. извлечено от <https://in-academy.uz/index.php/EJLFAS/article/view/1918>
10. Отабек Ганиевич Набижонов, Зоҳиджон Раббимқул Ўғли Хужамқулов, and Ф. Б. Шакирова. "ИННОВАЦИЯЛАР НЕГИЗИДА БАРҚАРОР ИҚТИСОДИЙ ЎСИШНИ ТАЪМИНЛАШНИНГ НАЗАРИЙ

ЖИҲАТЛАРИ" Central Asian Academic Journal of Scientific Research, vol. 2, no. 4, 2022, pp. 326-334.

11. Otabek Ganiyevich Nabijonov, & Sh. A. Kholbutaeva (2022). THE ROLE OF CONSULTING IN THE MODERN MARKET ECONOMY. Central Asian Academic Journal of Scientific Research, 2 (2), 5-8.

12. Ugli, A. S. O., Ganiyevich, N. O., Ugli, Y. S. Z., & Ugli, K. R. A. (2021). About how cheap (actually very expensive) loans may not enrich the poor. ACADEMICIA: An International Multidisciplinary Research Journal, 11(10), 2191-2193.

13. Nabijonov Otabek Ganiyevich (2021). IQTISODIYOTDA RAQOBATBARDOSHLIKNI OSHIRISHNING NAZARIY ASOSLARI. Scientific progress, 1 (3), 136-139.

14. Otabek Ganiyevich Nabijonov, Shokhzod Otabek ugli Abdurazzokov, Sanjarbek Zokhidjon ugli Yuldashaliyev Academic research in modern science 1 (1), 220-222, 2022



---

Research Science and  
Innovation House





## CURRENT TRENDS IN THE DEVELOPMENT OF BUSINESS PRODUCTS AND SERVICES IN THE CONTEXT OF DIGITAL ECONOMY FORMATION

**Khasanov Sokhibjon**

Master of Tashkent State University of Economics

**Abstract:** The present article shows that in the conditions of formation of digital economy on an international scale, the creation and continuous improvement of information products and services for all sectors and spheres of the economy, including bines, is of greater importance. The article shows that the development of the information component of economic objects is the basis of their competitiveness in the global economic market.

**Keywords:** digitalization, information products and services, competitiveness, efficiency, software products, optimization, digital transformation, e-commerce.

### **Introduction**

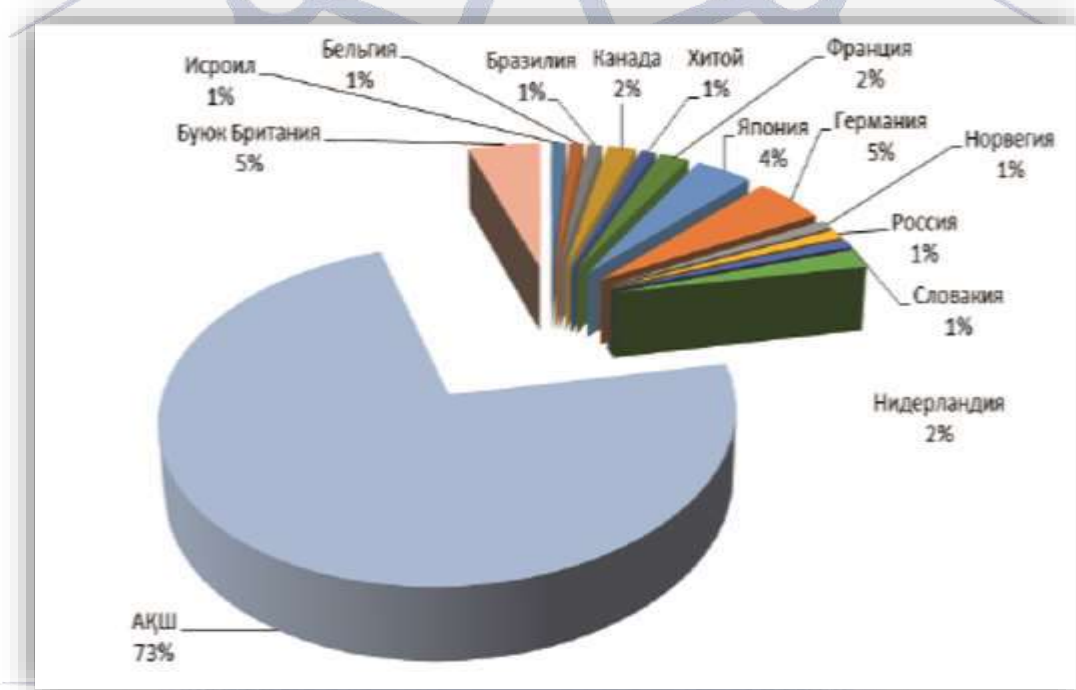
Over the past two decades, most of the information activities of developed countries have become a major element of market infrastructure and have been embedded in the structure of market relations. Although the formation of the information and communication market as a market infrastructure began in the second half of the 1950s, the structural changes of the last 10 years have turned this sector into a strategic economic force. Today, this market sector is considered the basic foundation of the national economy of each country. Because the development of the world economy requires a modern information and communication infrastructure. In developed countries, their economic growth is driven by information, knowledge and intellectual potential. Information and software products - the basis for the development of economic objects in the conditions of digital transformation

As the world practice shows, the world's largest research institutions in the field of ICT (ITU, Gartner Research, IICD, JB infoDev program, UNESCAP) in the field of processes of formation of digital economy, index of economic development and ICT consumption, measurement of the impact of knowledge and innovation, efficiency of AMH research works. The Republic of Uzbekistan is also conducting a whole range of research in such areas as efficiency of investments in ICT, e-



government, e-commerce, information society, creation of innovative types of information and software products and services. In this regard, it is important to study methodological aspects of the development of information products and services business in our country.

The development of information products and services business provides economic development and growth in many ways. That is why developed and developing countries of the world try to develop ICT business and create new types of AMX. The largest and most profitable software companies of the world are located in the USA, 65 out of 100 largest software companies of the world, announced by "Top 100 Research Foundation" in 2010, are located there. In terms of the number of companies, Japan and France ranked second and third (Fig. 1).



**Figure 1:** Geographic location of the world's top 100 information products companies.

In terms of exports of software products and related services, India has been leading the global market for several years now. In this regard, Ireland and China ranked second and third respectively.

India entered the global software export market in the early 1990s. According to Nasscom, the software industry grew 58% between 2007 and 2013, accounting for





6.5% of India's total ICT outsourcing in 2009. By 2016, annual exports in India's ICT outsourcing industry totaled \$155.2 billion. More than two million people are employed in this industry, accounting for more than USD. Companies in the United States and the European Union can be called the main buyers of Indian programmers' services.

### Conclusion

In recent years, the analysis of global economic indicators related to the information society shows that there are trends of a natural increase in the share of information products and services in the national economies of developed and developing countries. From these analyses, it can be concluded that while the emphasis is on the innovation economy, the economies of countries are growing at the expense of information products and services, and this sector is the basis of the innovation economy. The development of the information products and services sector on a proper scientific basis and based on the experience applied in developed countries serves the formation of information society and innovation economy in the country. It should be taken into account that the development of entrepreneurship and business processes in this sphere is impossible without a thorough analysis of structural aspects of information products and services, without taking into account modern trends, without studying its specific aspects. In this respect, studying unique and important aspects of our country, identifying problems and finding solutions on their basis is the key to tomorrow's development.

### REFERENCE:

1. Message of the President of the Republic of Uzbekistan Sh.M.Mirziyoyev to the Oliy Majlis on the most important priority tasks for 2019 from December 28, 2018. Portal of the National Information Agency of Uzbekistan ([www.uza.uz](http://www.uza.uz)).
2. Abdurakhmonova G.K. "Modern World: Social Networks Manage Human Resources" Tashkent.2021 -86 p.
3. [www.lex.uz](http://www.lex.uz) - national database of legislation of the Republic of Uzbekistan.  
[www.ziynet.uz](http://www.ziynet.uz) - educational portal.
4. <https://regulation.gov.uz/uz/document/3085>



5. Набижонов, О., Шавкатова, Ш. ., & Сатторова , С. . (2022). КОРХОНАЛАРДА ИШЛАБ ЧИҚАРИШ ХАРАЖАТЛАРИНИ МИНИМАЛЛАШТИРИШ СТРАТЕГИЯСИНИНГ НАЗАРИЙ АСОСЛАРИ. Евразийский журнал права, финансов и прикладных наук, 2(7), 27–29. извлечено от <https://in-academy.uz/index.php/EJLFAS/article/view/1918>

6. Otabek Ganiyevich Nabijonov, & Sh. A. Kholbutaeva (2022). THE ROLE OF CONSULTING IN THE MODERN MARKET ECONOMY. Central Asian Academic Journal of Scientific Research, 2 (2), 5-8.

7. Ugli, A. S. O., Ganiyevich, N. O., Ugli, Y. S. Z., & Ugli, K. R. A. (2021). About how cheap (actually very expensive) loans may not enrich the poor. ACADEMICIA: An International Multidisciplinary Research Journal, 11(10), 2191-2193.

8. Shavkatova , S. ., & Nabijonov , O. . (2022). INNOVATSIYA FAOLIYATINING ANAMIYATI. Евразийский журнал права, финансов и прикладных наук, 2(11), 4–7. извлечено от <https://in-academy.uz/index.php/EJLFAS/article/view/4088>

9. Отабек Ганиевич Набижонов, Зоҳиджон Раббимкул Ўғли Хужамкулов, and Ф. Б. Шакирова. "ИННОВАЦИЈАЛАР НЕГИЗИДА БАРҚАРОР ИҚТИСОДИЙ ЎСИШНИ ТАЪМИНЛАШНИНГ НАЗАРИЙ ЖИҲАТЛАРИ" Central Asian Academic Journal of Scientific Research, vol. 2, no. 4, 2022, pp. 326-334.

10. Nabijonov Otabek Ganiyevich (2021). IQTISODIYOTDA RAQOVATBARDOSHLIKNI OSHIRISHNING NAZARIY ASOSLARI. Scientific progress, 1 (3), 136-139.

11. Otabek Ganiyevich Nabijonov, Shokhzod Otabek ugli Abdurazzokov, Sanjarbek Zokhidjon ugli Yuldashaliyev Academic research in modern science 1 (1), 220-222, 2022

12. Nabijonov, O. G., ugli Abdurazzokov, S. O., & ugli Yuldashaliyev, S. Z. (2022). DO WE WANT TO LIBERALIZE TRADE OR VICE VERSA. Academic research in modern science, 1(1), 220-222.



## ПЕРИМЕНОПОЗ ДАВОМИДА ЭНДОМЕТРИОЗ БИЛАН АЁЛЛАР ҲАЁТ СИФАТИНИ БАҲОЛАШ

Саидова М, Хушбекова Д, Фармонова Г.  
Самарқанд Давлат Тиббиет университети, Ўзбекистон

**Аннотация.** Перименопауза ва эндометриозни ўрганишда катта ютуқларга қарамасдан, бу муаммо олимлар ва амалиётчиларнинг эътиборини жалб қилишда давом этмоқда. Пери ва постменопаузал даврида ривожланаётган «постменопаузал синдром» тушунчасида бирлаштирилган. Ўтувчи ешдаги аёлларнинг ҳаёт сифатига сезиларли таъсир кўрсатадиган эстроген етишмовчилигининг энг муҳим оқибатлари ва клиник кўринишлари қаторига менопауза синдроми билан намоён бўладиган вегетатив невротик намоёшлар киради.

**Калит сўзлар:** перименопоз даври, менопаузал синдром, эндометриозли аёллар, вегетоваскуляр касалликлар.

**Долзарблиги.** Энг муҳим оқибатлари ва пери ривожланаётган эстроген танқислиги клиник намоён орасида-ва постменопаузал даврлар ва "постменопаузал синдроми" тушунчаси билан бирга ўтиш ёшидаги аёллар, ҳаёт сифатига муҳим таъсир ега, вежетероневротик намоён (менопаузал синдроми), урогенитал касалликлар, дистрофик тери ўзгаришлар, атеросклероз ва коронар юрак хасталиги, вежетероз, психологик касалликлар. Сўнгги пайтларда перименопауза (ПМП) муаммоларини ўрганишга дунё бўйлаб қизиқишнинг сезиларли ўсиши кузатилмоқда [7,8,9].

Перименопауза-менопаузал ўтиш даври ва охириги мустақил ҳайздан кейин 12 ойни ўз ичига олади [4,8, 25,30,]. Ҳозирги вақтда ўзгаришларнинг ривожланиш механизмлари ва менопаузанинг ёндашуви ҳамда ПМПДА ривожланаётган патологик жараёнларнинг патогенези етарлича ўрганилмаган. Estradiol, прогестерон, ичи тухумдон оксиллар инхибе ва активин, шунингдек gonadotropin циклик секреция-кўп тадқиқотлар натижалари ПМП репродуктив тизими фаолиятининг асосий алгоритм бузган, деб кўрсатади [11,12].

Ёш ўтиши билан фолликулаларнинг емирилиши билан бирга гонадотроп рецепторларнинг сони камайиб, тухумдонларнинг ўз гонадотроп

стимулларига сезувчанлигининг пасайишига ва овуляцион сикллар частотасининг пасайишига ёрдам бериши аниқланди [8,11,21].

Перименопауза яқинлашганда ановулятор сикллар сони ортади ва сиклнинг фолликуляр ва лютеал фазаларининг қисқариши кузатилади, бу муқаррар равишда ҳайз функциясининг клиник ўзгаришлари билан кечади [8,11,21].

Эндометриоз одатда менопауз остроген даражасининг пасайиши туфайли юзага келганда тугайди, баъзи постменопауз аёллар эндометриознинг реактивациясини бошдан кечириши мумкин, ёки АОК қилинган гормонлар билан даволанишнинг ён таъсири ёки эндоген гормонлар мавжудлиги туфайли [5,6]. Постменопауз гуруҳда тарқалиши endometrial ҳиперпластик жараёнлар (ГПЕ) бу ошириш частотаси билан , 2% дан 5% гача ўзгариб туради.

Перименопауз даврида эндометриоид касаллиги бўлган беморларнинг ҳаёт сифати сезиларли даражада зарарланади [14,15]. Руҳий ҳолат, депрессия ва хавотирнинг тез-тез ўзгариши жисмоний саломатликнинг таркибий қисмлари ўртача даражада қолишига қарамай, кўпинча кундалик ишларни бажаришга ҳалақит беради [14,16,17].

Шундай қилиб, етиопатогенезни ўрганишда еришилган ютуқларга, ташхис қўйиш ва терапиянинг янги усулларига қарамай, перименопауз даврида эндометриоз билан оғриган аёлларга даволаш ва бошқарув тактикаси муаммоси ҳал етилмай қолмоқда.

Буларнинг барчаси пмпда эндометриоз билан оғриган беморларни бошқаришни оптималлаштириш зарурлигини тақозо этади, бу нафақат турли гинекологик ва соматик касалликларнинг ривожланиши ва такрорланишини тахмин қилиш учун етарли интеграциялашган ёндашувларни яратишга, балки ушбу патологияга ега беморларни бошқариш учун ягона протоколларни ишлаб чиқишга қаратилган.

Ўзбекистон Республикаси соғлиқни сақлаш вазирлиги ҳузуридаги давлат илмий тиббиёт кутубхонаси томонидан ўтказилган 30.10.2019-сонли patent кидирув, рўйхатга олиш рақами 001947 асосида "эндометриозли аёлларда перименопауз даврнинг хусусиятлари" муаммоси ва унинг ҳаёт сифатига таъсири ўрганилмаган.

Менопауз синдроми чалинган эндометриоз билан аёллар сонининг ортиши аёллар ушбу туркумга кирувчи даволаш учун янги ёндашув



ривожланишини талаб қилади ва бизнинг ўрганиш учун асос бўлди замонавий гинекология, ҳозирги муаммолар билан боғлиқ.

**Мақсад:** атипик нөрелептик-перименопозал эндометриоз билан аёллар ҳаёт сифатига толерабилите, самарадорлигини ва таъсирини баҳолаш учун.

**Тадқиқот материаллари ва усуллари.** Менопаузал синдроми намоён билан боғлиқ шикоятлар учун гинеколог ўгирилиб 45 -55 ёшгача эндометриоз билан 88 перименопаусал аёлларни кўриб чиқдик.

Тадқиқотга киритилган барча беморлар куйидаги киритиш ва чиқариш мезонларини бажардилар.

**Киритиш мезонлари:**

- ◆ Ёш 45-55 йил
- ◆ менопаузал синдромнинг невровегетатив ва психоемоцион кўринишларининг мавжудлиги;
- ◆ жарроҳлик даволашни талаб қилмайдиган эндометриознинг мавжудлиги;
- ◆ кўкрак беши саратони белгилари йўқ;
- ◆ бачадон бўйни ва бачадон бўйни канали юзасидан смеарда хужайра атипиясининг йўқлиги

**Чиқариш мезонлари**

- ◆ individual сулпириде учун мурасасизлик ;
- ◆ жарроҳлик даволашни талаб қилувчи гинекологик патология;
- ◆ endometrial гиперплазияси мавжудлиги ;
- ◆ онкологик касаллик;

Ҳаёт сўровномаси SPF36 сифати бўйича сўровнома ўтказдик. Менопаузал синдром намоёндаларининг зўравонлигини баҳолаш учун биз невровегетатив, метаболик-эндокрин ва психоемоционал касалликларнинг оғирлигини баҳолайдиган модификацияланган менопаузал индексининг динамикасини (Уварова модификациясида Купперман) ишлатдик. Беморлар 2 гуруҳга бўлинди: I гуруҳ эндометриоз учун операция қилинган 40 аёлдан иборат бўлиб, улардан 15 аёл ўсимталар билан ҳистеректомия, 10-эндометриоз ўчоқлари Лапароскопик куйикиш, 5-лапаратомия-эндометриомектомия, 10

аёл қон оқими учун абразия Кави бор еди. II гуруҳ 48 аёлдан иборат (эндометриоз учун операция қилинмаган.

**Тадқиқот натижалари ва уларнинг муҳокамаси.** Купперман индекси бўйича менопаузал синдромининг энгил оғир-лиги и -40,3% беморларда, ўртача-66% ва оғир-32%, ИИ гуруҳда-кучсиз-39%, ўртача-51%, оғир-15% Назорат гуруҳида: Купперман индекси бўйича менопаузал синдромининг оғирлиги: энгил-18% да, ўрта-14% да, оғир-5% да. Вегетатив-томир бузилишларини тузатиш Просулпин (фаол модда-сулпирид) препарати билан 50 мг, кунига 1 марта, ўртача ва оғир даража учун кунига 2 марта, куннинг 16 соатгача амалга оширилди. Назорат 1, 3, 6 ҳафтадан сўнг амалга оширилди.

**Даволаш.** 1 ҳафта олинган маълумотларга кўра, учинчи ёки олтинчи ҳафта охирига келиб, 90% га назорат гуруҳида аёллар 93% га, 96% га ҳиссий соҳасида ижобий тенденциялари бор еди, иссиқлаш сони ва асаб бузилишлари сезиларли даражада камайди, терлаш, Қ/Б тебранишлар, тахикардия, безовталиқ, депрессия, ҳиссий лабиллик, I гуруҳ -92%, II гуруҳ бош оғриғи-86%, назорат гуруҳи 97%. Ҳаёт анкетаси сифатига кўра-СФ36, даволашдан олдин перименопаузал даврда эндометриоз бўлган аёллар ҳаёт сифатини пасайтиришни, I-76%, II-55%, назорат гуруҳида-42% ни кўрсатди. Терапиядан сўнг I гуруҳ -89%, II гуруҳ -95% ва назоратда - 96% беморларнинг психоемоционал ҳолати ва ҳаёт сифатини сезиларли даражада яхшилаш кузатилди.

Шундай қилиб, тадқиқот натижалари эндометриоз билан перименопаузал аёлларда, менопаузал синдромни даволаш учун сулпирид 50 мг самарадорлиги ва хавфсизлигини кўрсатади. Ва у алтернатив терапия бўлиши мўмкинлигини, аёлларда гормонал давога қарши курсатмалар бўлган ҳолатларда фойдаланиш мумкин.

#### Адабиётлар рўйхати

1. Зурикова С.И., Смирнова Н.П., Муханова Л.Ю., Шишкина Т.Л. Эффективность негормональных методов лечения больных с климактерическим синдромом. // Гомеопатия для врачей общей практики. – 2003.

2. Vanwesenbeeck I., Vennix P., Van de Wiel H. Menopausal symptoms: associations with menopausal status and psychosocial factors // J. Psychosom. Obstet. Gynaecol., 2001, Sep.; 22(3): p. 149–158.



3. Латенкова Н. Ю., Рудзевич А. Ю. К вопросу о целесообразности организации специализированных гинекологических приемов для женщин старшей возрастной группы // Матер. научно – практич. конференции: Актуальные вопросы применения заместительной гормональной терапии в профилактике преждевременного старения организма. – Екатеринбург, 2000. С.47–48.

4. Дюкова Г.М., Сметник В.П., Назаров Н.А. Состояние психовегетативной и сексуальной сфер у женщин в перименопаузе. Руководство для врачей // Под



Research Science and  
Innovation House



## ЛЕЧЕНИЕ КЛИМАКТЕРИЧЕСКИХ РАССТРОЙСТВ У ЖЕНЩИН С ПРОТИВОПОКАЗАНИЕМ К ЗГТ

Гулмуродова Д, Юлдашева М, Шермахматова У  
Самаркандский Государственный медицинский университет

**Аннотация.** Климактерический синдром-это симптомокомплекс, осложняющий физиологическое течение климактерия у женщин. Большую гамму симптомов КС можно разделить на 3 группы: нейровегетативные, обменно-эндокринные, психоэмоциональные, причем психоэмоциональные нарушения встречаются у 16- 31% женщин в перименопаузе.

**Ключевые слова:** перименопауза, климактерий, осложнение, стресс, депрессия

В настоящее время, проблема связанная со здоровьем женщин климактерического возраста, имеет важнейшее медико-социальное значение. Это связано с тем, что во всем мире отмечается неуклонная тенденция к увеличению средней продолжительности жизни женщин. По данным ООН с 2010 по 2013 год средняя продолжительность жизни женщин в развитых странах составляла приблизительно 73.2-75 лет, а в развивающихся странах- 68-70 лет. При этом возраст наступления менопаузы остается относительно стабильным и составляет в среднем 49-50 лет. Климактерический синдром-это симптомокомплекс, осложняющий физиологическое течение климактерия у женщин. Большую гамму симптомов КС можно разделить на 3 группы: нейровегетативные, обменно-эндокринные, психоэмоциональные, причем психоэмоциональные нарушения встречаются у 16- 31% женщин в перименопаузе [Dennerstein L., Smith A.M.A., Morse C.A.].

По данным Зуриковой С.И., Смирнова Н.П., Мухановой Л.Ю., Шишкиной Т.Л., изучавших клинические проявления климакса у 88 женщин в возрасте 45–54 лет с продолжительностью заболевания в пределах 5 лет, самый высокий уровень нарушений был отмечен в психоэмоциональной сфере (78,4%), в то время как нейровегетативные и метаболические изменения выявлялись соответственно лишь у 63,6% и 46,6% женщин, что указывает на значительный удельный вес психопатологии в клинике климактерических расстройств у женщин)[1].



Одним из перспективных лечебно-профилактических направлений решения данной проблемы является комплексная коррекция гормонодефицитных состояний на основе заместительной гормональной терапии (ЗГТ) различными аналогами половых гормонов-эстрогенов и прогестинов. Однако, назначение ЗГТ ограничено рядом медицинских противопоказаний, кроме того, иногда имеет место негативное отношение врачей к ЗГТ и не все женщины соглашаются на прием гормонов по тем или иным причинам. В этой ситуации адаптироваться к новым условиям существования в условиях дефицита эстрогенов женщине помогают альтернативные методы лечения-медикаментозная негормональная терапия.

**Цель исследования:** Изучить возможности коррекции климактерических расстройств у женщин с противопоказанием к ЗГТ.

**Материалы и методы исследования:** С целью лечения ранних проявлений климактерического синдрома был применен атипичный нейрорептик-Просульпин (действующее вещество сульпирид). Нами была использована форма выпуска- таблетка 200 мг. Препарат был назначен 34 пациенткам с проявлениями климактерического синдрома, при наличии противопоказаний к ЗГТ, таблица №1.

Таблица №1

**Противопоказания к ЗГТ**

Противопоказания к ЗГТ	Количество больных	
	№	%
Маточные кровотечения неустановленной этиологии	1	2,9
Ожирение, сахарный диабет II типа.	1	2,9
Недавно перенесенный инсульт или инфаркт	7	20,5
Тромбофлебит	4	11,7
Тяжелые печеночные и почечные патологии	6	17,6
Заболевания щитовидной железы	3	8,8
Подготовка к хирургическому вмешательству	2	5,8
Желание пациентки	10	29,4

Все женщины поделены были на две группы «А» (женщины в пременопаузе) и «В» группа (женщины в менопаузе) в возрасте от 45 до 60 лет, средний возраст составил  $52 \pm 0.3$ , проявления КС наблюдались в пределах от 4 мес до 15 лет, составляя в среднем  $5 \pm 2,5$  лет. Из 34 женщин, 20 в пременопаузе, 8-с хирургической менопаузой, 6-отказавшиеся от применения гормональных препаратов. Все исследуемые до лечения предъявляли следующие жалобы, (таблица №2).

Таблица №2

**Состояние обследованных женщин до лечения**

Симптомы	Количество больных	
	№	%
Приливы жара	34	100.0
Обильное потоотделение	25	74.5
Нарушение сна	27	78.0
Утомляемость	23	68.0
Состояние тревоги	31	90.3
Депрессия	23	68.0
Раздражительность	15	45.2
Снижение либидо	9	27.6
Головные боли	8	24.7
Приступы сердцебиения	15	44.0
Повышение А/Д	6	18.0

Перед началом терапии, а также в динамике наблюдения пациенткам произведено УЗИ органов малого таза, маммография, биохимическое исследование крови, PAP-мазок.

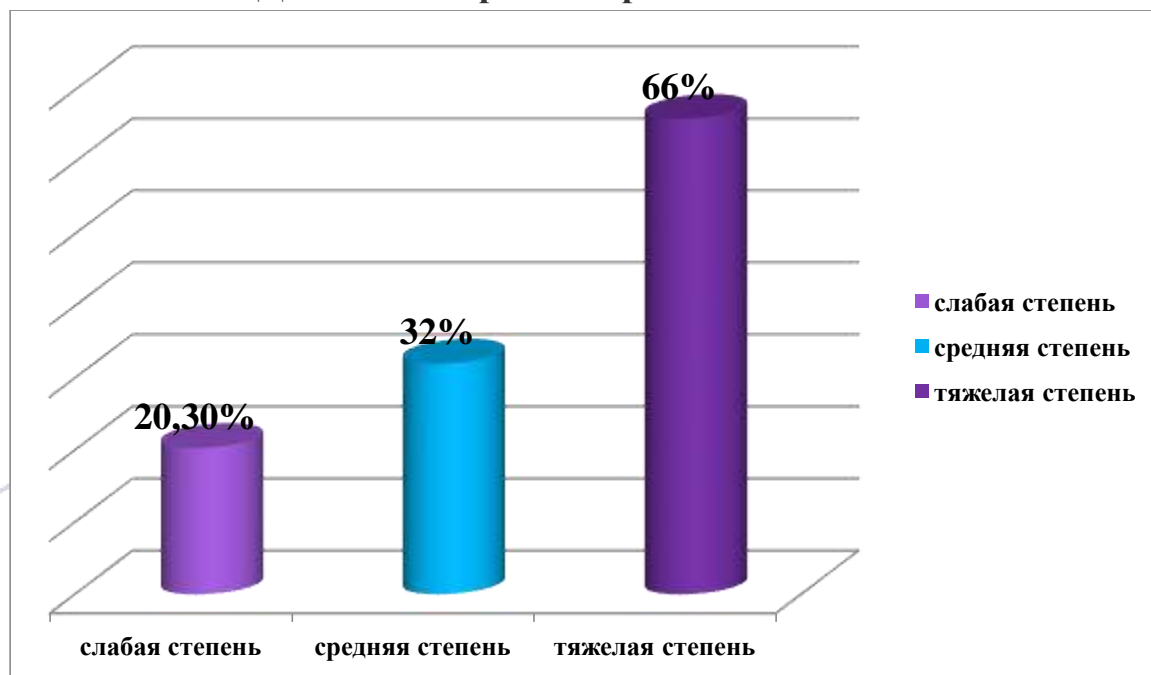
Препарат назначался 2 раза в день по 100 мг до 16 часов дня. Контроль проводился через 1, 3, 6-недель

Результаты исследования: В нашем исследовании течение КС и динамику обратного развития симптомов оценивали с помощью модифицированного менопаузального индекса (ММИ)-индекс Куппермана. Слабая степень выраженности климактерического синдрома была отмечена у 20,3% пациенток, средняя-у 66% и тяжелая-у 32% рис№1.



Рис.№1.

Динамика обратного развития симптомов



Согласно полученным данным на 1 неделе терапии имелись положительные тенденции в эмоциональной сфере в группе “А” у 72% женщин, в группе “В”-64% к концу третьей-шестой недели значительно снизилось количество приливов и их тяжесть, уменьшились потливость, колебания А/Д, тахикардия, беспокойство, депрессия, эмоциональная лабильность, головные боли, повысилась работоспособность в группе “А”-92%, в группе “В” группе 81%, (таблица№3).

Таблица №3

Состояние обследованных женщин после лечения

Симптомы	Через 1нед.				Через 3-6нед.			
	n-18	n-16	%	%	n-18	%	n-16	%
	«А»	«В»	«А»	«В»	«А»	«В»	«А»	«В»
Обильное потоотделение	7	6	39	37	3	8	2	12.5
Приливы жара	5	5	30,5	31	2	11	3	18.75
Нарушение сна	4	4	22	25	2	11	2	12.5
Утомляемость	5	6	30,5	37	2	11	4	25
Состояние тревоги	6	5	33	31	-	-	-	-

Депрессия	-	1	-	-	-	-	-	-
Раздражительность	-	-	-	-	-	-	-	-
Снижение либидо	3	4	16,6	25	2	11	4	25
Головные боли	4	5	22	31	-	-	3	18.75
Приступы сердцебиения	4	4	22	25	-	-	-	-
Повышение А/Д	2	3	11,1	19	2	11	2	12.5

**Выводы:** Результаты исследования показали, что:

1. Атипичный нейролептик-Просульпин может быть использован в качестве альтернативной терапии у женщин с КС и наличием противопоказаний к ЗГТ.
2. Наибольшая эффективность препарата отмечена при лечении вегетативных расстройств и нервно-психических нарушений, связанных с климактерическим синдромом.

#### Литература:

1. Зурикова С.И., Смирнова Н.П., Муханова Л.Ю., Шишкина Т.Л. Эффективность негормональных методов лечения больных с климактерическим синдромом. // Гомеопатия для врачей общей практики. – 2003.
2. Vanwesenbeeck I., Vennix P., Van de Wiel H. Menopausal symptoms: associations with menopausal status and psychosocial factors // J. Psychosom. Obstet. Gynaecol., 2001, Sep.; 22(3): p. 149–158.
3. Латенкова Н. Ю., Рудзевич А. Ю. К вопросу о целесообразности организации специализированных гинекологических приемов для женщин старшей возрастной группы // Матер. научно – практич. конференции: Актуальные вопросы применения заместительной гормональной терапии в профилактике преждевременного старения организма. – Екатеринбург, 2000. С.47–48.
4. Дюкова Г.М., Сметник В.П., Назаров Н.А. Состояние психовегетативной и сексуальной сфер у женщин в перименопаузе. Руководство для врачей // Под



## СОМАТИЧЕСКАЯ КОМОРБИДНОСТЬ ВО ВРЕМЯ БЕРЕМЕННОСТИ

Абдувалиева М, Фармонова З, Мусинова Ш.

### САМАРКАНДСКИЙ ГОСУДАРСТВЕННЫЙ МЕДИЦИНСКИЙ УНИВЕРСИТЕТ

**Аннотация.** Манифестный дефицит железа, или железodefицитная анемия – это гематологический синдром, характеризующийся нарушением синтеза гемоглобина вследствие дефицита железа, а также развитием нарушений в органах и тканях. При МДЖ имеются нарушения во всех фондах метаболизма железа – функциональном, транспортном, запасном, железорегуляторном в сочетании с клиническими признаками дефицита железа, что приводит к увеличению частоты акушерских осложнений.

**Ключевые слова.** Железodefицитная анемия, дефицит железа, диагностика, профилактика, гемоглобин, абсорбция.

Общее количество железа в организме человека 2–6 г. Из него железо гемоглобина составляет 65%, депонированное железо (ферритин) – 20%, в миоглобине присутствует 10%, 5% находится в ферментах, на долю трансферрина (транспортное железо) – 0,1% [1, 2]. Железodefицитные состояния (ЖДС) вызываются нарушениями метаболизма железа вследствие его дефицита в организме и характеризуются клиническими и лабораторными признаками, выраженность которых зависит от степени дефицита железа.

В настоящее время железodefицитные состояния разделяют на предлатентный дефицит железа (ПДЖ), латентный дефицит железа (ЛДЖ), манифестный дефицит железа, или железodefицитную анемию (ЖДА). Предлатентный и латентный дефицит железа характеризуется снижением депонированного и транспортного железа при сохранении его

эритроцитарного пула [3, 4]. При наличии предлатентного дефицита железа клинические и биохимические признаки дефицита железа отсутствуют. В большинстве случаев ПДЖ развивается к концу третьего триместра беременности. Для этой формы характерно снижение показателей всех фондов метаболизма железа в пределах нормативных значений.

Определить наличие ПДЖ позволяет тест абсорбции  $Fe^{3+}$ . В 60% случаев при наличии ПДЖ имеется повышение абсорбции железа выше 50%, при нормальном значении этого показателя 10–15% [1, 5–7]. Латентный дефицит железа характеризуется дефицитом железа в тканях при отсутствии клинических признаков, достоверным снижением как запасов железа в депо, так и показателя содержания эритропоэтина (ЭПО) до уровня, поддерживающего гематологические показатели в пределах нижней границы нормативных значений. Чаще всего возникает на 19–24 нед. беременности. Отсутствие терапии препаратами железа при ЛДЖ приводит к развитию железодефицитной анемии у 65% беременных женщин и, как следствие, к увеличению частоты осложненного течения беременности [2, 7, 8].

Манифестный дефицит железа, или железодефицитная анемия – это гематологический синдром, характеризующийся нарушением синтеза гемоглобина вследствие дефицита железа, а также развитием нарушений в органах и тканях. При МДЖ имеются нарушения во всех фондах метаболизма железа – функциональном, транспортном, запасном, железорегуляторном в сочетании с клиническими признаками дефицита железа, что приводит к увеличению частоты акушерских осложнений [9, 10]. По данным ВОЗ, в настоящее время железодефицитные состояния являются самой распространенной патологией в мире после респираторно-вирусных инфекций. В мире частота ПДЖ и ЛДЖ достигает 92%, а частота ЖДА у



беременных составляет 25–50%. В развитых странах частота ЖДА 18–20%, в развивающихся странах 35–75%, в России 34,7% [2, 9, 11, 12].

Беременность – это физиологическое состояние, увеличивающее потребность в железе в организме будущей матери в первом триместре на 16%, во втором – на 59%, в третьем – на 67%.

За период беременности и после родов расходуется около 1 400 мг железа:

- 500 мг на усиление эритропоэза
  - 300 мг на развитие фетоплацентарной системы (потребности плода составляют 280–290 мг, плаценты 25–100 мг)
  - 190 мг – текущий расход железа
  - 230 мг – потери во время родоразрешения
- 400 мг на лактацию у родильниц

Клиника ЖДА у беременных женщин, с одной стороны, обусловлена наличием анемического синдрома, с другой – гипосидерозом (дефицитом железа в организме) [1, 13, 14]. Для анемического синдрома характерны неспецифические симптомы: пациенток беспокоят слабость, головокружения, шум в ушах, быстрая утомляемость, сонливость, гипотония, ортостатическая гипотензия, липотемия, тахикардия, одышка при физической нагрузке. Анемия у первобеременных является распространенной проблемой, которая может привести к серьезным последствиям для матери и плода. В данном обзоре мы рассмотрим некоторые из наиболее значимых исследований, посвященных этой теме. Исследование, опубликованное в журнале "American Journal of Obstetrics and Gynecology" в 2015 году, показало, что уровень гемоглобина (основного показателя анемии) менее 11 г/дл был обнаружен у 21%

первобеременных женщин. Исследователи обнаружили, что риск развития анемии увеличивается с увеличением возраста матери индекса массы тела (ИМТ). В целом, эти исследования показывают, что анемия является распространенной проблемой у первобеременных женщин. Уровень гемоглобина менее 11 г/дл может привести к серьезным последствиям для матери и плода. Поэтому рекомендуется регулярно проверять уровень гемоглобина у беременных женщин и принимать меры для предотвращения и лечения анемии.

В Узбекистане анемия у беременных также является распространенной проблемой. По данным Национального центра статистики Республики Узбекистан, в 2019 году уровень анемии у беременных женщин составил 35,5%. Это связано с различными факторами, такими как плохое питание, недостаток железа и витаминов, инфекции и другие заболевания.

Для борьбы с анемией у беременных в Узбекистане проводятся различные мероприятия. В рамках национальной программы "Сохранение материнства и детства" были разработаны рекомендации по профилактике и лечению анемии у беременных женщин. В этих рекомендациях содержатся советы по правильному питанию, приему железа и других витаминов, а также по контролю за заболеваниями, которые могут привести к анемии.

Также в Узбекистане проводятся специальные программы по обучению будущих матерей о правильном питании и уходе за собой во время беременности. В рамках этих программ проводятся консультации с врачами и диетологами, а также выдаются специальные питательные продукты и добавки для беременных женщин.



В целом, в Узбекистане существуют меры по борьбе с анемией у беременных женщин, но необходимо продолжать работу в этом направлении для улучшения здоровья матерей и детей.

При проведении многоцентровых исследований было доказано, что 70% гемоглобина у детей до 2 лет имеет материнское происхождение. Этот факт объясняет то, что при наличии ЖДА у беременных у 68% детей до 1 года также может возникать или прогрессировать железодефицитная анемия. Наличие ЖДА приводит к снижению уровня умственного, моторного, речевого развития, к ухудшению метаболизма клеточных структур, нарушению гемоглобинообразования, ухудшению иммунного статуса и устойчивости к инфекциям у детей первых лет жизни [2, 10, 15]. Для диагностики наличия железодефицитной анемии у беременных женщин целесообразно использовать гематологические и феррокинетические показатели [2, 16].

В связи с тем, что железодефицитное состояние у беременной женщины приводит к высокой частоте акушерских и перинатальных осложнений, актуальным является вопрос профилактики дефицита железа во время беременности.

ВОЗ с 2012 г. рекомендует профилактический прием 30–60 мг элементарного железа в сутки для профилактики ЖДА всем беременным женщинам [12]. Рекомендации по раннему рутинному назначению железа также представлены Американским колледжем акушеров-гинекологов (2021) [13].

Профилактика ЖДА также показана пациенткам с обильными и длительными менструациями, предшествовавшими беременности, при интервале между беременностями 2 и менее лет, при многоплодной беременности, при длительной лактации после предыдущих родов. Всем

беременным обязательно проведение скрининга для выявления железодефицитного состояния с 5–6 нед. беременности. Предпочтительно использование комбинированных пероральных препаратов железа и фолиевой кислоты с пролонгированным высвобождением железа [2, 3, 7, 10, 18]

Для профилактики МДЖ у беременных и родильниц необходимо своевременно выявлять у них ЛДЖ и назначать лечение препаратами железа – селективная профилактика. При ЛДЖ, помимо комплексных поливитаминных препаратов с макро- и микроэлементами (1 таблетка или капсула в сутки), в течение 6 нед. показан прием 50–100 мг элементарного железа в сутки перорально. Рекомендуются препараты Fe<sup>2+</sup> по 50 мг элементарного железа в сутки или препараты Fe<sup>3+</sup> по 60–100 мг элементарного железа в сутки. При отсутствии лабораторных возможностей определения уровня СФ решение вопроса о назначении селективной профилактики можно принять на основании гематологических критериев (Hb, RBC, Ht).

К профилактике МДЖ у родильниц относятся уменьшение кровопотери при родоразрешении, мероприятия по восполнению кровопотери во время абдоминального родоразрешения, предупреждение острых или рецидивов хронических инфекционно-воспалительных заболеваний в послеродовом периоде, своевременная терапия ЛДЖ в III триместре беременности [1, 3, 12, 20].

При лечении железодефицитной анемии прежде всего необходимо подтвердить железодефицитный характер анемии путем определения гематологических и феррокинетических показателей. Применение для коррекции ЖДА только диеты, состоящей из богатых железом продуктов недостаточно. Обязательно применение препаратов железа и витаминно-минеральных комплексов. При ЖДА средней и тяжелой степени возможно



применять рекомбинантный эритропоэтин после 20 нед. беременности в сочетании с препаратами железа.

Эксперты ВОЗ за критерии оценки тяжести ЖДА приняли уровень Hb. По данному критерию ВОЗ классифицирует ЖДА у беременных женщин следующим образом: – анемия легкой степени – показатели Hb в крови 90–110 мг/л; – анемия средней тяжести или умеренно выраженная – показатели Hb в крови 70–89 г/л; – тяжелая степень анемии – показатели Hb в крови.

Парентеральное применение препаратов железа требуется только в особых случаях [1, 2, 7, 11, 21, 25]. Если руководствоваться количеством сывороточного ферритина у обследуемых беременных, то при значении СФ > 60 мкг/л препараты железа не показаны. При показателе СФ < 60, но > 20 мкг/л назначать препараты железа необходимо с 20 нед. беременности. При СФ < 20 мкг/л назначение препаратов железа необходимо с 12 нед. беременности. Переливание крови или эритроцитной массы не является методом лечения ЖДА. Используется только при тяжелой анемии с гемодинамическими нарушениями и у больных перед операцией, или у женщин перед родами при снижении уровня гемоглобина ниже 80 г/л.

Одним из современных высококачественных препаратов железа в настоящее время является Сорбифер Дурулес.

Под наблюдением находились 120 беременных пациенток в сроке беременности 14-28 недель беременности, средний возраст первобеременных 22±5 лет, которым проводился курс лечения препаратом в течение 4-х недель. Максимальная эффективная и безопасная разовая доза элементарного железа при терапии ЖДА составляет 100 мг, а суточная не должна превышать 300 мг.

Формы железа с замедленным высвобождением (Сорбифер Дурулес) предотвращают контакт атомов металла со слизистой оболочкой желудка, поскольку высвобождение его происходит только при смене кислотности среды в просвете двенадцатиперстной кишки, где осуществляется основной объем абсорбции железа. Равномерное высвобождение препарата начинается происходить только в кишечнике, поступление лекарственного препарата в кровь происходит в течение 6 ч [19]. Высокая биодоступность сульфата железа в сочетании с аскорбиновой кислотой для улучшения всасывания обеспечивает более высокий темп прироста гемоглобина по сравнению с другими пероральными железосодержащими препаратами, особенно при тяжелой форме анемии [20]. Назначение внутривенного железа должно рассматриваться при анемии средней степени тяжести или тяжелой, во время беременности – начиная со II триместра беременности при подтвержденном диагнозе ЖДА при непереносимости или отсутствии ответа на терапию пероральными препаратами железа. Назначение внутривенного железа также может быть рассмотрено у женщин после 34 недель беременности с подтвержденным дефицитом железа и концентрацией гемоглобина менее 100 г/л [21]. Эффективное назначение препаратов железа вне беременности должно приводить к увеличению концентрации гемоглобина на 20 г/л через 3–4 недели или на 1–2 г/л/сут [22, 23]. Во время беременности достижение подобных целевых значений труднодостижимо на фоне продолжающегося увеличения расходов железа на формирование дополнительных потребностей фето-плацентарного комплекса и кровообращения, поэтому следует стремиться к увеличению концентрации гемоглобина на 10 г/л через 3–4 недели беременности. В целом терапия ЖДА должна быть длительной и продолжаться до нормализации показателей не только гемоглобина, но и



восполнения запасов железа в депо. После нормализации показателей гемоглобина лечение должно быть продолжено в течение 3 месяцев и по крайней мере до 6 недель послеродового периода для восполнения запасов железа [22, 24]. Перед прекращением терапии необходимо удостовериться в нормализации показателей клинического анализа крови и сывороточного ферритина [25]. Оценка лабораторных показателей проходила в динамике: начало исследования, через 2, 3, 4 недели лечения препаратом. Клинический анализ крови проводился на автоматическом анализаторе. В качестве лабораторных параметров, включенных в исследование, были выбраны: количество эритроцитов, гемоглобин, цветовой показатель, гематокрит, средний объем эритроцитов, среднее содержание гемоглобина в эритроцитах, средняя концентрация гемоглобина в эритроцитах. Использовали лабораторные показатели, характеризующие обмен железа в организме: сывороточное железо (СЖ), общую железосвязывающую способность сыворотки (ОЖСС), латентную железосвязывающую способность сыворотки (ЛЖСС) и коэффициент насыщения трансферрина (КНТ). Из инструментальных методов исследования проводили ультразвуковое исследование брюшной полости.

Результаты исследования. У 38,4% обследованных больных была выявлена ЖДА легкой степени, у 25,3% – средней степени и у 21,2% – тяжелой степени.

До лечения 36% больных предъявляли жалобы на повышенную утомляемость, 18% – на сердцебиение и 46% – на тканевые проявления дефицита железа (койлонихии, дисфагии, нарушение желудочной секреции).

Эффективность лечения определяли каждую неделю по субъективной оценке пациентами переносимости препарата, степени улучшения самочувствия и по данным показателей периферической картины крови. Переносимость препарата была хорошей, только в нескольких случаях во время первой недели терапии отмечались запоры. Других побочных действий препарата не выявлено.

Через две недели лечения субъективная оценка эффективности лечения определялась пациентами, как «состояние улучшилось» – у 36%, «состояние значительно улучшилось» у 19% и у 19% – «состояние мало улучшилось». Через 4 недели приема препарата пациенты отметили значительное улучшение состояния, так, 59% больных оценивали свое состояние, как «значительно улучшилось». При этом 57% не предъявляли жалобы, повышенную утомляемость отмечали 19%, проявления тканевого дефицита железа отмечались только у 19% больных, на сердцебиение жаловались 9% больных.

Полученные данные лабораторного исследования подтверждают общую тенденцию улучшения клинического состояния больных на фоне проводимой терапии. Прирост гемоглобина и гематокрита представлен на рис. 1. Уровень гемоглобина в крови достоверно увеличился уже на 2-й неделе лечения. Гематокрит увеличился в среднем с исходного значения  $26,8 \pm 1,3\%$  до  $39,0 \pm 2,5\%$  после проведенного лечения.

Лечение ЖДА необходимо начинать сразу после верификации диагноза и установления причин дефицита железа. Следует отметить, что для правильности выбора препарата железа необходимо учитывать количество микроэлемента в каждой таблетке препарата. Препарат должен обладать пролонгированным действием, что сокращает частоту приема и хорошо



переносится больными. Расчет суточной и курсовой дозы препарата производится с учетом степени тяжести анемического синдрома, висцеральных поражений, уровня сывороточного железа.

### **Заключение.**

Таким образом, основными принципами лечения ЖДА являются коррекция причин, лежащих в основе дефицита железа, устранение не только анемии, но и дефицита железа в крови и в тканях. Пациентки должны быть информированы, что компенсация дефицита железа и коррекция ЖДА не может быть достигнута с помощью специальных диет. Высокое содержание двухвалентного железа в препарате Сорбифер Дурулес, его высокая терапевтическая эффективность и хорошая переносимость при минимальных побочных явлениях, которую продемонстрировал препарат в нашем исследовании, позволяют рекомендовать его для широкого использования при лечении железодефицитных состояний. В заключение следует отметить, что основными свойствами ЖДС являются обратимость и возможность их предупреждения. Причиной высокой распространенности МДЖ является недооценка значения диагностики ранних стадий ДЖ, а также отсутствие дифференцированного индивидуального подхода к коррекции этих стадий с целью профилактики МДЖ.

Research Science and  
Innovation House



## Литература

1. Рациональная фармакотерапия в акушерстве, гинекологии и неонатологии = Rationale for drug therapy in obstetrics, gynecology and neonatology: в 2 т.: руководство для практикующих врачей. Под ред. В.Н. Серова, Г.Т. Сухих. 2-е изд., испр. и доп. М.: Литтерра, 2010 (Рациональная фармакотерапия).
2. Диагностика и лечение в гинекологии: проблемный подход. М. Рис [и др.]; пер. с англ.; под ред. В.Н. Прилепской. М.: ГЭОТАР-Медиа, 2010.
3. Прилепская В.Н., Яглов В.В. Лечение анемии у женщин с маточными кровотечениями. Фарматека, 2003, 2: 7-12.
4. Серов В.Н., Бурлев В.А., Коноводова Е.Н., Жаров Е.В. Железодефицитные состояния у беременных. Серия научно-практических информационных и дискуссионных материалов. Российский клинический опыт для акушеров-гинекологов. М., 2005.
5. Коноводова Е.Н., Бурлев В.А., Серов В.Н., Кан Н.Е., Тютюнник В.Л. Диагностика, профилактика и лечение железодефицитных состояний у беременных и родильниц. Федеральные клинические рекомендации. Российское общество акушеров-гинекологов ФГБУ «НЦ АГиП им. В.И. Кулакова» МЗ России, 2013. С. 26.
6. Серов В.Н., Шаповаленко С.А. Диагностика и лечение железодефицитных анемий у беременных. МРЖ, 2005, 17: 1143.
7. Коноводова Е.Н., Бурлев В.А., Шаков Р.Г. Профилактика и лечение железодефицитных состояний у беременных и родильниц. Гинекология, 2010, 3: 24-31.



8. Малкоч А.В., Анастасевич Л.А., Филатова Н.Н. Железодефицитные состояния и железодефицитная анемия у женщин детородного возраста. Лечащий врач, 2013, 4

9. Бурлев В.А., Коноводова Е.Н., Орджоникидзе Н.В., Серов В.Н., Елохина Т.Б., Ильясова Н.А. Лечение латентного дефицита железа и железодефицитной анемии у беременных. Российский вестник акушера-гинеколога, 2006, 1: 64-68.

10. Коноводова Е.Н. Железодефицитные состояния у беременных и родильниц (патогенез, диагностика, профилактика, лечение). Автореф. дисс. ... д-ра мед. наук. М., 2008.

11. Хитров М.В., Охапкин М.Б., Ильяшенко И.Н. Анемия беременных. Пособие для врачей и интернов. 2-е изд., перераб. и доп. Ярославль, 2002.

12. Основные показатели деятельности службы охраны здоровья матери и ребенка в Российской Федерации. Под ред. академика РАМН Г.Т. Сухих, академика РАМН Л.В. Адамян. М., 2009.

13. Серов В.Н., Бурлев В.А., Коноводова Е.Н. и соавт. Железодефицитные состояния у беременных и родильниц. Учебное пособие. Под ред. академика РАМН Г.Т. Сухих и проф. Т.А. Протопоповой. М., 2009.

14. Ледина А.В. Растительные препараты в лечении железодефицитных анемий (обзор литературы). Гинекология. 2004, 5: 222-227.

15. WHO: The world health report 2002 — Reducing Risks, Promoting Healthy Life.

16. Breymann C., Krafft A. Treatment of iron deficiency anemia in pregnancy and postpartum. Transfusion Alternatives in Transfusion Medicine, 2012, Dec., 12 (3-4): 135-142.

17. Иванян А.Н., Никифорович И.И., Литвинов А.В. Современный взгляд на анемию у беременных. Российский вестник акушера-гинеколога, 2009, 1: 17-20.

18. Геворкян М.А., Кузнецова Е.М. Анемия беременных: патогенез и принципы терапии. РМЖ, 2011, 20.

19. Breyman C, Honegger C, Holzgreve W, Surbek D. Diagnosis and treatment of iron-deficiency anaemia during pregnancy and postpartum. Arch Gynecol Obstet., 2010, Nov., 282(5): 577-580.

20. Чушков Ю.В. Современные возможности терапии железодефицитной анемии у беременных. Фарматека, 2011, 13.

21. Peña-Rosas JP, De-Regil LM. Daily oral iron supplementation during pregnancy. Cochrane Pregnancy and Childbirth Group, 2012.

22. Городецкий В.В., Годулян О.В. Железодефицитные состояния и железодефицитная анемия: лечение и диагностика. Методические рекомендации. М.: Медпрактика-М, 2005.

23. Bodnar LM, Siega-Riz AM, Cogswell ME. High Prepregnancy BMI Increases the Risk of Postpartum Anemia. Obesity Research, 2004, J., 12(6): 941-948.

24. Резанова Н.В., Гудинова Ж.В, Боровский И.В. Региональные аспекты формирования заболеваемости анемиями детского населения России. Сибирский медицинский журнал, 2008, 4: 67-70.

25. Баранов А.А. Педиатрия. Национальное руководство. М.: ГОЭТАР-Медиа, 2009.

26. ФГУ «ЦНИИОИЗ Минздравсоцразвития РФ». Материалы сайта [www.mednet.ru](http://www.mednet.ru) <http://www.mednet.ru>.



## THE VALUE OF QUALITY OF LIFE AS AN INDICATOR FOR ASSESSING THE COURSE OF ENDOMETRIOSIS

Polvonova R, Abdullayeva M, Ergasheva K

Samarkand State Medicine Institute. Department of obstetrics and  
Gynecology, the Faculty of Postgraduate Doctors. Republic of Uzbekistan.  
Samarkand

**Summary:** Despite the huge achievements in the study of the period of perimenopause, this problem continues to attract the attention of both scientists and practitioners, as is the problem of managing patients with endometrioid disease.

The quality of life of patients with endometrioid disease in the period of perimenopause is significantly affected. Frequent changes in mood, depression, and anxiety often interfere with everyday work, despite the fact that the components of physical health remain at an average level.

**Key words:** increase, the main group, depression, significantly affected.

**Relevance.** Despite the huge achievements in the study of the period of perimenopause, this problem continues to attract the attention of both scientists and practitioners, as is the problem of managing patients with endometrioid disease.

The quality of life of patients with endometrioid disease in the period of perimenopause is significantly affected. Frequent changes in mood, depression, and anxiety often interfere with everyday work, despite the fact that the components of physical health remain at an average level.

An increase in the number of women with endometriosis suffering from menopausal syndrome requires the development of a new approach to the treatment of this category of women and is one of the urgent problems of modern gynecology, which served as the basis for our study.

**Purpose of the study.** To study the clinical course of menopausal syndrome in women with endometriosis based on the study of quality of life, hormonal status and treatment methods used.

**Material and method research.** We examined 142 women in the period of perimenopause with endometriosis from the age of 45 to 55 years, who contacted a gynecologist about complaints related to the manifestations of menopausal syndrome. A survey was conducted on the questionnaire of quality of life



Patients were divided into 2 groups: group I consisted of 40 women (operated on for endometriosis), group II consisted of 47 women (not operated on for endometriosis). The control group consisted of 50 women aged 45-55 years without gynecological pathology.

**The results of the study.** A weak severity of menopausal syndrome according to the Kupperman index was noted in the main group -20.3% of patients, medium-66% and severe-32%. In the control group, the severity of menopausal syndrome according to the Kupperman index: a weak degree in 18, an average degree in 14%, severe in 5%.

Correction of psychoemotional and vegetovascular disorders was carried out with the drug Proslupine (active substance, sulpiride) 200 mg, the drug was prescribed 2 times a day, 100 mg until 4 p.m. Control was carried out after 1, 3, 6 weeks.

According to the quality of life questionnaire -SF36, in women with endometriosis during the period of perimenopause before treatment, a decrease in the quality of life was noted, in the main group - 56%, in the control group - 72%.

After the treatment, a significant improvement in the psychoemotional state and an increase in the quality of life of patients were noted both in the main group 89% and in the control -96%.

**Findings.** Thus, the literature review and our own research indicate the feasibility of treating patients with endometriosis during the perimenopause period with psychoemotional and vegetative vascular disorders with atypical small antipsychotic drugs, which allows to increase the clinical effectiveness of complex treatment and improve the quality of life of perimenopausal women.

### Reference

1. Агабабян Л.Р., Ахмедова А.Т. Состояние шейки матки у первородящих женщин. <https://www.tadqiqot.uz/index.php/uro/issue/view/560> Том 4 № 4 (2023): ЖУРНАЛ РЕПРОДУКТИВНОГО ЗДОРОВЬЯ И УРО-НЕФРОЛОГИЧЕСКИХ ИССЛЕДОВАНИЙ
2. Зокиров Фарход Истамович ECCENTRIC PREGNANCY AND UTERINE ANOMALIES – A RARE CASES OF OBSTETRICAL HEMORRHAGE. Том 4 № 4 (2023): ЖУРНАЛ РЕПРОДУКТИВНОГО ЗДОРОВЬЯ И УРО-НЕФРОЛОГИЧЕСКИХ ИССЛЕДОВАНИЙ



3. М.Ф. Киселевич 1 В.М. Киселевич . Особенности течения беременности и родов у юных первородящих женщин. НАУЧНЫЕ ВЕДОМОСТИ Серия Медицина. Фармация. 2010. № 10 (81). Выпуск 10.
4. Цхай В.Б. Перинатальное акушерство: учеб. пособие / В.Б. Цхай. – М: Феникс, 2007. – 512 с.
5. Беременность среди подростков // ВОЗ. Информационный бюллетень. – 2014 – № 364 (сентябрь).
6. Езепчик О. А. Проблемы здоровья подростков Республики Беларусь / О. А. Езепчик, М. Ю. Сурмач // Актуальные проблемы медицины: материалы ежегодной итоговой научно-практической конференции, 22 января 2013 г. – Гродно, 2013. – Ч. 1. – С. 258–261.
7. Насирова Зебинисо Азизовна, Расулова Парвина Рустамовна, Сафарова Диёра Фархадовна, Анализ течения беременности и родов у женщин с чрезмерной прибавкой веса во время беременности во время пандемии Covid-19. Том 4 № 4 (2023): ЖУРНАЛ РЕПРОДУКТИВНОГО ЗДОРОВЬЯ И УРО-НЕФРОЛОГИЧЕСКИХ ИССЛЕДОВАНИЙ

---

# Research Science and Innovation House

## REABILITATSIYA BO‘LIMI HAMSHIRALARI FAOLIYATINING TASHKILY SHAKLLARINI ILMIY ASOSLASH

**Mustaqil izlanuvchi , Qodirov Jobir Hayitqulovich**  
**Samarqand davlat tibbiyot universiteti rektor, t.f.d.professor.**

**Rizaev Jasur Alimjanovich**  
**Samarqand davlat tibbiyot universiteti, O‘zbekiston respublikasi,**  
**Samarqand sh.**

### ANNOTATSIYA

Reabilitatsiya markazlarida bemorlarni kompleks reabilitatsiya qilishni amalga oshirishda hamshiralarning ko‘p kasbli jamoa mutaxassislari bilan o‘zaro hamkorligi modeli ishlab chiqildi, bu ularning reabilitatsiya jarayonida ishtirok etishining ko‘p qirrali xususiyatini aks ettiradi. Hamshiralarning reabilitatsiya faoliyati hamshiralik amaliyotining yangi tashkiliy shaklining aks etishi, hamshiralik ishining nufuzini oshirishi ko‘rsatilgan.

**Kalit so‘zlar:** Reabilitatsiya markazlari, reabilitatsiya hamshiralari, ijtimoiy reabilitatsiya, bemorlar.

Reabilitatsiya markazlarida bemorlar va ularning qarindoshlarining tibbiy-ijtimoiy xizmatlarga oid asosli shikoyatlari soni.

2019-2023 yillar uchun (abs.)

Yillar	Asoslangan shikoyatlar soni		
	Travmatik kasalliklar dan keyingi shikoyatlar	Insultdan keyingi shikoyatlar	O‘shish / yo‘qotish darajasi %
2019	73	98,0	-2,0
2020	71	96,3	-3,7
2021	68	92,2	-4,1
2022	59	76,4	-15,8
2023	34	44,2	-36,2





Taqdim etilgan ma'lumotlar reabilitatsiya markazlarida bemorlarni reabilitatsiya qilishda ishtirok etuvchi hamshiralarning ish sifatini oshirish chora-tadbirlarini aks ettiruvchi bir qator umumiy qoidalarni shakllantirishga imkon beradi:

- Reabilitatsiya markazlarida hamshiralarning ish sifatini oshirish uchun ularning malaka oshirish dasturiga ma'lumotlar va asosiy qonunchilik va me'yoriy hujjatlarni sertifikatlashtirish davrlari doirasida va reabilitatsiya markazlari bazasiga kiritish zarur. ;

- hamshiralarning kasbiy mahoratini oshirish va yuqori sifatli reabilitatsiya tadbirlarini ta'minlash uchun o'quv dasturiga neyroleptik terapiya vaqtidagi asoratlar to'g'risidagi ma'lumotlarni kiritish zarur deb hisoblash kerak;

- hamshiralarning reabilitatsiya faoliyati sifatini oshirish, ijtimoiy komponent (26 dan 32 gacha) tufayli funksional mas'uliyatini kengaytirish uchun nogironlarga psixologik va ijtimoiy ta'sir ko'rsatish usullarini o'zlashtirish orqali ularning malakasini oshirish kerak. qarindoshlar, ijtimoiy, kundalik, ijtimoiy ekologik ko'nikmalarga o'rgatish;

- hamshiralarni tayyorlashning afzal shakllarini o'rganish reabilitatsiya markazlaridagi sertifikatlashtirish davrlari va mashg'ulotlarini eng maqbul deb hisoblash imkonini beradi;

Reabilitatsiya ,tibbiy-ijtimoiy va psixologik yordami sohasidagi doimiy yangilanib turadigan ma'lumotlarni hisobga olgan holda hamshiralarni o'qitishning uzluksiz jarayonini amalga oshirish uchun o'quv-uslubiy kabinetni tashkil etish, "Uzluksiz kasbiy ichki ishlar dasturini" ishlab chiqish va amalga oshirish maqsadga muvofiqdir. muassasa hamshiralarni tashkiliy tayyorlash”;

- hamshirani reabilitatsiya qilish jarayoni doirasida tibbiy-ijtimoiy xizmatlar ko'rsatishda individual yondashish maqsadida "Bemorning hamshiralik kuzatuv kartasi" dan foydalanish zarur;

- hamshiralarning ishining sifatini o'z vaqtida baholash uchun "Tekshiruv varaqlari" (bo'limning haftalik ma'muriy davrlari), bu esa asosiy ko'rsatkichlar samaradorligini baholash imkonini beradi.

- tibbiy ko'rsatmalarni o'z vaqtida va to'liq bajarmaslik darajasi 18 baravarga kamaydi. Sanitariya-epidemiologiya rejimiga va infeksiya xavfsizligiga rioya qilmaslik holatlari 12 barobarga, bemorni gigiyenik saqlash esa 29 barobarga kamaydi.



- 2019 yilga nisbatan Reabilitatsiya markazlarida bemorlarning qayta markazlarga yotqizilishi soni 57,9 foizga kamayganligi aniqlandi.

- 2019-2023 yillar uchun.bemorlar va ularning qarindoshlaridan kelib tushgan murojaatlar soni 2,3 barobar kamaydi.

Tibbiy aralashuvning yakuniy natijalari, bemor va bemorlarga dorilar ta'siri, kasalliklarni tashxislash va oldini olish hamshiralik xizmatining sifatiga bog'liq. So'nggi o'n yilliklarda reabilitatsiya davolash muassasalari va reabilitatsiya markazlarida hamshiralik parvarishi keng qo'llanilmoqda.

O'rganish davomida reabilitatsiya markazlarida bemorlarni kompleks reabilitatsiya qilishni amalga oshirishda hamshiralar faoliyatining yo'nalishlari o'rganilib, ularni tahlil qilish davomida tibbiy chora-tadbirlarning ustuvorligi belgilandi. Hamshiralarning reabilitatsiya faoliyatining keng doirasi belgilandi, ular nogironlarni turli xil turmush tarziga o'rgatish, nogironlar bilan yashash qobiliyatini o'rgatish, qarindoshlariga nogironlarga g'amxo'rlik qilish va reabilitatsiya qilishni o'rgatish, bu hamshiralarning rolini kuchaytiradi. ko'p professional mutaxassislar jamoasida reabilitatsiya jarayonining to'liq ishtirokchisi.

Tadqiqot davomida hamshiralar faoliyatini umumiy baholash metodologiyasi ishlab chiqildi, u to'rtta mezonga asoslanadi: tibbiy ko'rsatmalarni bajarish sifatini baholash, ruhiy kasalliklarga chalingan nogironlarni kuzatish sifati, tibbiy yordam sifati. nogironlar uchun, shoshilinch yordam ko'rsatishga tayyorlik. Ushbu mezonlarning har biri ma'lum bir mazmunga ega bo'lgan to'rt ball ko'rsatkichlari bo'yicha baholandi. Hamshiralar ishining sifatini umumiy baholash natijasida ma'lum bo'lishicha, hamshiralarning 62,3 foizi yuqori (18,5 ball) ball, 29,3% - o'rtacha (17,6 ball) va 8,4% - past (15,4 ball), bu ularning nogironlarga sifatli hamshiralik yordamini ko'rsatish uchun etarlicha yuqori malakasidan dalolat beradi.

Tadqiqot maqsadlari bilan bog'liq holda, reabilitatsiya markazlaridagi reabilitatsiya xizmatlarini ko'rsatadigan va bemorlar bilan suhbatlar asosida hamshiralar faoliyatini baholash amalga oshirildi. Nogironlarning tibbiy-ijtimoiy xususiyatlari va ularning hamshiralik xizmatiga bahosi keltirilgan. Ma'lum bo'lishicha, ijobiy baholar orasida hamshiralarning shaxsiy xususiyatlari (muvozanat, empatiya, g'amxo'rlik munosabati), shuningdek, g'amxo'rlikdan qoniqish eng ko'p afzal ko'riladi. Reabilitatsiya jarayonida mutaxassislar o'rtasida o'tkazilgan so'rov natijalariga ko'ra, shifokorlarning 52,7 foizi hamshiralik yordami sifatiga yuqori baho berishgan. Shu bilan birga, shifokorlar tomonidan qoniqarli





baholar - 47,8 foizni tashkil etdi. Hech bir mutaxassis hamshiralik xizmati sifatiga past baho bermadi. Differentsial baholash tuzilmasi tibbiy yordam sifati, tibbiy hujjatlarni yuritish, maxsus topshiriqlarni bajarish, kasbiy bilim darajasi, rehabilitatsiyaning texnik vositalarini egallash, ish vaqtini taqsimlash, hamshiralarning boshqa mutaxassislar bilan o‘zaro munosabati va darajasi kabi omillarni ajratib ko‘rsatadi. Rehabilitatsiya bo‘yicha bilimlar. Shu bilan birga, shifokorlar tibbiy yordam va tibbiy hujjatlar sifatiga yuqori baho berishdi. Maxsus topshiriqlarni bajarish sifati va rehabilitatsiya qilishning texnik vositalariga ega bo‘lish sifatini baholashda qoniqarli baholar ustunlik qiladi, bu esa ushbu ishni va bevosita rahbarlar tomonidan nazoratni yaxshilash zarurligini ko‘rsatadi. Qoniqarli baholash hamshiralarning kasbiy bilimlarini va rasmiyatchilik tufayli nogironlarga munosabatini aniqlashda ham ustunlik qiladi. Shifokorlar hamshiralarga tibbiy etika va deontologiya bo‘yicha bilimlari uchun yuqori baho beradilar.

Nogironlarni kompleks rehabilitatsiya qilishni amalga oshirishda hamshiralalar xodimlarining o‘rni va roli (hamkasbi, ijrochi, yordamchi, teng ishtirokchi) bo‘yicha, ayniqsa, shifokorlarni baholash bo‘yicha bir qator baholashlar aniqlandi. Aniqlangan faktlar tuzatishga muhtoj, chunki tibbiy-ijtimoiy yordamni tashkil etishning zamonaviy sharoitida, ko‘p professional jamoalar yaratilganda, hamshiralik xodimlariga teng huquqli ishtirokchi roli berilishi kerak.

Hamshiralalar va mutaxassis mutaxassislarning o‘zaro munosabatlari mutaxassislarning o‘zlari va hamshiralarning o‘zini o‘zi qadrlashi nuqtai nazaridan o‘rganildi. Muassasa mutaxassislarning sub'ektiv baholari ballari yig‘indisini tartiblash orqali har bir o‘zaro ta'sirga o‘ziga xos daraja beriladi. Hamshiralalar o‘rtasidagi o‘zaro munosabatlarning eng katta darajasi (1-darajali) shifokorlar bilan o‘zaro munosabatlarda, 2-chi va 3-o‘rin - ijtimoiy ishchilar va psixologlar bilan (mos ravishda). Olingan ma'lumotlar rehabilitatsiya markazlari hamshiralarning o‘z-o‘zini baholashiga to‘g‘ri keladi.

Tadqiqot maqsadlari bilan bog‘liq holda, rehabilitatsiya markazlarida bemorlarni kompleks rehabilitatsiya qilishni amalga oshirishda hamshiralarning kasbiy kompetentsiyalarini oshirish bo‘yicha chora-tadbirlar ishlab chiqildi.

Hamshiralik xodimlarining huquqiy madaniyati yetarli darajada emasligi aniqlanganidan kelib chiqib, hamshiralarning me‘yoriy-huquqiy hujjatlar, ijtimoiy himoya, ijtimoiy xizmat ko‘rsatish va bemorlarni rehabilitatsiyasi sohasidagi asosiy



me'yoriy-huquqiy hujjatlar ro'yxati bo'yicha o'qitishni kuchaytirish bo'yicha taklif ishlab chiqildi.

Hamshiralar malakasini oshirishning afzal shakllariga bo'lgan ehtiyojlarini o'rganish asosida u ishlab chiqilgan “Muassasa hamshiralarini uzluksiz kasbiy ichki tashkiliy tayyorlash dasturi” amalga oshirildi. Shuningdek, kasbiy rivojlanish davrlariga (sertifikatlash sikllariga) e'tibor qaratish tavsiya etildi. Mazkur chora-tadbirlarning amalga oshirilishi natijasida oliy malaka toifasiga ega bo'lgan o'rta tibbiyot xodimlari soni 2019-yildagi 32,9 foizdan oshdi. 2023 yilda 48,2% gacha (15,3%), birinchi malaka toifasiga ega bo'lganlar soni mos ravishda 2,7%, ikkinchisi - 2,2% ga oshdi. Reabilitatsiya markazlarida bemorlarning o'ziga xos xususiyatlarini hisobga olgan holda, hamshiralar xodimlarining faoliyat yo'nalishlari, tibbiy-ijtimoiy xizmatlar ko'rsatish uchun ish vaqtini taqsimlash, Hamshiralar kengashi a'zolari ishlab chiqilgan va taklif qilingan. Reabilitatsiya markazlarida, bo'lim hamshirasining lavozim tavsifi amalga oshirildi, unda ularning lavozim majburiyatlari kengaytirildi.

#### Adabiyotlar ro'yxati

1. Asadov D.A., Mirvarisova L.T., Aripov T.YU., YUsupaliyev B.K. Rukovodstvo dlya provedeniya akkreditatsii selskogo vrachebnogo punkta (SVP) // Tashkent, 2012, s.372-373.
2. Auxadeev E.I., Новые etapy v metodologicheskom razvitiy vostonovitel'nogo lecheniya, mediko-sotsialnoy ekspertize i reabilitatsii bolnykh i invalidov // Vertebronevrologiya, 2006 T.13, №1 s.32-37.
3. Afonina, M.A. Nauchno obosnovannyye podkhody k obespecheniyu kachestva sestrinskoy pomoshchi v kardioxirurgicheskom statsionare: avtoref. dis. ...kand. med. nauk:14.02.03/ Afonina Mariya Aleksandrovna.– M., 2013. – 26s.
4. Balaxonov M.N. Vnedrenie meditsinskoy reabilitatsii v Ros-sii. Byulleten NII sotsialnoy gigieny, ekonomiki i upravleniya zdравоохранением im. N.A. Semashko. 2002; 2: 165—169
5. Baxtina I. S., Kalinina S. A., Balandina I. N. Reabilitatsiya v sestrinskom dele. Innovatsionnyy podkhod organizatsionno\_klinicheskie aspekty, Uchenyye zapiski SPbGMU im. Akad. I. P. Pavlova • Tom XXIII • № 3 • 201, s. 18-19.
6. Biykuzieva A.A., Usmanxodjaeva A.A., Axmedova D.SH., Vysogorseva O.N. The Role of Robotic Mechanotherapy in the Recovery of



Mobility in Patients after an Acute Cerebrovascular Accident. Medico-Legal Update An International Journal, Volume 20, Number 4, October-December 2020, s. 1234-1239.

7. Biryukova, N.A. Sovremennyy podxod k otsenke kachestva sestrinskoj pomoshchi / N.A. Biryukova // Mater.vseross. foruma med. sester «Budushchee professii sozhdadim vmeste: otkrytost, dostupnost, informirovannost» 11–13 oktyabrya 2012g. – S-Pb., 2012. – S. 120 – 124.

8. Burenina I.A. Metodologicheskie osnovy sovremennoy reabilitatsii (klinicheskaya leksiya) // Vestnik sovremennoy klinicheskoy meditsiny, Tom1, Выр №1, Kazan, -2008. s.88-92.

9. Vinogradov, S.V. Sestrinskoe delo v psixiatrii i sostoyanie psixiATRICHESKOY slujby: aktualnye voprosy i puti resheniya / S.V. Vinogradov // Mater. vseross. foruma med. sester «Budushchee professii sozhdadim vmeste: otkrytost, dostupnost, informirovannost» 11–13 oktyabrya 2012g. – S-Pb., 2012. – S.163 – 166

10. Vinyarskaya, I.V. Kachestvo jizni detey kak kriteriy otsenki sostoyaniya zdorovya i effektivnosti meditsinskix texnologiy: avtoref. dis. ... d-ra med. nauk : 14.00.33 / Vinyarskaya Irina Valerevna. – M., 2008. – 44 s.

11. Gaboyan YA.S. Kontrol i otsenka deyatel'nosti sestrinskogo personala lechebnyx otdeleniy bolnitsy: avtoref. dis. ... kand. med. nauk : 14.02.03 / Gaboyan YAna Sergeevna. — M., 2010. — 25 s.

12. Gienko G. I., Palchuk E.V. Upravlenie kachestvom okazaniya sestrinskoj pomoshchi v Belgorodskoy oblastnoy klinicheskoy bolnitse Svyatitelya Ioasafa // Medsestra. - 2017. - № 2. - S. 77-81.

13. Glavatskix S.M. Faktory, vliyayushchie na kachestvo sestrinskoj pomoshchi v xirurgicheskom korpuse mnogoprofilnoy bolnitsy / S.M. Glavatskix // Aktualnye voprosy sovremennoy meditsiny : sbornik nauchnyx trudov po itogam mejvuzovskoy eJegodnoy zaochnoy nauchno-prakticheskoy konferentsii s mejdunarodnym uchastiem. — Ekaterinburg, 2014. — S. 158-163.

14. Gnatyuk O.P. Meditsinskaya pomoshch litsam pojilogo i starcheskogo vozrasta. Problemy i mexanizmy realizatsii strategii na regionalnom urovne / O.P. Gnatyuk // Vestnik Roszdravnadzora. – 2016. – №4. – S. 25 – 30.

15. Korner, Mirjam. Interprofessional teamwork in medical rehabilitation. A comparison of multidisciplinary and interdisciplinary team approach /Mirjam Korner // Clin. Rehabil. – 2010. – № 24 (8). – S. 745 – 755.

16. Laerum Sibilitz Kirstine, Kikkenborg Berg Selina, Birgitte Hansen Tina, Stelling Risom Signe, Bernholdt Rasmussen Trine, Hassager Christian, Køber Lars, Steinbrüchel Daniel, Glud Christian, Winkel Per, Caspar Thygesen Lau, Lindschou Hansen Jane, Paul Schmid Jean, Conraads Viviane, Brocki Barbara Christina, Dorthe Zwisler Ann. Effect of comprehensive cardiac rehabilitation after heart valve surgery (CopenHeartVR): study protocol for a randomized clinical trial. *Trials* 2013; 14:104. DOI: 10.1186/1745 (6215 (14 (104 available at: <http://www.trialsjournal.com/content/14/1/104>).

17. Liopa F. D, Ahern K. What makes a quality therapeutic relationship in psychiatric/mental health nursing: a review of the research literature. // *Journal of Advanced Nursing Practice*. 2009. – p.1 – 19.

18. Liu Q., Xu X. Cognition of nurses in neurology department on rehabilitation nursing // *Translational Neuroscience*. – 2019. – I. 10. – №. 1. – P. 25 – 30.

19. Parker R.D., Adams J. Activity restrictions and recovery after open chest surgery: understanding the patient's perspective. *Baylor University Medical Center Proceedings. The American Journal of Cardiology* 2008; 21 (4): 421–425.

20. O'rtta tibbiyot va dorishunos xodimlarni malakasini oshirish va ixtisoslashtirishdan o'tkazish to'g'risidagi O'zbekiston Respublikasi Sog'liqni saqlash vazirining 2015 yil "24" 08 dagi 336- sonli buyrug'i, 7 bet.

21. Barreto P. S., Greig C., Ferrandez A. M. Detecting and categorizing frailty status in older adults using a self-report screening instrument // *Arch. Geront. Geriat.* – 2012. – Vol. 54. – № 3. – P. 249 – 254.

22. Billingham K. Public health nursing in primary care. *British journal of community health nursing* 2(6): 270-274(2007).

Research Science and  
Innovation House



## TECHNOLOGICAL AND OPERATIONAL INSIGHTS INTO AIR-BASED COTTON TRANSPORTATION DEVICES

**H. E. Turdiyev**

Lecturer, Fergana Polytechnic Institute, Fergana, Uzbekistan

**O. Abdubannobova**

Student, Fergana Polytechnic Institute, Fergana, Uzbekistan

**X. Maxsudova**

Student, Fergana Polytechnic Institute, Fergana, Uzbekistan

### **Abstract**

The disadvantage of the device that transports cotton by air is the high consumption of electricity compared to the unit amount of transported material, and the rapid wear and failure of working bodies, including pipes, that are in direct contact with the transported material containing foreign bodies.

**Keywords:** Aerial Cotton Transportation, Operational Technology, Cotton Conveyance Equipment, Air Transport Systems, Cotton Handling Machinery, Agricultural Product Logistics, Pneumatic Conveying Systems, Material Handling Devices, Cotton Industry Innovations, Logistics and Distribution Technology.

### **Introduction**

In cotton ginning enterprises, a suction-type air transport device is mainly used to transport cotton (Fig. 1). It consists of the following main working elements: cotton is supplied to the pipe by means of a mechanical conveying device (1), it is transported by air along the working pipe (2), cotton is separated from heavy mixtures in the separator (3) and comes to the separator (4). Polluted air is transferred to the cyclone (8) and the dust chamber (9) through the intake air duct (5), the centrifugal fan (6) that creates pressure in the pipes, and the discharge air duct (7). They, in turn, ensure that the air is cleaned of dust before it is released into the atmosphere.



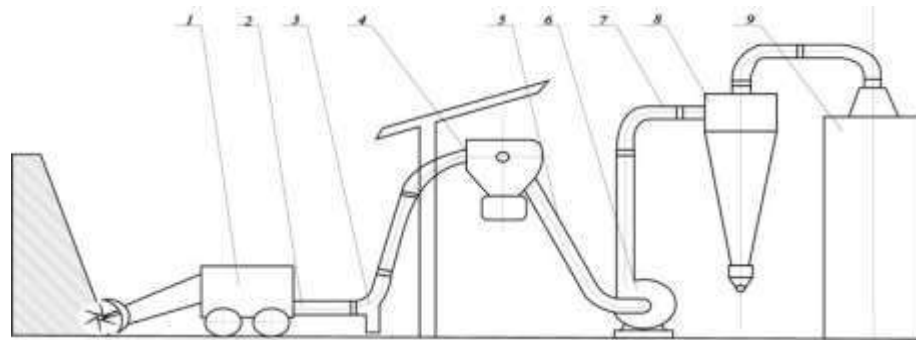


Figure 1. Air-assisted conveying device in cotton gins

1-Equipment for mechanical transfer of cotton to pipe;  
2nd working pipe; 3- stone crusher; 4- separator 5- suction air duct 6- fan; 7-  
exhaust air duct; 8th cyclone; Dust chamber 9 (I - cotton gin, II - production  
workshop).

The principle of operation of the air conveying device is that atmospheric air follows the material being transported along with it and sucks it into the pipe under the flow created due to the pressure difference. Inside the pipe, cotton moves with air and reaches the separator. The separator separates the material from the carrier air and transfers it to the technological equipment.

The advantage of the suction air conveying device is that the working pipe system can be easily changed depending on the location of the storage areas of cotton ginning enterprises, and its length can be extended by connecting additional pipes to the initial pipes. The production efficiency of the air transport device depends on the production capacity of the cotton gin (that is, the amount of raw cotton processed in one hour). For an advanced cotton gin with one battery, it is 10 tons per hour. The increase in the rate of cotton production puts the task of increasing the production capacity, increasing the productivity of the equipment, and improving the quality of the product before the cotton processing industry. The performance of these tasks depends to a large extent on the operation of the airborne carrier installed in the area. Because it is directly included in the continuous technological process of the cotton ginning enterprise and is considered an important part that determines its initial and work pace. The increase in the volume of cotton production led to the expansion of the territory of the enterprises and the increase in the length of the network of air transport devices in it, in some cases the length was 200 m or more. Since the radius of movement of a single air conveyor with a VTS-12M fan does not exceed 100-110





meters, the transportation of cotton from very distant places is usually done by connecting additional air conveyors in series. is done.

For the transportation of cotton in the technological process of the cotton ginning enterprise, the suction-type air transport device is more common. During transportation in the mode of high speed, the speed of cotton inside the pipe reaches 20–25 m/s, at this speed it hits the pipe walls, rubs, hits the turning points (shells) of the pipe, the inner walls of the separator and separator. This will definitely have a negative impact on the quality of cotton. However, one of the conditions for maintaining the quality of cotton, that is, preventing damage to the cotton seed and the appearance of technological defects in the fiber, is to choose the optimal mode for transportation by air.

Further studies [9,10] show that the deterioration of cotton quality can be reduced when metal pipes are replaced by metalpolymer pipes. When cotton is transported in metal and metalpolymer pipes, the amount of defects is 0.09 \* 0.17% and 0.14\*0.22, respectively, when the moisture content of cotton is 8.5% and the air flow speed is 23.7 and 28.2 m/s. increases to %. At the same speeds, when the humidity was increased to 24%, it was found that there were 0.14\*0.26% and 0.11\*0.3% defects.

During air transport, cotton becomes suspended. In this case, the adhesion of dirty-cotton mixtures to cotton is greatly reduced. In order to take advantage of this event, which occurs simultaneously with transportation, preliminary cleaning of raw materials from large and small impurities is carried out. In this regard, an additional set of cleaning equipment will be included in the system of the air transport device of cotton ginning enterprises. Together with the supplier and the working elements of the air transport device, they form the equipment of the air transport device system of cotton ginning enterprises [11, 12]. Now, let's take a look at the basic equipment of the cotton air conveyor system.

A shredder is used to mechanically shred the yarn and transfer the cotton evenly to the pipe. Demolition and transfer of cotton to the pipeline is carried out in the following order. The machine comes to the mine with its axle raised and begins to destroy it from top to bottom with horizontal layers. The milling machine enters the hopper, breaks the hopper, picks up the cotton and gives it to the conveyor. From it, the cotton comes to the receiving hopper of the platform, and then it is taken out by a loading conveyor.

An additional feeder is used in a number of cotton gins to facilitate the loading of cotton into the pipe of the air conveyor. It is mounted on a movable frame, the front of which consists of an open box, inside which a belt conveyor is installed, which rotates towards the open side of the box. Cotton is loaded from the side of the box with the help of a feeder, and when the belt conveyor rotates, it moves to the open part of the box, and then comes to the working pipe of the device.

The working pipeline (Fig. 2) consists of the main section and mobile links.

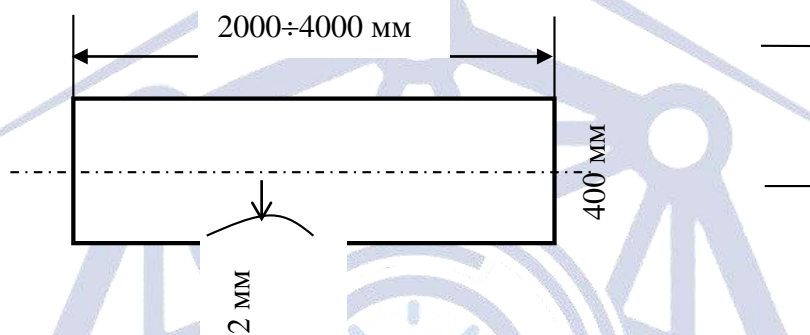


Figure 2. Working pipeline scheme

The main section is made of 2-3 mm steel sheet or asbestos-cement pipe with a diameter of 400-500 mm.

The length and layout of the pipe for transporting cotton depends on the architectural features of cotton ginning enterprises.

The main stationary pipe is 600-700 mm underground. laid in deep trenches or piers. Control wells are installed at certain intervals along the entire length of the pipeline. From here, the pipeline is branched to separate warehouses and is directed to the exit with the help of triple guides.

### Conclusion

The disadvantage of the device that transports cotton by air is the high consumption of electricity compared to the unit amount of transported material, and the rapid wear and failure of working bodies, including pipes, that are in direct contact with the transported material containing foreign bodies.





### References

1. Salimov, M. Akhmatov "Preliminary processing of cotton". Study guide. Tashkent "Knowledge" 2005
2. Babadjanov MA "Technological process design" textbook, Tashkent, Cholpon-2009.
3. J. Jabborov "Technology of seed cotton processing". "Teacher" Tashkent-1987.
4. Coordinated technology of cotton processing (PDQI-41-2009) "Uzpakhtasanoat" association. "Labor" Tashkent - 2009.
5. Zikirov, M. C., Qosimova, S. F., & Qosimov, L. M. (2021). Direction of modern design activities. Asian Journal of Multidimensional Research (AJMR), 10(2), 11-18.



---

# Research Science and Innovation House



## IMPROVEMENT OF 1VPU FIBER CLEANER

**H. E. Turdiyev**

Lecturer, Fergana Polytechnic Institute, Fergana, Uzbekistan

**F.Akhadova**

Student, Fergana Polytechnic Institute, Fergana, Uzbekistan

**O.Jurayeva**

Student, Fergana Polytechnic Institute, Fergana, Uzbekistan

### Abstract

In order to eliminate the shortcomings of the 1VPU type fiber cleaner used in cotton cleaning enterprises, we offer improved fiber cleaning equipment. The difference between this construction and the existing one is the installation of additional columns in the working chamber. As a result, the cleaning surface becomes larger and the cleaning efficiency is expected to increase by 0.5-1.0%.

**Keywords:** 1VPU fiber cleaner, fine dirt, colossal grid, fiber, efficiency.

### Introduction

In the intricate world of textile manufacturing, the meticulous cleaning of fibers stands as a linchpin for ensuring product quality and operational efficiency. Among the arsenal of equipment dedicated to this task, the 1VPU Fiber Cleaner has long been regarded as an indispensable workhorse. Its role in effectively eliminating impurities from raw fibers, thus priming them for subsequent processing stages, is pivotal in upholding the standards of modern textile production.

However, as the textile landscape evolves amidst technological advancements, market demands, and sustainability imperatives, the status quo becomes inadequate. Recognizing this imperative for continual enhancement, the focus has shifted towards optimizing the performance and capabilities of the 1VPU Fiber Cleaner.

This article embarks on a detailed exploration of the strides taken in the improvement of the 1VPU Fiber Cleaner, delving into the nuanced upgrades poised to redefine fiber cleaning practices. Through a lens of innovation, efficiency, and



sustainability, we dissect the technological advancements and operational refinements that underpin the upgraded iteration of this pivotal equipment.

From the integration of cutting-edge sensor technologies to the refinement of cleaning algorithms, each enhancement is meticulously crafted to address the evolving needs of the textile industry. Moreover, this article illuminates the far-reaching implications of these enhancements, ranging from heightened productivity and resource optimization to elevated product quality and environmental stewardship.

As we navigate through the intricacies of these improvements, we also shed light on the practical considerations and implementation challenges encountered along the way. By encapsulating real-world insights and industry expertise, this article serves as a guiding beacon for manufacturers navigating the path towards enhanced fiber cleaning operations.

Ultimately, the upgraded 1VPU Fiber Cleaner symbolizes not just an incremental advancement in technology but a transformative leap towards excellence in textile manufacturing. Through concerted efforts in innovation and continuous improvement, we propel the industry forward, unlocking new frontiers of efficiency, sustainability, and competitiveness.

### **The main part**

The competitiveness of cotton fiber in the world market is mainly determined by its appearance, fiber length, and the amount of impurities and defects in its content. After ginning, there are impurities in the cotton fiber in the form of dirt and impurities. Their amount exceeds the norms established by the UzDST standard. If the fibers are spun in such a way, then impurities, dirt and other defects will enter the fibers. This makes the work of textile factories difficult, that is, the warped cotton fibers have defects that spoil the appearance of the product.

The scientists of our country and abroad concluded that the most effective way to clean the fiber from dirt and impurities is to do it directly when it comes out of the gin. Since the ginned fiber is 0.15 - 0.25 kg/m<sup>3</sup> when ginned, it is the most convenient condition for cleaning the fiber, and the efficiency of cleaning it after the ginning process gives great results. Currently, in the sawed ginned cotton ginning enterprises, the fiber cleaning machines are used in operation. : 3-OVP-M; 3-OVP-MU; 3-OVP-M1 (after 80-saw demons) 1VP; 2VP; 1VPU; 2VPU; 1VPM; 2VPM



(after 130-saw demons).The cleaning process in single-saw cylinder fiber cleaners is as follows: the fiber coming out of the machine is fed to the saw cylinder (2) through the receiving throat (1) of the machine, and the fiber brush (3) attached to the saw teeth is thoroughly cleaned on the teeth. is put on, then dragged over the colosniks (4). Since the angle of inclination of the saw teeth is small (150), after passing through the colossal grid, under the influence of centrifugal force and air flow, the fibers are separated from the saw teeth and fed to the fiber transfer pipe through the throat (5). The fiber is finely ground due to the impact on the edge of the colostrums, and as a result of shearing and centrifugal forces, the dead, small particles and defects mixed in the fiberis separated from the fiber, then enters the waste chamber (6). To adjust the aerodynamic mode of the car, a grill (7) is installed on the rear and front sides. The main working organs of individual fiber cleaners are a saw cylinder and a colosnik grid.

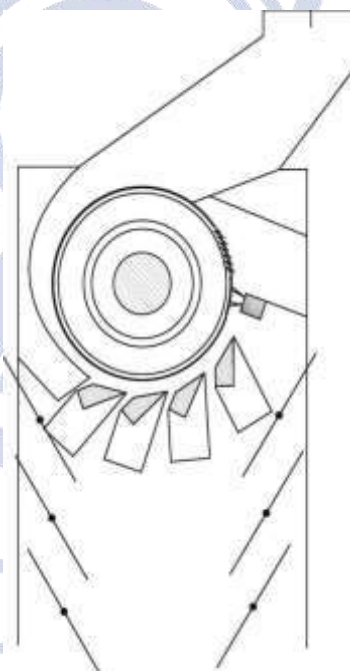


Figure 1. 1VPU fiber cleaning equipment available in the enterprise

Research Science and  
Innovation House





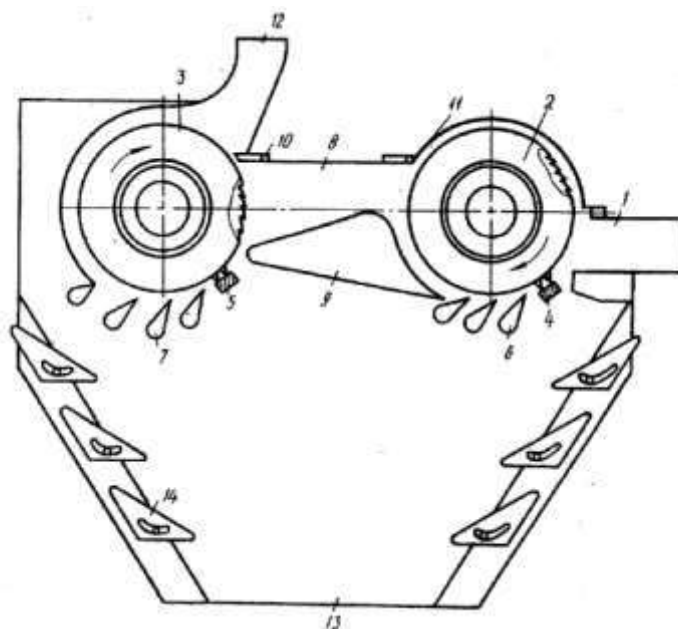


Figure 2. Offered new 1-VPU model vacuum cleaner.

1- fiber entrance, 2,3- saw cylinder, 4,5- fixed brush, 6,7- wheel 8- pipe, 9-  
guide, 10, 11- striking knife

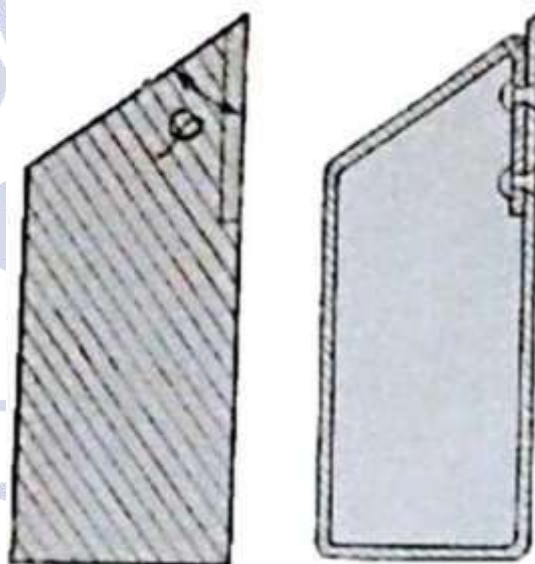


Figure 3. Proposed Colossian

### Conclusion

In order to increase the cleaning efficiency of the 1VPU fiber cleaning machine,  
we reduced the number of drums to 2 and made the colosniks lighter. Based on the



theoretical analysis, we have achieved a 10% increase in the cleaning efficiency and achieved an economy of the material used in the colosniks.

### References

1. Salimov, M. Akhmatov "Preliminary processing of cotton". Study guide. Tashkent "Knowledge" 2005
2. Babadjanov MA "Technological process design" textbook, Tashkent, Cholpon-2009.
3. J. Jabborov "Technology of seed cotton processing". "Teacher" Tashkent-1987.
4. Coordinated technology of cotton processing (PDQI-41-2009) "Uzpakhtasanoat" association. "Labor" Tashkent - 2009.
5. Zikirov, M. C., Qosimova, S. F., & Qosimov, L. M. (2021). Direction of modern design activities. Asian Journal of Multidimensional Research (AJMR), 10(2), 11-18.

---

# Research Science and Innovation House



## КАЧЕСТВО ЖИЗНИ –КАК КРИТЕРИЙ ОЦЕНКИ ТЕЧЕНИЯ ПЕРИМЕНОПАУЗЫ

Эрназарова З, Муратова Д, Турсункулова М.

### САМАРКАНДСКИЙ ГОСУДАРСТВЕННЫЙ МЕДИЦИНСКИЙ УНИВЕРСИТЕТТ

**Аннотация.** Согласно полученным данным на 1 неделе терапии имелись положительные тенденции в эмоциональной сфере в I группе у 90% женщин, во II группе 93%, в контрольной группе на 96%, к концу третьей-шестой недели значительно снизилось количество приливов и их тяжесть, уменьшились потливость, колебания А/Д, тахикардия, беспокойство, депрессия, эмоциональная лабильность, головные боли, повысилась работоспособность в I группе -92%, во II группе 94%, в контрольной группе 97% .

**Ключевые слова:** качество жизни, эндометриоз, перименопауза, ИБС. ожирение, гормональные нарушения.

**Актуальность.** К числу наиболее значимых последствий и клинических проявлений развивающегося в пери- и постменопаузальных периодах эстрогенного дефицита и оказывающих значительное влияние на качество жизни женщин переходного возраста, объединяемых в понятие «постменопаузальный синдром», относятся вегетоневротические проявления (климактерический синдром), урогенитальные нарушения, дистрофические изменения кожи, высокий риск развития атеросклероза и ишемической болезни сердца, остеопороз, психологические нарушения (Вихляева Е.М., 2008).

**Цель:** Изучить особенности и качество жизни периода перименопаузы у женщин с эндометриозом в зависимости от гормонального статуса и методов лечения.

**Материалы и методы исследования.** Были обследованы 88 женщин в периоде перименопаузы с эндометриозом в возрасте от 45 до 55 лет, обратившихся к гинекологу по поводу жалоб, связанных с проявлениями климактерического синдрома. Изучена негормональная коррекция вегетососудистых нарушений у 88 женщин в периоде перименопаузы. Пациентки были разделены на 2 группы: I группу составили 40 женщин оперированных по поводу эндометриоза из них 15 женщин перенесли-

гистероэктомия с придатками, 10-лапараскопическое прижигание очагов эндометриоза, 5-лапаратомия-эндометриомэктомия, у 10-женщин было abrasion cavi uteri, по поводу кроветечения. II группу составили 48 женщин (не оперированных по поводу эндометриоза). Контрольную группу (III) составили 35 женщин перименопаузального возраста без эндометриоза (продолжительность менопаузы - от 0 мес. до 5 лет).

Выбор препаратов обуславливался наличием показаний или противопоказаний к МГТ, и наличием вазо-моторной симптоматики, требующей коррекции.

Результаты исследования и их обсуждение.

Слабая степень выраженности климактерического синдрома по индексу Куппермана, была отмечена в I группе -40,3% пациенток, средняя-у 66% и тяжелая-у 32%, во II группе слабая степень-у 39%, средняя-51%, тяжелая-у 15%

В контрольной группе тяжесть климактерического синдрома по индексу Куппермана: слабая степень-у 18, средняя степень- у 14 %, тяжелая-у 5% . Коррекция вегетососудистых нарушений проводили препаратом Просульпин (действующее вещество-сульпирид) 50 мг, препарат назначался 2 раза в день до 16 часов дня. Контроль проводился через 1, 3, 6-недель.

Согласно полученным данным на 1 неделе терапии имелись положительные тенденции в эмоциональной сфере в I группе у 90% женщин, во II группе 93%, в контрольной группе на 96%, к концу третьей-шестой недели значительно снизилось количество приливов и их тяжесть, уменьшились потливость, колебания А/Д, тахикардия, беспокойство, депрессия, эмоциональная лабильность, головные боли, повысилась работоспособность в I группе -92%, во II группе 94%, в контрольной группе 97% .

По опроснику качества жизни -SF36, у женщин с эндометриозом в периоде перименопаузы до начала лечения, отмечалось снижение качества жизни, в I группе-у 76%, во II группе -у 55% , в контрольной группе- у 42% .

После проведенной терапии отмечалось значительное улучшение психоэмоционального состояния и повышение качества жизни пациенток как в I группе 89% , во II группе -у 95% и в контрольной- 96%.



Таким образом, проведенный обзор литературы и наши собственные исследования свидетельствуют о целесообразности лечения пациенток с эндометриозом в периоде перименопаузы с вегетососудистыми нарушениями и наличием противопоказаний к МГТ атипическим малым нейрорептиком-сульпиридом 50мг 2 раза в день до 16 часов дня, что позволяет повысить клиническую эффективность комплексного лечения и улучшить качество жизни женщин периода перименопаузы.

### Литература

1. Агабабян Л.Р., Ахмедова А.Т. Состояние шейки матки у первородящих женщин. <https://www.tadqiqot.uz/index.php/uro/issue/view/560> Том 4 № 4 (2023): ЖУРНАЛ РЕПРОДУКТИВНОГО ЗДОРОВЬЯ И УРО-НЕФРОЛОГИЧЕСКИХ ИССЛЕДОВАНИЙ
2. Зокиров Фарход Истамович ECCENTRIC PREGNANCY AND UTERINE ANOMALIES – A RARE CASES OF OBSTETRICAL HEMORRHAGE. Том 4 № 4 (2023): ЖУРНАЛ РЕПРОДУКТИВНОГО ЗДОРОВЬЯ И УРО-НЕФРОЛОГИЧЕСКИХ ИССЛЕДОВАНИЙ
3. М.Ф. Киселевич 1 В.М. Киселевич . Особенности течения беременности и родов у юных первородящих женщин. НАУЧНЫЕ ВЕДОМОСТИ Серия Медицина. Фармация. 2010. № 10 (81). Выпуск 10.
4. Цхай В.Б. Перинатальное акушерство: учеб. пособие / В.Б. Цхай. – М: Феникс, 2007. – 512 с.
5. Беременность среди подростков // ВОЗ. Информационный бюллетень. – 2014 – № 364 (сентябрь).
6. Езепчик О. А. Проблемы здоровья подростков Республики Беларусь / О. А. Езепчик, М. Ю. Сурмач // Актуальные проблемы медицины: материалы ежегодной итоговой научно-практической конференции, 22 января 2013 г. – Гродно, 2013. – Ч. 1. – С. 258–261.
7. Насирова Зебинисо Азизовна, Расулова Парвина Рустамовна, Сафарова Диёра Фархадовна, Анализ течения беременности и родов у женщин с чрезмерной прибавкой веса во время беременности во время пандемии Covid-19. Том 4 № 4 (2023): ЖУРНАЛ РЕПРОДУКТИВНОГО ЗДОРОВЬЯ И УРО-НЕФРОЛОГИЧЕСКИХ ИССЛЕДОВАНИЙ

## QUVIB O‘TISH VA QARAMA-QARSHI HARAKATLANISH BILAN BOG‘LIQ YO‘TRANSPORT HODISALANI TAXLIL QILISH

**Fozilov Sultonali Xoshimjon o‘g‘li**

Toshloq texnik hizmat ko‘rsatish texnikumi maxsus fan o‘qituvchisi,  
Farg‘ona

**Abduqodiriy Alijon Abdulaziz o‘g‘li**

Toshloq texnik hizmat ko‘rsatish texnikumi kasbiy ta‘lim o‘qituvchisi,  
Farg‘ona

**Madaliyev Oybek Jo‘raboyevch**

Toshloq texnik hizmat ko‘rsatish texnikumi 3-23 guruh o‘quvchisi, Farg‘ona

**Axmedova Zulxumor Maxmudjonovna**

Toshloq texnik hizmat ko‘rsatish texnikumi 3-23 guruh o‘quvchisi, Farg‘ona

**Yo‘ldasheva E‘zoza Husanboy qizi**

Toshloq texnik hizmat ko‘rsatish texnikumi 3-23 guruh o‘quvchisi, Farg‘ona

**Anotatsiya.** Yetakchiga ergashish holatlaridagi hodisalarning chorak qismi qarama- qarshi yo‘nalishda kelayotgan uchinchi transport vositasi bilan to‘qnashuv ila yakunlanadi, chunki xavfsizlik masofasiga amal qilmagan yetakchi ortidan harakatlanayotgan avtomobil yetakchi to‘xtaganda chap tomonga “ketib qoladi”, ya‘ni tormozlanishni o‘q chizig‘i tomonga burilish manyovri va qarama-qarshi yo‘nalishga chiqib ketish bilan birgalikda bajaradi.

**Kalit so‘zlar:** Yo‘l harakti qoidalri. Quvib o‘tish, tormozlanish, yetakchi avtomobilxavfsiz masofa

### **Kirish**

Yetakchi avtomobil keskin tormoz berganda kuzatiladigan o‘ziga xos holatlardan biri bu haydovchilarning vaqt tig‘izligida keskinto‘xtashi vabir paytningo‘zidarulnichaptomongaburishidir.

Yetakchiga ergashish holatlaridagi hodisalarning chorak qismi qarama- qarshi





yo‘nalishda kelayotgan uchinchi transport vositasi bilanto‘qnashuv ila yakunlanadi, chunki xavfsizlik masofasiga amal qilmagan yetakchi ortidan harakatlanayotgan avtomobil yetakchi to‘xtaganda chap tomonga “ketib qoladi”, ya‘ni tormozlanishni o‘q chizig‘i tomonga burilish manyovri va qarama-qarshi yo‘nalishga chiqib ketish bilan birgalikda bajaradi. 71,2 foiz holatlarda «yetakchiga ergashish–yetakchining tormozlanishi» yetakchi bilan to‘qnashuv holatida tugaydi, 2 foizdan kamrog‘i transport vositasining siltab ketishi bilan yakunlanadi, qolgan holatlarda esa (4,9 foiz) – (o‘ngdan) boshqa transport vositalarini, yo‘lchetidagi qurilmalarni, to‘siqlarni, chiroqlar tayanchini urib ketish bilan tugaydi.



1-rasm.

YTH statistikasi shuni ko‘rsatadiki, mazkur holatlarda haydovchining eng xavfli harakati chap tomonga chiqib ketishdir, chunki bunday holatlarning oqibati nihoyatda og‘irdir.

Quvib o‘tish – bu eng xavfli manyovrlardan biridir. Turli tadqiqotlar bergan ma‘lumotlarga ko‘ra, aholi punktidan tashqarida ikki bo‘lakli yo‘lda har 1500 – 2000 quvib o‘tish holatiga qarama- qarshi to‘qnashuvlar oqibatida halok bo‘lish va jarohatlanish, shuningdek quvib o‘tayotgan va quvib o‘tilayotgan transport vositasining yo‘lakay to‘qnashuvi kuzatiladigan bitta YTH to‘g‘ri keladi.

Quvib o‘tishning xavfsiz amalga oshirilishi uchun quvib o‘tayotgan avtomobil tezlikni oshirishning optimal holatini bilishi kerak.

1-jadval. Quvib o‘tayotgan va quvib o‘tilayotgan avtomobillarning masofasi va turli harakat tezliklarida quvib o‘tish vaqti (yo‘l va vaqt ma‘lumotlari chamalab berilgan)

Quvi	Quvibo‘tayotganavtomobilningtezligiV1km/s
------	---



b o‘tilayotg anavtomo bil tezligiV2 km/s	30	40	50	60	70	80	90	10	1
	Masofa, m(sonda), vaqt,s (soniyada)								
20	13 0m/15s	10 0m/10s	10 0m/8s	110 m/7s	120 m/6s	12 0m/6s	13 0m/6s	14 0m/5s	1 50m/5s
30		21 0m/19	16 0m/11s	140 m/9s	140 m/7s	15 0m/7s	15 0m/6s	16 0m/6s	1 70m/6s
40			31 0m/23s	210 m/13s	190 m/10s	18 0m/9s	18 0m/8s	19 0m/7s	2 00m/7s
50				430 m/26s	290 m/15s	25 0m/11s	23 0m/9s	22 0m/8s	2 20m/8s
60					570 m/30s	37 0m/17s	31 0m/13s	28 0m/10s	2 70m/9s
70						71 0m/33s	46 0m/19s	37 0m/14s	3 30m/11s
80							92 0m/37s	55 0m/20s	4 50m/15s
90								11 20m/40s	6 70m/22s
100									1 340m/44s





Jadvalda quvib o'tishning masofasi va vaqti berilgan bo'lib, u yengil avtomobilning 6,5 – 7,5 m dan katta avtomobilni yo'lakay quvibo'tishdagi tezligiga bog'liqdir, bunda quvib o'tish avvalidagi ular orasidagi oraliq masofa (spidometr ga ko'ra) tezlikning son jihatdan yarmigatengdir. Hayotdagi vaziyatlarda quvib o'tish jarayoniga ko'plab omillar ta'sir qiladi, ularni esa hisob kitoblarda inobatga olishning imkoni yo'qdir. Ular quvib o'tishning vaqti va masofasini qisqartirishi ham, orttirishi ham mumkin.

“Yo'lakay” quvib o'tilayotganda quvib o'tayotgan avtomobilning quvib o'tilayotgan avtomobilga nisbatan tezlik zahirasi ortiqroq bo'lib, quvib o'tish masofasi taxminan quvib o'tilayotgan avtomobil tezligidan 4 – 4,5 barobar kattadir (masalan, tezligi 40km/s bo'lgan avtomobilni quvib o'tish uchun, taxminan 180 m masofa kerak). “Kutish” bilan quvib o'tishda esa, ya'ni quvib o'tayotgan avtomobilning harakat tezligi quvib o'tilayotgan avtomobilning harakat tezligi bilan manyovr boshida teng bo'lganda bur aqam 5 – 5,5 ni tashkil etadi, demak tezlik 40 bo'lganda, taxminan 200 m masofa talab etiladi. Avtopoyezd yoki avtobusni quvib o'tayotganda esa quvib o'tish masofasi 6 -8 m li avtomobilni quvib o'tishga nisbatan 25 -50% ga ortadi. Jadvaldan ko'rinib turibdiki, quvib o'tishni amalga oshirish uchun kerakli miqdorda tezlik zahirasi ega bo'lish lozim. Agar ildamlab ketish uchun tezlikni 30 foizdan ortiqroq oshirish kerak bo'lsa yoki bo'lakka qayta tizilish uchun uni shunchaga kamaytirish kerak bo'lsa, quvib o'tish fikridan qaytmaslik lozim.

Agar qarama-qarshi yo'nalgan bo'lakka chiqqan holda quvib o'tishni bajarishga to'g'ri kelsa, qarama-qarshi tomondan kelayotgan avtomobilni o'z vaqtida ko'ra olish, ungacha bo'lgan masofani chamalash muhimdir. Yo'lning yaxshi ko'rinib turishi qarama- qarshi tomondan kelayotgan avtomobilgacha bo'lgan xavfsiz quvib o'tish masofasini ta'minlashi kerak. Bunday masofalar o'ta e'tiborga molik ekan (9 jadvalni qaraymiz), quvib o'tish hududi imkon qadar to'g'ri bo'lmog'i, unda ko'rish imkonini to'sib qo'yuvchi burilishlar, qiyalik va nishabliklar bo'lmasligi kerak. Aholipunktlaridan tashqarida quvib o'tish uchun ko'rishning eng kam masofasi 500 – 700 m, shahar sharoitida esa 300 – 400 m.

Haydovchilar ko'pincha qarama-qarshi tomondan harakatlanayotgan avtomobilgacha bo'lgan masofa va uning tezligini taxmin qilishda yanglishadilar. Bu holatni kuzatishda va ko'rish orqali ma'lumot qabul qilish qobiliyatining qator

xususiyatlariga bog‘liqdir. Agar, kuzatib turgan insonga yuk va yengil avtomobillar navbatma - navbat yaqinlashsa, birinchisining tezligi ancha kattaroq ko‘rinadi. Yaqinlashib kelayotgan avtomobilning gabaritlari qanchalik katta bo‘lsa, tezlik shunchalik katta tuyuladi. Sutkaning qorong‘u paytida yoki havo bulutligida yaqinlashib kelayotgan avtomobil tezligi kamroq tuyuladi, quvib o‘tayotgan avtomobil tezligi qanchalik ko‘p bo‘lsa, qarama-qarshi tomondan kelayotgan vaquvib o‘tilayotgan avtomobillar tezligi shunchalik kam ko‘rinadi. Shuning uchun aholi punktidan tashqarida qarama - qarshi tomondan kelayotgan avtomobil ko‘rinayotganiga nisbatan kattaroq tezlikda kelyapti deb taxmin qilish ancha xavfsizdir, shuningdek, hamisha harakat tezligini aniqlashdagi xato yoki qarama-qarshi tomondan kelayotgan avtomobil tezligining to‘satdan oshirilib qolishini o‘ylagan holda masofa zahirasini yaratish kerak bo‘ladi.

Transport vositasini quvib o‘tish haydovchilar uchun engxavfli manyovr hisoblanadi. Shuning uchun quvib o‘tish paytida haydovchi nihoyatda ehtiyotkor bo‘lmog‘i lozim. Noto‘g‘ri quvib o‘tish yo‘l-transport hodisasining sababiga aylanishi va nafaqat haydovchining, balki harakatni boshqa ishtirokchilarining ham jiddiy jarohat olishlariga sabab bo‘lishi, xayotiga xavf solishi mumkin.

Aholi punktidan tashqarida ikki bo‘lakli shosseda quvib o‘tishni haydovchi yo‘lni keraklicha uzoq masofadan ko‘rib olgandagina bajarishtavsiya etiladi.

Amaliy tavsiya: quvib o‘tilayotgan avtomobil 40km/s tezlikda harakatlanayotgan bo‘lsa, yo‘lning 400 m ni ko‘rish kerak bo‘ladi, quvibo‘tilayotgan avtomobil 80 km/s tezlikda harakatlanayotgan bo‘lsa, qarama- qarshi bo‘lakning 800 m dan kam bo‘lmagan masofasini ko‘rish kerak. Quvib o‘tishni boshlashdan avval, yo‘lni yaxshiroq ko‘rib olish uchun quvib o‘tilayotgan avtomobilga o‘ta yaqinlashib ketishkerak emas.

Katta gabaritli avtomobillarniki chik masofalardan quvibo‘tilayotganda xavfli vaziyatlar ko‘proq yuzaga keladi.

Tor va ayniqsa sirpanchaq yo‘llarda katta gabaritli transportvositalarini quvibo‘tishdan saqlanmoq kerak. Agar haydovchi quvib o‘tishni amalga oshirishga qat’iy qaror qilgan bo‘lsa, uni bajarishdan oldin quvib o‘tilayotgan transport vositasi uchun harakatlanishda biror xalaqit qiluvchi (yo‘lning torayishi, yo‘l chetida yoki yo‘lda turgan avtomobil) yo‘qligiga ishonch hosil qilmog‘i lozim. Buning uchun yo‘l kengligi bo‘ylab biroz surilish, ovozli yoki yorug‘lik ishorasini berish kerak, bunda quvib o‘tilayotgan avtomobil haydovchisi sizni tushunganligi va o‘z harakat bilan



quvib o‘tishga halal bermasligiga ishonchingiz komil bo‘lmog‘i kerak.

Quvib o‘tishni ketma-ket bajarishda avval,ko‘rish imkoniyatini oshirish maqsadida yo‘lning eni bo‘ylab surilish kerak.

Yo‘l harakatidagi odatiy holatlardan biri bu – «ikki quvib o‘tish». Quvib o‘tishni amalga oshirishda, manyovrni boshlashdan bir oz avval burilish ishorasini oqish,ovoz yoki yorug‘lik ishorasini berish kerak.Ovozli yoki yorug‘lik ishorasini berishdan avval,bu ishoralar quvibo‘tishni boshlagan birorta haydovchiga xalaqit qilmasligiga amin bo‘lmoq kerak. Biroq, quvib o‘tayotgan haydovchiga biror xavf solayotgan bo‘lsayu,o‘zi bundan bexabar harakatlanishda davom etsa, quvib o‘tilayotgan avtomobil haydovchisi ovoz yoki yorug‘lik ishorasi bilan uni ogohlantirishi kerak, jumladan chap tomonga qayrilish chirog‘ini ham yoqish mumkin.

#### Faydalanilgan adabiyotlar:

1. Е.И. Пасынков» «Физиотерапия» .Издательство» Москва.1975.279с.
2. Пирейский Н.В .»Диссертация доктора наук »О естественных песочных ваннах.»Россия 1889год.
3. Патент РФ 2045720.
4. Умаров Г.Я., Аvezов Р., Икрамов А.М. Использование солнечной энергии для сушки фруктов и овощей.-Консервная и овощная промышленность, 1978,Ш. с.22-23.
5. Файзиев П.Р.Турдиев М.,Солнечная многофункциональная сушилка для сушки сельскохозяйственной продукции «.Истемол бозорини сифатли озик-овкат махсулотларини билан таъминлаш фаравонлик ва таракитининг мухим омили» Республика илмий ва илмий-амалий анжумани, 2018й.4-5 май Фаргона,Ферпи.
6. Умаров Г.Г. Мирзиеев Ш.М.,Юсупбеков О.Н. «Гелиосушилка сельхозпродуктов» Ташкент. Фан.1994. 152с.
7. Клычев Ш.И. Мухаммадиев,М .М. Аvezов Р.Р.и др. «Нетрадиционные и возобновляемые источники энергии «Ташкент.Изд. «Фан»ватехнология. 2010.192с.

8. Файзиев, П. Р., Исмадиёров, А., Жалолдинов, Г., & Ганиев, Л. (2021). Солнечный инновационный бытовой водонагреватель. *Science and Education*, 2(6), 320-324
9. Khujamqulov, S. (2023). Measures to protect the environment from the harmful effects of motor transport. *European Journal of Emerging Technology and Discoveries*, 1(4), 8-13.
10. Ogli, K. S. U. (2022). Analysis of passenger flow of bus routes of fergana city. *International Journal of Advance Scientific Research*, 2(10), 32-41.
11. Khujamqulov, S. (2022). Analysis Of Existing Methods and Means of Monitoring the Technical Condition of Motor Vehicles. *Eurasian Journal of Engineering and Technology*, 9, 62-67.
12. Fayzullayev, X., & Mirtemirov, . A. . (2023). Avtomobil dvigatelining moylash tizimiga texnik xizmat ko'rsatish va ta'mirlash ishlari texnologiyasi. *Zamonaviy Dunyoda Innovatsion Tadqiqotlar: Nazariya Va Amaliyot*, 2(6), 31–35.
13. Fayzullayev Xaydarali, Ne'matov Ibrohimjon Alijon o'g'li. (2023). Avtomobillarga texnik xizmat ko'rsatish sohasida avtoservisni rivojlantirish tajribasi va istiqbollari. «zamonaviy Dunyoda Ilm-fan Va Texnologiya» Nomli Ilmiy-amaliy Konferensiya, 2(4), 62–65.
14. Sahtarov, X. A. O., & Fayzullayev, X. (2022). Alternativ yoqilg'ilarda ishlaydigan avtomobil konstruksiyalari tahlili. *Academic research in educational sciences*, 3(4), 1080-1087.
15. Ikromov, I. A., Abduraximov, A. A., & Fayzullayev, H. (2021). Experience and prospects for the development of car service in the field of car maintenance. *ISJ Theoretical & Applied Science*, 11(103), 344-346.
16. Maxammadjon Qobulov, Asrorjon Ismadiyrov, Xaydarali Fayzullayev. Analysis of the braking properties of the man cla 16.220 for severe operating conditions. *European International Journal of Multidisciplinary Research and Management Studies*. 2022/3/31
17. Xaydarali Fayzullayev. Vehicle Motion Model with Wheel Lock. *Eurasian Journal of Engineering and Technology*. 2022/9/14
18. Xolahmad Abduholiq O'g'li Sahtarov, Xaydarali Fayzullayev. *Academic research in educational sciences*. 2022.



19. Maxammadjon Alijon O'G'Li Qobulov, Asrorjon Anvarjon O'G'Li Ismadiyorov, Xaydarali Fayzullayev. Academic research in educational sciences. 2022.
20. Fayzullaev Xaydarali. Analysis of the chemical composition of car tire rubber International Journal of Advance Scientific Research. 2022/12/24.
21. Xaydarali Fayzullayev, Azamat Mirtemirov. Avtomobil dvigateling moylash tizimiga texnik xizmat ko'rsatish va ta'mirlash ishlari texnologiyasi. Инновационные исследования в современном мире: теория и практика. 2023/2/9
22. Xaydarali Fayzullayev, Ibrohimjon Ne'matov. Avtomobillarga texnik xizmat ko'rsatish sohasida avtoservisni rivojlantirish tajribasi va istiqbollari. Наука и технология в современном мире. 2023/1/30.
23. Bazarov Bakhtiyor Imamovich, Akhmatjanov Ravshanjon Nematjonovich, Fayzullayev Khaydarali, Odilov Odiljon Zokirjonovich, Otabayev Nodirjon Ibragimovich. Performance Indicators of a Passenger Car with a Spark Ignition Engine Functioning With Different Engine Fuels. Annals of the Romanian Society for Cell Biology. 2021/4/17
24. С.М.Ходжаев, М.С.Низомиддинова, Ч.О.Камбарова, & Н.С.Ходжаева (2022). Организация станции технического обслуживания при Ферганском политехническом институте. Science and Education, 3 (10), 265-274.
25. Обидов, Н. Г. (2019). Фрезерные дорожные машины в условиях эксплуатации в жарком климате узбекистана. In Подъемно-транспортные, строительные, дорожные, путевые машины и робототехнические комплексы (pp. 377-379).
26. Gayrat, B., Bekhzod, U., & Nuriddin, O. (2022). Determination of angles of sliding and rolling of potato tubers on surfaces consisting of different materials. Universum: технические науки, (4-12 (97)), 24-26.
27. Бахадиров ФА, У. Б. (2021). Обидов НФ Картошка туганакларини саралаш учун янгича конструкциядаги барабанли саралаш машинаси. Научно-технический журнал ФерПИ. Фергана, (1).
28. Таджиходжаева, М. Р., & Обидов, Н. Г. Конструктивные системы в природе и дорожных машинах. Рецензенты: генеральный директор РУП «Гомельавтодор» СН Лазбекин, 124.



29. Xujamkulov, S., Abdubannopov, A., & Botirov, B. (2021). Zamonaviy avtomobillarda qo'llaniladigan acceleration slip regulation tizimi tahlili. *Scientific progress*, 2(1), 1467-1472.
30. Xujamqulov, S. U., Masodiqov, Q. X., & Abdunazarov, R. X. (2022, March). Prospects for the development of the automotive industry in uzbekistan. In *E Conference Zone* (pp. 98-100).
31. Meliboyev, A., Khujamqulov, S., & Masodiqov, J. (2021). Univer calculation-experimental method of researching the indicators of its toxicity in its management by changing the working capacity of the engine using the characteristics. *Экономика и социум*, (4-1), 207-210.
32. Xujamqulov, S. U. O. G. L., & Masodiqov, Q. X. O. G. L. (2022). Avtotransport vositalarining ekspluatatsion xususiyatlarini kuzatish bo'yicha vazifalarni shakllantirish. *Academic research in educational sciences*, 3(4), 503-508.
33. Masodiqov, Q. X. O. G. L., Xujamqulov, S., & Masodiqov, J. X. O. G. L. (2022). Avtomobil shinalarini ishlab chiqarish va eskirgan avtomobil shinalarini utilizatsiya qilish bo'yicha eksperiment o'tkazish usuli. *Academic research in educational sciences*, 3(4), 254-259.
34. Khujamkulov, S. U., & Khusanjonov, A. S. (2022). Transmission system of parallel lathe machine tools. *ACADEMICIA: An International Multidisciplinary Research Journal*, 12(2), 142-145.
35. Umidjon o'g'li, K. S., Khusanboy o'g'li, M. Q., & Mukhammedovich, K. S. (2022). The formation of tasks for overview of operating properties of vehicles. *American Journal Of Applied Science And Technology*, 2(05), 71-76.
36. Khujamqulov, S. (2022). A method of conducting experiments on the production of car tires and the disposal of obsolete car tires. *Science and innovation*, 1(A3), 61-68.
37. Qobulov, M., Jaloldinov, G., & Masodiqov, Q. (2021). Existing systems of exploitation of motor vehicles. *Экономика и социум*, (4-1), 303-308.
38. Ходжаев С.М., Рахмонова С.С. (2022). Экономия ресурсов при эксплуатации, обслуживании автомобильной техники. *Американский журнал междисциплинарных исследований и разработок*, 5, 18-27.
39. Otabayev, N. I., & Xodjayev, S. M. Measurement of tires pressure and load weight on the.



40. Abduraxmonov, A. G., Xodjayev, S. M., Otaboyev, N. I., & Abduraximov, A. A. (2022). Formation of products from powdered polymers by rotational and blowing method. *European International Journal of Multidisciplinary Research and Management Studies*, 2(03), 41-51.
41. Maxmudov, N. A., Ochilov, T. Y., Kamolov, O. Y., Ashurxodjaev, B. X., Abdug'aniev, S. A., & Xodjayev, S. M. (2021). TiN/Cr/Al<sub>2</sub>O<sub>3</sub> AND TiN/Al<sub>2</sub>O<sub>3</sub> hybrid coatings structure features and properties resulting from combined treatment. *Экономика и социум*, (3-1), 176-181.
42. Xodjayev, S., Xusanjonov, A., & Botirov, B. (2021). Transport Vositalari Dvigatellarida Dimetilefir Yoqilg'isidan Foydalanish. *Scientific progress*, 2(1), 1531-1535.
43. Xodjayev, S., Xusanjonov, A., & Botirov, B. (2021). Gibrid dvigatelli avtomobillardan foydalanib ichki yonuv dvigatellari ishlab chiqargan quvvat samaradorligini oshirish va atrof-muhitga chiqarilayotgan zararli gazlarni kamaytirish. *Scientific progress*, 2(1), 1523-1530.
44. Qobulov, M., Ismadiyurov, A., & Fayzullayev, X. (2022). Analysis of the braking properties of the man cla 16.220 for severe operating conditions. *European International Journal of Multidisciplinary Research and Management Studies*, 2(03), 52-59.
45. Qobulov, M., Ismadiyurov, A., & Fayzullayev, X. (2022). Overcoming the Shortcomings Arising in the Process of Adapting Cars to the Compressed Gas. *Eurasian Research Bulletin*, 6, 109-113.
46. Qobulov, M. A. O. G. L., Ismadiyurov, A. A. O. G. L., & Fayzullayev, X. (2022). Yengil avtomobillarga siqilgan gazga moslashtirish jarayonida yuzga keladigan kamchiliklarni bartaraf etish. *Academic research in educational sciences*, 3(4), 471-477.
47. Fayziev, P. R., Tursunov, D. M., Khujamkulov, S., Ismandiyarov, A., & Abdubannopov, A. (2022). Overview of solar dryers for drying lumber and wood. *American Journal Of Applied Science And Technology*, 2(04), 47-57.



## MADANIY-TARIXIY TURIZMNING MOHIYATI VA UNING O‘ZIGA XOS XUSUSIYATLARI

**Jumaniyazova Ozodaxon Zaripboy qizi**

Bux.DU.Turizm mutaxassisligi, 1-kurs magistranti

[ozodaxonjumaniyazova0@gmail.com](mailto:ozodaxonjumaniyazova0@gmail.com)

**Xamroyev Xalim Rozikovich**

Buxoro, BDU. professor, i.f.n.

**Annotatsiya:** Maqolada madaniy-tarixiy turizm tushunchasi, uning tarixi, kelib chiqishi, uning turizm sohasidagi o‘rni va o‘ziga o‘ziga xos xususiyatlari ochib berilgan va bugungi kunda madaniy-tarixiy turizmning ahamiyati qay darajada ekaligi o‘rganilgan. Ushbu maqola yozilishidan asosiy maqsad “Madaniy-tarixiy turizmning mohiyati va uning xususiyatlari” haqida umumiy ma`lumot berish. Tadqiqot natijalari shuni ko`rsatadiki, madaniy-tarixiy turizm o`zining ko`p turlilik xususiyatlari orqali nafaqat turizm sohasini, balki davlat iqtisodi va boshqa ko`plab xizmat ko`rsatish sohalarini rivojlantirishi mumkin.

**Kalit so‘zlar:** turizm, madaniy-tarixiy turizm, madaniy meros, madaniy-tarixiy obidalar, madaniy xilma-xillik.

**Аннотация:** В статье раскрывается понятие культурно-исторического туризма, его история, происхождение, его место в сфере туризма и его специфические особенности, а также исследуется, в какой степени значимость культурно-исторического туризма сегодня. Основная цель написания данной статьи – предоставить общую информацию о «Сущности культурно-исторического туризма и его особенностях». Результаты исследования показывают, что культурно-исторический туризм благодаря своим многообразным особенностям может развивать не только туристическую сферу, но и государственную экономику, и многие другие сферы услуг.

**Ключевые слова:** туризм, культурно-исторический туризм, культурное наследие, культурно-исторические памятники, культурное разнообразие.

**Abstract:** The article reveals the concept of cultural-historical tourism, its history, origin, its place in the field of tourism and its specific features, and it is studied to what extent the importance of cultural-historical tourism is today. The main purpose of writing this article is to provide general information about “Essence





of cultural-historical tourism and its features”. The results of the research show that cultural-historical tourism can develop not only the tourism sector, but also the state economy and many other service sectors through its diverse features.

**Key words:** tourism, cultural-historical tourism, cultural heritage, cultural-historical monuments, cultural diversity.

### **Kirish.**

Turizm milliy iqtisodiyotga yuqori daromad keltiradigan istiqbolli soha boʻlib, jahon iqtisodiyotining yetakchi tarmoqlaridan biri hisoblanadi. Sayyohlik sohasida taraqqiyotga erishgan baʼzi mamlakatlarning asosiy daromad manbai ham aynan turizm hisoblanadi. Mamlakatimiz boshqa koʻplab sohalar kabi turizm sohasida ham katta imkoniyatlarga ega davlatdir. Oʻzbekistonda turizm sohasining 10 ga yaqin turi mavjud boʻlib, ayniqsa ular orasida madaniy-tarixiy (tarixiy shaharlar va madaniy yodgorliklarni ziyorat qilish) turizm yetakchilar qatorida turadi. Shu sababli, keyingi yillarda davlatimiz tomonidan mazkur yoʻnalishni rivojlantirish boʻyicha koʻplab qaror va farmonlar qabul qilinmoqda. Jumladan, “Respublikaning turizm salohiyotini jadal rivojlantirish hamda mahalliy va xorijiy turistlar sonini yanada oshirishga doir qoʻshimcha chora-tadbirlar toʻgʻrisida” gi Oʻzbekiston Respublikasi Prezidentining 26.04.2023 yildagi PQ-135-son Qarori<sup>1</sup>da “Respublikaning turizm salohiyatidan toʻliq va samarali foydalanish, mavjud resurslar va imkoniyatlardan har tomonlama foydalanish hisobiga turizm sohasida faoliyat yuritayotgan tadbirkorlik subyektlari uchun qoʻshimcha sharoitlar yaratish maqsadida hududlarning turizm salohiyatini oʻrganish, hudud va uning tarixi, turistik obyektlari va oʻziga xos xususiyatlari toʻgʻrisida turli tillarda kontentlar yaratish, ularni targʻibot qilish hamda turpaketlar yaratishda yordam koʻrsatish” kabi bir qator vazifalar belgilab olindi hamda Oʻzbekiston Respublikasi Prezidentining “Turizm, sport va madaniy meros sohalarida davlat boshqaruvi tizimini yanada takomillashtirish chora-tadbirlari toʻgʻrisida” 2021-yil 6-apreldagi PF-6199-son Farmoni hamda “Oʻzbekiston Respublikasi Turizm va sport vazirligi huzuridagi Madaniy meros agentligi faoliyatini tashkil etish hamda sohani innovatsion rivojlantirish chora-tadbirlari toʻgʻrisida” 2021-yil 19-iyundagi PQ-5150-son qarori<sup>2</sup>

<sup>1</sup> Oʻzbekiston Respublikasi Prezidentining “Respublikaning turizm salohiyotini jadal rivojlantirish hamda mahalliy va xorijiy turistlar sonini yanada oshirishga doir qoʻshimcha chora-tadbirlar toʻgʻrisida” 26.04.2023 yildagi PQ-135-son Qarori. // [www.lex.uz](http://www.lex.uz)

<sup>2</sup> Oʻzbekiston Respublikasining “Turizm, sport va madaniy meros sohalarida davlat boshqaruvi tizimini yanada takomillashtirish chora tadbirlari toʻgʻrisida” gi PF-6199- farmoni. 2021 yil 6-aprel. // [www.lex.uz](http://www.lex.uz)



ijrosini ta'minlash maqsadida O'zbekiston Respublikasi Vazirlar Mahkamasining “O'zbekiston Respublikasi Madaniy meros agentligi to'g'risidagi nizomni tasdiqlash haqida” 2023-yil 21-avgustdagi PQ-0636-sonli qarori<sup>3</sup> tasdiqlandi. Moddiy madaniy meros obyektlarini aniqlash, hisobga olish, muhofaza qilish, targ'ib qilish, davlat reyestri, elektron katalogi, davlat kadastrini yuritish, qo'riqlanadigan hududlarni belgilash hamda sohada davlat nazoratini amalga oshirish kabilar agentlikning asosiy vazifalari sifatida belgilandi. Bu esa mamlakatimizda madaniy-tarixiy turizmni yanada rivojlantirishga oid tizimli ilmiy-metodologik tadqiqotlar olib borish muhimligidan dalolat beradi. Madaniy-tarixiy turizmning hozirgi holatini, uni rivojlantirish istiqbollari va milliy iqtisodiyotga ta'sirini tahlil qilish dolzarbdir. Shunday qilib, biz avvalo “madaniy-tarixiy turizm” tushunchasining mazmun-mohiyatini aniqlab olishimiz lozim.

#### **Mavzuga oid adabiyotlar sharhi.**

Ilmiy adabiyotlarda madaniy-tarixiy turizmning turli tadbirlari tavsifini topish uning o'zi haqidagi tushunchadan ko'ra osonroqdir. Ushbu faoliyat ko'pincha tarixiy inshootlar va joylarga, muzeylarga, galereyalarga, meros hududlariga, qal'alarga, cherkovlarga va boshqalarga tashrif buyurish, zamonaviy san'at, haykaltaroshlik yoki tasviriy san'atni kuzatish sifatida tavsiflanadi.<sup>4</sup>

Makkercher ta'kidlashicha, “madaniy turizm, shubhasiz, turizmning “eng zamonaviy” turlarining eng qadimiy turidir: odamlar Rim davridan buyon “madaniy sabablar” deb atalgan sabablarga ko'ra sayohat qilishgan; farqi shundaki, ular bugungi kungacha alohida sayohatchilar sifatida qabul qilinmagan. Ziyoratchilarning sayohatlari, tarixiy joylarga tashrif buyurish, maxsus tadbirlar, bayramlar va marosimlar azaldan ma'lum bo'lgan”<sup>5</sup>.

Krispin Raymond Yangi Zelandiyada ijodiy turizm asoschilaridan biri. U turizmning bu turi turizm boshlanganidan beri mavjud bo'lganligini va u faqat individual unvonga ega bo'lganligini aytadi.<sup>6</sup>

<sup>3</sup> O'zbekiston Respublikasi Vazirlar Mahkamasining “O'zbekiston Respublikasi Madaniy meros agentligi to'g'risidagi nizomni tasdiqlash haqida” 21.08.2023-yildagi PQ-0636-son Qarori.// [www.lex.uz](http://www.lex.uz)

<sup>4</sup> Jelincic DA. Splintering of tourism market: new appearing forms of cultural tourism as a consequence of changes in everyday lives. Collegium Antropologicum 2009, 33(1):259–266.

<sup>5</sup> Mc Kercher B, du Cros H. Cultural tourism – The partnership between tourism and cultural heritage. New York: The Haworth Press; 2002. 250 p.

<sup>6</sup> Raymond C. Our story [Internet]. 2009. Available from: [http://www.creativetourism.co.nz/aboutus\\_ourstory.html](http://www.creativetourism.co.nz/aboutus_ourstory.html) [accessed November 21, 2015].





Undan tashqari, olimlardan biri S.Medlik aytishicha “Madaniy turizm tarixiy joylar va yodgorliklarga, muzey va galereyalarga, san’at namoyishlariga va festivallarga, jamoalarning hayot tarziga tashrif buyurish kabi madaniy qiziqishlar bilan motivlangan maxsus manfaatli ta’til” hisoblanadi.

K. Methan ta’kidlaydiki, “Madaniy turizm turizmning boshqa turlari va rivojlanish vositalaridan farqli o‘laroq, bir o‘ziga xos afzalliklarga ega – biznesning bu shakli nisbatan kam kapital qo‘yilmalarni talab qiladi va ancha yuqori daromad keltiradi – turizm faoliyati bilan chambarchas bog‘liq bo‘lganligi sababli mahalliy ishlab chiqarish oshadi”.<sup>7</sup>

Gollandiyalik tadqiqotchi Richard Greg madaniy-tarixiy turizmni “kishilarning o‘z madaniy ehtiyojlarini qondirish uchun yangi ma’lumotlar va tajriba to‘plash maqsadida odatiy yashash joyidan uzoqda joylashgan madaniy, diqqatga sazovor joylarga borishi” deya ta’riflaydi.<sup>8</sup>

Rossiyalik mutaxassis Y.V. Kolotova madaniy-tarixiy turizmni “mamlakatning barcha imkoniyatlarini o‘z ichiga olgan an’ana va urf-odatlar, uy xo‘jaligining o‘ziga xos xususiyatlari bilan bog‘langan ijtimoiy-madaniy muhit salohiyati” deya ta’riflaydi.<sup>9</sup>

G. Karpov, L.Xorovalar esa madaniy va tarixiy turizmni “kishilarning yangi axborot, tajriba va taassurotlarga ega bo‘lish uchun madaniy diqqatga sazovor joylar, muzeylar va tarixiy joylar, san’at galereyalari, musiqa va drama teatrlari, konsert maydonchalari, ijrochilik san’ati, klassik qadriyatlar hamda tarixiy merosni aks ettiruvchi mahalliy aholining an’anaviy dam olish hududlari, innovatsion badiiy ijodiyot uylariga tashrif buyurishi” deb hisoblaydilar.<sup>10</sup>

M. Robinsonning fikricha, madaniy-tarixiy turizm kontekstida madaniy meros tushunchasi o‘zgargan va hozir ham doimiy ravishda o‘zgarib bormoqda.<sup>11</sup> Sobiq sanoat shaharlariga hozir sayyohlar tez-tez tashrif buyurishadi. Masalan, Germaniyada, Rur mintaqasida, sobiq po‘lat ishlab chiqarish va ko‘mir konlari hududlarida muzeylar, zamonaviy san’at galereyalari, omma oldida namoyish

<sup>7</sup> Meethan K. *Tourism in global society: place, culture, consumption*. New York: Palgrave; 2001. 226 p.

<sup>8</sup> Richards, G. (1996) *Cultural Tourism in Europe*. CABI, Wallingford. [1, c. 45]

<sup>9</sup> Колотова Е. В. Рекреационное ресурсоведение: Учеб. пособие. - М.: РМАТС. [1, с. 92-93]

<sup>10</sup> Карпов Г.А., Хорева Л.В. Экономика и управление туристской деятельностью. СПб., 2011. 268 с. [2.с.135]

<sup>11</sup>Robinson M. The experiences of cultural tourism [Internet]. 2008. Available from:

<http://mg.kpd.lt/users/www/uploaded/3%20Forum%20publ%20on%20cultural%20heritage%20and%20tourism.pdf> [accessed February 7, 2016].



etiladigan san'at asarlari, bog'lar va sayyohlarning dam olishi va bo'sh vaqtini o'tkazishi uchun zarur bo'lgan boshqa obyektlar mavjud turistik diqqatga sazovor joylar tarmog'iga aylandi. Bundan tashqari, ijtimoiy jarohatlar va sobiq harbiy mojarolar bo'lgan joylarga har qanday avlod sayyohlari tez-tez tashrif buyurishadi. Chet ellik sayyohlar Belfastdagi (Shimoliy Irlandiya) turar-joy mavzellariga borishni afzal ko'radilar, u yerda ular harbiylashtirilgan tashkilotlar a'zolari tomonidan qoldirilgan rang-barang rasmlarni ko'rishlari mumkin; bu chizmalar o'sha joydagi siyosiy-diniy guruhlarining unchalik eski bo'lmagan zo'rvonliklari haqida hikoya qiladi.<sup>12</sup>

Mamlakatimiz olimlari va tadqiqotchilari I.S.To'xliyev, R.Amriddinova, Sh.Ro'ziyev, O.Xamidov, N. Ibadullayev, F.Aziztoyeva, B. Mamatov va boshqalarning ilmiy asarlarida turizm sohasini rivojlantirishning nazariy va amaliy jihatlariga doir ko'plab masalalar yoritilgan.

Tadqiqotchi Sh. Ro'ziyev madaniy-tarixiy turizmning tashkiliy-iqtisodiy mexanizmini takomillashtirishda yaratiladigan konsepsiyalar, metodlar va turistik faoliyat subyektlarining o'zaro integratsiyasini amalga oshiruvchi indikativ boshqaruv metodikasini yoritib bergan.<sup>13</sup>

Iqtisodchi olim O.H.Xamidovning e'tirof etishicha “Turizm murakkab, ko'p qirrali tushuncha bo'lib, u ... boy va xilma-xil tabiat, madaniy-tarixiy obyektlardan tabiat muhofazasi va ekologik xavfsizlikni ta'minlash asosida tomosha qilish orqali samarali foydalanish yo'nalishlarini belgilaydi.”<sup>14</sup>

### **Tahlil va natijalar.**

Madaniy-tarixiy turizm - turistlarning ma'lum bir xalq tarixiga, shuningdek, umuminsoniy madaniy qadriyatlarga qiziqishi ortishi tufayli rivojlanayotgan aholi merosini o'z ichiga olgan turizm turidir. Turizmning ushbu turining mashhurligi turistlarning madaniy-tarixiy turizmning turistik xizmatlarini to'g'ri idrok etishlari uchun ega bo'lgan ma'lumot darajasi va madaniy bilimlari bilan ham bog'liq. Turizmning bu turi madaniyat va tarixga, boshqa xalqlar hayotining o'ziga xos xususiyatlariga ishtiyoqli va qiziqqan odamlar uchun eng qiziqarlidir. Madaniy-tarixiy turizm sayyohlarning dunyoqarashini kengaytiradi, boshqa xalqlar

<sup>12</sup> Northern Ireland Murals, Pictures of Belfast Murals [Internet]. Available from: <http://www.peacelinetours.co.uk/murals.html> [accessed February 7, 2016].

<sup>13</sup> Международный туризм сократился в 2020 году до уровня 1990 год. <https://www.interfax.ru/>

<sup>14</sup> Xamidov O.X., O'zbekistonda ekologik turizmni rivojlantirishni boshqarishni takomillashtirish: muammo va yechimlar// Monografiya. - T.: Iqtisodiyot, 2016. 203b.





madaniyatini hurmat qilishni targ‘ib qiladi, sayyohlarga yangi narsalarni o‘rgatadi.<sup>15</sup>

Bizning fikrimizcha, mamlakatlar va xalqlar madaniyati turistik qiziqishning asosiy elementlaridan biridir. Turistlarning turli shaharlarga, dunyoning chekka burchaklariga va ularda istiqomat qiladigan xalqlarga bo‘lgan qiziqishi sayohat qilishning eng kuchli rag‘batlantiruvchisidir. Shuning uchun turizm boshqa madaniyatlar bilan, boshqa xalqlarning tarixi va hayoti bilan, badiiy asarlar bilan tanishishning eng yaxshi usuli hisoblanadi.

Madaniy - tarixiy turizm boshqa dam olish turlariga qaraganda muhim afzalliklaridan biri – u butun yil davomida talabga ega bo‘lib, uning sezilarli farqi mavsumiy emasligidir. Turistik jozibadorlikni shakllantirish uchun madaniy-tarixiy turizm quyidagi jihatlarni o‘z ichiga olishi kerak (**1-rasm**).



---

# Research Science and Innovation House

<sup>15</sup> Сущинская М. Д. Культурный туризм: учебное пособие для СПО / М. Д. Сущинская. - 2-е изд., испр. и доп. - М.: Издательство Юрайт, 2018. - 157 с. [Электронный ресурс]: официальный сайт - Режим доступа: [www.bibliy-online.ru/book/615AAB6A-E4A3-4B58-8BE3-7184CC772986](http://www.bibliy-online.ru/book/615AAB6A-E4A3-4B58-8BE3-7184CC772986).



## 1. - rasm. Tarixiy-madaniy turizmning mazmuni<sup>16</sup>

1-rasmda keltirilgan jihatlar madaniy-tarixiy turizmning mohiyatini ochishi bilan birga, uning o'ziga xos jihatlarini ham yoritib beradi.<sup>17</sup>

Madaniy-tarixiy turizmni rivojlantirishda hududlarda mavjud bo'lgan tarixiy hamda arxeologik obyektlarning o'rni muhimdir. Ularning tarixiyligi, hudud tarixida tutgan o'rni hamda saqlanganlik darajasi unga qiziquvchi turistlarning sonini oshishiga yordam beradi. Bugungi kunda O'zbekistonda 2 mingdan ziyod

<sup>16</sup> O'zbekiston Respublikasining "Turizm, sport va madaniy meros sohasida davlat boshqaruvi tizimini yanada takomillashtirish chora tadbirlari to'g'risida" gi PF-6199- farmoni. 2021 yil 6-aprel. //www.lex.uz// Muallif ishlanmasi.

<sup>17</sup> "Iqtisodiyot va innovatsion texnologiyalar" ilmiy elektron jurnali. № 6, noyabr-dekabr, 2021 yil 6/2021 (№ 00056) <http://iqtisodiyot.tsue.uz> 428.





tarixiy yodgorliklar mavjudligi madaniy-tarixiy turizmni rivojlantirish salohiyati yuqori ekanligidan dalolat beradi<sup>18</sup>.

Ushbu fikrlardan kelib chiqib biz madaniy-tarixiy turizmni insoniy madaniyatning tarixiy, madaniy, san'at, arxitektura va g'oya asoslari asosida turlash va o'rganishga asoslangan turizm turi deb hisobladik. Madaniy-tarixiy turizmning mohiyati va o'ziga xos jihatlarini quyidagilarga bo'ldik:

- 1) **Tarixiy joylar:** Madaniy-tarixiy turizm tarixiy joylarni o'rganishga imkoniyat yaratadi. Bu joylar shaharlar, qal'alar, qadimiy obidalar, muzeylar va boshqa tarixiy ob'ektlardan iborat bo'ladi.
- 2) **Insoniy madaniyat:** Madaniy-tarixiy turizm insonlar uchun madaniy meros va g'oya asoslari bilan tanishishga imkon beradi. Bu yerlarda insonlar alohida madaniy muloqotlar, mazmunlar va g'oya asoslari bilan tanishishlari mumkin.
- 3) **Arxitektura va san'at:** Tarixiy shaharlar va joylar arxitektura, san'at va rasm ustuvorligi bilan bog'liq bo'lib, madaniy-tarixiy turizm bu sohalar bo'yicha o'rganish va tadqiqot imkoniyatini beradi.
- 4) **Turizm sifati:** Madaniy-tarixiy turizm ko'pgina holatlarda masshtabli turistlar tomonidan amalga oshiriladi. Bu turistlar tarixiy joylarni, muzeylarni va g'oya asoslari o'rganishni istaganlar uchun kelib chiqqan.
- 5) **Turizmning aksariyati:** Madaniy-tarixiy turizmning aksariyati joylashgan hududlarda eng ko'p amalga oshiriladi. Bu esa o'sha hududlarning madaniy, tarixiy va san'ati boyicha boyligi bilan bog'liqdir.

Yana shuni aytishimiz mumkinki, madaniy-tarixiy turizm insonlar uchun tarixiy va madaniy obyektlarni o'rganish, uning yodgorliklarini saqlash va insoniy madaniyatni muhofaza qilish imkoniyatini beradi. Bu turizm turi shuningdek, mamlakatlar o'rtasidagi diplomatik munosabatlarni kuchaytirish, insonlar orasidagi mazmunlarni o'stirish imkonini ham beradi. Sayyoramizning har bir burchagi tarixni o'z ichiga oladi. Madaniy turizmni tashkil etilishining tarixiy bosqichlari Qadimgi Misr davriga to'g'ri keladi. Fir'avnlr uzoq hududlarning madaniyati va hayoti bilan tanishish uchun boshqa mamlakatlarga sayohatlar uyushtirgan. Geografik kashfiyotlar turizmning bu turini eng ommabopiga aylantirdi. Bugungi kunda tarixiy turizmni rivojlantirish istiqbollari eski shaharlar, diqqatga sazovor joylar va madaniy

<sup>18</sup> O'zbekiston Respublikasi Davlat statistika qo'mitasi ma'lumotlar.

meros obyektlarini ko‘rishni xohlaydigan sayyohlar oqimining ko‘payishi hisoblanadi.

Sayohatchilarning fikriga ko‘ra, madaniy-turizm sohasi bo‘yicha yetakchi davlatlar quyidagilardir:

1. Fransiya – Yevropadagi madaniy turizm, birinchi navbatda, ushbu davlatga tashrif buyurish bilan bog‘liq;
2. AQSh – garchi bu mamlakatdagi tarixiy sayyohlik joylari ming yillik tarixi bilan maqtana olmasa ham, bu yerda juda ko‘plab qiziqarli joylar mavjud. Masalan, O‘lim vodiysi, Ozodlik haykali, Gollivuddagi Shon-sharaflar xiyoboni va boshqalar;
3. Xitoy – Sharq madaniyatining timsolidir va Xitoy ming yillar oldin ham rivojlangan davlat bo‘lganligi bilan ham jozibali;
4. Italiya – san‘at va tarix beshigi bo‘lib, bu yerda turizm nafaqat markazda, baki kichik tarixiy shaharlarda ham ajoyib;
5. Gretsiya – boy tarixga ega. Bu yerdahi har bir orolda o‘ziga xos xotiralar bor;
6. Ispaniya – ko‘plab me‘moriy yodgorliklari tufayli chinakam qiziqish uyg‘otadi;
7. Germaniya – ulkan binolari, rang-barang me‘morchiligi va zamonaviy muzeylari bilan o‘ziga jalb qiladi;
8. Turkiya – bu yerdagi diqqatga sazovor joylar o‘ziga xos lazzat bilan, mahalliy aholi esa sharqona mehmondo‘stligi bilan ajralib turadi;

Turizm bo‘yicha Gaaga deklaratsiyasida “bo‘sh vaqtda dam olish huquqi va haq to‘lanadigan ta‘til huquqi, hamda bu vaqtdan ta‘limiy va ko‘ngil ochish maqsadida foydalanish uchun sayohatga chiqish – ichki va xalqaro turizmning ne‘matlaridir” deb ko‘rsatilgan.<sup>19</sup> Iqtisodiy yondashuvda turizm o‘z ichiga madaniy-tarixiy, rekreatsion va boshqa tashkilotlarning kompleks xizmatlar va mahsulotlar ishlab chiqarish, maqsadli investitsiyalar kiritish faoliyatini qamrab oluvchi o‘ziga xos tarmoq sifatida belgilanadi.<sup>20</sup>

### **Xulosa.**

Har bir davlatning turizm rivojlanish tarixiga nazar soladigan bo‘lsak, albatta bu madaniy-tarixiy turizm bilan bog‘liq bo‘ladi. Har bir davlat o‘z yurtini butun

<sup>19</sup> Королёва Н.В. Имитационное моделирование направлений развития туризма в рекреационных зонах региона. Майкоп, 2007. 164 с.

<sup>20</sup> Raxmatlayev N. “O‘zbekistonda tarixiy-madaniy turizmni rivojlantirishning ijtimoiy-iqtisodiy jihatlarini” Journal of Innovations in scientific and educational research Volume-6, ISSUE-4.2023.





dunyoga tanitish uchun ham o'zining turizm sohasini yetarli ehtiyojlar bilan ta'minlaydi. Biz bu maqolani to'liq yoritib berish jarayonida madaniy-tarixiy turizmning qadimgi davrlardan to bugungi kungacha rivojlanib kelayotganiga amin bo'ldik. Madaniy-tarixiy turizm mamlakat iqtisodini rivojlantirish bilan bir qatorda quyidagilarni o'z ichiga oladi:

1. tarixiy voqealarni qayta tiklash;
2. madaniyat va tarixni umumlashtirish;
3. madaniy merosni saqlash;
4. odamlarning noma'lum dunyoning tarixiga qiziqishlarini orttirish.

Turistlarni jalb qilish uchun esa quyidagilarni ishlab chiqish kerak:

- a. madaniy-meros obyektlarini yaratish;
- b. rekonstruksiya qilish;
- c. diqqatga sazovor joylarni kompleks tarzda taqdim qilish;
- d. tarixiy yodgorliklarni dunyoga tanitish;

Bu bilan ham davlat iqtisodiga foyda keltirish ham hudud tarixini o'rganib yangi obyektlar ustida izlanishlar olib borish va turizm sohasida ko'plab yutuqlarga erishish mumkun.

#### **Foydalanilgan adabiyotlar ro'yhati**

1. O'zbekiston Respublikasi Prezidentining “Respublikaning turizm salohiyotini jadal rivojlantirish hamda mahalliy va xorijiy turistlar sonini yanada oshirishga doir qo'shimcha chora-tadbirlar to'g'risida” 26.04.2023 yildagi PQ-135-son Qarori.// [www.lex.uz](http://www.lex.uz)
2. O'zbekiston Respublikasining “Turizm, sport va madaniy meros sohalarida davlat boshqaruvi tizimini yanada takomillashtirish chora tadbirlari to'g'risida” gi PF-6199- farmoni. 2021 yil 6-aprel. // [www.lex.uz](http://www.lex.uz)
3. O'zbekiston Respublikasi Vazirlar Mahkamasining “O'zbekiston Respublikasi Madaniy meros agentligi to'g'risidagi nizomni tasdiqlash haqida” 21.08.2023-yildagi PQ-0636-son Qarori.// [www.lex.uz](http://www.lex.uz)
4. O'zbekiston Respublikasi Davlat statistika qo'mitasi ma'lumotlar.
5. “Iqtisodiyot va innovatsion texnologiyalar” ilmiy elektron jurnali. № 6, noyabr-dekabr, 2021 yil 6/2021 (№ 00056) <http://iqtisodiyot.tsue.uz> 428.
6. Международный туризм сократился в 2020 году до уровня 1990 год. <https://www.interfax.ru>



7. Колотова Е. В. Рекреационное ресурсоведение: Учеб. пособие. - М.: РМАТС. [1, с. 92-93]
8. Карпов Г.А., Хорева Л.В. Экономика и управление туристской деятельностью. СПб., 2011. 268 с. [2.с.135]
9. Королёва Н.В. Имитационное моделирование направлений развития туризма в рекреационных зонах региона. Майкоп, 2007. 164 с.
10. Сущинская М. Д. Культурный туризм: учебное пособие для СПО / М. Д. Сущинская. - 2-е изд., испр. и доп. - М.: Издательство Юрайт, 2018. - 157 с. [Электронный ресурс]: официальный сайт - Режим доступа: <http://on1ine.rU/book/615AAБ6A-E4A3-4B58-8BE3-7184CC772986>.
11. Jelincic DA. Splintering of tourism market: new appearing forms of cultural tourism as a consequence of changes in everyday lives. Collegium Antropologicum 2009, 33(1):259–266.
12. Northern Ireland Murals, Pictures of Belfast Murals [Internet]. Available from: <http://www.peacelinetours.co.uk/murals.html> [accessed February 7, 2016].
13. Mc Kercher B, du Cros H. Cultural tourism – The partnership between tourism and cultural heritage. New York: The Haworth Press; 2002. 250 p.
14. Meethan K. Tourism in global society: place, culture, consumption. New York: Palgrave; 2001. 226 p.
15. Raymond C. Our story [Internet]. 2009. Available from: [http://www.creativetourism.co.nz/aboutus\\_ourstory.html](http://www.creativetourism.co.nz/aboutus_ourstory.html) [accessed November 21, 2015].
16. Richards, G. (1996) Cultural Tourism in Europe. CABI, Wallingford. [1, с. 45]
17. Robinson M. The experiences of cultural tourism [Internet]. 2008. Available from: <http://mg.kpd.lt/users/www/uploaded/3%20Forum%20publ%20on%20cultural%20heritage%20and%20tourism.pdf> [accessed February 7, 2016].
18. Xamidov O.X., O'zbekistonda ekologik turizmni rivojlantirishni boshqarishni takomillashtirish: muammo va yechimlar // Monografiya. - T.: Iqtisodiyot, 2016. 203b.
19. Raxmatlayev N. “O'zbekistonda tarixiy-madaniy turizmni rivojlantirishning ijtimoiy-iqtisodiy jihatlari” Journal of Innovations in scientific and educational research Volume-6, ISSUE-4.2023.



## M1 TOIFALI AVTOMOBILLARNI TURLI MUHITLARDA TORMOZLANISHINI TAHLIL QILISH VA PARAMETRLARINI O‘RGANISH

**Abduqahorov No‘monbek Oybek o‘g‘li**

Termiz muhandislik - texnologiya instituti magistranti

[abduqahorovnomonbek@gmail.com](mailto:abduqahorovnomonbek@gmail.com)

**Turdialiyev Jonibek Xusinovich**

Denov 3-son kasb-hunar maktabi Ishlab Chiqarish ta’lim ustasi

[turdaialiyevjonibek713@gmail.com](mailto:turdaialiyevjonibek713@gmail.com)

**Mo‘minov Nurali Ro‘zibayevich**

Denov 3-son kasb-hunar maktabi Ishlab Chiqarish ta’lim ustasi

[nuralimominov377@gmail.com](mailto:nuralimominov377@gmail.com)

**Anotatsiya.** Ushbu maqolada tormozlash jarayonining eksperimental tadqiqotlar natijalari, xususan parametrlari, keltirilgan ya’ni barqaror holat sekinlashuv qiymatlari va uning ko‘tarilish vaqti avtomobilning haqiqiy yuklanganlik holati, blokirovkaga qarshi tormoz tizimi (ABS) mavjudligi (yo‘qligi), yo‘l qoplamasining turi va holati, shuningdek, transport vositasi va yo‘l yuzasi o‘rtasidagi bog‘lovchi element shinalarning holati shuningdek mavsumiylikni meteorologik sharoitga qarab tavsiflanishi. O‘rganilayotgan qiymatni aniqlovchi matematik modellar taqdim etilgan va ularning amaliy ahamiyati tasvirlangan. Yo‘lni Yo‘lni xususiyatlarini o‘rganish metodologiyasini aniqlashtirishning amaliyligi asosiy hisoblash usullariga tuzatish koeffitsientlarini kiritish orqali yo‘l-transport hodisalari yo‘l-transport jarayonida topilmalarning ishonchliligi va ob’ektivligini oshirishga qaratilgan ko‘rsatmalar berilgan.

**Kalit so‘zlar.** Tormozlash, transport, shinalarning holati, vaqtning ortishi, kuz-qish, bahor-yoz, Tadqiqot, hisoblash.

**Kirish.** Yo‘l xarakati xavfsizligini taminlash avtomobil transporti faoliyatining eng muxim muammolaridan biridir. Har yili O‘zbekiston Respublikasi yo‘llarida minglab odamlar xalok bo‘ladi, bir necha minglab odamlar jarohatlanadi va davlat ko‘plab iqtisodiy zarar ko‘radi. Ichki ishlar vazirligi ma’lumotlariga ko‘ra

, 2021-yil davomida O‘zbekistonda 10 001 ta yo‘l-transport hodisasi rasman qayd etilgan bo‘lib, ularda 2 426 kishi jabrlangan, 9 230 kishi turli darajadagi tan jarohatlari olgan. 2022-yilda yo‘l-patrul xizmati xodimlarining statistik malumotlariga ko‘ra 9902 ta yo‘l transport hodisasi sodir bo‘lgan ularda 2086 kishi halok bo‘lgan va 2356 kishi jarohatlangan.[19,20,21] 2023-yilning dastlabki 7 oyida O‘zbekiston hududida 4772 ta yo‘l-transport hodisasi qayd etilgan. Bu haqda Oliy Majlis Senatining Mudofaa va xavfsizlik masalalari qo‘mitasi raisi Qutbiddin Burhonovning “Xalq so‘zi” gazetasining 5-sentabrda chop etilgan maqolasida aytib o‘tilgan[23]. Shu jumladan Surxandaryo viloyatida mingdan ortiq Yo‘l transport xodisalari yuz bergan ko‘plab insonlarning jaroxat olishiga va halok bo‘lishiga sabab bo‘lgan. Yo‘l harakati xavfsizligini ta‘minlash bo‘yicha shunday chora-tadbirlardan biri (YTH) yo‘l harakati hodisalar (YTH) sabablarini o‘rganishdir. Mutaxassislar bu masala bilan avtotexnik ekspertiza davomida shug‘ullanishadi. Xususan, O‘zbekiston hududida avtohalokat oldingi va avtohalokat davomida haydovchining texnik qobiliyatiga ega yoki yo‘qligi haqidagi savollarni tekshirish va javob berish baxtsiz hodisalarning oldini olish va uning xatti-harakatlari yo‘l harakati qoidalariga talablariga javob beradimi yoki yo‘qligini aniqlash imkonini beradi [22].

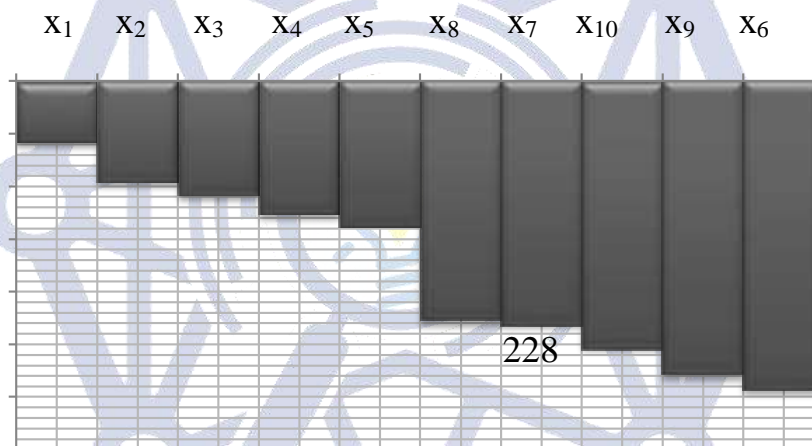
**Tadqiqot metodologiyasi.** M1 toifali avtomobil tormozlash jarayonining parametrlarini hisobga olgan holda hisoblash usullari Hozirgi kunda mavjud ekspert amaliyotida bir qator muhim kamchiliklar mavjud ayniqsa, avtomobilning barqaror sekinlashishi va favqulodda tormozlanish vaqtida uning vaqtini ko‘payib ketishi. Hozirgi vaqtda mutaxassislar baxtsiz hodisalarni tekshirish uchun qiymatlarni tanlashning bir nechta variantlariga ega.

\* Baxtsiz hodisa sodir bo‘lgan sharoitlarga teng bo‘lgan jarayonda sertifikatlangan asbob va o‘lchash moslamalari yordamida to‘liq ko‘lamli tajriba o‘tqazish.

O‘zbekistonda hozirgi vaqtda ekspert amaliyotida qo‘llanilayotgan transport vositasining barqaror sekinlashuvining me'yoriy (o‘rtacha) qiymatlarini va uning ko‘tarilish vaqtini qo‘llash masalasi avtotransport parkining sifat va miqdoriy o‘zgarishi bilan bog‘liq holda juda dolzarbdir. Eksperimental tadqiqotning maqsadi barqaror sekinlashuvning omillari va o‘lchangan qiymatlari va uning ko‘tarilish vaqti o‘rtasidagi bog‘liqlikni aniqlash, shuningdek, yo‘l-transport hodisalarini tekshirish paytida qiymatlarni taxlil qilish uchun matematik modellarni olish [17].



Adabiy manbalar tahlili asosida barqaror holatdagi sekinlashuv qiymatlarining shakllanishiga ta'sir etuvchi, avval o'rganilmagan eng muhim omillar va uning ko'tarilish vaqti aniqlandi. [2, 3, 11] va zamonaviy izlanishlardagi ishlar [1, 4, 7, 13, 12, 18]. Aprior tartiblash usulidan foydalangan holda mualliflar ushbu qiymatlarga eng muhim omillarning ta'sirini aniqladilar, masalan: avtomobildagi haqiqiy yuklanganlik, blokirovkaga qarshi tormoz tizimi mavjudligi (yo'qligi), yo'l qoplamasi turi, holati va meteorologik sharoitga qarab shinalarning mavsumiyligi. Ushbu tadqiqotda ushbu bilim sohasidagi vakolatli mutaxassislar ishtirok etdilar va 95% ishonch bilan ta'kidlash mumkinki, ularning o'rganilayotgan omillarning ta'sir darajasi bo'yicha fikrlari (1-rasm)  $W = 0,71$  muvofiqlik koeffitsientiga mos keladi.



### 1.1-rasm. Barqaror sekinlashuv qiymatiga ta'sir etuvchi omillarning daraja grafigi

— Rejalashtirilgan tajribani ishlab chiqish, dastlabki ma'lumotlarni qayta ishlash va bu ishda olingan natijalarni tahlil qilish StatGraphics statistik paketi yordamida amalga oshirildi [5,17]. Eksperimental tadqiqotlar kunduzi Termiz shahar hududida o'tkazildi. Yo'l uchastkasi tekis asfalt-beton qoplamaga ega. Tajribalarda O'zbekistonda ishonchli faol tormoz tizimiga ega M1 toifali eng ishonchli avtomobillar, masalan, cobalt, tracer, lacetti, nexia3, spark kabi avtomobillar ishtirok etdi.

Qiymatlarni aniqlash uchun barqaror sekinlashuv va uning ko'tarilish vaqti bo'yicha “Effekt-02” mahkamlash moslamalari shaklidagi o'zgarishlarni hisobga



olgan holda “Passajiravtotrans” SPb DUK tomonidan taqdim etilgan “Meta” ilmiy-ishlab chiqarish korxonasining attestatsiyadan o‘tgan o‘lchov vositasidan foydalanilgan. [6, 15, 16]. Tajriba ikki bosqichdan iborat edi - har xil harorat rejimi va sharoitlari bilan "bahor-yoz" va "kuz-qish" davri. Regressiya modellari tavsifining adekvatligini ta'minlash maqsadida tajriba yo‘l va meteorologik sharoit va yil fasliga qarab 2 ta namunaga bo‘lingan, ya'ni "bahor-yoz" va "kuz-qish". Har bir namunada 24 turdagi - "kuz-qish" va 25 - "bahor-yoz" to‘liq faktorli eksperiment (TFE) barqaror holat sekinlashuvining kirish parametrlari uchun ysd va uning ko‘tarilish vaqti uchun o‘tkazildi. Tajribani matematik qayta ishlash natijalariga ko‘ra, barqaror holatdagi sekinlashuv qiymatlarining matematik modellari va uning ko‘tarilish vaqti aniqlandi, buning natijasida M1 toifali aniq transport vositasi uchun ushbu qiymatlarni hisoblash mumkin bo‘ldi, 1-jadvalda keltirilgan.

1-jadval. Avtotransportning barqaror sekinlashuvi parametrlari va uning "kuz-qish" va "bahor-yoz" davrida ortish vaqti uchun matematik modellar.

o‘lchash koeffitsienti, R <sup>2</sup>	regreitsiya tenglamasi $y=f(x)$	Aniqlash
91.2%	$Y_{sd(a-w)}=3.37048+0.885714x_1+0.40653x_2+$ $+0.758857x_3+0.1985x_1x_3-0.14033x_1x_4-$ $0.74975(x_2)^2-0.95175x_1(x_2)^2$	"kuz-qish" davrida M toifasining barqaror
99.7%	$y_{tr(a-w)}=0.156262+0.-487381x_1+0.02625x_2+$ $0.0112619x_3-0.00288889x_4+0.01125x_1x_2+$ $0.002x_1x_3-0.02275(x_2)^2+0.00875x_2x_3-$ $0.02975x_1(x_2)^2-0.0015x_1x_2x_3$	



$$Y_{sd(sp-s)} = 5.60057 + 0.666579x_2 + 0.208489x_3 - 0.320513x_1x_2 + 0.0695625x_1x_4 + 0.0536875x_1x_5 + 0.477422(x_2)^2 - 0.112763x_2x_3 + 0.106088x_2x_5 +$$

93.2%

$$0.0601875x_3x_4 - 0.102232(x_4)^2 - 0.195328x_1(x_2)^2 + 0.0672657x_1x_2x_4 + 0.225684x_1x_2x_5 - 0.268542(x_4)^3$$

"bahor-yoz" davrida

M

toifasining barqaror

sekinlashuvi  $y_{sd}$  va

uning ko'tarilish vaqti  $y_{tr}$

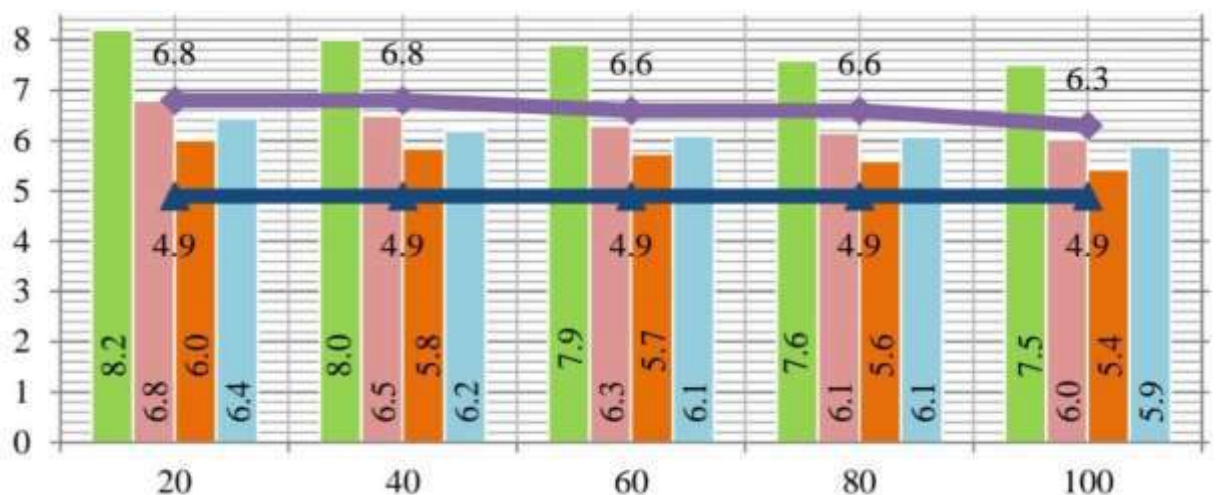
$$Y_{sd(sp-s)} = 0.274783 + 0.0262522x_1 + 0.0169398x_2 + 0.003388616x_3 - 0.0046875x_4 + 0.0024442x_5 - 0.0106125x_1x_2 - 0.0038125x_1x_3 + 0.001375x_1x_4 + 0.0144844(x_2)^2 - 0.0031125x_2x_3 - 0.001875x_3x_4 - 0.00660937x_1(x_2)^2 - 0.00615937x_1x_2x_3 - 0.007125x_1x_2x_4 + 0.00139688x_1x_2x_5 + 0.00125x_1x_3x_4 - 0.00514687x_2x_3x_4$$

97.7%

**TAHLIL VA NATIJALAR MUHOKAMASI** Sinov tadqiqot sifati natijasida ushbu modellarning amaliy ahamiyati ularning barqaror sekinlashuvini va o'lchov asbobi yordamida uning ortish vaqtini o'lchash mumkin bo'lmaganda foydalanishdadir. Eksperimental ma'lumotlar asosida o'rganilayotgan qiymatlarga omillarning ta'siri tahlil qilindi va tajriba va tavsiya etilgan qiymatlar o'rtasidagi qiyosiy tahlil o'tkazildi. Qiyosiy tahlil namunasi 2, 3, 4-rasmlarda keltirilgan.

m/s<sup>2</sup>

Research Science and  
Innovation House



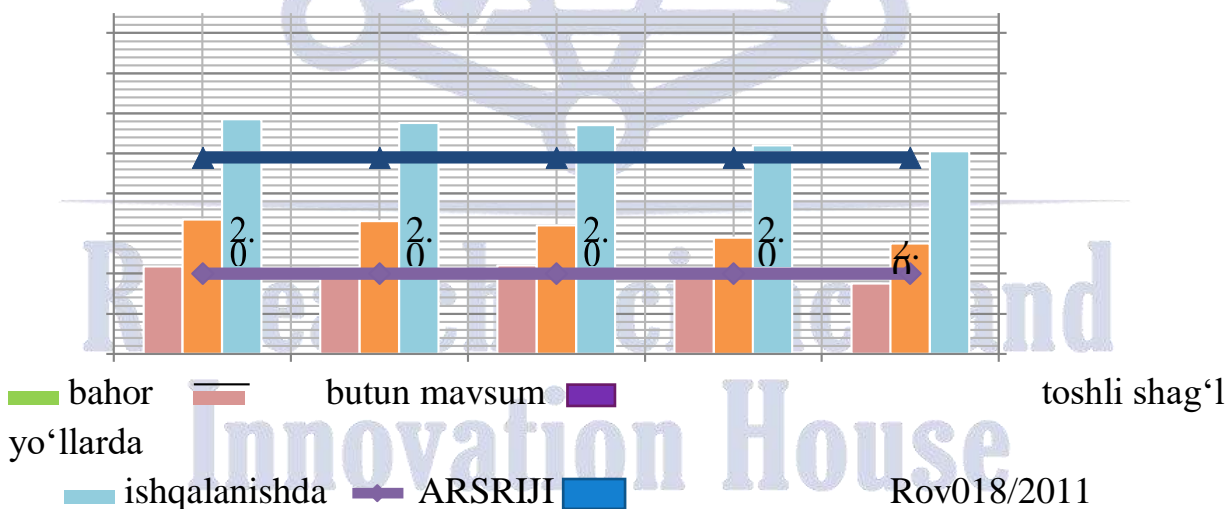
**Avtomobilning haqiqiy yuklanganligi %**

bahor butun mavsum toshli shag'1  
 ishqalanishda ARSRIJI

Rov018/2011

**1.2-rasm  $\varphi \approx 0,75$  da barqaror sekinlashuvning eksperimental va normativ (o'rtacha) qiymatlari va ABS tizimining mavjudligi qiyosiy tahlili.**

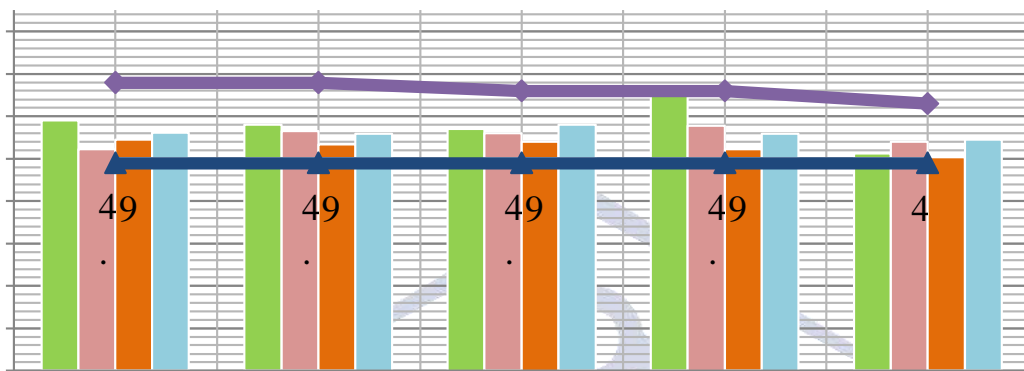
Bu yerda va keyin RoV transport vositalarini tartibga solish, ARSRUJI O'zbekistonda sud tergovi ilmiy tadqiqot institutini anglatadi.



**1.3-rasm  $\varphi \approx 0,25$  da barqaror sekinlashuvning eksperimental va normativ (o'rtacha) qiymatlarini va ABS tizimining mavjudligini qiyosiy tahlili.**







**1.4-rasm.  $\varphi \approx 0,75$  da barqaror sekinlashuvning eksperimental va normativ (o‘rtacha) qiymatlarining qiyosiy tahlili va ABS tizimi va 250 kg da haqiqiy yuklanish mavjudligi**

Tahlillarga ko‘ra, qiymatlardagi farq o‘rtacha 36% dan ko‘proq ekanligini ko‘rish mumkin, shuning uchun ekspertlarning xulosalaridagi farq, masalan avtohalokat paytida transport vositasining tezligi bir xil diapazonda farq qilishi mumkin bu esa o‘rganilayotgan masalaning ishonchliligi yo‘qligiga va avtomobil texnik ekspertizasini ishlab chiqarishda avariyaning haqiqiy sababini aniqlashga olib keladi.

Shunday qilib, eksperimental natijalarni tahlil qilish jarayonida mualliflar asosiy hisoblangan bog‘liqliklarning o‘rganilgan omillarini hisobga olgan holda, barqaror holatdagi sekinlashuv qiymatini va uning ko‘tarilish vaqtini to‘g‘rilash uchun  $K_{jsd}$  va  $K_{tr}$  koeffitsientlarini joriy etishning amaliyligini asosladi YTHni tekshirishda avtomobil mutaxassislar tomonidan qo‘llaniladi

M1 toifali avtomobillar uchun  $K_{jsd}$  barqaror sekinlashuvining o‘rtacha tuzatish omillari va uning ko‘tarilish vaqti  $K_{tr}$  misollari 2 va 3-jadvallarda keltirilgan.

2-jadval. 20% yukda M1 toifali avtomobilning barqaror holatdagi sekinlashuvini to‘g‘irlovchi  $K_{jsd}$  koeffitsienti yo‘l qoplamasining turi xolati/ishqalanish koeffitsienti  $\varphi$



## 2-jadval

ABS li holatda

Mavsumiy balon turi	Quruq asfalt/0.75	Ho‘l asfalt /0.45	Qor bilan qoplangan asfalt/0.25	Quz bilan qoplangan asfalt/0.15
Yozda	1.2	1.7	-	-
Hamma mavsum	1.0	1.4	0.8	2.1
Ishqalanishda	0.9	1.2	2.0	2.7
Tosh shag‘al yo‘lda	0.9	1.2	1.2	2.7

## 3- jadval

ABS siz holatda

Mavsumiy balon turi	Quruq asfalt/0.75	Ho‘l asfalt /0.45	Qor bilan qoplangan asfalt/0.25	Muz bilan qoplangan asfalt/0.15
Yozda	1.2	1.7	-	-
Hamma mavsum	0.9	1.3	0.7	2.0
Ishqalanishda	0.9	1.2	1.1	2.1
Tosh shag‘al yo‘lda	0.9	1.2	1.0	2.2

**XULOSA VA TAKLIFLAR** Tadqiqot jarayonida qiyosiy tahlil yordamida me‘yoriy (o‘rtacha) va eksperimental qiymatlar, qiymatlarning shakllanishiga ta’sir etuvchi omillarning kompleks ta’siri, avtomobilning barqaror holati hamda uning ko‘tarilish vaqti asoslanadi. M1 kategoriyali avtomobil yordamida to‘liq miqyosda eksperiment o‘tkazishda ko‘zda tutilgan qiymatlarni aniqlash imkonini beradi. Stabil holatdagi sekinlashuvning tuzatuvchi omillari va vaqti uning ko‘tarilishi aniqlandi, ular yordamida hisoblash usullarini aniqlashtirish taklif qilindi haydovchining texnik imkoniyatlarini o‘rganishda baxtsiz hodisalarni oldini olish va baxtsiz





hodisalar takrorlamalik uchun O‘zbekiston Respublikasining yo‘l harakati qoidalariga rioya qilishni o‘rnatish. Avtotexnik ekspertiza bo‘yicha ekspert xulosasining ishonchliligi, avariylarni oydinlashtirish uchun hisoblash usullarini aniqlashtirishga imkon beruvchi eksperimental tadqiqot mutaxassislariga yo‘l harakati holatining haqiqiy sabablarini aniqlash, shuningdek, vaziyatni yaxshilash imkonini beradi degan xulosaga kelinadi.

#### FOYDALANILGAN ADABIYOTLAR:

1. Brylev IS 2015 Reconstruction of accidents on the parameters of the braking process of twowheeled motor vehicles: cand. thesis (St. Petersburg)
2. Grigoryan V G 1995 The use of vehicle braking parameters in expert practice: method. recommendations for experts (Moscow: VNIISE)
3. Evtyukov S A, Puchkin VA 2017 Judicial autotechnical examination of road accidents (St Petersburg: Petropolis Publishing House)
4. Kurakina EV 2014 Scientific and methodological support autotechnical expertise, taking into account the technical condition of the vehicle and the road environment: cand. thesis (St. Petersburg)
5. Official website of StatGraphics centurion 182019 Retrieved from: <http://www.statgraphics.com>
6. Official website of the research and production company Meta2019 Retrieved mode: <http://www.meta-moscow.ru/>
7. Podoprigora NV Method of determining the parameters of the process of braking vehicles in the reconstruction and examination of road accidents: cand. thesis (St. Petersburg)
8. Indicators of the state of road safety2019 Retrieved from: <http://www.gibdd.ru/stat>
9. Stepina PA 2010 Development of methods for improving the autotechnical examination of road accidents: cand. thesis (St. Petersburg)
10. Road safety strategy in the Russian Federation for 2018-2024 Retrieved from: <http://government.ru/>
11. Sheraliyevich P. B., Chori o‘g‘li X. A. HAYDOVCHILAR, YO ‘LOVCHILAR VA PIYODALARNING YO ‘LLARDA YURISH MA ‘DANIYATI //Proceedings of Scientific Conference on Multidisciplinary Studies. – 2024. – T. 3. – №. 2. – C. 30-34.



12. Tadeev V2011 Calculation of the movement of the tricycle during the autotechnical examination of road accidents: cand. thesis (Vladikavkaz)
13. Faxriddin B., No‘monbek A. ABS SISTEMASI BILAN JIHOZLANGAN M1 TOIFALI AVTOMOBILLARNING TORMOZ SAMARADORLIGINI MATEMATIK NAZARIY TAHLILI //International journal of scientific researchers (IJSR) INDEXING. – 2024. – T. 4. – №. 1. – C. 333-337.
14. Abduraximovich Q. S., Urazovich C. B., Djurayevna S. N. TERMIZ SHAHRIDA MAVJUD BO ‘LGAN AVTOBUS BEKATLARINING TAHLILI //International journal of scientific researchers (IJSR) INDEXING. – 2024. – T. 4. – №. 2. – C. 13-18.
15. Chori o‘g‘li X. A., Eshpulatovich I. H. AI-80 BENZINNING AVTOMOBILLARGA SALBIY TA‘SIRLARINI TAHLIL QILISH //Proceedings of Scientific Conference on Multidisciplinary Studies. – 2024. – T. 3. – №. 3. – C. 17-21.
16. Dobromirov V, Dotsenko S, Verstov V, Volkov S. 2017 Methods of Examination20143-150
17. Sheraliyevich P. B., Urazovich C. B. Shahar Aholisini Jamoat Transportida Tashishda Harakat Muntazamligini Oshirish Yo ‘Llari (Termiz Shahar 15-Yo ‘Nalishli Avtobus Misolida) //Open Academia: Journal of Scholarly Research. – 2024. – T. 2. – №. 2. – C. 35-38.
18. <https://www.norma.uz>
19. <https://www.daryo.uz>
20. <https://www.kun.uz>
21. <https://www.lex.uz>
22. Xalq so‘zi” gazetasi
23. Faxriddin B., No‘monbek A. ABS SISTEMASI BILAN JIHOZLANGAN M1 TOIFALI AVTOMOBILLARNING TORMOZ SAMARADORLIGINI MATEMATIK NAZARIY TAHLILI //International journal of scientific researchers (IJSR) INDEXING. – 2024. – T. 4. – №. 1. – C. 333-337.
24. Abduraximovich Q. S., Urazovich C. B., Djurayevna S. N. TERMIZ SHAHRIDA MAVJUD BO ‘LGAN AVTOBUS BEKATLARINING TAHLILI //International journal of scientific researchers (IJSR) INDEXING. – 2024. – T. 4. – №. 2. – C. 13-18.



## STUDY OF SPACING OF PILE DRUMS WITH SUPPLY ROLLS

**H. E. Turdiyev**

Lecturer, Fergana Polytechnic Institute, Fergana, Uzbekistan

**G.Xolmatova**

Student, Fergana Polytechnic Institute, Fergana, Uzbekistan

**M.Qo'ldosheva**

Student, Fergana Polytechnic Institute, Fergana, Uzbekistan

**Annotation.** The article defines the influence of the distance between the feeding rollers and the caustic plank drum on the cleaning effect of machines. As a result of experimental studies, it was achieved on increasing the cleaning effect of machines on the 1-grade 5.0–6.0%, and in the 3-grade 7.0–8.0%.

**Keywords:** Cotton, handkerchief, minesweeper, cooker, arachinick, nav, class, car, selection, cigar.

### Introduction

80-85% of raw cotton grown in our country is high-grade. In the high grades of cotton, there are mainly small impurities, which are in different (active and passive) connection with the fiber. A certain amount of impurities are activated during the period of picking cotton, transporting it from the field to cotton processing centers and cotton gins, ginning and transferring it to the production departments. The strength of binding of active and passive impurities to the fiber is determined by the moisture content of the raw material, the twist and stiffness of the fiber. The cleaning process takes place optimally when the humidity of the fiber is 5-6 percent. The twistiness of the fiber depends on the moisture content of the raw material and the type of selection. It is desirable to separate the structural composition of cotton into small single-seeded cotton pieces during the preparation of the raw material for the cleaning process. At the minimum indicator of the structural composition, the cotton fiber is spread, and favorable conditions are created for the separation of impurities in it.

Feedback

Side panels

History



Saved

Contributions Due to the fact that the interlinking of the cotton pieces is different, in the process of cleaning from large impurities, the cotton pieces attached to the saw drum with the help of a fixed brush hit several colossal grids, and the bond between the pieces connection decreases, and after a certain period of time, the interconnection disappears. As a result, raw materials are added to the impurities. This, in turn, leads to the installation of additional equipment and an increase in costs for the return of cotton, which is included in the composition of impurities. In order to eliminate the above shortcomings, it is proposed to ensure the minimum structural content in the processes of cleaning from small and large impurities [1; p. 63].

### **The main part**

In several research studies, it was concluded that the smallest size of the cotton piece and the separation of the dirty compounds in the cotton in their cut state increases during the cleaning process. That is to say, the higher the level of cotton used in the process, the faster the separation of impurities in the cotton. The composition of the cotton structure is one of the efficiency criteria of the cleaning process.

The diameter has the greatest value when the fibers of a piece of single-seeded cotton are parallel to each other and perpendicular to the surface of the seed. Alignment and parallelization of fiber increases the surface area of single-seeded cotton and increases the efficiency of drying and cleaning processes [2; p. 62].

A cotton boll consists of 7 to 9 single-seeded cotton bolls. One flap at the end of a piece of cotton has connections to 2 adjacent flaps, and the others have 3, 4, and 5 connections.

As a result of cutting cotton pieces in technological processes, they become single-seeded cotton pieces. In the process of separating the pieces, single-seeded cotton fibers spread and increase in size. So, the size of a piece of single-seeded cotton depends on the number of separations of the bond between the pieces of cotton.

As the number of separations increases, the value of a piece of single seed cotton increases from 20 mm to 40 mm. When the equivalent diameter of a piece of single-seeded cotton has the largest value, the pressure of the fibers on impurities is at a minimum level. As a result, the open surface of the fiber is maximum, which accelerates the cleaning process.





Due to the fact that the interlinking of single-seeded cotton pieces is not strong during the cleaning process, the cotton pieces are added to the impurities. Under the effect of the softening brush and colosnik grid, the interlinking of single-seeded cotton pieces decreases, and when its value reaches the maximum level, it causes the interlinking of cotton pieces to break [3].

Experiments were conducted in order to study the effect of the distance between the supply rollers and pile drums on the continuous supply of cotton at the same rate, on the change in the value of the cotton structure, and on the efficiency of cleaning, while maintaining the natural quality indicators of cotton.

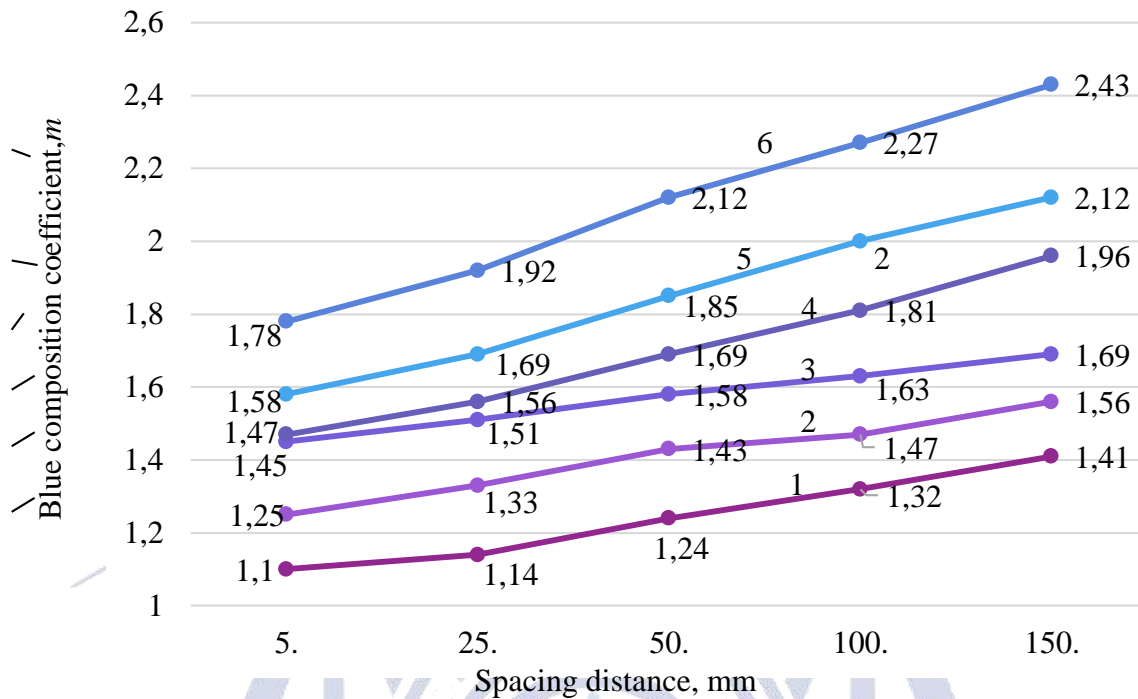
Experiments were conducted at a small cotton ginning enterprise under the department "Technology of preliminary processing of natural fibers". Experiments on S-6524 selection grade I and III industrial grade cotton with 6.0% and 9.0% moisture content and 4.6% and 21.0% dirt content, respectively, with equipment productivity of 5, 7, and 9 tons/hour, in order to avoid errors, the experiments were carried out in three repetitions.

Figure 1 shows the change in the distance between the supply rollers and pile drums and the change in the structural content coefficient of cotton.

It can be seen from the graph (curve 1) that in the proposed technological process, the productivity of the equipment is 5 tons/hour, and when the distance between the rollers and pile drums is 5 mm, the structural content coefficient of cotton is 1.1 lsa, when the distance is 25 mm, the coefficient of structural content of cotton is up to 1.14, and when the distance is 50, 100 and 150 mm, the coefficient of structural content of cotton is 1.24; 1.32; and is 1.41.

---

# Research Science and Innovation House



1-2-3 - proposed technological process, in turn 5; 7; 9 - t/s.

4-5-6 – Existing technological process, in turn 5; 7; 9 - t/s.

Figure 1. The effect of the change in the distance between the supply rollers and pile drums on the change in the structural content coefficient of cotton (type 1).

When the productivity of the equipment is 7 tons/hour (curve 2), the coefficient of the structural composition of cotton increases from 1.25 to 1.56, and when the productivity of the equipment is 9 tons/hour, the coefficient of the structural composition of cotton increases from 1.45 to 1.69 is shown to decrease up to The influence of the change in the distance between the supply rollers and pile drums on the change in the coefficient of the structural composition of the cotton. the coefficient is 1.47, and the coefficient of the structural composition of cotton is 1.56 when the distances are 25, 50, 100 and 150 mm; 1.69; It is 1.81 and 1.96.

Productivity of the equipment is 5 t/h, intermediate distances are 5; 25; 50; When it is 100 and 150 mm (curve 5), the coefficient of structural composition of cotton is 1.58; 1.69; 1.85; 2 and 2.12, when the productivity of the equipment is 9 tons/hour (curve 6), the coefficient of the structural composition of cotton is 1.78; 1.92; 2.12; It is 2.27 and 2.43. So, it can be seen from the obtained results that in the proposed technological process, the productivity of the equipment is 5 tons/hour and





the distance between them is 5 mm. .47, which in turn indicates that the coefficient of the structural composition of cotton in the proposed technological process is low and the cleaning efficiency of the equipment is high.

**Summary.** As can be seen from the results of the experiment presented above, the distance between the supply rollers and pile drums increases the coefficient of structural composition and cleaning efficiency of the cotton conveyed to the equipment by 5.0-6.0% in 1st grades and 7.0-8.0% in 3rd grades. was found to have a significant effect.

The closer the distance is, the more efficient the cleaning is. However, it was found that when the distance is from 5 mm to 25 mm, the cotton pieces are returned to the miner-collector with the rollers providing them. A distance greater than 50 mm led to a sharp decrease in the cleaning efficiency of the equipment. Therefore, it is recommended that the optimal distance between the supply rollers and pile drums is 50 mm.

#### REFERENCES .

1. A. Salimov, M. Akhmatov "Preliminary processing of cotton".Study guide. Tashkent "Knowledge" 2005
2. Babadjanov MA "Technological process design" textbook, Tashkent, Cholpon-2009.
3. J. Jabborov "Technology of seed cotton processing". "Teacher" Tashkent-1987.
4. H.E.Turdiyev "Improving the performance of dust collectors VZP-1200 and adding new innovative technologies" Uzbekistan - 2023, pp. 154-160.

---

# Research Science and Innovation House

## FORMATION OF COMMUNICATION CULTURE BASED ON DIALOGUES IN AN ENGLISH LESSON IN A HIGHER EDUCATIONAL INSTITUTION

**Almira Shamsunovna Nigmatullina**

Senior Teacher, Fergana Polytechnic Institute, Fergana, Uzbekistan

E-mail: [almira.nigmatullina@ferpi.uz](mailto:almira.nigmatullina@ferpi.uz)

**Guzal Djaxonobodxanovna Xodjayeva**

Senior Teacher, Fergana Polytechnic Institute, Fergana, Uzbekistan

E-mail: [guzalhodzaeva26@gmail.com](mailto:guzalhodzaeva26@gmail.com)

**Annotation:** This paper examines various non-traditional forms teaching a foreign language, which contribute to increasing internal motivation. In our opinion, non-traditional forms of foreign language teaching languages have a number of advantages according to certain criteria in comparison with traditional.

**Keywords:** interethnic communication, tertiary education institutions, self-education, permanent group, training curriculum, lack of motivation

**Аннотация:** В данной статье рассматриваются различные нетрадиционные формы обучения иностранному языку, способствующие повышению внутренней мотивации. На наш взгляд, нетрадиционные формы обучения иностранным языкам имеют ряд преимуществ по определенным критериям по сравнению с традиционными.

**Ключевые слова:** межнациональное общение, вузы, самообразование, постоянная группа, учебная программа, отсутствие мотивации.

**Annotatsiya:** Ushbu maqolada chet tilini o'rgatishning turli noan'anaviy shakllari ko'rib chiqiladi, bu esa ichki motivatsiyani oshirishga yordam beradi. Bizning fikrimizcha, chet tillarini o'qitishning noan'anaviy shakllari an'anaviy tillarga nisbatan ma'lum mezonlarga ko'ra bir qator afzalliklarga ega.

**Kalit so'zlar:** millatlararo muloqot, oliy o'quv yurtlari, o'z-o'zini tarbiyalash, doimiy guruh, o'quv dasturi, motivatsiya etishmasligi

In the current globalization period, where interpersonal communication—including interethnic communication—is becoming increasingly important, knowing a foreign language is no longer considered a luxury but rather a necessity



for society to successfully progress. Furthermore, learning a foreign language is important for raising educational standards and shaping an individual's character (because it allows one to have direct access to the cultural history of another nation). It is not unexpected that interest in foreign language education has significantly increased recently in our nation; an increasing number of courses are opening with the primary goals of raising students' English language proficiency and fostering communicative competence. Graduates from secondary and tertiary education institutions are required to meet a minimum proficiency level in a foreign language. Why is this not taking place? There are many possible causes for this situation, but in the context of contemporary standards, we believe that the primary factor is a lack of motivation, which can be strengthened through non-traditional forms of training, when the student's potential for self-education is highlighted (when the teacher serves as a "conductor," showing the student the direction and path that they must master on their own with the teacher's assistance).

The lesson is the primary organizing structure used in modern schools for instruction. A lesson is a way to arrange instruction for a permanent group of students of the same age; classes follow a set timetable and follow the same training curriculum. It is well known that a lesson has the following characteristics that set it apart from other types of education: - it is a finished, time-limited portion of the educational process in which specific educational tasks are solved; - each lesson is scheduled and has a set amount of time allotted for it as well as educational content. Unlike other forms of educational organization, it is a permanent form that guarantees students' systematic acquisition of knowledge, skills, and abilities; - all students must attend classes in order to study a system of knowledge that is divided into lessons according to a certain logic; - it is a flexible form of educational organization that allows you to organize frontal, group, and individual educational activities for students; - cooperative activities between the teacher and students provide opportunities for teamwork among the children; helps students' mental development and the development of their cognitive traits (activity, independence, curiosity). Depending on the qualities used as a foundation, didactics offers a variety of lesson formats. They categorize instruction into many categories based on how it is delivered, such as lectures, talks, debates, independent work of UCHN new, etc. In accordance with the phases of educational activity, which include: introductory lessons, lessons for first familiarization with the subject matter, lessons for concept

formation, lessons for deriving laws and regulations, lessons for applying knowledge in real-world situations, lessons for material repetition and generalization, control lessons, and combined lessons.

A foreign language course has several characteristics. A foreign language lesson is unique in that it is a link in a series of lessons rather than a stand-alone educational unit. The dynamics of the educational process are fulfilled in this cycle of lessons: the objective of the previous lesson serves as the basis for the next, establishing the intimate relationships between the lessons and guaranteeing progress toward the ultimate learning objectives. Let's look at the methodological substance of a foreign language lesson nine, or the fundamental rules that establish its characteristics, organization, reasoning, and working methods. Individualization, speech orientation, situationality, functionality, and novelty are hence the cornerstones of a foreign language education. Individual characteristics of students include motivation, interest, learning style, general development, degree of confidence in their abilities, ability and self-discipline, cultural characteristics, level of training, potential abilities and learning, language ability, intellectual abilities, learning experience, student's attitude toward the subject, psychological mechanisms of speech activity, and performance. These elements form the foundation of individualization. A few options for assignments might help you make sure the lesson is tailored to each student. It is important to design exercises so that students can work on subjects that interest them. The combination and application of different forms of individualization—individual, pair, group, and collective forms of work—helps to lessen the gap between the so-called strong, average, and weak students, according to author A.A. Kostenko in the magazine article "Individualization of the process of teaching English to primary schoolchildren". As a result, individualization aids in both kid motivation and level-diversity communication among pupils. Now let's shift the focus of a foreign language instruction to speech. A valuable lesson is imparted through language, according to E.I. Solovova, however this lesson is not about language. The lesson's practical orientation is speech orientation. It is well established that studying the principles of reading and vocabulary acquisition alone will not help one learn to read or talk. Neither will understanding the rules of grammar. Practical speech activities should take up practically the whole lesson time, according to the teacher. Ten distinct practical problems that advance the student toward his objective should be solved at each



lesson. The speech (communicative) value of phrases is also a prerequisite for a foreign language lesson's speech orientation. Phrases that are never used in everyday conversation should not be included in foreign language instruction.

The setting, the time, the personalities and roles of the parties involved in the communication, as well as the speech task they wish to accomplish during the conversation, all influence every given scenario. The association of phrases with the relationships in which the interlocutors find themselves is known as situationalism. One prerequisite for learning to speak is a situation. The circumstances encourage speech. In actuality, the environment is not the things around the interlocutors; rather, it is a system of relationships between them. The interlocutors' relationship is what drives them to make specific speech acts, such as arguing or proving, making requests or grieving. Additionally, since there is a lot of context behind speech, communication is made easier the larger and deeper these links are. The essence of situationality demonstrates that its application is inconceivable without personal individualization, as it is only through a thorough understanding of potential interlocutors—their background, interests, feelings, and status within the class team—that situations can be created in the classroom as a system of relationships. Thus, the following guidelines are determined by situationality as a part of a lesson's methodological content: Every sentence said in class should be situational, meaning it should connect to the relationships between the interlocutors; only then can a communication situation be produced in a lesson based on the relationships between the interlocutors (students and teacher); Situationality is a prerequisite for both the process of skill development, such as lexical and grammatical preparatory exercises, and the development of speaking skills.

One of the key elements in a foreign language lesson's methodological content that ensures student attention is novelty. In this context, novelty refers to the freshness of educational materials' content, the freshness of instructional formats (such as press conferences and excursions), and the freshness of task kinds; in other words, the continuous (within acceptable bounds) novelty of every aspect of the educational process.

It is expected that interactive and dynamic approaches will be employed since they are more successful and efficient.

• The case approach. There is a description of a circumstance (actual or as near to reality as feasible). Students are required to investigate the problem, put up potential solutions, and select the best one.

•The project technique entails the capacity to independently analyze a given scenario and identify a workable solution. The project method integrates creative approaches, educational strategies, research, and search.

•The problem technique is putting forward a dilemma (problem scenario, troublesome issue) and looking for answers by examining related situations (problems, phenomena). •Reading and writing as a means of fostering critical thinking is a technique designed to foster critical (independent, imaginative, and rational) thinking. The stages of challenge, comprehension, and reflection comprise the unique lesson structure provided by the technique. •Heuristic method: this approach mixes a range of gaming strategies through research, business and role-playing games, and tournaments.

• The problem-based learning approach and the research process share certain similarities. The problem is only formulated by the instructor in this instance. It is the students' responsibility to plan their research to analyze the issue.

•A modular teaching approach divides training material into didactic units, or modules. The topic, learning objectives, student profile differential, and their selection all influence how big a module gets. Numerous factors determine the strategy of choice:

• Learning objectives; • student readiness level; • student age; • study time allotted; • school supplies; • instructor preparation, both theoretical and practical.

Every teaching approach has a unique set of strategies that make it easier to put the approach into practice.

It is common knowledge that a teacher's primary responsibility is to inspire their students to learn. In the meantime, there is a wide range of research being done on motivation, and there are various interpretations of this phenomenon. The complexity of the motivational problem dictates the range of perspectives that can be used to comprehend its essence and select the best research methodologies. First, we observe that human conduct has two functionally related sides: incentive and regulatory.

Drive 16 is in charge of activating and directing behavior, while regulation controls how it unfolds in a given scenario from start to finish. The main function of





mental processes, states, and phenomena like thinking, focus, memory, perception, imagination, feelings, emotions, temperament, character, and abilities is to regulate behavior. Regarding its stimulation, or motivation, it is connected to the ideas of motivation and motive. Distinguishing these two ideas is crucial. Compared to "motive," the term "motivation" conveys a more expansive idea.

The term "motivation" has two meanings in contemporary psychology: first, it refers to a system of elements (motives, needs, goals, intentions, and much more) that determine behavior; second, it describes a feature of a process that both stimulates and sustains behavioral activity at a particular level. When attempting to explain conduct, the idea of motivation comes up. The queries "why?", "for what?", "for what purpose?", "why?", and "what is the point...?" are being sought after in this search. The answer to the question of why particular behaviors are taken is found in the causes of long-lasting behavioral changes. Regarding the concept of motivation, the definition provided to this phenomenon by one of the foremost researchers on the subject seems to us the most comprehensive: motive is the reason behind an action; external objects, ideas, feelings, and experiences can all serve as motives. Everything that encapsulated the need, to put it simply. Careful examination is needed of the methodological and psychological facets of the topic of motivation enhancement. From the perspective of learning psychology, the following elements are crucial:

- 1) Skillful encouragement from the instructor
- 2) Including the emotional domain in the educational process;
- 3) Customizing instruction for each learner; Using audiovisual materials;
- 5) Managing knowledge, skills, and abilities;
- 6) Including students in independent work throughout class; and
- 7) Fostering a collaborative and friendly environment in the classroom.

Methodologists recommend the following unconventional approaches to teaching foreign languages in order to carry out these requirements:

- 8) Presenting challenging assignments and circumstances;
- 9) Integrating the project methodology into instructional procedures;
- 10) Utilizing role-playing and educational games;
- 11) Utilizing resources for area studies;
- 12) Establishing an extracurricular activity system;
- 13) Adding language activities outside of the classroom.

The state standard states that the development of communicative competence is intrinsically linked to knowledge of sociocultural and regional studies, which also serves to boost students' interest for studying a foreign language. In order to improve the subject-content plan, the linguistic and regional component is required to correct information on regional studies in language units. Among the factors boosting its action are its regular use and careful selection. Texts on regional studies ought to contain material that is somewhat novel and significant to students. In this context, texts that provide details on the place where the language being studied is being learned, its government, children's and youth groups, etiquette quirks, and speech patterns inside its borders are all relevant. The goal of all of this is to make students realize how important it is to familiarize themselves with regional studies resources on their own. Since linguistic and regional studies cover both language instruction and the acquisition of knowledge about the nation whose language is being studied, they aid in boosting motivation. Another crucial aspect of learning a foreign language is its societal component. Culture has a significant impact on how someone develops their personality. Thus, culture in its broadest sense encompasses both more and less information about the nation, as well as background knowledge about native speakers' nonverbal cues during conversations. As such, a foundation is required from which students can learn about the nation's customs and the accomplishments of their own culture within the context of global culture. Studying a foreign language is made much more motivating by the sociocultural component, which in a way permits conversation between civilizations.

To sum up, it is important to remember that the learning environment should mimic authentic communication situations as closely as possible, as this is how the consolidation of learnt language phenomena occurs. For pupils to understand the purpose of completing assignments in the language they are studying, they must be aware of the subject and the behaviors associated with it.

Research Science and  
Innovation House



### Literature:

1. Djakhonobodkhonovna K. G. Problems encountered in teaching English as a foreign language //Вопросы науки и образования. – 2019. – №. 5 (50). – С. 165-167.
2. Ходжаева Г. Д. Использование коммуникативного подхода в обучении грамматике английского языка //Проблемы современной науки и образования. – 2019. – №. 12-2 (145). – С. 153-155.
3. Rakhmanov D. M., Khodjaeva G. D., Mamaruziev S. Ancient greek architecture //American Journal of Technology and Applied Sciences. – 2023. – Т. 18. – С. 71-75.
4. Khodjaeva G. D. Actual problems of teaching a foreign language in secondary schools //Экономика и социум. – 2022. – №. 12-1 (103). – С. 145-148.
5. Ходжаева Г. Д. Формирование Навыков Осознания Гражданских Прав И Обязанностей У Молодежи В Современном Обществе //Central Asian Journal of Theoretical and Applied Science. – 2021. – Т. 2. – №. 12. – С. 189-192.
6. Shamsunovna, N. A. (2022). The Concept, Essence, Features of the Methods and Techniques Used in Teaching Foreign Languages. European Journal of Humanities and Educational Advancements, 3(1), 116-118.
7. Нигматуллина, А. Ш. (2016). Проблема повышения и развития эффективности качества чтения на иностранном языке. Ученый XXI века, 95.
8. Nigmatullina, A. (2023, May). Formation and origin of ecoterminological system. In International Conference on Research Identity, Value and Ethics (pp. 313-315).
9. Shamsunovna, N. A. (2023). Best practice of study the terminology of ecology on the basis of uzbek and english languages. International journal of social science & interdisciplinary research ISSN: 2277-3630 Impact factor: 7.429, 12, 69-70.
10. Nigmatullina, A. S. (2023). Main issues of reflecting ecoterms in translation. Журнал иностранных языков и лингвистики, 5(5).
11. Nigmatullina, A. S. (2023). Similarities and differences in the semantic structure of environmental terms. Журнал иностранных языков и лингвистики, 5(5).

12. Shamsunovna, N. A. (2022). Linguistic study of ecological terms. *Gospodarka i Innowacje.*, 24, 652-654.
13. Nazirovich, A. U. (2022). Turizmga oid atamalarning lingvokulturologik xususiyatlari. *Conferencea*, 256-258.
14. Abdukodirov, U. N. (2020). Using of dictionary sources for improving integrated teaching methods. *Scientific and Technical Journal of Namangan Institute of Engineering and Technology*, 2(11), 230-234.
15. Abdukodirov, U. (2020). Materials development in teaching. In *мировая наука 2020. Проблемы и перспективы* (pp. 3-5).
16. Nazirovich, A. U. (2023). Methodical approaches in english teaching. *Journal of Science-Innovative Research in Uzbekistan*, 1(9), 1169-1173.



Research Science and  
Innovation House





## IMPROVEMENTS TO THE 5LP LINT SEPARATOR

**H. E. Turdiyev**

Lecturer, Fergana Polytechnic Institute, Fergana, Uzbekistan

**D.O‘zganova**

Student, Fergana Polytechnic Institute, Fergana, Uzbekistan

**A.Raximjonova**

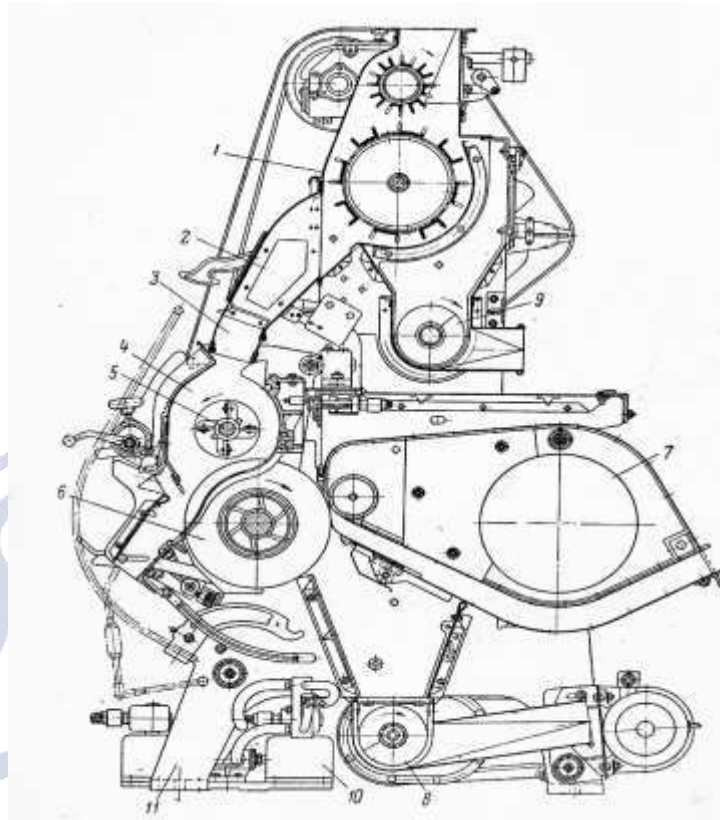
Student, Fergana Polytechnic Institute, Fergana, Uzbekistan

**Annotation:** As a result of the improvement of the 5LP type linter equipment adjuster, we can improve the cleaning efficiency of the linter equipment to a certain extent and achieve higher-quality fluff.

**Keywords:** Working camera, seed, raw material, 5LP, cleaning, fluff, quality.

The seeds, separated from all the fibers, lose their ability to stick together, in order to maintain a good state, and for a better direction of the cleaned fiber, they are separated from the seeded cotton roller between the saw cylinders, and fall to the surface of the colosnik and then down its slits. The seed from the gin must be cleaned before linting. Because small stones and impurities are mixed between the seeds. The seed must first be cleaned to ensure that the fluff from the linter is clean. In addition, if the seed is not cleaned, after falling into the linter, the stones contained in it will affect the saw teeth in the linter and adversely affect the seed. The linting process consists of 2 lines, 5 5LP in the 1st line and 5 5LP in the 2nd line. The number of saws is 160, the number of saw teeth is 330, the diameter of the saw is 320 mm.

The difference between the linter and the genie is that the device is installed in the working chamber. Saw teeth are sharpened on one side instead of two sides. A density valve is installed in the working chamber of the linter, and if the amount of seed in the working chamber increases, the density valve is pushed and the speed of the supply representatives is adjusted.



**Figure 1. 5-LP type linter**

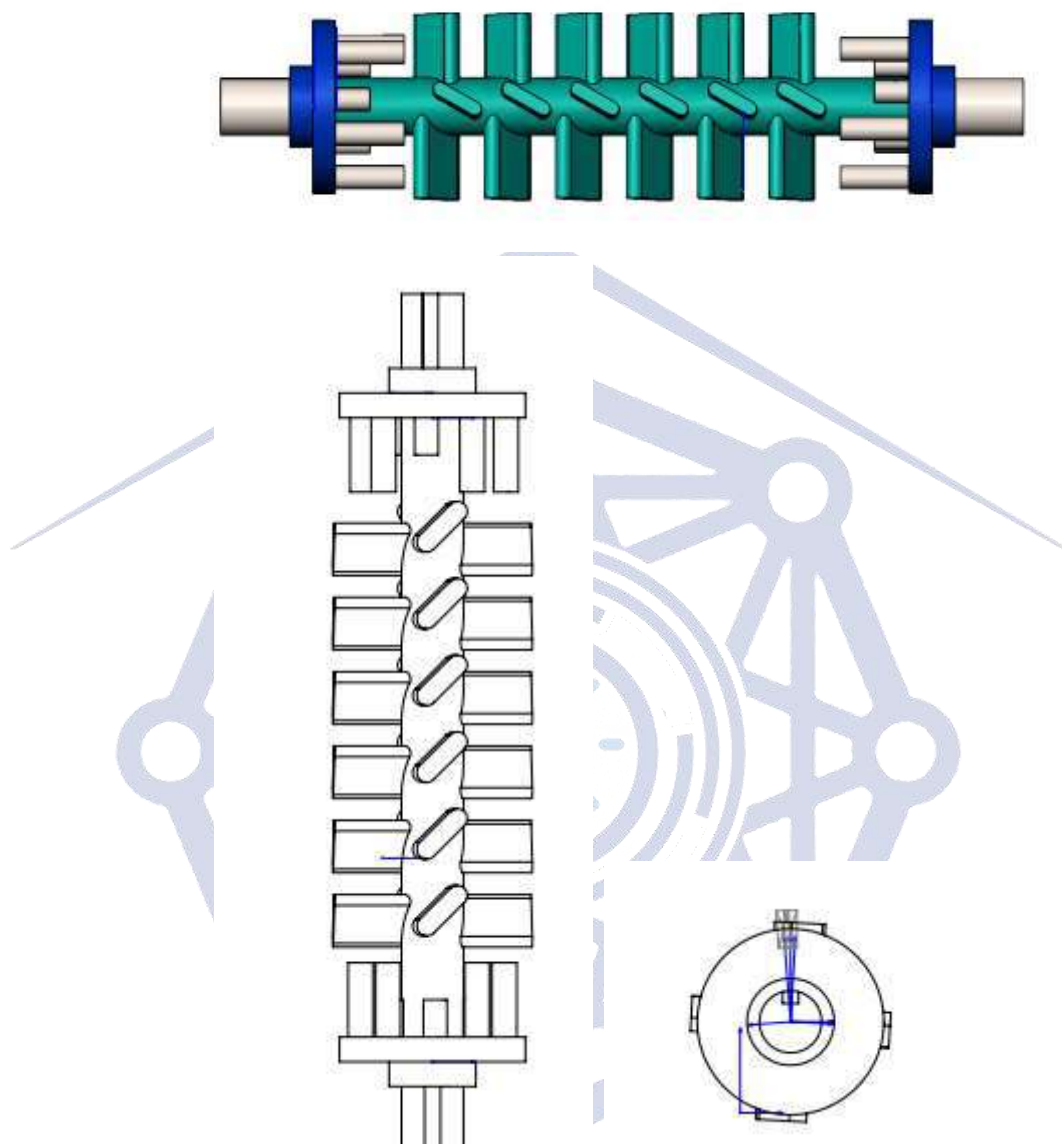
1-KPP model supplier; 2nd seed making rod; 3. A rubber barrier that prevents the return of the plug from the working chamber; 4th working (seed) chamber; 5th adjuster; 6-saw cylinder; 7th air chamber; 8-thousand conveyor; 9th waste conveyor; 10-electropereklyuchetel; 11th base;

The proposed part accelerates the process of extracting fluff from the seed by moving the raw material roller in the existing equipment. The difference between this equipment and the previous equipment is that in the existing equipment, the trimmer moves in one line in the same clockwise direction, while the working body we proposed is installed in a different direction relative to the axis, so the working the seeds in the chamber rotate in different directions every time they collide with the saw cylinder, and the piles on the side allow you to move the raw material to the side.

Research Science and  
Innovation House







**Figure 2. Technological calculation of the prepared cleaner.**

5- The process of lintering in the LP equipment is performed as follows: the seeds are fed to the drum with a pile plate with the help of the seed receiving shaft of the KPP type feeder mounted on the linter. Due to the rotation of the drum, the pile and planks drag the seed over the surface of the mesh with 2.5 x 3 mm holes, it is cleaned of small impurities in the amount of seed, and it flows evenly along the length of the feeder tube into the working chamber of the linter. The reason why the seed falls into the working chamber of the linter at the same time and is intensively stirred is the checkerboard arrangement of the pile-planks and their rotation at the



same speed. Under the influence of the rotating saw cylinder and the trimmer in the working chamber, the seeds are compacted in a rotary roller. The saw teeth pierce the rotating shaft of the seed and snag or scrape off the fibrous mass on the surface of the seed, which is called fluff.

### Summary

In this article, we managed to increase the cleaning efficiency of the Linter equipment in the process of linting the seed cotton. I think that this research will benefit the cotton industry by further improving the equipment.

It is taken into account that the efficiency of the purifier depends on the raw materials in the working chamber. Cast iron is used in the updated cleaner. Even if the updated part is longer, the price will not change much. While the price has not changed, the performance of the upgraded cleaner will increase.

### References:

1. M.A. Babadjanov. "Technological process design". Textbook. T., Cholpon, 2009. - 182 pages.
2. E.Z. "Cotton preliminary processing" under the general editorship of Zikriyoyev, Tashkent "Mehnat", 2002. 3. M.T. Tillaev, "Technology and equipment of preliminary processing of cotton", methodical manual for performing laboratory work. T., "TTESI", 2015.
4. M.A. Gapparova, M.E. Ruzmetov, T.O. Toychiyev, "Preliminary processing of natural fibers" study guide. Tashkent, TTESI, 2018.

---

# Research Science and Innovation House



## IMPROVING THE EFFICIENCY OF THE TECHNOLOGY FOR CLEANING SMALL IMPURITIES IN SEED COTTON

**H. E. Turdiyev**

Lecturer, Fergana Polytechnic Institute, Fergana, Uzbekistan

**J. Abduraimov**

Student, Fergana Polytechnic Institute, Fergana, Uzbekistan

**D. Shamatova**

Student, Fergana Polytechnic Institute, Fergana, Uzbekistan

**Annotation.** This article is about the national process of processing raw cotton with a variety of problems in cleaning large and small scum. In order to find solutions to this problem, it has been determined by the analysis of the effectiveness of the small-scale cotton-fertilization technology for other cotton fertilizers compared to other models.

**Keywords.** air flow, pipe, air pressure, mesh surface, air distributor.

### INTRODUCTION

In order to improve the technological processes of the 1-XK small dirt cleaning machine, scientific research work was conducted and analyzed in the conditions of production. The results showed that small impurities (soil and cotton leaf particles) mixed with air in the air flow from the first pile drum were found to move to the next sections and fall back into the cotton.

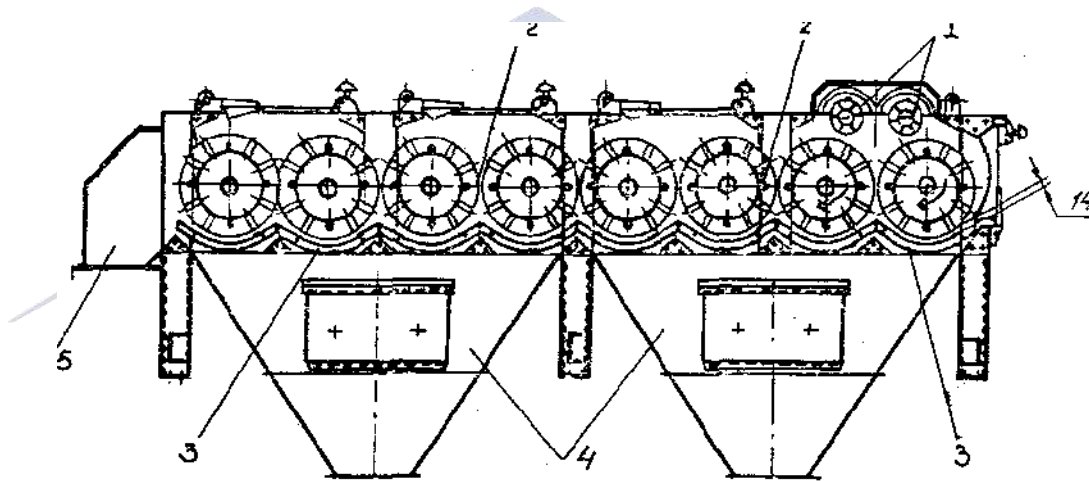
The increase and decrease of productivity and efficiency of the cotton ginning enterprise depends on the technological processes of drying and cleaning seed cotton. Today, due to the increase in the types of cotton varieties and the emergence of special varieties, which are called difficult to clean, it is necessary to improve the technology and technique of cleaning seed cotton from small impurities. To this day, the 1XK small dirt cleaning machine is used in cotton ginning enterprises.

### Structure and operation of 1XK-type cleaning machine.

A cross-sectional diagram of this machine is presented. The cleaner consists of 8 pile-plate drums. The piles are 75 mm high, and after every two rows of piles, the

sheets (planks) are fixed to the drum at the same height. Colosnik bars or perforated mesh are installed under the drums.

The cotton is fed to the machine through the loading chute to the supply rollers (1). Supply rollers are responsible for supplying cotton to pile-plate drums at a uniform rate. It is connected to the IVA variator



**Figure 1. 1X Technological scheme of the cotton seed cleaner from small impurities.**

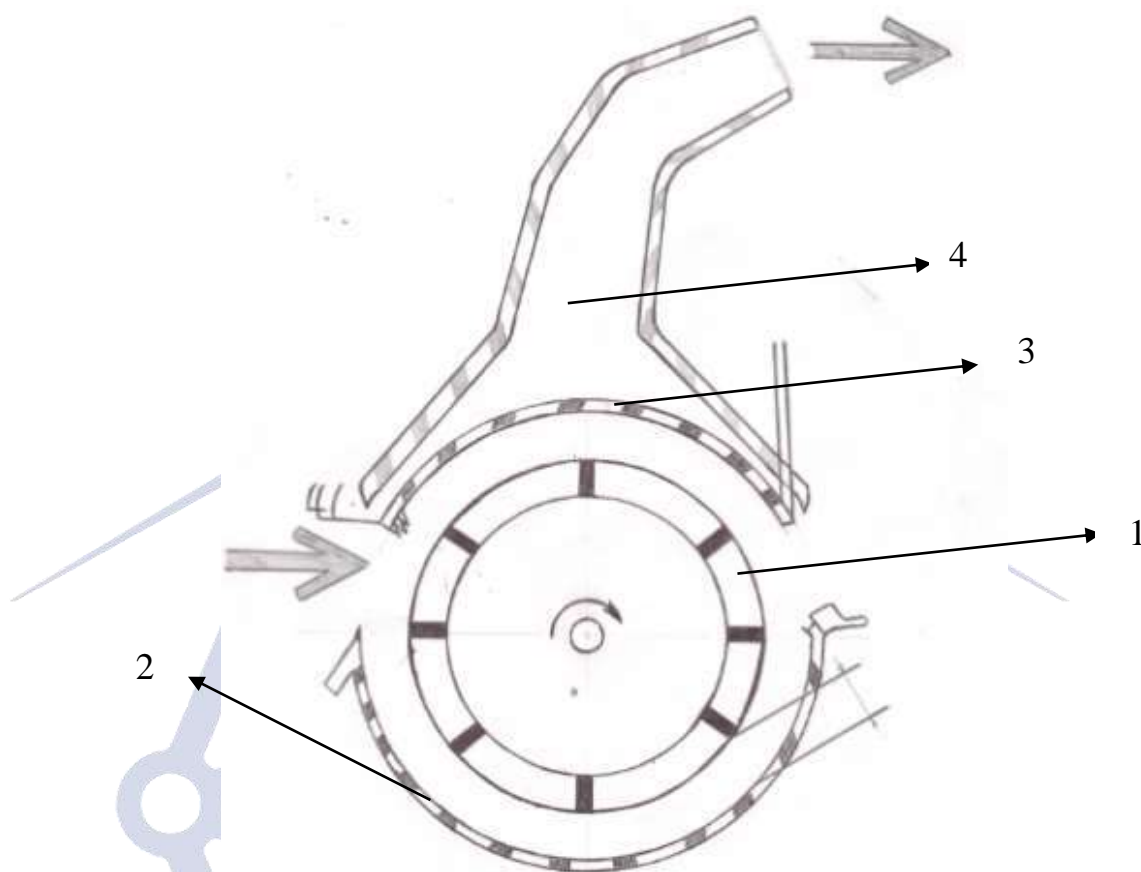
**1-supply chains; 2-pile-blade drums; 3-grid surface (surface); 4th dirt**

Cotton falls on piled drums (2) and is beaten with piles and hit on mesh surface (3). As a result, seeded cotton is shaken and cleaned of small impurities. The impurities released through the mesh surface fall into the hoppers (4) and are taken out with the help of a collecting auger.

In order to improve the technological processes of the 1-XK small dirt cleaning machine, scientific research work was conducted and analyzed in the conditions of production. The results showed that small impurities (soil and cotton leaf particles) mixed with air in the air flow from the first pile drum were found to move to the next sections and fall back into the cotton. In order to study these problems, a device for absorbing the air generated during the rotation of the drum on the upper part of the first pile drum was prepared and experimental tests were conducted.







**An improved technological scheme of the 1-XK seed cotton cleaner  
from small impurities.**

**1-piled drum; 2-net surface (surface); 3- the surface of the air intake, 4  
the suction tube inside the chamber**

#### REFERENCES .

1. A. Salimov, M. Akhmatov "Preliminary processing of cotton". Study guide. Tashkent "Knowledge" 2005
2. Babadjanov MA "Technological process design" textbook, Tashkent, Cholpon-2009.
3. J. Jabborov "Technology of seed cotton processing". "Teacher" Tashkent-1987.
4. HETurdiyev "Improving the performance of dust collectors VZP-1200 and adding new innovative technologies" Uzbekistan - 2023, pp. 154-160.



## XORAZM VILOYATI QISHLOQ JOYLARIDA IJTIMOYIY INFRASTRUKTURA TIZIMINING HUDUDIY TARKIBI

**UzMU g.f.d. prof. Komilova Nilufar Qarshibayevna**  
**Atayeva Nazira Polvonnazarovna - Urdu geografiya fani o‘qituvchisi**  
**Shomurodov Mansurbek Jonibek o‘g‘li - talaba**

**Annotatsiya:** Xorazm viloyati qishloq joylarida ijtimoiy infrastruktura tizimining hududiy tarkibi mavzuning dolzarbligi aholining maishiy ehtiyojlarini ta‘minlash, xizmatlarga kirish-chiqishni ta‘minlash, transport va kommunikatsiya aloqalarini, sog‘lik va ta‘lim tizimlarini o‘z ichiga oladi. Bu mavzu dolzarbdir, chunki aholi uchun sodda va samarali xizmatlar ta‘minlanishi, infrastruktura yaxshilash va rivojlantirish, ijtimoiy rivojlanishning muhim shartlaridan biri. Xorazm viloyati qishloq joylaridagi infrastruktura tizimi aholi sog‘ligi, ta‘limi, transporti va boshqa asosiy yo‘nalishlarga ega bo‘lib, hududiy tarkib faoliyatining samaradorligini ta‘minlashga yordam beradi. Maqolada tushuntirilgan ma‘lumotlar viloyatdagi ijtimoiy infrastrukturaning mustahkamlashda va yengilashda asosiy tufayli yo‘li elon qilingan.

**Kalit so‘zlar:** administrativ markazlar, sug‘urta va politsiya markazlari, davlat va xizmat markazlari, maktablar va tibbiy xizmatlar, administrativ bo‘linishi, aholining turmush tarzi, ijtimoiy xizmatlarga kirish-chiqish joylari.

**Аннотация:** Территориальная структура системы социальной инфраструктуры в сельской местности Хорезмской области, актуальность темы включает обеспечение бытовых нужд населения, доступность услуг, транспортных и коммуникационных связей, систем здравоохранения и образования. Данная тема актуальна, поскольку предоставление простых и эффективных услуг населению, улучшение и развитие инфраструктуры является одним из важных условий социального развития. Инфраструктурная система в сельской местности Хорезмской области имеет основные направления: здравоохранение населения, образование, транспорт и другие и способствует обеспечению эффективности региональной структуры. Информация, изложенная в статье, является основной причиной укрепления и преодоления социальной инфраструктуры региона.





**Ключевые слова:** административные центры, страховые и полицейские центры, государственные центры и центры обслуживания, школы и медицинские услуги, административное деление, образ жизни населения, точки входа и выхода в социальные службы.

**Abstract:** The territorial structure of the social infrastructure system in the rural areas of Khorezm region, the relevance of the topic includes provision of household needs of the population, access to services, transport and communication links, health and education systems. This topic is relevant, because the provision of simple and effective services for the population, improvement and development of the infrastructure, is one of the important conditions of social development. The infrastructure system in the rural areas of the Khorezm region has population health, education, transport and other main directions and helps to ensure the effectiveness of the regional structure. The information explained in the article is the main reason for strengthening and overcoming social infrastructure in the region.

**Key words:** administrative centers, insurance and police centers, state and service centers, schools and medical services, administrative division, lifestyle of the population, entry and exit points to social services.

**Kirish:** Ma'lum qilinishicha, qishloq xo'jaligi, yirik sanoat korxonalari, transport-kommunikatsiya tizimi, kichik biznes salohiyati tufayli Xorazm viloyati mamlakatimiz taraqqiyotida muhim o'rin tutadi.

Keyingi yillarda viloyatda yangi korxonalar, kichik biznes sub'yektlari, ko'p tarmoqli fermer xo'jaliklari tashkil etilgan. Turizm, to'qimachilik sanoati, baliqchilik, parrandachilik, irrigatsiya va boshqa sohalarda istiqbolli loyihalar amalga oshirilgan. Uy-joylar, shifoxonalar, maktablar va bolalar bog'chalari qurilgan.

2017-2020 yillar davomida viloyat yalpi hududiy mahsuloti (YaHM) 17 foizga oshib, 21,6 trillion so'mni tashkil etgan. Sanoat mahsulotlari ishlab chiqarish 2,8 trillion so'mdan 9,6 trillion so'mgacha (o'sish 46 foiz) oshgan.

To'qimachilik, avtomobilsozlik, elektrotexnika va oziq-ovqat sanoati, sayyohlik, xizmat ko'rsatish va issiqxonalar Xorazm viloyatining asosiy «o'sish nuqtalari» sifatida belgilangan.

Qishloq xo'jaligi mahsulotlari ishlab chiqarish 2016 yildagi 7,7 trln so'mdan 2020 yilda 17 trln so'mgacha o'sgan.



Viloyatda faoliyat ko'rsatayotgan korxonalar soni 2016 yildagi 19,4 mingdan 2020 yilda 24,1 mingga yetgan (o'sish 25 foiz).

Infratuzilmani rivojlantirish sohasida 2016-2020 yillarda 50 km gaz quvurlari va 3 304 km suv ta'minoti tarmoqlari yotqizilgan.

O'tgan 5 yil mobaynida Xorazm viloyatida 109 mingga yaqin ish o'rni yaratilgan. 3 930 ming kv.m. uy-joy foydalanishga topshirilgan. Maktabgacha ta'lim muassasalaridagi o'rinlar soni 12,3 mingga, maktablarda 45,9 mingga yetkazilgan. Shifoxonalarda 2,2 ming o'ringa mo'ljallangan koykalar tashkil etilgan.

**Asosiy qism:** Ijtimoiy infrastruktura qishloq joylari uchun ahamiyatga ega, chunki uning mavqeyi va sifati aholi sog'ligi, ta'limi, transporti, va boshqa sohalar uchun asosiy bo'ladi.

Xorazm viloyati qishloq joylarida ijtimoiy infrastrukturani baholashda quyidagi muhim yo'nalishlarni kuzatish kerak:

**1. Transport tarmoqlari:** Yol va transport tarmoqlari qishloq joylarining ulushi va bog'lanishi uchun ahamiyatga ega. Infrastruktura zarur bo'lgan tarmoq va yo'llar ta'mirlash va yangilash lozim.

**2. Suv ta'minoti:** Suv muammolari birinchilardan bo'lib, qishloq joylarining muhim muammolaridan biri. Suv ta'minoti va suv ularning ishlash holati qishloq aholisi uchun muhimdir.

**3. Elektr ta'minoti:** Elektr energiyasi hozirda moddiy va ma'naviy hayotning ahamiyatli elementi. Qishloq joylarida hozirgi zamon talablari uchun yetarli elektr ta'minoti muhim ahamiyatga ega.

**4. Ta'lim muassasalari:** Qishloq joylarida ta'lim muassasalari va maktablar aholi uchun katta ahamiyatga ega. Bu muassasalarning yaxshi holatda bo'lishi, ustoz-kasblarni o'qitish-tarbiyalash uchun zarur resurslarga ega bo'lishi kerak.

**5. Tibbiy xizmatlar:** Qishloq joylarida sog'likni saqlash va o'zaro yordam ko'rsatish uchun zarur tibbiy xizmatlar, poliklinikalar, va dori-darmonxonalar ega bo'lish muhimdir.

Xorazm viloyati qishloq joylarida ijtimoiy infrastruktura muammolari darajasini yukseltish uchun investitsiyalar, korxonalar, va dastlabki resurslar kiritilishi zarur. Shuningdek, hokimiyat, jamiyat va qishloq aholisi o'rtasidagi ishbilarmon munosabatlar va hamkorlikning kuchi ham muhim ahamiyatga ega. Jamiyat taraqqiyoti, ijtimoiy-iqtisodiy o'zgarishlar faqat vaqt (davr) davomida



kechmaydi, ular ayni paytda muayyan joyda-makonda ham sodir bo‘ladi. Ijtimoiy rivojlanishning ana shu hududiy jihatlari geografiya fanining tadqiqot doirasiga kiradi. Biroq jamiyat rivoji bilan uni o‘rganuvchi fanlarning tadqiqot obyekti ham murakkablashib va takomillashib boradi. Bu tabiiy va o‘zo‘zicha qonuniy holdir.

Xorazm viloyati qishloq joylarida ijtimoiy infrastruktura tizimining hududiy tarkibi aholining turmush tarzi, zaruriy ehtiyojlari, ijtimoiy xizmatlarga kirish-chiqish joylari va boshqa yo‘nalishlarga asoslangan. Bu tizim ikki darajali bo‘lib, shahar tuman va qishloq joylari darajalariga bo‘linib, ulardagi imkoniyatlarni va xizmatlarni ta‘minlaydi.

### 1. Shaharlar va Tumanlar:

- **Administrativ Markazlar:** Viloyat markazi, tuman va shahar administrativ binolariga ega.
- **Sug‘urta va Politsiya Markazlari:** Aholining xavfsizligini ta‘minlash maqsadida politsiya va sug‘urta bo‘limlari mavjud.
- **Davlat va Xizmat Markazlari:** Davlat boshqaruv organlari, ijtimoiy xizmatlar (sog‘lik, oliy ta‘lim, transport, kommunikatsiyalar).
- **Maktablar va Tibbiy Xizmatlar:** Ta‘lim, tibbiy xizmatlar kabi ijtimoiy muassasalar shaharlar va tumanlar bo‘ylab joylashgan.

### 2. Qishloq Joylar:

- **Qishloq Boshqarmasi:** Qishloqning administrativ-mudiriya organi.
- **Ovqat Mahsulotlari Savdo Markazlari:** Agrofirma yoki bozorlar qishloq aholisining mahsulotlarini sotish uchun joylar.
- **Maktablar va Dori-Darmonxonalar:** Qishloq joylari uchun ta‘lim va sog‘lik xizmatlarini ta‘minlash maqsadida muassasalar.

Xorazm viloyati qishloq joylarida ijtimoiy infrastrukturaning rivojlantirishda hududiy tarkibni va aholining ehtiyojlarini tushuntirish, infrastrukturaning yaxshilashda muhim ahamiyatga ega. Bu tarkib va tizim aholi uchun ma‘qul va sodda yuksak sifatli xizmatlarni ta‘minlash uchun strategik ahamiyatga ega.

Agar sizga boshqa savollar yoki tafsilotlar kerak bo‘lsa, menga xabar bering! Endi Xorazm viloyati qishloq joylaridagi ijtimoiy infrastruktura tizimining batafsilroq tavsifiga kirsa ham bo‘ladi.

Xorazm viloyati qishloq joylarida ijtimoiy infrastruktura tizimi aholining turmush tarzi, maishiy ehtiyojlari bilan birga, ijtimoiy xizmatlar va imkoniyatlarga kirish va egress uchun muhim joylarga asoslangan. Bu tizim shaharlar, tumanlar va



qishloq joylari darajalariga bo‘linadi. Quyidagi ko‘rinishda Xorazm viloyati qishloq joylaridagi ijtimoiy infrastruktura tizimining hududiy tarkibiga oid ma‘lumotlar beramiz:

### 1. Shaharlar va Tumanlar

- Administrativ Markazlar: Shaharlar va tumanlar viloyat va mintaqadagi administrativ va boshqaruv organlariga ega bo‘lib, hokimiyat faoliyatini koordinatsiyalaydi.

- Sug‘urta va Politsiya Markazlari: Aholini xavfsizligini ta‘minlash maqsadida politsiya va sug‘urta tizimlari shaharlar va tumanlarda joylashgan.

- Davlat va Xizmat Markazlari: Sog‘lik, ta‘lim, transport, kommunikatsiya sohasini o‘z ichiga olgan davlat va ijtimoiy xizmat markazlari shaharlar va tumanlar bilan bog‘liq.

- Maktablar va Tibbiy Xizmatlar: Ta‘lim muassasalari, poliklinikalar va dori-darmonxonalarining shaharlar va tumanlar bo‘ylab joylashgan.

### 2. Qishloq Joylar

- Qishloq Boshqarmasi: Qishloq joylarining administrativ-mudiriya organlari qishloq aholisi uchun xizmat ko‘rsatadi.

- Ovqat Mahsulotlari Savdo Markazlari: Agrofimlar va bozorlar qishloq aholisi uchun ovqat mahsulotlarini sotish uchun asosiy joylar dir.

- Maktablar va Dori-Darmonxonalar: Ta‘lim va sog‘lik xizmatlarini ta‘minlab, qishloq aholisini o‘rganish va sog‘liklantirishda ishtirok etadigan muassasalar.

Xorazm viloyati qishloq joylarida ijtimoiy infrastrukturani o‘rganishda hududiy tarkib va aholi ehtiyojlari muhim ahamiyatga ega. Infrastrukturani yaxshilash va rivojlantirishda hududiy xususiyatlarni tushuntirib, muvofiqlash uchun dastlabki resurslarni o‘rganish muhimdir.

Bunday holatlarda, hududiy tarkib va mahalliy ehtiyojlarni tushuntirish va yuksalish davlat va jamiyatning o‘zaro hamkorligi va ko‘rsatilgan xizmatlarni ta‘minlash uchun muhimdir.

#### **Xulosa va takliflar:**

Xorazm viloyati qishloq joylarida ijtimoiy infrastruktura tizimining hududiy tarkibi haqida xulosa va takliflar:

#### **1. Xulosa:**





- Xorazm viloyati qishloq joylaridagi ijtimoiy infrastruktura tizimi aholining turmush tarzi, ijtimoiy xizmatlarga kirish-chiqish joylari va imkoniyatlarga asoslangan.

- Qishloq joylari tarkibida qishloq boshqarmalari, ovqat mahsulotlari savdo markazlari, tibbiy xizmatlar va maktablar kabi muhim muassasalar o‘rnini egallaydi.

- Viloyat tarkibidagi hududiy bo‘linish, administrativ markazlar va xizmat markazlari o‘zaro ko‘p xizmatlarni ta‘minlashda muhim ahamiyatga ega.

Xorazm viloyati qishloq joylarida ijtimoiy infrastruktura tizimi o‘rtasida hududiy tarkib juda katta ahamiyatga ega. Bu tarkib aholini qulay va arzon xizmatlarga ega bo‘lishi uchun zamonaviy va yaxshi sharoitlarga ega bo‘lishi kerak. Shaharlar, tumanlar va qishloq joylari tarkibida turmush tarzi, ijtimoiy xizmatlar, transport tarmoqlari va ma‘raka bo‘limlari muhim joy egallaydi.

- Administrativ Markazlar: Shaharlar va tumanlar kelib chiqishini boshqarishda ahamiyatga ega.

- Xizmat Markazlari: Sog‘lik, ta‘lim, transport, va axborot kommunikatsiyalari uchun muhim markazlar aholining hujjat olish joylariga aylanadi.

- Ovqat Mahsulotlari Savdo Markazlari: Qishloq aholisi uchun mahsulotlarni sotishga mo‘ljallangan markazlar.

- Maktablar va Tibbiy Xizmatlar: Ta‘lim va sog‘lik xizmatlarining ta‘minoti uchun xizmat ko‘rsatish joylari.

Xorazm viloyati qishloq joylaridagi infrastruktura tizimi aholining hayotini osonlashtiradigan muhim asosiyliklarni o‘z ichiga oladi. Hududiy tarkibning to‘liq tushuntirilishi va muammolarni hal etish uchun dastlabki qadam bo‘ladi. Yaxshi yuritilayotgan infrastruktura tizimi avqularga, ta‘limga, sog‘lik xizmatlariga kirish uchun qulaylik yaratadi va o‘zaro aloqani kuchaytiradi.

## 2. Takliflar:

- Hududiy tarkib va ma‘lumotlar aholining ehtiyojlarini ko‘rib chiqishda yana to‘liq sharhlar va tafsilotlar qo‘shish mas‘uliyatiga ega bo‘lishi kerak.

- Transport tarmoqlarini va kommunikatsiya aloqalarini rivojlantirish uchun investitsiyalar kengaytirilishi kerak.

- Aholining tibbiy xizmatlarga kirish-chiqish joylariga yetishishini ta‘minlash va ta‘lim muassasalarining yuqori sifatida bo‘lishi uchun qo‘llanishlarni takomillashtirish imkoniyatlari aks etilishi zarur.



Xorazm viloyati qishloq joylaridagi ijtimoiy infrastruktura tizimining yaxshilash va rivojlantirish uchun hududiy tarkibning aniqlanishi va uning muhimiyati belgilanishi aniq bo‘lishi kerak. Bu takliflar tizimni yanada samarali va sodda qilishga yordam beradi. Aholi yashash joylarining arzon va qulay xizmatlarga ega bo‘lishi jamiyatning o‘shishiga va ustuvorligiga ko‘p ta‘sir qiladi.

#### **Foydalanilgan adabiyotlar**

1. “Xorazm viloyatining qishloq joylarida ijtimoiy infrastruktura tuzilishi va uning samaradorligi” nomli maqolalar va ilmiy tadqiqotlar.
2. “Xorazm viloyatidagi qishloq joylarida ta‘minoti va ijtimoiy infrastrukturaning yaxshilash muammolari” mavzusidagi ilmiy konferensiyalar materiallari.
3. Xorazm viloyati hokimiyatining rasmiy veb-sayti yoki hujjatlari, shu jumladan ijtimoiy taraqqiyot va infratukturaning yaxshilashga oid ma‘lumotlar.
4. Xorazm viloyati qishloq joylarida ijtimoiy taraqqiyotning mustahkamlanishi va infratukturaning rivojlanishi bo‘yicha davlat dasturlarining ko‘rsatmalari.



---

# Research Science and Innovation House



## INGLIZ TILI O‘QITISHDA O‘Z-O‘ZINI BAHOLASH TEXNOLOGIYASINI JORIY ETISH MASALALARI

**Rustamova Shahnoza Aripovna**

(Samarqand davlat chet tillar instituti katta o‘qituvchisi)

[shahnozarustamova01@gmail.com](mailto:shahnozarustamova01@gmail.com)

Maqolada o‘z-o‘zini baholash o‘qitishning ahamiyati, uning tashkil etilishi, turlari va ijobiy jihatlari, o‘z-o‘zini baholashda mustaqil ta’limning o‘rni, o‘z-o‘zini baholashning mazmuni, shakli, vosita va metodlarini ishlab chiqish kabilar haqida so‘z yuritiladi.

**Kalit so‘zlar:** o‘z-o‘zini baholash, bilim, ko‘nikma, malaka, Davlat ta’lim standarti, o‘quv reja, uzluksiz, uzviylik, fan dasturi, pedagogik texnologiya, tamoyil, metod, vosita, shakl.

### **KIRISH**

Prezident Shavkat Mirziyoyevning 8-oktyabr 2019 yilda qabul qilingan O‘zbekiston Respublikasi Prezidentining Farmoni, PF-5847-son O‘zbekiston Respublikasi oliy ta’lim tizimini 2030-yilgacha rivojlantirish konsepsiyasini tasdiqlash to‘g‘risida farmonida O‘zbekiston Respublikasida oliy ta’limni tizimli isloh qilishning ustuvor yo‘nalishlarini belgilanib, zamonaviy bilim va yuksak ma’naviy-axloqiy fazilatli, mustaqil fikrlaydigan yuqori malakali kadrlar tayyorlash jarayonini sifat jihatidan yangi bosqichga ko‘tarish, oliy ta’limni modernizatsiya qilish, ilg‘or ta’lim texnologiyalariga asoslangan holda ijtimoiy soha va iqtisodiyot tarmoqlarini rivojlantirish maqsadida hamda 2030-yilgacha mo‘ljallangan rejalar taqdimoti ishlab chiqildi.

Qolaversa, ta’lim tizimida talabalarga xalqaro tajribalardan kelib chiqib, oliy ta’limning ilg‘or standartlarini joriy etish, jumladan o‘quv dasturlarida nazariy bilim olishga yo‘naltirilgan ta’limdan amaliy ko‘nikmalarni shakllantirishga yo‘naltirilgan ta’lim tizimiga bosqichma-bosqich o‘tish bular qatorida xorijiy tillarni, xususan, ingliz tilini yuqori saviyada o‘rgatish ham pedagoglar zimmasiga yuklatildi. Bu texnologiyalarning bir yo‘nalishi bo‘lgan mustaqil fikrlash va o‘z-o‘zini baholashga qaratish samarali yo‘llardan biri hisoblanadi, chunki u o‘quvchilarni o‘z qobiliyatlari va imkoniyatlariga qarab mustaqil bilim olishga undaydi. Bunday mashg‘ulotlar o‘quvchilarga yakka tartibda va guruhlarda

o‘rgatish, ularning mustaqil ishlarini yetarlicha tashkil etish orqali bilim, ko‘nikma va malakalarni shakllantirish va rivojlantirishga yordam beradi. Shu munosabat bilan o‘qituvchi har bir o‘quvchining qiziqishi, qobiliyati, malakasini hisobga oladi va mashg‘ulotlarni tashkil etish orqali ularning samaradorligini oshiradi.

## METOD

Bugungi kunda ta‘limda o‘z-o‘zini baholashning ahamiyatli taraflarini tahlil qilib ushbu maqolada ko‘rsatiladi. Xorijiy tillarni o‘rganish va til ko‘nikmalarini oshirish jarayonida dasturda ko‘rsatilgan asosiy baholash tizimidan tashqari o‘z-o‘zini baholash tizimining yangi avlodini yaratish uchun ilg‘or tajriba va zamonaviy, samarali pedagogik usullarni amaliyotga tatbiq etish zarur. Bu esa pedagog kadrlarni muntazam ravishda tayyorlash, moddiy-texnika bazasini yangilab borishni taqozo etadi, bu bilan pedagoglardan katta mas‘uliyat va ijodkorlikni talab etadi.

O‘z-o‘zini baholash ko‘nikmalarini shakllantirish murakkab jarayon bo‘lib, bir necha jihatlarni o‘z ichiga oladi. Talabalar dastur materiallarini o‘zlashtirib, bilim va ko‘nikmalarini, ijodiy ishlarini, fanga bo‘lgan qiziqishlarini oshirishlari kerak. Natijada ularning faolligi ortadi, o‘quv materiallarini o‘z qobiliyati va imkoniyatlariga ko‘ra bemaolol o‘zlashtira oladi. Iqtidorli o‘quvchilarning chuqur bilim olishga bo‘lgan ehtiyojlari ham qondirilib, o‘z-o‘zini baholash malakasi mustaqil fikrlash va xolisona bilim olish asosini tashkil etadi.

O‘z-o‘zini baholashning bu jihatlari o‘quvchilarning bilim, ko‘nikma va malakalarini shakllantirishda muhim ahamiyatga ega. Ular o‘quvchilarni mustaqil fikrlash va o‘z ustida muntazam ishlashga undaydi, ularning kuchli va zaif tomonlarini to‘liqroq tushunishga olib keladi.

Shuni ta‘kidlash kerakki, o‘z-o‘zini baholash o‘ylangan holda tashkil etilishi kerak. Talabalarni kutilmaganda foydalanishga taklif qilish noto‘g‘ri. Buning o‘rniga o‘quvchilarning individualligi, qiziqishlari va iste‘dodiga tayanish kerak. Bu orqali o‘quvchilar o‘zlarining individualligini ko‘rsatish uchun qulay imkoniyatga ega bo‘ladilar, bu esa o‘z shaxsini namoyon etishi uchun qulay sharoit yaratadi.

Ta‘kidlash joizki, o‘z-o‘zini baholash ko‘nikmasini shakllantirish va uning ilmiy asoslarini yaratish pedagogika sohasida ijobiy natijalar berdi. O‘quvchilarning o‘z-o‘zini baholash jarayoniga nazariy va uslubiy yondoshuvini ta‘minlash mustaqil fikrlash va xolisona bilim olishga ko‘maklashishning samarali usuli ekanligi isbotlangan.

Buning uchun o‘quv jarayonida quyidagi tadbirlarni amalga oshirish kerak:





- pedagog shaxsiga individual yondashuv asosida o‘z-o‘zini baholash sohasidagi ilg‘or tajribalarni o‘rganish, umumlashtirish va amaliyotga tatbiq etish mexanizmini ishlab chiqish;

- milliy darajada o‘z-o‘zini baholashning ahamiyatini aniqlash;

- o‘z-o‘zini baholash jarayonining pedagogik yaxlitligini ta‘minlashga qaratilgan ilmiy-uslubiy tavsiyalarni ishlab chiqish:

- o‘z-o‘zini baholashning yo‘nalishlari, mazmuni, shakli, vositalari va usullarini tushunish;

- individual yondashuv asosida guruhlarga bo‘lingan holda o‘qitish jarayonida tarbiyaviy ishlarni tashkil etish usullarini ishlab chiqish;

- o‘z-o‘zini baholash jarayonida o‘qituvchilar mehnatini tashkil etishning noyob

- o‘qituvchining shaxsiy qobiliyati, iste‘dodi va qiziqishlarini rivojlantirish va ularni aniq maqsad sari yo‘naltirishga xizmat qiluvchi ta‘lim nazariyasini yaratish kabilar.

### **NATIJA**

Shuni ta‘kidlash kerakki, o‘z-o‘zini baholash talabalar uchun o‘quv dasturini shakllantirishda hal qiluvchi rol o‘ynaydi, chunki u muayyan talablar asosida individuallashtirish imkonini beradi. Bu, o‘z navbatida, har bir talabaga o‘z ta‘lim yo‘nalishini tanlash huquqini beradi, ta‘lim sifatini har tomonlama oshirish uchun qulay imkoniyatlar yaratadi. Bunday holda, ta‘lim jarayoni faqat bilimlarni uzatishga yo‘naltirilgan bo‘lishi kerak emas, balki o‘quvchini shaxs sifatida rivojlantirishga, o‘z shaxsini namoyon etish va qobiliyatini oshirishga qaratilgan bo‘lishi kerak.

Turli fanlar bo‘yicha o‘z-o‘zini baholash masalasini muvaffaqiyatli hal qilish uchun talabalarning mustaqil bilim olishlari muhim jihatga aylanadi. Talabaning mustaqil ta‘limini tashkil etishda o‘ziga xos fan xususiyatlarini, o‘zlashtirish darajasi va qobiliyatini hisobga olgan holda turli shakllardan foydalanish mumkin. Bu shakllarga qo‘shimcha adabiyotlardan foydalangan holda nazariy mavzularni mustaqil o‘zlashtirish, berilgan mavzu bo‘yicha kurs ishini tayyorlash, seminar va amaliy mashg‘ulotlarga tayyorgarlik ko‘rish, laboratoriya ishlari, hisob-grafik loyihani bajarish, malakaviy ishni tayyorlash, mavjud muammolar yechimini topish kiradi. amaliyotda maketlar, maketlar, namunalar yaratish hamda ilmiy maqolalar, konferensiya tezislari va shu kabi boshqa vazifalarni bajarish.

Mustaqil fikrlashni rivojlantirishda:

- mavjud materialni qismlarga bo'lish;
- kuzatilgan hodisalarning umumiy o'xshashligini asoslash;
- muayyan mavzuning asosiy mazmunini aniqlash;
- taqdim etilgan faktlarni xulosa qilish;
- faktlarni xarakteristikasi yoki ketma-ketligiga ko'ra tizimlashtirish;
- muammoning yangi, qo'shimcha yechimini topish;

Bilimlarni tizimli egallash uchun, o'rganilayotgan jarayondagi turli sabab va munosabatlarni aniqlash zarur tushuncha va qonuniyatlarni saralash ketma-ketlikni tartibga solish kerak bo'ladi:

- muayyan vaziyat va hodisalarning ketma-ketligini tushunish;
- o'qituvchining savollariga mustaqil javob berish;
- ilgari o'rganilgan va yangi ma'lumotlar o'rtasidagi farqlarni solishtirish;
- muayyan davr mobaynida kuzatilgan hodisaning borishini tushuntirish va asoslash;
- voqea va dalillar o'rtasidagi bog'liqlikni aniqlash kabi narsalarni bilishi kerak.

Talaba mustaqil ravishda:

- mavzu bo'yicha asosiy va ikkinchi darajali ma'lumotlarni ajratib olish;
- asosiy ma'lumotlarni mustaqil ko'rib chiqish;
- yangi ma'lumotlarni topish, sxemalar, jadvallar va grafiklarni tuzish bo'yicha o'tkazilgan amaliy seminar va treninglar bo'yicha taqdimot tayyorlash;
- mavzuga oid qo'shimcha materiallarni izlash asosida materialni o'rganish, asosiysini ajratib ko'rsatish, xulosa chiqarishni bilish kerak.

Nazariya va amaliyot o'rtasidagi bog'liqlikni aniqlashda amaliy mashg'ulotlar muhim ahamiyatga ega bo'lib, bu talabalardan amaliy ko'nikma va malaka talab qiladi. Bular, o'z navbatida, mustaqil ishlarda tashkil etiladi:

- o'tgan dars ma'lumotlari bilan bog'liq masalalarni yechish;
- model masalalardan farqli masalalarni yechish;
- boshqa fanlar bo'yicha axborot bilan bog'liq muammolarni izlash va ularning yechimini topish;
- nazariy qoidalardan foydalangan holda mustaqil yangi mashq va gaplar tuzish;
- boshqalardan farqli, yangi mavzuni tushuntirish, murakkab bo'lmagan ma'lumotlarni mustaqil o'rganish;



● bir nechta ma'lumotlarni solishtirish orqali ularning farq va o'xshashliklarini asoslash;

● xatolarni tuzatish va bartaraf etish ustida ishlash;

● material, sxema va jadvallarni tayyorlash;

● loyihalar ustida ishlash va darslarda ma'ruza yozish kabi mashqlar orqali amalga oshiriladi.

### **MUHOKAMA**

O'quv jarayonida samarali natija ko'pincha talabaning mustaqil ishlash qobiliyati bilan bog'liq. Kuchli iroda va mustaqillik ko'nikmalarini shakllantirib, o'quvchilar mustaqil tayyorgarlik ko'rish orqali darslarni samarali o'zlashtirishlari va yangi mavzular bo'yicha tushunchalarini mustahkamlashlari mumkin. Ijodiy mashqlar orqali mustaqil ishlash ko'nikmalarini egallash ham o'quv muvaffaqiyati uchun hal qiluvchi ahamiyatga ega.

O'z-o'zini baholash talabalar uchun mustaqil ishning muhim jihati hisoblanadi. O'quv topshiriqlarini uzluksiz, to'liq va tartibli bajarish, o'rganish odatini shakllantirishning kalitidir. Tabiatshunoslik bo'yicha o'quv materiallarini o'zlashtirishda qiyinchiliklarni yengib o'tishni, o'z oldiga qo'ygan maqsadiga mehnat va qat'iyat bilan erishishni o'rgangan o'quvchilar akademik muvaffaqiyatga erishadi. Muammoni hal qilishning turli yo'llari va usullarini aniqlash, shuningdek, o'quvchilarning yanada ishonchli va samarali o'quvchilar bo'lishiga yordam beradigan qimmatli mahoratdir.

O'z-o'zini baholashda talabalar o'zlashtirilgan materiallarni turli muammoli vaziyatlar, mashqlarni yechish, dars mavzusi ustida ishlash, atrof-dagi voqealarga tanqidiy baho berish orqali amalga oshirilishi mumkin. Bunday usullar orqali keyingi faoliyat uchun muhimdir. Talabalarning bunday faoliyati:

- chet tilini o'rganish, yangi ma'lumotlar bilan tanishishda mustaqil ravishda sxema va chizmalar yaratish;

- ingliz tili darslarida adabiyot va atrof-muhitdan materiallar to'plash;

- til o'rganayotganda atrof-dagi hodisa va faktlarni o'rganish;

- muammoni manbalar yordamida asoslash;

- materialning xususiyatiga qarab guruhlariga ajratish va fikr yuritishga tayyorlash kabi vazifalarni bajarishni talab qiladi.

- o'quvchida fanga mehr, ongli intizom, mehnatga, o'qishga qiziqish tarbiyalanadi;



- o‘quvchining aqliy qobiliyatlari: fikrlash, diqqat va xotira rivojlanadi, o‘zlashtirilgan bilim va ko‘nikmalar mustahkamlanadi;

- talaba olgan bilimlarini amaliyotda qo‘llashni o‘rganadi. Uning faolligi, mustaqil fikrlashi, tadbirkorligi, tashabbuskorligi, ijodkorligi shakllanadi;

- o‘quvchining ilmiy, madaniy, siyosiy, axloqiy va ma‘naviy jihatdan kamol topishiga yordam beradigan ijtimoiy foydali fazilatlari rivojlanadi.

O‘quvchilarning mustaqil fikrlash, o‘z-o‘zini anglash, bilish qobiliyatlari, iroda kuchi, hissiy aql-zakovatini rivojlantirish ularning mustaqil va ijodiy faoliyat bilan shug‘ullanishiga imkon beruvchi ko‘nikmalarni egallashiga yordam beradi, shu orqali ijtimoiy foydali natijalarni yaratishga xizmat qiladi. Ingliz tili o‘rganish jarayonida o‘z-o‘zini baholashda ushbu jihatlarga alohida e‘tibor qaratish o‘quvchilarning diqqatini jamlash, mustaqillik va mas‘uliyat hissini kuchaytirishi, berilgan topshiriqlarni bajarishga ijobiy munosabatda bo‘lishiga olib keladi. O‘quvchilarning mustaqil faoliyatga jalb etilishini ta‘minlash uchun ularning o‘ziga xos individual xususiyatlari, fanga munosabati, kognitiv qobiliyatlari, ijodkorligi, mustaqil bilim olish ko‘nikmalari kabi omillarni hisobga olish maqsadga muvofiqdir. Qolaversa, o‘quvchilarni o‘z ishiga ijodiy yondoshishga, ilmiy faoliyat bilan mustaqil shug‘ullanishga undash ularning fanga oid bilim, ko‘nikma va malakalarni egallashiga, mustaqil ishlashga qiziqishini oshirishga yordam beradi. Nihoyat, o‘quvchilarning tashabbuskorligi, ijodkorligi va boshqa tegishli omillarni baholash ularning o‘zini o‘zi boshqaradigan va o‘ziga ishongan o‘quvchilar bo‘lib yetishishiga yordam beradi.

Ingliz tilini o‘rganish jarayonida o‘z-o‘zini baholashni tashkil etish orqali dars o‘tayotganda o‘qituvchi o‘quvchilarning mustaqil faoliyati haqida to‘liq tasavvurga ega bo‘lishi, xususan, ularning psixologik tomonlarini bilishi kerak. Ularning temperamentini hisobga olgan holda iqtidorli va sust o‘quvchilar bilan sifatli ish olib borish muhim ahamiyatga ega. Ta‘kidlash joizki, o‘quvchilarni o‘z-o‘zini baholashga undashning mohiyati ko‘p jihatdan ularning mustaqil ishlarini to‘g‘ri tashkil etish va amalga oshirishga bog‘liq. Ingliz tilida berilgan topshiriqlarni mustaqil bajara olishlari, sinf topshiriqlari, tarqatma materiallar, kompyuter va ijodiy ishlarda mustaqil ishlashlari ularning bu boradagi rivojlanishini ta‘minlashga keng yo‘l ochadi. Har qanday mustaqil fikr mustaqil bilimdan tug‘ilganidek, har qanday chuqur bilim faqat mustaqil o‘rganish orqali erishiladi. Har bir o‘quvchining





kasb egasi bo‘lishi uchun uning erkin va mustaqil mehnati, kuchi, mehnatsevarligi muhim ahamiyatga ega.

### XULOSA

Yuqorida aytib o‘tilganlardan ko‘rinib turibdiki, o‘z-o‘zini baholash ko‘nikmasini individual jarayonida paydo bo‘ladigan muammo va masalalarni samarali hal etish bo‘lib xizmat qiladi. Bu esa, o‘z navbatida, malakali kadrlarning faol ishtirok etishiga imkon yaratib, fan va ishlab chiqarish rivojiga olib keladi. Bunga erishish uchun o‘z-o‘zini baholash ko‘nikmalarini rivojlantirish, tegishli mazmun, shakl va vositalarni aniqlash, shuningdek, ingliz tilini o‘qitishning pedagogik va psixologik asoslarini yaratish juda muhimdir. Bundan tashqari, bunday baholashning ijtimoiy-iqtisodiy ahamiyatini tan olish va rivojlangan mamlakatlarda qo‘llanilganidek, talabalarga individual yondashuvni qo‘llash zarur. Shunday qilib, ilg‘or tajribalar asosida o‘z-o‘zini baholash bo‘yicha ilmiy-uslubiy tavsiyalarni o‘rganish, umumlashtirish va ishlab chiqish davr talabidir. Shu sababli, kelajakda ijobiy natijalarni ta‘minlash uchun o‘z-o‘zini baholash sifati va samaradorligini oshirishga e‘tibor qaratish tavsiya etiladi.

### ADABIYOTLAR RO‘YHATI

1. Aripovna, R. S. (2023). Crucial Specific Features of Self-Assessment and Self-Regulation in English Language Teaching Classes. *Pindus Journal of Culture, Literature, and ELT*, 3(11), 1–4. Retrieved from <https://literature.academicjournal.io/index.php/literature/article/view/835>
2. Rustamova, S. A., & Juraeva, S. D. qizi. (2023). Technology’s impact on the education process. *Educational Research in Universal Sciences*, 2(11), 130–134. Retrieved from <http://erus.uz/index.php/er/article/view/4821>
3. Bozorova, H., & Shaxnoza, R. . (2023). The importance of assessment, and its impact in learning process. *Молодые ученые*, 1(6), 90–94. извлечено от <https://in-academy.uz/index.php/yo/article/view/16439> (Original work published 5 июнь 2023 г.)4.
4. Rustamova, S., & Mavlonova, S. (2023). ‘The role of multimedia tools in the educational process’. *Бюллетень студентов нового Узбекистана*, 1(5 Part 2), 63–66. извлечено от <https://in-academy.uz/index.php/yota/article/view/14795>



5. Crucial Specific Features of Self-Assessment and Self-Regulation in English Language Teaching Classes SA Rustamova - PINDUS Journal of Culture, Literature, and ELT, 2023

6. CHET TILI O'QITISH BO'YICHA BOSHLANG'ICH SINFI O'QUVCHILARINING O'ZO'ZINI VAHOLANISH KOMPETENSIYASINI SHAKLLANTIRISH ША Рустамова, ЧС Асадова, МР Бобоёрова - МЕЖДУНАРОДНЫЙ ЖУРНАЛ ИСКУССТВО СЛОВА, 2022

7. [Модификации фразеологического значения как дискуссионная проблема современной лингвистики](#) НШ Амриддинова, Август 2020 7-қисм, Тошкент

8. Preservation of Originality in the Translation of Emotional Sentences in the Speech of the Hero of the Work of Art A Chekhrangiz - Central Asian Journal of Literature, Philosophy and ..., 2023

9. Xorijiy tillarni o'rganishda yosh davriga xos xususiyatlar Ч Асадова - Анализ актуальных проблем, инноваций, традиций ..., 2022

10. “Some aspects of correlation in semantic actualization of phraseological units” NS Amriddinova - MODERN VIEWS AND RESEARCH, 2020 [https://journals.uz/wp-content/uploads/2020/08/conf\\_19\\_2020/7.Filologiya\\_fanlarini\\_rivojlantirish\\_yulidagi\\_tadkikotlar\\_1\\_qism.pdf#page=123](https://journals.uz/wp-content/uploads/2020/08/conf_19_2020/7.Filologiya_fanlarini_rivojlantirish_yulidagi_tadkikotlar_1_qism.pdf#page=123)

---

# Research Science and Innovation House



## Tuproqqal’a imkoniyatlar poydevori

**Urazbayev Nematjan Rustamovich**

Tuproqqal’a tumani hokimligi tashkiliy-kadrlar guruhi rahbari.

**Yo’ldasheva Mashhura Jo’rabek qizi**

Alfraganus universiteti Iqtisodiyot tarmoqlari va sohalari fakulteti 2-bosqich talabasi

**Annotatsiya.** Mazkur tezis Tuproqqal’a tumanining tashkil topishi to’g’risida. Xorazm viloyatining chekka bir qishlog’ida yangi tumanning tashkil etilishi qishloq aholisiga yanada ko’proq e’tibor berilishiga juda katta turtki bo’ldi. Ayniqsa, tuman yoshlari uchun yanayam ko’proq imkoniyat eshiklari ochildi. Tumandagi mas’ul xodimlar va tuman hokimligi tomonidan nazorat qilinayotgan boshqarmalar va yoshlarga mas’ul xodimlar o’z kasbiga fidokorona yondashgani va mas’uliyatni chuqur bo’yniga olib qilayotgan ishlari tahsinga loyiq. Yoshlarning bo’sh vaqtlarini mazmunli o’tkazish maqsadida ko’plab o’quv maskanlari ochildi. Yoshlarning bandligini ta’minlash uchun yoshlar tadbirkorligiga katta e’tibor qaratildi.

**Kalit so’zlar.** Yoshlar, yangilanish, imkoniyat, innovatsiya, bilim, tadbirkor, maktab, bog’cha, aholi, iqtisodiy zona, tuman, hokimligi, xodimlar, rivojlanish.

**Абстрактный.** Это диссертация посвящена созданию района Тупроккала. Создание нового района в отдаленном селе Хорезмской области стало большим стимулом уделять больше внимания сельчанам. Специально для молодежи района открылись двери новых возможностей. Похвально, что ответственные работники района и подконтрольных районным властям отделов, ответственные за молодежь самоотверженно подходят к своей профессии и глубоко берут на себя ответственность. Открыто много образовательных центров для молодежи и молодежи. Молодых людей смогли провести время с пользой. Большое внимание было уделено молодежному предпринимательству.

**Ключевые слова.** Молодежь, обновление, возможности, инновации, знания, предприниматель, школа, детский сад, население, экономическая зона, район, власть, сотрудники, развитие.



**Abstract.** This thesis is about the establishment of Tuproqkala district. The establishment of a new district in a remote village of Khorezm region was a great impetus to pay more attention to the villagers. Especially for the youth of the district, the doors of more opportunities have been opened. It is commendable that the responsible officials of the district and the departments under the control of the district authorities and the officials responsible for the youth are selflessly approaching their profession and taking responsibility deeply. Many educational centers have been opened for young people and youth. A lot of young people have been provided with meaningful spending of their time. Great attention was paid to youth entrepreneurship.

**Key words.** Youth, renewal, opportunity, innovation, knowledge, entrepreneur, school, kindergarten, population, economic zone, district, authorities, employees, development.

**Kirish.** Tuproqqal'a tumanining nomi Xorazmdagi Tuproqqal'a qal'alarining nomi bilan bog'liq. Xorazm vohasida 7 ta qal'a Tuproqqal'a nomi bilan ataladi. Tuman hududida qadimdan Tuproqqal'a deb nomlangan qal'a xarobalari mavjud. Qal'a miloddan avvalgi IV-III asrlarga oid. Tuproqqal'a so'zining ma'nosi tuproq va suv aralashmasidan devor qilingan bino, qal'a degan ma'noni anglatadi.

2020-yil 23-mart kuni O'zbekiston Respublikasi Oliy Majlisi Qonunchilik palatasining navbatdagi yig'ilishida bir qator deputatlar Xorazm viloyati tarkibidagi Hozorasp tumani chegaralarini o'zgartirish va shuning asosida Tuproqqal'a tumanini tashkil etish to'g'risidagi masalani ko'tarib chiqdilar. Deputatlar yangi tuman tashkil etilishi hududda qishloq xo'jaligi, ayniqsa, chorvachilikni rivojlantirishga, hududni ijtimoiy-iqtisodiy jihatdan taraqqiy ettirishga va aholi bandligini ta'minlashga ijobiy ta'sir ko'rsatishini ta'kidlaganlar.

Tashkil topgan sana – 2020-yil 24-mart.

Maydoni – 1, 60 ming kv.km.

Hozorasp tumani, Buxoro viloyati Qoraqalpog'iston va Turkmaniston respublikalari bilan chegaradosh.

Aholi soni – 59, 304 kishi (o'rtacha)

Mahalla fuqarolar yig'inlari soni – 18 ta

Xonadonlar soni – 14, 2 ming ta. Oilalar soni – 14, 7 ming ta.

Milliy tarkibi: o'zbeklar – 55707 nafar, turkmanlar – 658 nafar, qozoqlar – 229 nafar, ruslar – 602 nafar, boshqa millat vakillari – 2108 nafar.



Tuman iqtisodiyoti: chorvachilik, mashinasozlik oziq – ovqat sanoati, tekstil va to‘qimachilik sanoati, qurilish materiallari ishlab chiqarish sohalariga ixtisoslashgan.

Mahallalar: Hazorasp tumanining Tuproqqal’a maskani va Pitnak shahri hududlari alohida ajratilib, Tuproqqal’a tumani tashkil etilgach, quyidagi 15 mahalla yangi tuman tarkibiga qo‘shildi.

Pitnak shahri hududidagi mahallar:

1. Saxovat
2. Muhabbat
3. Navbahor
4. Obod
5. Yo‘ldosh Oxunboboyev
6. Pastom
7. Saidlar
8. Sayopir
9. Yoshlik
10. Sharlauq
11. Shayxlar.

Tuproqqal’a maskani hududidagi mahallar:

1. Hazorasp
2. Nukus maskani
3. Sarimoy
4. Tuproqqal’a maskani.

Mustaqilligimizning 30 yilligi arafasida Prezidentimiz Shavkat Mirziyoyevning tashabbuslari bilan Xorazm viloyatida yangi tuman tashkil topdi va biz yoshlar uchun ko‘plab o‘zgarishlar kiritilib, tumanimizga ko‘p e’tibor ajratilib, tadbirkorlar mehnati qadrlandi va ularga ko‘plab imkoniyat eshiklari ochildi hamda yoshlar bo‘sh vaqtini mazmunli o‘tkazishi maqsadida to‘garaklarga jalb qilindi.

Yurtboshimiz Shavkat Mirziyoyevning biz yoshlarga qaratgan katta e’tiborlari Xorazm viloyatida bitta tuman tashkil etilishi haqidagi qarori chekka qishloq aholisi hamda yoshlari uchun juda katta oltin kalit bo‘lib xizmat qildi deb biz yoshlar shijoat bilan ayta olamiz. Tumanimiz hokimi sa’y-harakatlari va tumandagi barcha mas’ul xodimlar o‘z kasbiga va lavozimiga mas’uliyatli yondashganligi yoshlar bilan alohida shug‘ullanib har bittamizning fikrimizni o‘rganib chiqib biz yoshlarga katta

e'tibor ajratayotgani va hamma sharoitlarni yaratib berib har bitta yosh bilan alohida shug'ullanish biz yoshlarga katta ko'tarinki ruh baxshida etib, Vatanga bo'lgan muhabbatimiz va sadoqatimiz yanada yuksalishiga katta turtki bo'lmoqda.

Tumandagi barcha idora-tashkilot mas'ul xodimlari yoshlarning o'z vaqtlarini mazmunli va foydali o'tkazishlari uchun ko'plab sport mashg'ulotlari, sayyor darslar va turli fanlardan to'garaklar bilan yoshlar band qilib qo'yilgan.

Bizning davlatimizda yoshlarga imkoniyat yildan yilga oshib bormoqda desak mubolag'a bo'lmaydi.

Chunonchi, qaysi tarmoq, qaysi yo'nalish bo'lmasin barcha sharoitlar mujassam. IT sohasini o'rganish, xorijiy tillar sohasini o'rganish bo'yichami, umuman olganda barcha tarmoqlarda imkoniyatlar mavjud. Biz yoshlardan talab qilinadigan narsa, faqatgina, shu imkoniyatlardan oqilona foydalanishimiz va kelajakda yurt ravnaqiga o'z hissamizni qo'shishimiz lozimligidir. Bunday imkoniyatlar bizning tuman yoshlari uchun ham ko'plab imkoniyat eshiklari keng ochib qo'yilgan. Har bitta yoshning oilaviy ahvoli va moddiyatidan qat'i nazar, fikrlari eshitilib, o'qish uchun hamma sharoitlar yaratib berilmoqda. Ayniqsa, yoshlar tadbirkorligini qo'llab-quvvatlash foizsiz va kam foizli kreditlar katta miqdorda ajratilmoqda.

Bugungi kunda tumanimizda ijtimoiy himoyaga muhtoj va moddiy tomonlama muammolari mavjud yoshlar “Yoshlar daftari”, kam ta'minlangan oila farzandlari “Temir daftar”da ro'yxatda turadigan yoshlar yurtboshimiz tashabbusi hamda tumandagi mas'ul xodimlar tomonidan ro'yxatga olinib, ularning o'qishi va ishlashi uchun ko'plab imkoniyatlar yaratib berilmoqda.

Mana shunday rag'batlantirishlar biz yoshlarga katta shijoat bag'ishlaydi, maqsadlari sari dadil qadam tashlashimizga ko'maklashadi. Biz yoshlarga Vatanga muhabbatli bo'lishimiz uchun ko'tarinki ruh bag'ishlaydi. Albatta, bu imkoniyatlardan oqilona foydalanishimiz, yurtimiz ravnaqi, rivojlanishi uchun o'z hissamizni qo'shishimiz zarur. Zero, har bir inson tug'ildimi, shu yurt uchun, Vatanining ravnaqi uchun o'z hissasini qo'shishi lozim.

Tuproqqal'a tumani katta iqtisodiy zonaga aylanib, ko'plab ishsiz aholi ish bilan ta'minlandi. Horizgi kunda ko'plab zavod va fabrikalar o'z ish faoliyatlarini olib bormoqdalar.

Dastlabki ma'lumotlarga asosan 2022-yilning yanvar-dekabr oylarida tumanda faoliyat ko'rsatayotgan sanoat korxonalarini tomonidan 9458,5 mlrd. so'mlik sanoat



mahsulotlari ishlab chiqarilishiga erishildi va o'tgan yilning mos davriga nisbatan o'sish sur'ati indeksi 114,3 % ni tashkil etdi. Hisobot yilida 7566,6 mlrd. so'mlik iste'mol tovarlari ishlab chiqarilib, 2022-yil yanvar-dekabr oylariga nisbatan 127,9 foizni tashkil etdi. Jumladan, 2092,4 mlrd.so'mlik oziq-ovqat va 5474,2 nooziq-ovqat mahsulotlari ishlab chiqarilib, o'tgan 2022 – yilning yanvar – dekabr oylariga nisbatan mos ravishda o'sish sur'ati 121,4 foiz va 130,6 foizni hamda jami iste'mol mahsulotlari ishlab chiqarishdagi ulushi 27,7 foiz va 72,3 foizni tashkil qildi.

Sanoat ishlab chiqarishda kichik biznesning hissasi. Bugungi kunda kichik biznes va xususiy tadbirkorlik mamlakatimiz ichki bozorini tovar va xizmatlar bilan ta'minlashda, aholi bandligi va haqiqiy daromadlarini oshirishda, resurslarni oqilona taqsimlash va ulardan samarali foydalanishda, ijtimoiy guruhlar daromadlarining nomutanosibligini kamaytirishda, iqtisodiyotning turli tarmoqlari o'rtasidagi o'zaro aloqalarni yaxshilashda katta ahamiyatga ega bo'lib, islohotlarni chuqurlashtirishning asosiy katalizatori hisoblanadi. Kichik biznes va xususiy tadbirkorlik subyektlari bozor konyunkturasi o'zgarishlariga ham, iste'molchi talabi o'zgarishlariga ham tez moslashishga qodir bo'lib, iste'mol bozoridagi muvozanatni ushlab turishda muhim rol o'ynaydi. Shuningdek, raqobat muhitining shakllanishiga xizmat qiladi. 2022-yilning yanvar-dekabr oylarida tumanda 9458,5 mlrd. so'mlik sanoat mahsuloti ishlab chiqarilishi amalga oshirilgan bo'lib, shundan 251,5 mlrd.so'm yoki umumiy hajmning 2,7 % ni kichik biznes subyektlari tomonidan ishlab chiqarilgan sanoat mahsuloti tashkil qilganligini ko'rishimiz mumkin. Sanoat mahsuloti ishlab chiqarishning tarkibi (mlrd. so'mda). Davlat va xususiy sektorning o'zaro munosabati mamlakatdagi ijtimoiy-iqtisodiy barqaror vaziyatni ta'minlashda xususiy biznesning manfaatdorligini oshirishda katta xizmat qiladi. O'z navbatida, mamlakatimizda davlat tasarrufidan chiqarish va xususiylashtirish borasida olib borilayotgan islohotlar natijasi o'laroq tumanda sanoat mahsulotlari ishlab chiqarish hajmida nodavlat sektorning ulushi salmoqli ekanligini ko'rish mumkin. Tarmoq korxonalari tomonidan 2022-yilning yanvar-dekabr oylarida 7045,6 mlrd. so'mlik mahsulotlar ishlab chiqarildi.

Tuproqqal'a tumanining ijtimoiy – iqtisodiy ko'rsatkichlari.	
Maktablar – 21 ta MTM – 44 ta Kutubxonalar – 1 ta Sog'liqni saqlash muassasalari – 11 ta Masjidlar – 5 ta	Yangi ish o'rinlari – 13,8 ming ta Ishsizlik darajasi – 6,8 % Xorijga ishlashga ketganlar – 4 500 ta Ishsizlar – 2,1 ming kishi.
	Mahalliy byudjetga tushum – 90,4 mlrd.so'm.
Tabiiy gaz bilan ta'minlash darajasi – 99,4 %	Ichimlik suvi bilan ta'minlanish darajasi – 94,3 %.
Yirik sanoat korxonalar – 4 ta (TUYAMO'YIN GIDROELEKTROSTANSIYASI UK, “UZAUTO MOTORS” Xorazm filiali, XORAZM SHAKAR MCHJ, “NEW BEST STYLE” MCHJ)	Qo'shma korxonalar – 2 ta. Xorijiy korxonalar soni 3 ta kichik sanoat korxonalar – 185 ta. Hisobot davrida kichik biznes subyektlari soni – 13 taga ko'paygan.
Tuman sanoatida hududiy sanoatning ulushi – 54,3 % (11489,9 mlrd.so'm o'sish sur'ati – 105,3 % )	Xizmat ko'rsatishda ulushi – 2,1 %, (275,1 mlrd.so'm o'sish sur'ati – 110,1 %)
O'zlashtirilgan investitsiya mablag'lari – 514,5 mlrd.so'm.	Shu jumladan, xorijiy investitsiya va kreditlar – 72,1 mlrd.so'm.
Eksport hajmi – 15,9 mln.doll. (bajarilishi – 178,5 %) Import hajmi – 190,1 mln.doll. (bajarilishi – 92,4%)	Shu jumladan, sanoat mahsulotlari eksport rejasi – 14,2 mln.doll. Amalda – 15,9 mln.doll. (128%)
	Meva – sabzavot mahsulotlari eksport rejasi – 7,2 mln.doll. Amalda – 7,6 ming.doll. (1%)
Fermer, dehqon xo'jaliklari va tomorqa yer egalarini qo'llab- quvvatlash jamg'armasidan ajratilgan kreditlar 191,0 mln.so'm.	“Har bir oila – tadbirkor” dasturi asosida ajratilgan kreditlar – 26,6 mlrd.so'm.



### Qishloq xo‘jaligi ko‘rsatkichlari .

Qishloq xo‘jaligi yerlari – **160 000** ga, shu jumladan sug‘oriladigan yerlar – **104050** ga, paxta – **2800** ga, g‘alla – **1 500** ga, ko‘p yillik daraxtzorlar – **465** ga, yaylovlar – **100 789** ga, yerning o‘rtacha boniteti – **47** ball.

Paxtachilik – <b>10,1</b> ming tonna, rejaga nisbatan – ( <b>450</b> tonna) <b>104,7</b> % bajarilgan.	Paxtachilik – <b>10,1</b> ming tonna, rejaga nisbatan – ( <b>450</b> tonna) <b>104,7</b> % bajarilgan.
Chorvachilik – <b>21,5</b> ming bosh. 2022-yilga nisbatan – <b>0,3</b> ming boshga ko‘paygan ( <b>100,6</b> %).	Chorvachilik – <b>21,5</b> ming bosh. 2022-yilga nisbatan – <b>0,3</b> ming boshga ko‘paygan ( <b>100,6</b> %).

Bugungi kunda butun dunyoda sifatli oziq-ovqat mahsulotlarini tabiiy usulda yetishtirish va aholini ish bilan ta‘minlash dolzarb masalaga aylanmoqda.

Endilikda ekologiyaning yomonlashuvi va oziq-ovqat tanqisligini oldini olish va aholini ish bilan ta‘minlash maqsadida yerlarni o‘zlashtirish hamda qishloq xo‘jaligida hosildorlikni oshirish, aholini ish bilan ta‘minlash maqsadida tumanimizda ushbu jarayonlar qizg‘in davom etmoqda. Yangi yerlarni o‘zlashtirishda ishtirok etayotgan agroklastlar va fermerlar uchun subsidiya, katta miqdorda kreditlar ajratilib, yoqilg‘ini moylash ta‘minoti hamda suvni tejash bo‘yicha takliflar va loyihalar muntazam tinglab borilmoqda. Joriy yilda yurt boshimizning Xorazm viloyatiga tashrifi doirasida Tuproqqal’a tumanida 50 000 gektar yerlarni o‘zlashtirish rejalashtirilgan bo‘lib, bugungi kunda 352 gektar maydon o‘zlashtirilgan. 80 gektar maydonda ilk marotaba hosil olingan bo‘lib, ekin uchun o‘zlashtirilgan. 80 gektar yerlar auksionga qo‘yilib, tadbirkorlarga taqdim etildi.

Mazkur yerlarda oziq-ovqat va g‘alla ekinlari (sholi, bug‘doy) chorva mollari uchun ozuqa ekinlarini yetishtirish belgilandi. Shu maqsadda tumandagi 7 ta obyektida yangi yer ochish ishlari boshlanib, irrigatsiya va melioratsiya tarmoqlari qurildi. Hozirda suvni tejash maqsadida kanallarni betonlashtirish va zaxkashlar qurish ishlari amalga oshirilib, suv xavfini oldini olish maqsadida Amudaryo suv o‘zanining dambalarini mustahkamlash va betonlashtirish ishlari olib borilmoqda. Bundan tashqari tabiatni asrash uchun cho‘l hududiga saksovul o‘simligini ekish, ekin maydonlari chetlaridan samarali foydalanish maqsadida har bir kontur



chetlariga tut, uzum, olma va boshqa mevali hamda manzarali o'simliklar ekish yo'lga qo'yilgan.

**Xulosa.** Tuman yoshlariga katta e'tibor qaratilayotgani, qisqa vaqt ichida jadal sur'atlar bilan rivojlanish sur'ati qayd etilgan. Unda yoshlarni qo'llab-quvvatlash bo'yicha amalga oshirilayotgan turli tashabbus va dasturlar hamda bu sa'y-harakatlarning jamiyatga ijobiy ta'siri o'z kuchini ko'rsatmoqda. Maqolada, shuningdek, tumanda kuzatilayotgan ta'sirchan o'sishlar va taraqqiyotga hissa qo'shayotgan asosiy omillar ham bayon etilgan. Umuman olganda, u yoshlarga qaratilayotgan ulkan e'tibor va sarmoyani hamda qisqa vaqt ichida erishilgan ajoyib taraqqiyotni namoyish etishi bayon qilingan. Qisqa vaqt ichida tumandagi bunday o'zgarishlar maktab va bog'chalarning yangidan qurilishi va zamonaviy tarzda jihozlanishi, tuman markazidan 200 km uzoqlikda joylashgan aholi sog'ligini qayg'urgan holda malakali kadrlar olib kelinayotganligi tuproqqal'aliklar uchun ulkan qulayliklar tug'dirmoqda.

Kichik biznes va yakka tadbirkorlar uchun ham ko'plab imkoniyatlar yaratilib berilmoqda uydan chiqmagan holda aholini band qilish maqsadida chorvachilik, parrandachilik, baliqchilik, kabi ko'plab tarmoqlar yo'lga qo'yilmoqda. Xotin-qizlar bandligini ta'minlash maqsadida tuman hokimligi tomonidan ijtimoiy himoyadagi ayollarga bepul tarzda, tadbirkor ayollarga esa foizsiz kredit subsidiya asosida tikuv mashinalari olib berilmoqda. Aholiga bunday e'tibor qaratish har bitta inson va o'sib kelayotgan yosh qalbida Vatanga bo'lgan muhabbat, o'z kasbiga fidokorona xizmat qiladigan yoshlar yetishib chiqayotgani gavdalanadi.

Albatta, bunday imkoniyatlar yaratib berib, tumanimiz aholisi, shu jumladan biz yoshlarga katta e'tibor qaratayotgan yurt boshimiz Shavkat Miromonovich Mirziyoyevga o'z minnatdorchiligimizni bildirib qolamiz.

#### Foydalanilgan adabiyotlar:

1. Tuproqqal'a tumanining asosiy statistik axborotnomasi.
2. 2022-yilning yanvar-dekabr oylarida iste'mol tovarlari ishlab chiqarish ulushi, foizi.
3. Tuproqqal'a qishloq xo'jaligida ulkan islohotlar [HD sifatda ko'rish](#) @tuproqqala\_uz Tuproqqal'a hokimligi axboroti.
4. Tuproqqal'a tumani pasporti ko'rsatkichlari (2023-yil yanvar-dekabr).





## BOLANING IJODIY FIKRLASHIDA MAKTABGACHA TA'LIM TASHKILOTI TARBIYACHILARINING OILA BILAN HAMKORLIGI

**Urganch davlat pedagogika instituti o'qituvchisi: Axmedova Gulnoza**

**Urganch davlat pedagogika instituti talabasi: Aminova Mahliyo**

**Annotasiya:** Ushbu maqolada bola tarbiyasida oila va jamiyatning o'rnini, unga ta'sir qiluvchi yot g'oyalar, bolalar uchun ochilgan kutubxona, hamda bola tarbiyasi haqida Imom G'azzoliyning fikri keltirib o'tilgan.

**Kalit so'zlar:** Oila, jamiyat, farzand, mamlakat, odob, axloq, mahalla, ibrat, maqol, ommaviy madaniyat, kitobxonlik.

**Abstract:** This article is about the role of the family and society in child education, and the fact that we ourselves bring foreign ideas that influence it into the child's life. The library opened for children and Imam Ghazali's opinion about child education are cited.

**Key words:** Family, society, child, country, manners, morals, neighborhood, lesson, proverb, public culture, reading.

**Аннотация:** Данная статья посвящена роли семьи и общества в воспитании детей, а также тому, что мы сами привносим в жизнь ребенка чужие идеи, влияющие на это. Приводятся открытая для детей библиотека и мнение Имама Газали об образовании детей.

**Ключевые слова:** Семья, общество, ребенок, страна, нравы, нравы, соседство, урок, пословица, общественная культура, чтение.

Oila-jamiyatning tayanchi. Jamiyatning kichik bir bo'lagi. Farzandlarimiz ongida el-u yurtga, Vatanga muhabbat tuyg'ulari oilada, yashab turgan mahallada shakllanadi. Mamlakatning ertangi kuni, tinch va obod bo'lishi eng oldin mana shu kichik jamiyatda o'sib-unayotgan bolalarimizga bog'liq. Qaysi oilada, qaysi mahallada tarbiya yaxshi yo'lga qo'yilar ekan, o'sha oila, o'sha mahalla gullab-yashnaydi.

Farzand tarbiyasini qachondan boshlamoq kerak?, degan savol ko'pchilikni o'ylantiradi. Ko'pchilik olimlar unga turlicha javob berib kelganlar. Xususan, Ibn Sino bola tarbiyasi bilan uning tug'ilishidan avvalroq, ona qornidan boshlab shug'ullanish lozim, deb javob bergan.



Oila, odob-axloq va ta'lim-tarbiyaga e'tibor qon-qonimizga singib ketgan burchlarimizdandir. “Bir bolaga yetti qo'shni ota-ona” degan ibratli maqol ham aynan xalqimizga xos. Mana shu maqolning o'zi ham farzand tarbiyasi, oilaparvarlik biz uchun nechog'lik muhim ekanini bildiradi. Mahalla ahli, ayniqsa keksalar ko'chada nobop ish qilayotgan bola oldidan hech qachon beparvo o'tib ketmagan, shu zahotiy oq tanbeh berib to'g'ri yo'lga chaqirgan. Zero, har tomonlama chiroyli, odobli, go'zal xulqli bo'lish, nafsni poklashga buyuruvchi muqaddas dinimiz oilaga katta ahamiyat beradi.

Oiladagi muhit ota-ona o'z ma'suliyatlarini his qilishi bilan barqaror bo'ladi. Bolalarning odobli bo'lib ulg'ayishi uchun ota-ona bilan bir qatorda mahalla-kuy ham katta ibrat maktabidir. “Qush uyasida ko'rganini qiladi” deb bejiz aytmagan xalqimiz. Farzand tarbiyalayotgan ota-ona har bir harakati, yurish turishi, muomalasi, boshqalar bilan o'zaro munosabatida olijanob fazilatlarini namoyon etishi kerak. Chunki bola tabiatan nihoyatda taqlidchan va kuzatuvchan bo'ladi. Shuning uchun uning atrofdagilari o'z odatlari bilan ba'zan o'zlari sezmaganda holda ularga ta'sir qiladilar. Oiladagi qo'pol munosabatlar, ko'p yolg'on gapirish, yoqimsiz xatti-harakat bola tarbiyasiga salbiy ta'sir qiladigan nosog'lom muhitni keltirib chiqaradi. Farzand tarbiyasida ota-onaning muomalasi muhim o'rin tutadi. Bola ota-ona tomonidan qo'pol, dag'al so'zlar eshitib, kaltak yeb katta bo'lsa, bu uning tabiatiga salbiy ta'sir qiladi. Bu esa o'z navbatida oiladagi nosog'lom muhitda tarbiyalanayotgan boladan “ma'naviy kasal” insonlar shakllanadi. Ular esa jamiyat ma'naviyatiga ham salbiy ta'sir ko'rsatadi. Oilada ota-onalar “ommaviy madaniyat” ta'siriga berilib ketishi oqibatida farzandlarning tarbiyasiga ham salbiy ta'sir ko'rsatmoqda.

Hozirgi kunda O'zbekiston Respublikasi maktabgacha ta'lim vazirligi tasarrufidagi maktabgacha ta'lim tashkilotlarida bolalarni sifatli maktab ta'limiga tayyorlashga alohida e'tibor qaratilmoqda. Buning isboti o'laroq 2018-yilda maktabgacha ta'lim sohasida bolalar qamrovi 34,4% ni tashkil etgan bo'lsa, bu ko'rsatkich 2019-yil yarim yilligi yakunida 40,5% ni tashkil etdi. Bu albatta davlat rahbarining maktabgacha ta'lim sohasida chiqarayotgan qarorlari va e'tiborlari natijasidir. Shu o'rinda haqli bir savol tug'iladi.

Qanday qilib ta'lim jarayonini mushkullikdan quvonchli jarayonga aylantirsa bo'ladi? Shuni aytib o'tish joizki, sifatli ta'lim birinchi navbatda ta'lim beruvchi tarbiyachi, pedagogning kasbiy mahoratiga bog'liqdir. Albatta mashg'ulotlar





tarkibiga yangiliklarni kiritish, ilg'or ish uslublari va metodlarni qo'llash ta'lim sifatini oshirishga olib keladi. Bu esa o'z o'rnida pedagogdan kasbiy mahorat talab etadi. Barchamizga ma'lumki, bola uchun birinchi va eng mukammal tarbiyachi bu ota-onadir. Shunday ekan, oila bilan hamkorlik masalalari, ayniqsa bola tarbiyasida otalar o'zni muhimligiga alohida e'tibor qaratish lozim. Bola tarbiyasida oilaning o'zni beqiyos.

Oila bolaga qattiq ta'sir ko'rsatadi, uni atrofdagi hayotga moslaydi. Jamiyatda esa tarbiya faqat ota-onaning shaxsiy ishigina bo'lib qolmasdan, balki ularning ijtimoiy burchi hamdir. Ota-onalarni tashkiliy ishlarga jalb etish masalan, yumshoq o'yinchoq tayyorlash, suv va qum bilan o'ynashi uchun o'yinchoqlar yasash, maydonchalarni ko'kalamzorlashtirish uchun jihozlar tayyorlash muhim tadbirlardir. Bunday tanlovlar tarbiyachining yillik ish rejasida o'z aksini topgan bo'lishi kerak. Tanlov shartlarini umumiy ota-onalar yig'ilishlarida muhokama qilish va ma'qullab olish kerak. Faol ishtirokchi ota-onalarga tashakkurnoma e'lon qilish, bu borada buvi-yu, bobolarning ham maslahatlariga quloq tutmoq lozim. Maktabgacha ta'lim tashkilotining oila bilan ishlash tizimida aniq maqsad mazmun bo'lishi kerak. Ota-onalar bilan hamkorlik borasida avvalo erishilgan yutuq va tajribalarning natijalarini tahlil qilib, bolaning ijobiy tomonlarini ko'rsatib, keyin asta-sekinlik bilan ularning xulq-atvoridagi salbiy holatlarni bartaraf etishga, tevarakatrofga qiziqishlarini oshirib borishga astoydil harakat qilish lozimligini uqtirish kerak. Ota-onalarni maktabgacha ta'limga jalb etish maqsadida turli xil to'garaklar, tadbirlar, davra suhbatlari, savol-javob kechalari, guruh va umumiy ota-onalar yig'ilishlari, ochiq eshiklar kunini tashkil etish diqqatga sazovor holatlardir.

Tarbiyachi bolalarda tafakkur faoliyatini tarkib toptirishi, bu hodisalarni, voqealarni chuqur anglab olish, ularning muhim bo'lgan va muhim bo'lmagan tomonlarini ajratishga o'rgatishi lozim. Maktabgacha Ta'lim Tashkiloti o'z navbatida ota-onalar bilan hamkorlikni yo'lga qo'yishganlar. Bu esa bola tarbiyasida oila bilan hamkorlikning eng samarali usullaridan biridir. Bolalar bog'chasi va oila o'rtasida hamkorlik o'rnatishda direktor, pedagoglar jamoasi va ota-onalar birgalikda faol ishtirok etishlari lozim. Tarbiyachi bolaning uyiga tekshiruvchi sifatida emas, balki do'st, bola tarbiyasidek murakkab ishda yordam beruvchi sifatida borishi, oila a'zolari bilan nazokat va xushmuomalalik bilan munosabatda bo'lishi kerak. Tarbiyachi har bir oilaga borishidan avval o'z oldiga aniq maqsad



qo'yishi, qaysi mavzuda suhbatlashishini oldindan belgilab olishi lozim. Ota-onalarga beriladigan savollar puxta o'ylangan bo'lishi kerak. Suhbat shunday tuzilishi kerakki, tarbiyachi bilan ota-ona birbirlarini yaxshi tushunishlari, ular o'rtasida ishonchli aloqa o'rnatilishi darkor.

Shundagina bola tarbiyasida kutilgan natijalarga erishish mumkin. Ota-onalar bilan olib boriladigan ishlarning mazmuni rang- barang bo'lib, unda ayrim masalalar birgalikda muhokama qilinishi taqozo etiladi.

Bu masalalarni jamoa bo'lib muhokama qilish uchun ota-onalarning guruhi va umumiy majlislari, maslahatlar, konferensiyalar, ota-onalar kechalari kabi ish shakllari jamoa ish shakllariga kiradi. Tarbiyachilar bola tarbiyasini shakllantirishda oila tarbiyasiga chambarchas bog'laydilar. Maktabga borish bola hayotidagi jiddiy o'zgarishlar davri hisoblanadi. Mazkur davr bilan bolaning rivojlanishida yangi bosqich boshlanadi. Bolaning oldingilardan farq qiladigan faoliyat shakllarini o'rganishiga to'g'ri keladi. Kattalar va tengdoshlar bilan munosabatlarning boshqa uslubini o'rnatish, fiziologik jihatdan o'zgarishi ham talab etiladi. Xo'sh, maktabgacha ta'lim yoshidagi bolaning tayyorgarligi qanday bo'lishi kerak degan muhim savol yuzaga keladi. Bolalarni maktabga muvoffaqiyatli o'qishi uchun ularni fanlar bo'yicha mazmunli tayyorgarligi muhim emas. Chunki uni haddan ziyod yuklatish o'qishga bo'lgan xohishni susayishiga olib keladi. Asosiysi, uni psixologik jihatdan maktabga tayyorgarligi, bilishga qiziqishi, o'zini nazorat qila olish malakalarini, kommunikativ va ijodiy qobiliyatlarini, nutqini, xotirasini, diqqatini, tafakkurini rivojlanishining ma'lum darajasini shakllantirish lozimdir. Ko'rib turibmizki, bolalarni maktabga tayyorlash katta yoki tayyorlov guruhlarida emas, balki uning maktabgacha ta'lim muassasasiga kelgan kunidanoq boshlanishi lozim.

Agar aniqroq aytadigan bo'lsak, uni oldinroq ham boshlash lozim. Chunki bolaning diqqati, qiziquvchan va ba'zi bir topshiriqlarni mustaqil qilishi qiyin bo'lganidek, uni qisqa muddat ichida birgalikda qandaydir vazifalarni yechishga, kelishishga o'rgatish ham mushkul bir vazifadir.

Xulosa qilib aytganda, bola tarbiyasida maktabgacha ta'lim, Oila va Jamiyatning ham birdek xissasi bordir. Chunki bola oilada ilk bor ta'lim- tarbiya olsa, uni maktabgacha ta'limda yanada shakllantiradi, mustahkamlaydi va qisqa tushuntirish, nasihat yoki o'yinlar orqali tarbiya elementlarini egallaydi. Egallagan tarbiyani esa albatta jamiyat va o'zaro munosabatlarda qo'llaydi. Bu esa bola tarbiyasining asosi hisoblanadi. Bolani maktab ta'limiga tayyorlashda MTT,





maktab, oila hamkorligi to‘g‘ri yo‘lga qo‘yilsa, ta‘lim tarbiya sifati va samaradorligiga erishish va oldimizga qo‘ygan maqsadni amalga oshirishda muhim ahamiyat kasb etadi.

#### Foydalanilgan adabiyotlar:

1. O.U. Hasanboyeva, M.X. Tojiyeva, Sh.K. Toshpo‘latova va boshq. Maktabgacha ta‘lim pedagogikasi. Pedagogika kollejlari uchun o‘quv qo‘llanma. (To‘ldirilgan va qayta ishlangan 2-nashri) . T.: «ILM ZIYO», 2011. — 184 b
2. O‘.Otavaliyeva. Bola tarbiyasida bog‘cha va oila hamkorligi. T.:1994-y.
3. Z.G‘ofurov, S.Toshev. Ma‘naviyat saboqlari. Qarshi. 1999-y.
4. MTTda qisqa muddatli guruhlar faoliyatini tashkil etishda tarbiyachilarni tayyorlash bo‘yicha trening moduli. T.: 2017-y



---

# Research Science and Innovation House

## ОСОБЕННОСТИ И ТРАВМЫ МЯГКОЙ ТКАНИ ПОЛОСТИ РТА У ДЕТЕЙ

**Халилова Барчиной Расуловна**

Ассистент Ферганского Медицинского Института Общественного  
Здоровья

### Аннотация

Полость рта является одной из самых важных частей человеческого организма, выполняющей не только функции пищеварения, но и играющей важную роль в речи и коммуникации. Мягкая ткань полости рта у детей обладает своими особенностями, которые важно понимать и учитывать для поддержания их здоровья. В данной статье мы рассмотрим анатомию, функции, основные причины, симптомы, методы лечения и способы предотвращения травм мягкой ткани полости рта у детей.

**Ключевые слова:** дети, травматические повреждения, челюстно-лицевая область.

### Annotation

The oral cavity is one of the most important parts of the human body, performing not only digestive functions, but also playing an important role in speech and communication. The soft tissue of the oral cavity in children has its own characteristics, which are important to understand and take into account in order to maintain their health. In this article, we will look at the anatomy, functions, main causes, symptoms, treatment methods and ways to prevent injuries to the soft tissue of the oral cavity in children.

**Keywords:** children, traumatic injuries, maxillofacial area.

Анатомия мягкой ткани полости рта у детей. Мягкая ткань полости рта у детей включает в себя различные структуры, такие как язык, губы, слизистая оболочка, нёбо и другие. Вот некоторые из основных компонентов: Язык: Язык является одним из ключевых органов в полости рта. У детей он может быть менее развитым по сравнению с взрослыми, что может влиять на их способность к произношению звуков и пониманию речи. Мягкая ткань на поверхности языка у детей обычно более нежная и чувствительная. Губы: Губы также играют важную роль в различных функциях, включая



произношение слов, усвоение пищи и защиту зубов и слизистой оболочки. Слизистая оболочка: Слизистая оболочка в полости рта у детей имеет более нежную структуру по сравнению с взрослыми. Она является первой линией защиты от различных инфекций и травм. Важно уделять особое внимание уходу за слизистой оболочкой, особенно у маленьких детей, чтобы предотвратить раздражение и воспаление. Небо: Небо у детей может быть более мягким и подвижным из-за недостаточной развитости в сравнении с взрослыми. Это важно учитывать при проведении медицинских процедур и диагностических исследований.

Функции мягкой ткани полости рта у детей. Мягкая ткань полости рта у детей выполняет ряд важных функций, которые оказывают влияние на их общее здоровье и развитие: Пищеварение: Мягкая ткань полости рта начинает процесс пищеварения путем разрушения пищи и смешивания ее с слюной, содержащей ферменты. Речь и коммуникация: Язык и губы участвуют в формировании звуков и произношении слов, что необходимо для развития речи и коммуникации у детей. Защита: Слизистая оболочка и другие компоненты мягкой ткани полости рта играют важную роль в защите органов полости рта от бактерий, вирусов и других внешних воздействий. Поглощение питательных веществ: Некоторые питательные вещества могут быть поглощены через слизистую оболочку полости рта, что особенно важно у детей, особенно у тех, кто имеет проблемы с пищеварением или приемом пищи.

Травмы мягкой ткани полости рта у детей.

Повреждения зубов и челюстей у детей составляют от 6 до 13% от общего числа травм, а 22-25% от всех переломов челюстей приходится на детский и юношеский возраст.

Зачастую происходит травма именно передних зубов. Такие травмы носят сезонный характер. В летний период, когда с наступлением тепла можно провести активно время (покататься на качелях, побегать, прокатиться на роликах и велосипеде) или зимой с катанием на коньках и с горки.

У детей раннего возраста чаще встречаются травмы временных зубов (ушибы, подвывихи, вывихи, реже перелом коронки или корня).

У детей школьного возраста чаще встречается перелом коронки или корня временного зуба.

Если произошла травма временного зуба, необходимо обратиться к врачу-стоматологу. Врач оценит, насколько серьезно повреждение, и как оно в дальнейшем может повлиять на постоянный зуб, ведь под временными зубами в челюсти у детей находятся зачатки постоянных зубов.

При вывихе и подвывихе происходит смещение зуба относительно альвеолярного отростка. В случае полного вывиха зуб отсутствует в альвеолярном отростке. В этом случае родители могут заметить нетипичное положение зуба, его незначительное смещение относительно других зубов. При таких травмах на слизистой оболочке в области поврежденного зуба может отмечаться кровоточивость, отек мягких тканей, их воспаление, сильная болезненность, подвижность травмированного зуба. Для диагностики повреждения практически всегда проводят рентгенологическое исследование и оценивают состояние зуба/зубов.

Если произошел ушиб временного зуба или незначительное смещение зуба, то достаточно на время ограничить прием грубой и твердой пищи и зуб останется в строю.

При вколоченном вывихе и травме корня - временный зуб подлежит удалению. В дальнейшем дефект восполняется ортодонтическим аппаратом с зубом – имедиат-протезом.

Если произошла травма твердых тканей зуба временного зуба, то проводится оценка состояния корня и тканей зуба. Если корень не поврежден и у врача есть хорошие условия для проведения лечения, то зуб можно попытаться сохранить. Если нет условий для проведения качественного лечения, зуб подлежит удалению

Травмы мягкой ткани полости рта у детей могут возникнуть из различных причин и могут привести к различным осложнениям, включая кровотечения, инфекции и даже нарушение развития. Причины травм мягкой ткани полости рта у детей. Падения: Падения могут быть одной из самых распространенных причин травм мягкой ткани полости рта у детей. Они могут произойти как в домашней обстановке, так и на улице или в школе. Игры и спортивные мероприятия: Активные игры и занятия спортом могут также приводить к травмам, особенно если дети не используют защитное снаряжение или играют без присмотра. Укусы и удары: Укусы животных или даже других детей, а также удары по лицу, могут вызвать травмы мягкой ткани полости рта. Потеря



зубов: Потеря зубов также может привести к травмам мягких тканей полости рта, особенно если она сопровождается повреждением слизистой оболочки или десен. Симптомы травм мягкой ткани полости рта у детей. Симптомы травм мягкой ткани полости рта у детей могут варьироваться в зависимости от характера и серьезности повреждения, но могут включать следующее:

**Кровотечение:** Кровотечение из рта может быть заметным при травмах мягкой ткани полости рта.

**Боль:** Дети могут испытывать боль или дискомфорт в области рта, особенно при касании или приеме пищи.

**Отёки и опухания:** Отёки и опухания в области лица, губ или десен могут быть признаком травмы мягкой ткани.

**Трудности с речью или пищеварением:** В случае серьезных травм могут возникать трудности с речью или пищеварением из-за боли или нарушений в структуре полости рта.

**Лечение травм мягкой ткани полости рта у детей.** Лечение травм мягкой ткани полости рта у детей может варьироваться в зависимости от характера и серьезности повреждения, но может включать следующие методы:

**Остановка кровотечения:** При легких кровотечениях достаточно промывания раны чистой водой и наложения стерильного подвязывания. В случае сильного кровотечения необходимо немедленно обратиться к врачу.

**Антисептическое лечение:** Для предотвращения инфекций может потребоваться применение антисептических средств или мазей.

**Прием болеутоляющих препаратов:** Для снятия боли и дискомфорта могут назначаться болеутоляющие препараты, согласно рекомендациям врача.

**Хирургическое вмешательство:** В случае серьезных травм, таких как разрывы слизистой оболочки или повреждения нёба, может потребоваться хирургическое вмешательство.

Здоровье мягкой ткани полости рта у детей.

Поддержание здоровья мягкой ткани полости рта у детей имеет решающее значение для их общего благополучия. Вот некоторые ключевые меры, которые родители и опекуны могут предпринять для обеспечения здоровья мягкой ткани полости рта у детей:

**Регулярная гигиена:** Учите детей чистить зубы и язык после еды, используя мягкую зубную щетку и зубную нить. Это помогает предотвратить кариес и другие заболевания полости рта.

**Правильное питание:** Питание должно быть богатым питательными веществами и не содержать излишне сладких или кислых продуктов, которые могут негативно сказываться на состоянии мягкой ткани полости рта.

Предупреждение травм мягкой ткани полости рта у детей. Предупреждение травм мягкой ткани полости рта у детей играет важную роль в поддержании их здоровья и благополучия. Некоторые способы предотвращения включают в себя: Носите защитное снаряжение: При занятии спортом используйте защитные шлемы, налокотники и другие средства защиты. Обучение правильным методам игры и безопасности: Обучите детей правильным методам игры и поведения, чтобы предотвратить травмы. Поддержание безопасной обстановки: Поддерживайте безопасность дома и игровых зон, чтобы предотвратить падения и другие травмы. Регулярные проверки у стоматолога: Регулярные проверки у стоматолога помогут выявить любые проблемы с мягкой тканью полости

#### Список литератур:

1. Djamolidinovna D. S. BLEACHING AND AESTHETIC RESTORATION OF TEETH IN VIOLATION OF THEIR COLORS AND SHAPES //Conferencea. – 2022. – С. 139-144.
2. Djamolidinovna, Djalolidinova Shakhlo. "Therapy of Postoperative Pain in Ambulatory Dental Practice." Texas Journal of Medical Science 14 (2022): 165-167.
3. KHALILOVA B. R. EFFECT OF ODONTOGENIC INFECTION TO PREGNANT WOMEN //ЭКОНОМИКА. – С. 137-140.
4. Khalilova B. R. MODERN CHALLENGES IN DENTISTRY IN UZBEKISTAN: ADDRESSING ISSUES AND ENHANCING ORAL HEALTHINTRODUCTION //SCHOLAR. – 2023. – Т. 1. – №. 32. – С. 19-25.
5. Mamatkulov, B., Urazaliyeva, I., Gulxayoxon, T., & Nematov, A. (2023). The Significance of Factors in Forming Attitude to Immunophrophylaxis and the Problems of Immunophrophylaxis.
6. Musayeva O. T., Khalilova B. R., Shopurova G. DENTAL STATUS OF THE ELDERLY: CARE AND PREVENTION //World of Scientific news in Science. – 2024. – Т. 2. – №. 1. – С. 344-353.
7. Qobiljon K. Implantation: Medical Achievements, Challenges and Prospects //Best Journal of Innovation in Science, Research and Development. – 2024. – Т. 3. – №. 1. – С. 406-410.



8. Tuichieva M. O., Gulibonu S. IMPROVING GENDER-SENSITIVE GERIATRIC MEDICAL CARE IN OUTPATIENT SETTINGS //Journal of Science-Innovative Research in Uzbekistan. – 2023. – Т. 1. – №. 8. – С. 112-116.

9. Turgunovna K. G. PREVALENCE OF CARIES IN CENTRAL ASIA AND MODERN METHODS OF TREATMENT //EUROPEAN JOURNAL OF MODERN MEDICINE AND PRACTICE. – 2023. – Т. 3. – №. 11. – С. 50-53.

10. Ахмед Хазем Ибрагим. Оптимизация регенерации костной раны при переломах челюстей у детей и подростков : автореф. дисс. ... канд. мед. - Алматы, 2008. - 18 с.

11. Брагина В.Г., Горбатова Л.Н. Травма челюст-но-лицевой области у детей // Экология человека. 2014. №. 2. С. 20-24. [Bragina VG., Gorbatoва L.N., Maxillofacial trauma in children. *Ecologiya cheloveka*. 2014; (2): 20-24

12. Давыдова Н.В., Фирсова И.В., Суетенков Д.Е., Олейникова Н.М. Профилактика травматических повреждений зубов, мягких тканей, челюстных костей у детей и подростков // Саратовский научно-медицинский журнал. 2011. Т7. № 1 (приложение). С. 199-202. [Davydova N.V., Firsova I.V., Suyetenkov D.E., Oleynikova N.M. Prevention of traumatic damage to teeth, soft tissues, jaw in children and adolescent. *Saratov Journal of Medical Scientific Research*. 2011; 7 (1) (suppl): 199-202.

13. Жапаров С.А. Применение Кальций -ДЗ Никомед в комплексном лечении переломов челюстей у детей и подростков: автореф... дисс. канд. мед. - Алматы, 2004. - 23 с.

14. Принципы оказания неотложной медицинской помощи // Вестник КазНМУ 2015. № 1. С.100-103. [Supiev T.K, Nurmaganov S.B., Zykeeva S.K. Injuries of the maxillofacial region in children. Principles of emergency medical care. *Vestnik KazNMU*. 2015 (1): 100-103.

15. Сипкин А.М., Ахтямова Н.Е., Ахтямов Д.В. Характеристика острых травматических повреждений челюстно-лицевой области // Российский медицинский журнал. 2016. № 14. С. 932-935. [Sipkin A.M., Akhtyamova N.E., Akhtyamov D.V. Characteristics of acute traumatic injuries of maxillofacial region. *RMJ*. 2016; 14: 932-935.

16. Супиев Т.К. и соавт. Оптимизация регенерация костной раны при переломах челюстей // Проблемы стоматологии. - 2008. - №1. - С. 73-77.

17. Супиев Т.К., Зыкеева С.К. Травмы челюстно-лицевой области у детей. Учебное пособие. - М.: Медпресс-информ, 2003. - 102 с.

18. Травмы мягких тканей и костей лица / Под ред. Шаргородского А.Г. ГЭОТАР-Мед. 2004. 384 с. [Sharogorodsky A.G., editor . Travmy myagkikh tkanei i kostei litsa. Moscow: GEOTAR-Med, 384 p.

19. Халилова , Б. Р. (2023). СОВРЕМЕННЫЕ ВЫЗОВЫ СТОМАТОЛОГИИ В УЗБЕКИСТАНЕ: РЕШЕНИЕ ПРОБЛЕМ И УЛУЧШЕНИЕ ГИГИЕНЫ ПОЛОСТИ РТА. GOLDEN BRAIN, 1(32), 36–42. Retrieved from <https://researchedu.org/index.php/goldenbrain/article/view/5372>

20. Халилова , Б. Р., & Мусаева , О. Т. (2023). РАСПРОСТРАНЕННОСТЬ ЗАБОЛЕВАНИЙ ПОЛОСТИ РТА В УЗБЕКИСТАНЕ И ИХ ПРОФИЛАКТИКА. RESEARCH AND EDUCATION, 2(9), 212–216.

21. Халилова, Б. Р., Мусаева, О. Т., & Толипова, Г. К. (2023). ВЛИЯНИЕ ОДОНТОГЕННОЙ ИНФЕКЦИИ НА ОРГАНИЗМ БЕРЕМЕННЫХ ЖЕНЩИНЫ. Scientific progress, 4(2), 245-251.

---

# Research Science and Innovation House



## КОНТРАЦЕПТИВНОЕ ПОВЕДЕНИЕ ЖЕНЩИН, ПЕРЕНЕСШИХ КЕСАРЕВО СЕЧЕНИЕ

Насирова З.А., Бахтиёрова Ф, Абдубокиева Д.

Самаркандский государственный медицинский университет

**Аннотация.** В статье приведены результаты анкетного опроса, отражающие социально-гигиенические характеристики женщин, перенесших кесарево сечение (основная группа) и родивших самостоятельно (контрольная группа). А также проведен анализ данных, позволяющий судить об отношении к различным аспектам контрацепции сложившимся стереотипе контрацептивного поведения, выявить мотивы невосприимчивости женщин к современным методам профилактики беременности.

**Ключевые слова.** Кесарево сечение, репродуктивное поведение, послеродовая контрацепция, интергенетический интервал, искусственный аборт, внутриматочная контрацепция.

Высокая частота абдоминального родоразрешения является отличительной чертой современного акушерства. Чаще всего операция кесарева сечения выполняется по сумме относительных показаний, зачастую в интересах внутриутробного пациента [3,11]. В настоящее время частота этой операции неуклонно растет. Она в Узбекистане за последние 10-15 лет выросла более чем два раза и по данным статотдела РСНПМЦ А и Г и РПЦ в 2017 г составила 18%, достигая в некоторых учреждениях до 35-40% [6].

Важнейшим фактором сохранения репродуктивного здоровья женщин, перенесших кесарево сечение, является решение проблемы нежелательной беременности и соблюдения интергенетического интервала. Искусственный аборт является тяжелейшим психологическим и гормональным стрессом, приводящим к функциональным и органическим нарушениям в репродуктивной системе [5,8]. В этой связи применение контрацепции рассматривается как одно из важнейших направлений в реабилитации женщин после оперативного родоразрешения.



Несмотря на пристальное внимание к проблеме послеродовой контрацепции, многие вопросы, связанные с применением современных видов контрацепции после кесарева сечения остаются дискуссионными [4,7,15].

Все вышесказанное определяет необходимость изучения репродуктивного поведения женщин после кесарева сечения и оптимизации применения высокоэффективных методов контрацепции у женщин с рубцом на матке.

**Methods.** С целью изучения особенностей репродуктивного поведения, информированности о методах контрацепции женщин, перенесших кесарево сечение, с учетом их социально-гигиенических характеристик, анкетированию подвергнуты 500 женщин г. Самарканда: 320 женщин, перенесшие кесарево сечение в нижнем сегменте матки (основная группа), и 180 женщин, родивших самостоятельно через естественные родовые пути (контрольная группа). При подборе контрольной группы был сделан ориентир на то, чтобы по ряду важных социально-гигиенических параметров эта группа не отличалась от основной. Статистическая обработка производилась с помощью прикладной статистической утилиты программы Excel 7.0. Методом исследования явился ретроспективный анализ по специально составленному опроснику в Google.forms (вопросник прилагается. См. Приложение 1).

**Результаты и их обсуждение.** Возраст респонденток колебался от 19 до 41 года, средний возраст составил  $26,9 \pm 1,2$  лет и  $27,3 \pm 1,4$  лет в основной и контрольной группах соответственно. Достоверных различий по возрасту среди женщин обеих групп не было ( $p > 0,05$ ).

Research Science and  
Innovation House



Таблица № 1.

Распределение респонденток в зависимости от возраста

Группы	Возраст абс. (%)		
	18-24	25-34	35-41
Основная n = 320	78 (24,4%)	209 (65,3%)	33 (10,3%)
Контрольная n = 180	112 (62,2%)	61 (33,9%)	7 (3,9%)

Среди респонденток обеих групп преобладали женщины в возрасте, наиболее важном с позиции репродуктивной значимости – 18 – 34 года (89,7 % и 96,1 % соответственно). В зависимости от давности родов между респондентками обеих групп достоверных различий не было ( $p > 0,05$ ).

По супружескому статусу обе группы респонденток оказались идентичными ( $p > 0,05$ ) (рис.1). Замужем были 309 (96,6%) женщин основной и 176 (97,8%) женщин контрольной групп соответственно. Не состояли в зарегистрированном браке 11 (3,4%) женщины основной группы и 4 (2,2%) женщин контрольной группы.

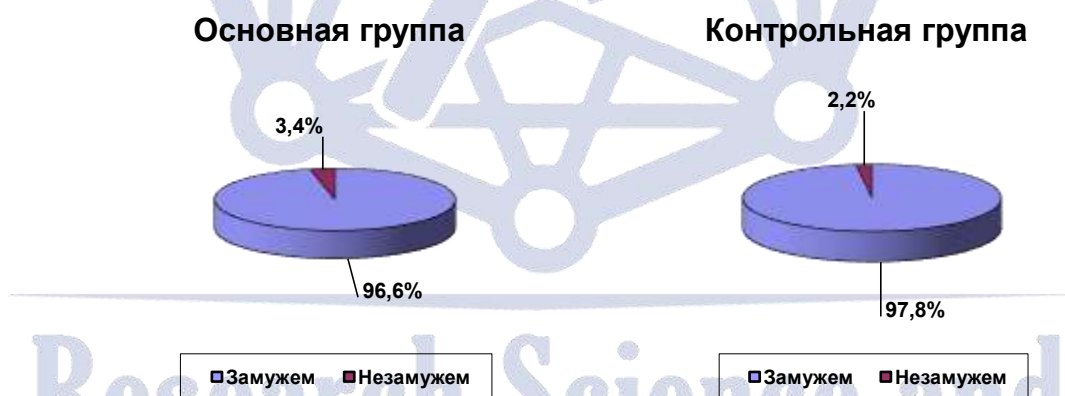


Рис.1.

Распределение респондентов по супружескому статусу

Количество находящихся в браке до 3 лет 75 (23,4%), от 4 до 10 лет 204 (63,8%), 10 лет и более 41 (12,8%) в основной группе, в браке до 1 года

состояло 54 (30%), до 3 лет 79 (44%), от 4 до 10 лет 39 (22%), 10 лет и более 8 (4%) в контрольной группе соответственно. ( $p > 0,05$ ). (рис.2)

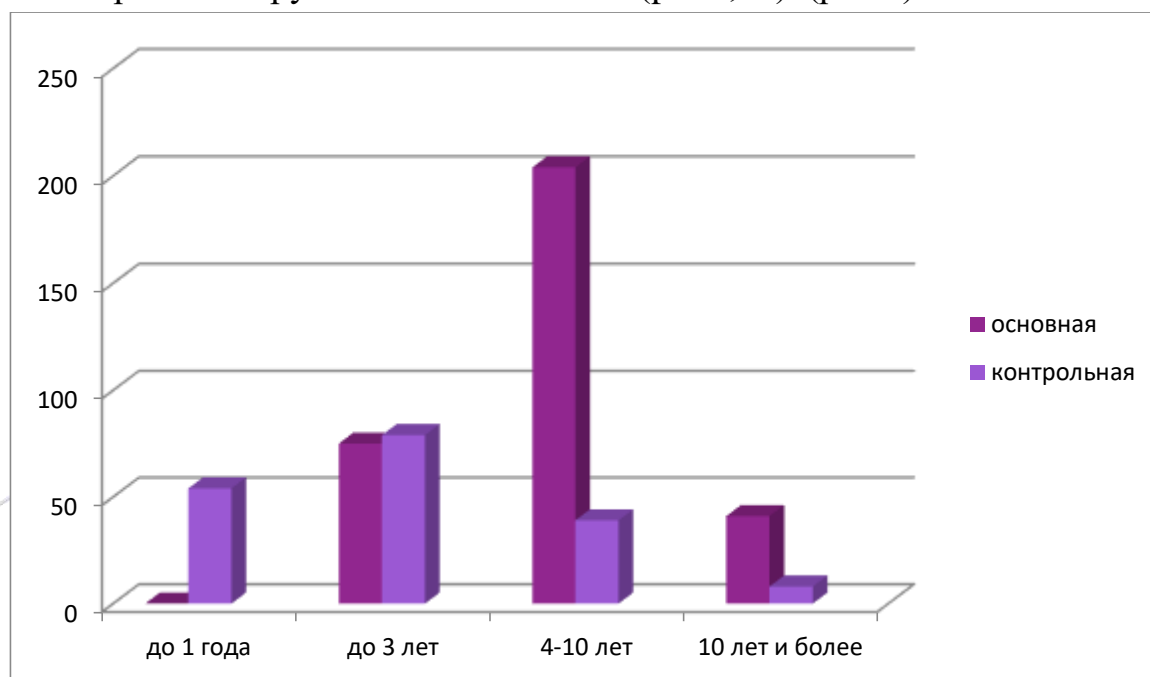


Рис. 2.

### Распределение респондентов в зависимости от продолжительности брака.

К моменту проведения настоящего опроса имели детей 99,4% женщин основной группы (у 2 респондентов мертворожденные в анамнезе) и 100% контрольной группы (табл.8). 64 (20%) женщин, перенесших кесарево сечение, и 79 (44%) женщин, родивших самостоятельно, имели одного ребенка в семье, двух 157 (49%) и 65 (36%) соответственно. Ребенка в возрасте до 12 месяцев имели 28,2 % основной и 30,0 % женщин контрольной группы, от 1 года до трех лет – 49,3 % и 42,0% соответственно.

Research Science and  
Innovation House





Таблица № 2.

Распределение респондентов в зависимости от интервала после родов

Группы	Интервал после родов в годах абс. (%)					
	0,25 -0,5	0,5- 1	1, 1 - 3	3,1 - 5	5,1 - 7	7,1 - 10
Основная n = 320	26 (8,1 )	72 (22, 5)	16 0 (5 0)	42 (13, 1)	13 (4, 1)	7 (2, 2)
Контроль ная n = 180	22 (12, 2)	4 (2,2 )	90 (5 0)	61 (33, 9)	3 (1, 7)	-

На момент опроса средний интервал после родов в основной группе составлял  $2,2 \pm 1,7$  года, в контрольной  $2,5 \pm 1,8$  года. Число женщин, перенесших операцию 5 или более лет назад, было незначительным - 19 (5,9%) в основной и 4 (2%) респондентки в контрольной группе соответственно.

Распределение респонденток основной и контрольной групп не имело существенных различий по возрасту, паритету и давности родов ( $p > 0,05$ ), что позволило считать их по данным параметрам однородными и проводить соответствующие сравнения.

Таблица 3.

Распределение респонденток по числу детей в семье

Чис ло детей в семье	Реальное (%)		Желаемое (%)	
	Основн ая группа	Контроль ная группа	Основн ая группа	Контроль ная группа
0	5 (1,6%)	0	0	0
1	64 (20%)	86 (48%)	0	0

2	155 (48,4%)	65 (36%)	181 (56,6%)	43 (24%)
3	95 (29,7%)	27 (15%)	128 (40,0%)	94 (52%)
4	1 (0,3%)	1 (4%)	11 (3,4%)	43 (24%)

Реально планируют повторную беременность и роды 144 (45%) женщин перенесших кесарево сечение, и 243 (76%) женщин, родивших самостоятельно ( $p > 0,05$ ). Однако, 69,3 % респонденток основной группы и 70,0% - контрольной желают отсрочить повторную беременность на ближайшие три года после настоящих родов и нуждаются в надежной контрацепции. Среди закончивших репродуктивную функцию в основной группе преобладают женщины старше 34 лет и имеющие двух и более детей.

При опросе женщин, перенесших кесарево сечение, выявлено, что только 208 (65%) респонденток имели беседу с врачом о планируемой беременности и родах.

Основным местом проведения бесед с родильницами, родившими самостоятельно, была женская консультация. Врачи родильного дома практически не принимали участие в обсуждении этого вопроса как с женщинами, перенесшими кесарево сечение, так и родившими самостоятельно.

Проводился анализ структуры беседы врачей с респондентками. Только двое из трех (73,7%) врачей в основной группе обговаривали интергенетический интервал, причем большинство (67%) рекомендовали выждать до 3 лет. В контроле каждый второй врач (54,3%) обговаривал срок будущих родов, из них до 3 лет – 54%.

В ходе беседы с женщинами обсуждался вопрос контрацепции, при этом врачи рекомендовали высокоэффективные методы контрацепции: внутриматочную контрацепцию для 54% женщин, гормональную контрацепцию для 19% женщин, добровольную хирургическую контрацепцию для 14% женщин после кесарева сечения.



При рассмотрении лактационной функции выявлена достоверно меньшая ее продолжительность в основной группе в сопоставлении с контрольной (табл. 4)

Таблица 4.

Распределение респонденток в зависимости от продолжительности грудного вскармливания.

Продолжительность грудного вскармливания (месяцы)	Основная группа абс. (%) n= 320	Контрольная группа абс (%) n= 180
До 1	11 (3,5%)	36 (20%)
1-3	56 (17,5%)	7 (4%)
4-6	93 (29%)	7 (4%)
7-12	45 (14%)	25 (14%)
Более 12	115 (36%)	105 (58%)

Как видно из таблицы, половина (50 %) женщин основной группы была вынуждена прекратить грудное вскармливание в связи с нарушением лактации через 6 месяцев после операции. После самопроизвольных родов к этому времени лактация прекратилась у трети женщин 50 (28%) ( $p < 0,05$ ). Респондентки, родоразрешенные через естественные родовые пути, проводили грудное вскармливание до 12 месяцев и больше в 72% и лишь 48,3% после оперативных родов ( $p < 0,01$ ).

Проводился анализ восстановления менструального цикла у респонденток после родов (табл. 5)

Таблица 5.

Распределение респонденток в зависимости от времени восстановления менструального цикла после родов

Восстановление менструального цикла (месяцы после родов)	Основная группа абс. (%) n= 320	Контрольная группа абс (%) n= 180
через 1	53 (16,6)	40 (22,0)

через 3	109 (34)	76 (42,0)
через 6	101 (31,6)	50 (28,0)
через 12	40 (12,5)	7 (4,0)
позднее 12	17 (5,3)	7 (4,0)

Согласно полученным результатам, через 4-6 месяца после кесарева сечения, несмотря на грудное вскармливание, более, чем у половины женщин – 50,6% - произошло восстановление менструальной функции, что делает невозможным использование метода лактационной аменореи. Через 6 месяцев менструации возобновились у 82,2%.

Нарушения менструального цикла после операции отмечали 83(26%) женщин основной и 22 (12%) женщин контрольной группы (табл.6)

**Таблица 6.**

**Распределение респонденток по характеру менструального цикла**

<b>Характер менструального цикла</b>	<b>Основная группа абс. (%) n= 320</b>	<b>Контрольная группа абс (%) n= 180</b>
Физиологический	224 (70%)	86 (48%)
Лактационная аменорея	13 (4,0%)	72 (40%)
Гипоменструальный синдром	51 (16,0%)	18 (10%)
Гиперменструальный синдром	27 (8,4%)	4 (2%)
Ациклические маточные кровотечения	5 (1,6)	0

Гинекологические заболевания в анамнезе женщины основной и контрольной группы отметили в равной степени (84,3% и 82,0% соответственно) ( $p > 0,05$ ) (табл.7)





Таблица 7.

Структура гинекологических заболеваний

Гинекологические заболевания	Основная группа абс. (%) n= 320	Контрольная группа абс (%) n= 180
Воспалительные заболевания женских половых органов	136 (42,5%)	90 (50%)
Заболевания шейки матки	35 (10,9%)	11 (6%)
Нарушения менструального цикла	83 (25,9%)	22 (12%)
Бесплодие	5 (1,6%)	4 (2%)
Эндометриоз	3 (0,9%)	18 (10%)
Миома матки	5 (1,6%)	4 (2%)
Гиперпластические процессы эндометрия	3 (0,9%)	0
Всего	270 (84,3%)	149 (82%)

У многих женщин, перенесших кесарево сечение, имело место сочетание нескольких нозологических форм, причем из них 42,5% страдали воспалительными заболеваниями половых органов, 10,9% - заболеваниями шейки матки, 25,9% - нарушениями менструального цикла. 2 (1,6%) респонденток основной группы указали на развитие вторичного бесплодия после перенесенной операции кесарева сечения.

Артифициальный аборт после настоящих родов имели 69 (21,6%) женщин основной группы, что достоверно меньше, чем в контроле 58 (32,0%) ( $p < 0,05$ ). Однако особого внимания заслуживают данные о том, что каждый второй аборт произведен в течение первого года после операции 42 (60,9%) или родов 32 (55,2%) ( $p > 0,05$ ). Из общего числа абортов 13,5% и 14,3% - в течение первых шести месяцев после родов соответственно ( $p > 0,05$ ).

В таблице 8 представлены сведения о частоте использования различных методов контрацепции в первый год после родов.

Таблица 8.

**Распределение респонденток в зависимости от используемых методов контрацепции**

Методы контрацепции	Первый год после родов	
	Основная группа абс. (%) n= 320	Контрольная группа абс (%) n= 180
Не использовали	53 (16,5%)	29 (16,1%)
Презерватив	52 (16,3%)	30 (16,7%)
Прерванный половой акт	45 (14,1%)	11 (6,1%)
Календарный метод	3 (0,9%)	-
Лактационная аменорея	19 (5,9%)	35 (19,4%)
Гормональная контрацепция'	6 (1,9%)	2 (1,1%)
Внутриматочная контрацепция	90 (28,1%)	71 (39,4%)
Хирургическая контрацепция''	28 (8,8%)	-
Спермициды	6 (1,9%)	-
Не используют по причине отсутствия сексуальных отношений	18 (5,6%)	2(1,1%)

Как видно из таблицы, основное предпочтение было отдано низкоэффективным методам: презервативу, прерванному половому акту и календарному методу. В основной группе процент женщин, использующих ВМК (28,1%), был достоверно ниже по сравнению с контрольной группой (39,4%) ( $p < 0,01$ ), гормональная контрацепция в обеих группах применялась редко. Анализ частоты абортов в зависимости от используемых методов



контрацепции в первый год после родов показал, что женщины обеих групп, применявшие высокоэффективные методы контрацепции, не имели абортов. Среди респонденток, имевших аборт в первый год после родов, в основной группе 77,1% составили женщины, использовавшие низкоэффективные методы предохранения от нежелательной беременности, в контроле – 63,6% ( $p>0,05$ ). 16,5% в основной и 16,1% в контрольной группе составили женщины, не использовавшие контрацептивные методы.

Изучался выбор метода контрацепции в основной группе в зависимости от различных социальных факторов (табл. 9)

Таблица 9.

**Влияние социально – гигиенических факторов на выбор метода контрацепции в основной группе**

Социально – гигиенический фактор	Метод контрацепции		
	Высокоэффе ктивный абс. (%) n=124	Низкоэффе ктивный абс. (%) n=125	Не предохранялись абс. (%) n=71
<b>Возраст</b>			
до 24 лет	16 (12,9%)	31 (24,8%)	31 (43,7%)
С 25 до 34 лет	82 (66,1%)	94 (75,2%)	34 (47,9%)
Старше 35 лет	26 (21%)	0	6 (8,4%)
<b>Семейное положение</b>			
замужем	118 (95,2%)	120 (96,0%)	69 (97,2%)
незамужем	6 (4,8%)	5 (4,0%)	2 (2,8%)
<b>Образование</b>			
Среднее	58 (46,8%)	102 (81,6%)	45 (63,4%)
Средне- специальное	45 (36,3%)	18 (14,4%)	26 (36,6%)
Незаконченное высшее и высшее	21 (16,9%)	5 (4,0%)	0

Исследование не выявило значимой связи между методом контрацепции и семейным положением, уровнем образования. Женщины в возрасте 30 лет и старше применяют высокоэффективные методы контрацепции чаще ( $p < 0,05$ ), с ростом образовательного ценза повышается частота применения средств контрацепции с целью предохранения от нежелательной беременности в основной группе (респондентки со средним образованием составили 58 (46,8 %), со средне-специальным – 45 (36,3%), с высшим и незаконченным высшим – 21 (16,9%) ( $p < 0,01$ ).

Выбор метода контрацепции тесно связан с оценкой женщинами возможности его отрицательного влияния на организм. В исследовании 40 (12,5%) женщин основной группы и 14 (7,8%) контрольной считают, что использование методов контрацепции негативно сказывается на здоровье ( $p > 0,05$ ). Отрицательно относятся к применению гормональной контрацепции 51,0% женщин основной группы и 48,0% контрольной, связывая это с увеличением массы тела и влиянием на обмен веществ ( $p > 0,05$ ). Отрицательно относятся к использованию внутриматочных контрацептивов 16,7% женщин после кесарева сечения из-за возможного повреждения рубца и 14,0% родивших самостоятельно из-за увеличения менструальной кровопотери и возможности воспалительных заболеваний.

Данные о том, что влияет на решение по использованию контрацептивов, представлены в таблице 10.

Таблица 10

Влияние на выбор метода контрацепции

Категории	Основная группа абс. (%) n= 320	Контрольная группа абс (%) n= 180
Рекомендации врача/медработника	61 (19,1%)	29 (16,1%)
Согласие супруга (свекрови)	134 (41,9%)	68 (37,8%)
Рекомендации родителей	67 (20,9%)	29 (16,1%)*
Решение самой пациентки	35 (10,9%)	36 (20%)*



Затрудняются ответить	23 (7,2%)	18 (10%)*
-----------------------	-----------	-----------

Примечание: \* - достоверность различий сравниваемых величин при  $p < 0,5$

Как видно из таблицы, основная роль по решению об использовании контрацепции принадлежит супругу/свекрови. Самостоятельное решение об использовании контрацептивов приняли только 10,9% женщин основной группы и 20% - контрольной.

**Conclusions.** Таким образом, репродуктивное поведение женщин, перенесших кесарево сечение, независимо от социально-гигиенических параметров, характеризуется позитивным настроением на рождение детей в будущем, желанием отсрочить повторную беременность на ближайшие три года после операции, но при этом, использованием в первый год после операции низкоэффективных методов контрацепции, а потому высокой частотой индуцированных абортов.

В этой связи особого внимания заслуживают данные опроса об информированности женщин по методам контрацепции: информацию о 4-5 методах контрацепции не имела ни одна женщина, как в основной, так и в контрольной группе. О 3-х методах контрацепции знают 105 (32,8%) женщин основной и 61 (33,9%) женщин контрольной группы, т.е. эти сведения в обеих группах не имеют достоверных различий ( $p > 0,5$ ). О двух методах контрацепции информированы 160 (50%) женщин основной и 86 (47,8%) женщин контрольной группы ( $p > 0,5$ ). Остальные 55 (17,2%) и 33 (18,3%) ( $p > 0,5$ ) обеих групп соответственно знали только об 1 методе предохранения от нежелательной беременности. 83,3% женщин основной группы и 90% женщин контрольной группы знали о ВМК, но при этом считали, что послеродовое введение может отрицательно сказаться на их состоянии здоровья и предпочитали не использовать этот метод до наступления первой менструации. Особо следует отметить, что ни одна из респонденток не ответила о возможности использования МЛА – все 100% женщин знали, что кормление грудью может защитить от беременности, но никто не указал на 3 основные условия МЛА – исключительно грудное вскармливание, возраст ребенка менее 6 месяцев и отсутствие менструации. В таблице 11

представлены данные об источниках получения информации о методах контрацепции.

Таблица 11.

**Источники получения информации о методах контрацепции**

Источники	Группы опрошенных	
	Основная группа абс. (%) n= 320	Контрольная группа абс (%) n= 180
Индивидуальные беседы с медработниками	64 (20%)	32 (17,8%)
Лекции в махалях	-	-
Средства массовой информации	-	7 (3,9%)
Подруги, родственники	205 (64,1%)	133 (73,9%)

Как видно из таблицы только 11-24% женщин обеих групп получили информацию из первоисточников о средствах контрацепции. Особо обращает на себя внимание факт отсутствия регулярной информации в СМИ и в махаллях. 20% женщин основной группы и 17,8% - контрольной, получившие информацию о методах контрацепции, это пациентки, которые сами обратились к медработникам за средством контрацепции. По данным нашего исследования активного консультирования по методам контрацепции со стороны первичного звена здравоохранения по отношению к женщинам, перенесшим кесарево сечение, так же, как и родивших самостоятельно, нет.

Подводя итог, хотелось бы сказать, что для улучшения использования методов контрацепции требуется улучшение работы по активному консультированию среди беременных, рожениц и родильниц с привлечением не только сотрудников родильных домов, но и первичного звена здравоохранения, а так же СМИ и активистов махали. Для женщин, перенесших кесарево сечение, использование современных высокоэффективных методов контрацепции станет не только залогом сохранения интергенетического интервала, но и профилактикой аборт.





### Литература.

1. Дикке Г.Б., Профилактика повторной нежелательной беременности, выбор метода контрацепции//акушерство и гинекология. – 2014.-№4. Стр. 81-87.
2. Додхоева М.Ф., Юлдошева М.У. Реабилитация и диспансеризация женщин после абдоминального родоразрешения //Вестник Авиценны. 2016. № 2 (67). С. 42-47.
3. Курбанова З.А., Омаров Н.С.М., Кантаева Д.К. Особенности контрацептивного поведения женщин после кесарева сечения //В сборнике: Перспективы развития научных исследований в 21 веке сборник материалов X Международной научно-практической конференции. 2016. С. 102-103.
4. Курбанова З.А., Омаров Н.С.М., Омарова Х.М. Различные виды контрацепции у женщин с рубцом на матке //Уральский медицинский журнал. 2017. № 11 (155). С. 33-36.
5. Мальцева Л.И. Выбор контрацепции после кесарева сечения// Вопросы гинекологии, акушерства и перинатологии. 2014. Т. 13. № 2. С. 88-94.
6. Насирова З.А., Агабабян Л.Р. Постплацентарное введение внутриматочных спиралей у женщин, родоразрешенных абдоминальным путем //Проблемы репродукции. 2017. Т. 23. № 2. С. 81-83.
7. Насирова З. А., Ахмедова А. Т. Недостатки и преимущества применения внутриматочной контрацепции во время кесарева сечения //Вестник врача. – 2017. – С. 26.
8. Насирова З. А., Хамраев Х. Х. Особенности применения внутриматочной контрацепции //Вестник врача. – 2017. – С. 31.
9. Advances in contraception: new options for postpartum women Taub RL and

## INVESTITSION LOYIHALARNI MOLIYALASHTIRISH MANBALARI VA AHAMIYATI

**Bo‘riyev Shaxboz Qamariddin o‘g‘li**

MCHJ “O‘zEraeAlternator” QK Xarid, ta‘minot va logistika bo‘limi boshlig‘i

Bugungi kunda mamlakatimizda investitsiya salohiyatini va uni rivojlantirishga katta ahamiyat berilyapdi. Bundan tashqari investitsiyalarni jalb qilish va iqtisodiy sohalarni rivojlantirish nafaqat Davlatimizning balkim barcha tadbirkorlarning ham maqsadiga aylangan desak xato bo‘lmaydi. Investitsion salohiyatni oshirish mamlakatni iqtisodiy va ijtimoiy rivojlanishining asosiy vositalaridan biri bo‘lib xizmat qiladi. Buning uchun biz avvalambor iqtisodiy bilimlar ayniqsa aynan investitsiyaning Davlatimiz Moliyasida qanchalar ahamiyatli ekanligi haqida chuqur bilim va ko‘nikmalarga ega bo‘lishimiz zarur.

Iqtisodiy va moliyaviy sohani yaxshi o‘rganib va unda bo‘layotgan jarayonlarni tahlil qila olishimiz uchun, avvalo investitsiya o‘zi nima degan savolga javob olishimiz kerak. Investitsiya (lotincha: investio — “o‘rash”) — iqtisodiyotni rivojlantirish maqsadida o‘z mamlakatida yoki chet ellarda turli tarmoqlarga, ijtimoiy-iqtisodiy dasturlarga, innovatsiya, tadbirkorlik loyihalariga uzoq, muddatli kapital kiritish (qo‘yish). Investitsiya bu sodda qilib tshuntiradigan bo‘lsak, biron bir sohani rivojlantirish uchun unga sarmoya kiritish ya‘ni pul tikish va o‘sha sohadan yoki tadbirkorlik faoliyatidan kelajakda ko‘riladigan daromadga sherik bo‘lishdir.

Investitsion loyihalarni moliyalashtirish turli manbalardan va turli usullardan foydalangan holda amalga oshirilishi mumkin. Investitsion loyihalarni moliyalashtirishning asosiy manbalari va usullari quyida keltirilgan:

1. **O‘z mablag‘lari:** Investorlar loyihani moliyalashtirish uchun o‘zlarining jamg‘armalari yoki kapitalaridan foydalanishlari mumkin. Bunga shaxsiy jamg‘armalar, tadbirkorlik investitsiyalari, o‘z kapitali yoki sheriklarning jalb etilishi kiradi.

2. **Qarzga olingan mablag‘lar:** Kreditlar va qarzlarni moliyalashtirishning eng keng tarqalgan manbalaridan biridir. Ularni banklar, moliya institutlari, xususiylar investorlar yoki tadbirkorlikni qo‘llab-quvvatlash bo‘yicha davlat dasturlari orqali olish mumkin.





3. **Ipoteka va garov:** Baʼzi hollarda, ayniqsa, investitsiya loyihasi koʻchmas mulk bilan bogʻliq boʻlsa, mulkka qarz olish uchun ipoteka yoki garovdan foydalanish mumkin.

4. **Investitsiyalarni jalb qilish:** Tadbirkorlar venchur kapitalistlar, farishta investorlari<sup>1</sup> yoki korporativ investorlardan moliyalashtirish evaziga kompaniyadagi ulushlarini berish orqali investitsiyalarni jalb qilishlari mumkin.

5. **Hukumat va xalqaro grantlar:** Baʼzi loyihalar tadqiqot, ishlanmalar yoki ijtimoiy loyihalar kabi muayyan faoliyatni qoʻllab-quvvatlovchi hukumat yoki xalqaro tashkilotlar grantlari orqali moliyalashtirilishi mumkin.

6. **Obligatsiyalarni chiqarish:** Yirik kompaniyalar yoki davlat idoralari investitsiya loyihalari uchun mablagʻ jalb qilish uchun obligatsiyalar chiqarishi mumkin. Obligatsiyalar kelajakda maʼlum foiz stavkasi boʻyicha kapitalni qaytarish vaʼdasini ifodalaydi.

7. **Crowdfunding (Crowdfunding):** Ushbu moliyalashtirish usuli tobora ommalashib bormoqda. Bu sizga onlayn platformalar orqali koʻp sonli odamlardan mablagʻ toʻplash imkonini beradi. Crowdfunding xayriya koʻrinishida yoki kutilayotgan foyda yoki loyihadagi ulushga ega investitsiyalar shaklida boʻlishi mumkin.

8. **Ommaviy taklif (IPO):** Katta miqdordagi kapitalni jalb qilmoqchi boʻlgan yirik kompaniyalar uchun IPO - bu kompaniyaning aktsiyalari birjada keng ommaga sotish uchun taklif qilinadigan variant.

Har bir loyiha oʻzining xususiyatlariga, rivojlanish bosqichiga, xavf-xatarlarga va kutilayotgan daromadga qarab turli xil moliyalashtirish manbalariga mos kelishi mumkin. Loyihaning oʻziga xos xususiyatlariga va moliyaviy ehtiyojlarga eng mos keladigan moliyalashtirish manbalarini tanlash muhimdir.

Investitsion hamkorlik umumjahon va milliy muammolarni hal qilishga yordam beradi. Yildan-yilga butunjahon boʻyicha investitsiya hajmi oshib bormoqda. 1980 yillarda jahon boʻyicha investitsiya 450 ming AQSH dollarini tashkil qilgan bolsa, bu koʻrsatgich 1990 yilga kelib 2 trillion AQSH dollariga

---

<sup>1</sup> Farishta investor - bu kompaniyadagi kapital yoki boshqa investitsiya vositalari evaziga startaplar va dastlabki bosqichdagi kompaniyalarga moliyaviy yordam koʻrsatadigan xususiy investor. Ular oʻzlarining shaxsiy mablagʻlarini istiqbolli korxonalariga, kelajakda ushbu kompaniyalar oʻsib, daromadli boʻlganda yoki sotilganda daromad olish maqsadida investitsiya qiladilar.



yetgan. Hozirgi kunda esa (2023-yilda) to‘g‘ridan-to‘g‘ri xorijiy investitsiyalar hajmi 1,37 trillion<sup>2</sup> AQSH dollarini tashkil etadi.

O‘zbekiston Respublikasida yangi bozor iqtisodiyotiga o‘tish davrida investitsiyalardan samarali foydalanib kelinmoqda. O‘zbekiston Respublikasi 1996- yildan beri har yili buyudjetdan va byudejtdan tashqari fondlardan tushadigan mablag‘lar, chet el investitsiyalari, va hukumat kafolati bilan olingan kreditlar hisobiga aniq qurilish dasturlarini qabul qilib keladi. Respublika iqtisodiyotiga investitsiya kiritishda davlat byudjeti mablag‘lari, chet el investitsiyalari, korxonalarining o‘z mablag‘lari va aholi jamg‘armalari qatnashmoqda.

2000-yilda moliyalashtirishning jami manbalari hisobidan mamlakat iqtisodiyotiga salkam 700 milliard so‘m, shu jumladan, 810 million AQSH dollari investitsiyalandi. Uning 30,3 % ni respublika byudjeti, 39,1 % ni korxonalar va aholi mablag‘lari, 7,5 % ni banklar kreditlari va boshqa qarz mablag‘lar, 21,7 % ini chet el investitsiyalari va kreditlari, 1,4 % ni byudjetdan tashqari jamg‘armalar mablag‘lari tashkil qiladi. Respublikada investitsiya faoliyatining huquqiy bazasini yaratishda “Chet el investitsiyalari va chet ellik investorlar faoliyatining kafolatlari to‘g‘risida” (1995-yil 5-may), “Investitsiya faoliyati to‘g‘risida” (1998-yil 12-dekabr), “Chet ellik investorlar huquqlarining kafolatlari va ularni himoya qilish choralari to‘g‘risida” (1998-yil 30-aprel), “Chet el investitsiyalari to‘g‘risida” (1998-yil 30-aprel), “Lizing to‘g‘risida” (1999-yil 14-aprel), “Qimmatli qog‘ozlar bozorida investorlarning huquqlarini himoya qilish to‘g‘risida” (2001-yil 30-avgust) qonunlarining qabul qilinishi muhim ahamiyatga ega bo‘ldi. Investitsiya faoliyatida investorlar har bir mamlakatdagi investitsiya muhiti bilan bog‘liq bo‘lgan ko‘pdan-ko‘p xatarlarga duch keladilar. Shu sababli investitsiyani, ayniqsa, chet el investitsiyalarini sug‘urta qilish muhim ahamiyatga ega.

Iqtisodiy va moliyaviy vaziyatni sog‘lomlashtirish uchun jamg‘armalarning ichki kapital qo‘yilmalar va xorijiy investitsiyalarni jalb qilish sifatida real investitsiyalarga aylantirilishini hamda ulardan samarali foydalanishni ta‘minlash muhim hisoblanadi. Xalqaro amaliyotni o‘rganish shundan dalolat beradiki, investitsion loyihalarni moliyaviy tahlil qilish sohasida ularni realizatsiya qilishning maqsadga muvofiqligini asoslash, ekspertizalar o‘tkazishning roli o‘sib borayapti. Bu muammoni hal etish xalqaro andazalarining mujassamlashgan shakllari

<sup>2</sup> Birlashgan Millatlar Tashkilotining SAVDO VA RIVOJLANISH BO‘YICHA KONFERENSIYASI 2023





YuNIDO<sup>3</sup> metodikasida o‘z aksini topgan. Biroq har bir mamlakat iqtisodiyotining o‘ziga xos xususiyatlari bu metodikada mavjud bo‘lgan an‘anaviy yondashuvlardan to‘g‘ridan to‘g‘ri nusxa olishga imkon bermaydi va shuning uchun ham ularni har bir mamlakatning xo‘jalik sharoitlariga moslashtirish kerak. Bunda joylashtiriladigan mablag‘larning qoplanishi va avanslashtirilgan kapitalga investor tomonidan talab qilinadigan daromad normasini olish bo‘yicha investitsion takliflarni sifati jihatidan ekspertiza qilish muhimdir. Ana shu yo‘nalishda investitsion loyihalarni texnik-iqtisodiy jihatidan asoslash, qarz oluvchining moliyaviy ahvoli va uning raqobatbardoshligi, shuningdek vakolatli bankning kafolatini xarakterlaydigan tegishli ekspert xulosalariga baho berishning ahamiyati ortadi.

Xorijiy firmalar bilan hamkorlikdagi investitsion loyihalarni o‘zlashtirish davrida birinchi bosqichda foiz va mamlakat banklari tomonidan operatsion xarajatlar bo‘yicha to‘lovlar amalga oshiriladi. Qaytarishda esa (to‘liq o‘zlashtirilganidan so‘ng) qarzning asosiy summasi (xorijiy bankning grafigiga muvofiq ravishda) o‘tkaziladi va foizlar bo‘yicha to‘lovlar to‘lanadi. Taqdim etilgan takliflarni realizatsiya qilish mexanizmi, bir tomondan, xorijiy investitsion kreditlarni oluvchilarning tarkibini optimallashtirishga xizmat qiladi va ikkinchi tomondan esa, ulardan maqsadli foydalanish ustidan ta‘sirchan nazorat bo‘lishi ta‘minlaydi. Investitsiyalashtirishning natijaliligini oshirish uchun investitsion loyihalarni, shu jumladan xorijiy kredit liniyalariga qo‘shish uchun ham, tanlab olish tartibi tartibga keltirilmog‘i lozim. Xo‘jalik yurituvchi subyekt va tashkilotlarning arizalarini ularning asoslanganligi bo‘yicha xulosalar uchun tarmoq, korporativ va mintaqaviy darajalarda qayta ishlab chiqish muhim hisoblanadi.

Xulosa o‘rnida shuni aytish mumkinki, investitsion loyihalarni moliyalashtirish asosan o‘z mablag‘lari va qarz mablag‘lari hisobidan amalga oshirilgan ekan. Investitsion loyihalarni moliyalashtirishga qancha e‘tibor kuchaysa iqtisodiy erkinligimiz shuncha kuchayadi. Ayniqsa chet eldan investitsiyalarni jalb qilish mamlakatimizda ishlab chiqarish sohalari, bozor iqtisodiyoti va mexanizmini, qurilish va sanoatni rivojlanishiga bevosita ta‘sir ko‘rsatadi. Loyihalarni moliyalashtirish bu zamonaviy texnika-texnologiyalarni modernizatsiya qilish va qayta yangilash, xalq iste‘moli uchun yuqori sifatli mahsulotlarni ishlab chiqarish,

<sup>3</sup> Birlashgan Millatlar Tashkilotining Sanoatni rivojlantirish bo‘yicha tashkiloti (YuNIDO)



shuningdek Respublikaning eksport salohiyatini oshirish, tashqi iqtisodiy faoliyatiga xizmat ko'rsatish maqsadida Respublikaga jalb qilinadigan texnologiyalarga yo'naltiriladigan yirik investitsiya loyihalari va dasturlarni moliyalashtirish hisoblanadi. Shuning uchun ham Moliyaviy va iqtisodiy bilim va ko'nikmalarimiz qancha yaxshi bo'lsa, kelajakda bu kabi investitsiyon loyihalarni moliyalashtirish shuncha ko'p bo'ladi. Buning uchun esa bu kabi ma'lumotlarni sifatli va ishonchli qilib ommaga taqdim qilishimiz va tadbirkorlarni axborot manbalari bilan ta'minlashimiz darkor.

#### FOYDALANILGAN ADABIYOTLAR:

1. A.V. VAHOBOV, T.S. MALIKOV “Moliya” Toshkent-2012
2. M.S. QOSIMOV, G.Ya. MUXAMEDJANOVA “Investitsiya Loyihalari Tahlili” Toshkent-2011
3. A.G.IBRAGIMOV, Z.R.MADAMINOVA, M.E. RAXMATALIYEV “Moliyaviy Menejment” Toshkent-2016
4. G'.H.HUSANOV, M.L.TURSUNXODJAYEV, A.R.BAK3YEV “Moliyaviy Menejment” Toshkent-2006
5. Samariddin ELMIRZAYEV “Korporativ Moliya” Toshkent-2015
6. T. Malikov iqtisodiyot fanlari doktori, professor O. Olimjonov iqtisodiyot fanlari doktori, professor “Moliya” Toshkent “IQTISOD-MOLIYA”2019
7. T.S. Malikov “Xo'jalik yurituvchi subyektlar Moliyasi” Toshkent “IQTISOD-MOLIYA” 2010
8. «Бизнес ва тadbirkorlik asoslari» kursi b'uyicha amaliy q'llanma Toshkent – 2009
9. Meliyeva Nargiza, Bahriddinova Marjona Otabek qizi «Новости образования: исследование в XXI веке» № 5 (100), часть 1 декабрь, 2022 г
10. Конференция организации объединенных наций по торговле и развитию (ЮНКТАД) - доклад о мировых инвестициях 2023г.



UDC : 336.74 (572.3)

**ДАРОМАДЛАР ВА ХАРАЖАТЛАР ҲИСОБИНИ  
ТАКОМИЛЛАШТИРИШ**

**К. Р. Ҳотамов,**

Иқтисод фанлари фалсафа.доктори, профессор,

Бухгалтерия ва аудит кафедраси,

**Зарова Юлдуз Комил қизи**

Бухгалтерия ва аудит кафедраси

02-23 гуруҳи магистранти

[yulduz.zarova@mail.ru](mailto:yulduz.zarova@mail.ru)

50-220-96-01

**Солиқ Қўмитаси хузуридаги ФИСКАЛ институт**

**Аннотация.** Бу мақолада даромадлар ва харажатлар ҳисобини такомиллаштириш, шунга боғлиқ бўлган муаммолар, муаммоларни ҳал қилишнинг назарий, ташкилий ва методологик жиҳатлари ҳақида маълумотлар ёритилган. Бундан ташқари корхоналар харажатларининг назоратсиз ўсиши, уни бартараф этиш учун оптималлаштириш зарурияти, харажатларни тежаш учун мақсадли дастурларни ишлаб чиқиш, ушбу дастурнинг аҳамияти шунингдек, ишлаб чиқариш ва хизмат кўрсатиш соҳаларида харажатларни тежашнинг илғор усулларини таклиф ва хулосаларини бериш ҳамда харажатларни оптималлаштиришга қаратилган таклифлар ҳақида ҳам маълумотлар берилган.

**Абстрактный.** В данной статье рассмотрены теоретические, организационные и методические аспекты совершенствования учета доходов и расходов, связанные с этой проблемы и способы их решения. Кроме того, отмечен неконтролируемый рост затрат предприятия, необходимость оптимизации для его устранения, разработка целевых программ экономии затрат, важность этой программы, а также предложения и выводы о передовых методах экономии затрат в производстве и обслуживании. секторах, а также предложения, направленные на оптимизацию затрат.

**Abstract.** This article discusses the theoretical, organizational and methodological aspects of improving the accounting of income and expenses, related

problems and ways to solve them. In addition, the uncontrolled growth of enterprise costs, the need for optimization to eliminate it, the development of targeted cost saving programs, the importance of this program, as well as suggestions and conclusions about advanced methods of cost saving in production and service are noted. sectors, as well as proposals aimed at optimizing costs.

**Калит сўзлар.** Молиявий ҳисобот, халқаро стандарт, соф фойда, фойда ва зарар, бошқа умумлашган даромад, қайта баҳолаш, валюта курсидаги фарқ.

**Ключевые слова.** Финансовая отчетность, международный стандарт, чистая прибыль, прибыли и убытки, прочий совокупный доход, переоценка, курсовая разница.

**Keywords.** Financial statement, international standard, net profit, profit and loss, other comprehensive income, revaluation, exchange rate difference.

**Кириш.** Корхоналар фаолиятини назарий ва амалий ўрганиш жараёнида даромадлар ва харажатлар ҳисоби ҳамда таҳлили бўйича кўплаб масалаларига алоҳида эътибор берилган лекин, илмий ва амалий тадқиқотлар натижасида ҳали тармоқда даромадлар ва харажатлар ҳисобини халқаро стандартлар асосида такомиллаштириш ҳамда кўрсатилган хизматлар таннархини пасайтириш имкониятлари мавжудлиги аниқланди. Мазкур ҳолат эса ҳозирги миллий иқтисодиётнинг етакчи тармоқларини модернизация ва диверсификация қилиш шароитида корхоналарда бухгалтерия ҳисобини такомиллаштириш борасида илмий тадқиқот ишларини олиб бориш заруратини белгилаб берди.

**Диссертация мавзусининг долзарблиги.** Жаҳон мамлакатлари ўртасида иқтисодий муносабатларнинг ривожланиши, давлатлар ўртасида инсонпарварлик ёрдамларининг кенгайиши, шаҳарлар кўпайиши, моддий ресурсларни ишлаб чиқариш ҳамда истеъмолнинг ўсиши, ўзаро муносабатларда харажатларни пасайтириш масалалари харажатлари ҳисобини юритиш заруриятини келтириб чиқармоқда. Ишлаб чиқариш (хизмат кўрсатиш) харажатларини асосан, уч гуруҳга: доимий, вақтинчалик ва билвосита харажатларга бўлиб ҳисобга оладилар.

Ўзбекистон Республикасини янада ривожлантириш бўйича Ҳаракатлар стратегиясида “Ишлаб чиқаришни модернизация қилиш, техник ва



технологик жиҳатдан янгилаш, ишлаб чиқариш, транспорт-коммуникация ва ижтимоий инфратузилма лойиҳаларини амалга оширишга қаратилган фаол инвестиция сиёсатини олиб бориш” каби вазифалар белгилаб берилган. Мазкур вазифалар корхоналарда ишлаб чиқариш харажатларини бошқариш ва ҳисобини такомиллаштириш зарурлигини кўрсатиб беради.

Жаҳон амалиётида даромадлар ва харажатларни бошқариш, моддий харажатларнинг таркибий таҳлили, бошқарув ҳисобини ташкил этиш, харажатларни бошланғич ҳисоб хужжатлари маълумотларини умумлаштириш, харажатларни бошқариш ва ҳисобга олишда ахборот-таҳлил маълумотлар базасини ўрганиш, кам харажатли юқори самарадор лойиҳаларни ишлаб чиқишнинг назарий ва амалий асосларини такомиллаштириш борасида тадқиқотлар олиб борилмоқда. Ушбу ҳолат танланган тадқиқот мавзуси доирасида мақсадли йўналишларни белгилаш учун асос бўлади.

**Тадқиқотнинг мақсади** корхоналарда даромадлар ва харажатлар ҳисобини такомиллаштириш юзасидан таклиф ва тавсияларни ишлаб чиқишдан иборат.

**Тадқиқотнинг вазифалари** сифатида қуйидагилар белгилаб олинган: корхоналарда даромадларни ҳисоб объекти сифатида тан олишни ўрганиш ва такомиллаштириш бўйича тавсиялар ишлаб чиқиш;

даромадларни таркибий структурасини такомиллаштириш бўйича тавсиялар бериш;

корхоналарда харажатлар ҳисобини такомиллаштириш орқали таннархни пасайтиришга, даромадларни оширишни таъминлаш бўйича таклифлар бериш;

даромадлар ва харажатларни ҳисобга олиш билан боғлиқ меъёрий-ҳуқуқий хужжатларни такомиллаштириш бўйича таклифлар бериш;

даромадлар ва харажатлар ҳисоб-ахборот таъминотини такомиллаштириш бўйича тавсиялар шакллантириш;

харажатларни таркибий структурасини такомиллаштириш бўйича тавсиялар бериш;

**Тадқиқотнинг объекти** сифатида корхоналарда ташкил этилган бухгалтерия ҳисоби ва ҳисоботи, даромадлар ва харажатлар олинган.

**Тадқиқотнинг предмети** корхоналарда даромадлар ва харажатлар



ҳисобини юритишни такомиллаштириш жараёнида вужудга келадиган иқтисодий муносабатлардан иборат. Даромадлар ва харажатлар ҳисобини такомиллаштириш билан боғлиқ муаммоларни баъзи назарий, ташкилий ва методологик жиҳатлари хорижлик иқтисодчи олимлардан: Хусусан:

Н.Н.Макрушина “Корхонада харажатларни оптималлаштириш” номли илмий мақоласида Россия корхоналари харажатларнинг назоратсиз ўсиши, уни бартараф етиш учун оптималлаштириш зарурияти, харажатларни тежаш учун мақсадли дастурларни ишлаб чиқиш, ушбу дастурнинг аҳамияти шунингдек, ишлаб чиқариш ва хизмат кўрсатиш соҳаларида харажатларни тежашнинг илғор усуллари таклиф ва хулосаларини бериб, харажатларни оптималлаштиришга ҳаракат қилган.<sup>1</sup>

Татьяна Сергеевна Казуева Корхона даромадлари ва харажатларини бошқариш, Ж.Клук, Б.Эллот, А.Фридман, Л.В.Эйхлер, А.Д.Шермет, С.Стринковская, О.С.Булко, О.Г.Томоревская, Н.В.Симкова, А.В.Малева, О.Ф. Ермишина, Боровкова И.Н Корхона даромад ва харажатларнинг ҳисоби. Масалан, шарқ олимлари Ибн Ҳалдун, Ал - Фаробий асарларида давлат харажатлари ва унинг моҳияти кўрсатилган. Классик иқтисодий назария асосчилари У.Петти, А.Смит, Д.Рикардо томонидан давлат бюджети даромадлари шаклланишида солиқ тизимининг ўрни ва вазифалари ёритилган. Улар давлатни иқтисодиётга минимал иштироки тарафдорлари бўлиб, давлатнинг асосий вазифалари мудофаа ва ижтимоий масалалар деб белгилаганлар.

Бу борадаги айрим масалалар республикамиз олимларидан: М.Қ.Пардаев, А.А.Каримов, М.М.Тўлахўжаева, А.К.Ибрагимов, И.Н.Исманов, З.Н.Қурбанов, Б.К.Хамдамов, А.Ж.Тўйчиев, Р.Д.Дўсмуратов, А.Х.Пардаев, Р.О.Холбеков, К.Б.Ўразов, А.И.Алиқулов, К.Р.Хотамов, Ф.Р.Исломов, Б.А.Ҳасанов, А.З.Авлоқулов, С.Н.Ташназаров, С.Қодирхонов, У.Т.Файзиева ва бошқаларнинг илмий ишларида ҳам ўрганилган.

Юқоридаги олимларнинг асарларида корхоналар фаолиятини назарий ва амалий ўрганиш жараёнида даромадлар ва харажатлар ҳисоби ҳамда

<sup>1</sup> Н.Н.Макрушина “Оптимизация затрат на предприятии” <https://cyberleninka.ru/article/n/optimizatsiya-zatrat-na-predpriyatii/viewer>





таҳлили бўйича кўплаб масалаларига алоҳида эътибор берилган лекин, илмий ва амалий тадқиқотлар натижасида ҳали тармоқда даромадлар ва харажатлар ҳисобини халқаро стандартлар асосида такомиллаштириш ҳамда кўрсатилган хизматлар таннархини пасайтириш имкониятлари мавжудлиги аниқланди. Мазкур ҳолат эса ҳозирги миллий иқтисодиётнинг етакчи тармоқларини модернизация ва диверсификация қилиш шароитида корхоналарда бухгалтерия ҳисобини такомиллаштириш борасида илмий тадқиқот ишларини олиб бориш заруратини белгилаб берди. Каримова Э.К. Ташкилотнинг бошқа даромадлари ва харажатларини ҳисобга олиш, Э.К. Каримова Замонавий иқтисодиётнинг долзарб масалалари. - 2019. - Но 2. - Б. 128-133

Бухгалтерия ҳисобини янада ислоҳ қилишнинг энг долзарб вазифаларидан бири тижорат ташкилотларининг даромадлари ва харажатларининг бухгалтерия ҳисоби ва солиқ ҳисобини тартибга солиш тизимини такомиллаштиришдан иборат.

Даромадлар ва харажатларни ҳисобга олишни тартибга солиш тизимининг катта аҳамияти шундаки, бозор иқтисодиёти шароитида ҳар бир тижорат корхонасининг мақсади фойда олиш, яъни у олган даромадни харажатлар миқдорига камайтиришдир. юзага келган.

Корхоналарнинг даромадлари ва харажатлари тўғрисидаги бухгалтерия ҳисоби маълумотларини илмий асосланган ҳолда шакллантириш нафақат фойдани аниқлаш учун асос бўлибгина қолмай, балки унинг фаолияти самарадорлигини ошириш, уни ошириш учун захираларни излаш ва сафарбар этиш, молиявий барқарорликни таъминлаш ва молиявий барқарорликни таъминлашда муҳим омил бўлиб хизмат қилади. давлат бюджетининг даромад қисмини шакллантиришнинг янада барқарор базасини яратиш керак<sup>2</sup> деб ҳисоблаган.

Йилнинг молиявий натижаси ва фойда тури йилни аниқлашга олиб келади. Тўғридан-тўғри таъсир қиладиган харажатларни самарали бошқариш зарурати ишлаб чиқарилган маҳсулот ва кўрсатилган хизматларнинг таннархи. Элементлардан бири сифатида ташкилотнинг

<sup>2</sup> Бухгалтерский и налоговый учет доходов и расходов коммерческих организаций  
О. П. Гладких, Ю. Г. Леонтьева



даромадлари ва харажатларини ҳисобга олишнинг аҳамияти бухгалтер ҳисобидир деб таъкидлаган<sup>3</sup>.

АҚШ, Германия, Франция каби ривожланган мамлакатлар солиқ тўловчиларнинг даромадларини аниқлашда, маълум бир даврдаги даромадлари мол-мулк ўсишини ҳисоблаш услуби орқали яъни қилган харажатлари орқали аниқланади. Солиқ органлари бу услуб орқали даромадларни аниқлашда, солиғи тўланган даромадлар ва солиқ тўланмаган даромадларга ажратилиб олинади. Солиғи тўланмаган даромадларни аниқлаш учун солиқ органлари солиқ тўловчиларнинг харажатларини аниқлаш орқали амалга оширади. Солиқ тўловчиларнинг харажатлари гуруҳларга, мулк эгаликка ўтказилиши бўйича харажатлар, кундалик эҳтиёжлар учун сарфланган харажатлар (статистика маълумотларига асосан ҳисоб китоб қилинади), қарзларни сўндиришга қаратилган харажатлар ва бошқа операциялар бўйича қилинган харажатлар ўрганилиб, солиқ тўловчи ҳақидаги маълумотлар тўпланилиб, таҳлил қилинади. Солиқ органлари солиқ тўловчилар томонидан мол-мулк сотиб олинishiга, қимматбаҳо маҳсулотлар сотиб олинishiга, кредит, солиқ ва суғурта бўйича тўловлари миқдорига эътибор қаратади. Солиқ тўловчиларнинг харажатларини ва жамғармаларидаги ўсишни аниқлаш орқали уларнинг ҳақиқатда маълум бир давр оралиғида топган даромадларини аниқлаш имкониятига эга бўлинади. Юқори истеъмол солиқ тўловчи томонидан даромадларни яширганлигидан, кам истеъмол эса декларацияда кўрсатилмаган мулк шаклидаги даромадлар мавжудлигидан далолат беради (Попонова, 2009).

### Хулоса

Даромад ва харажатлар ҳисоби бюджетлаштириш молиявий моделининг муҳим элементи ҳисобланади. Даромад ва харажатлар ҳисоби ёрдамида корхона фаолияти самарадорлигини аниқлаш мумкин. Шу боисдан даромад ва харажатлар суммаларини уларнинг операцион бюджетлар даромад ва харажатлари билан боғлиқликда текшириш керак.

Дарвоқе, даромад ва харажатларни консолидациялаш учун талаб этиладиган асосий ахборотлар функционал ва инвестицион бюджетларни

<sup>3</sup> Доходы и прибыль на счет бухгалтерского учета Семенова Фатима, Зулкарнаевна Канаматова Залина Олеговна





тузиш жараёнида тайёрланиши керак.

Даромад ва харажатлар моделини тузишда асосий муаммолардан бири харажатлар қисмининг шаклланиш методикасига боғлиқ. Бунда асосий эътибор маҳсулот таннархига қаратилиши керак, чунки маҳсулот таннархи аввало даромад ва харажатлар бюджетида фойда суммасига таъсир қилади, шунингдек бухгалтерия балансида захиралар ва тайёр маҳсулот қийматига таъсир қилади.

Харажатлар тўғрисидаги бошқа маълумотлар ҳам эътибордан четда қолмаслиги керак. Яъни даромад ва харажатлар бюджетига корхонанинг барча харажатлари киритилиши керак. Харажатлар тўғрисидаги маълумотларнинг тўлиқ акс эътирилмаслиги корхона фаолиятининг ҳақиқий ҳолати хусусида нотўғри маълумотлар шаклланишига олиб келади. Бундан ташқари даромад ва харажатлар бюджетига маълумотлар фақат функционал бюджетлар маълумотларидан эмас, балки инвестицион лойиҳалар бюджетларидан ҳам шаклланади.

Масалан, корхона фаолиятини кенгайтириш мақсадида лойиҳалаш харажатларини даромад ва харажатлар бюджетига киритилмаслиги оқибатида, жорий даврда корхонанинг фойдаси ошишига олиб келади. Яна шундай ҳолатлар ҳам бўладики, корхона қиммат турадиган асосий воситасини сотиши орқали фойда миқдори кескин ошиб кетиши мумкин. Корхона раҳбарияти фойданинг кескин ошиб кетиши сабабларига эътибор қаратиши учун даромад ва харажатлар бюджети натижаларини чуқур таҳлил қилиши керак.

---

# Research Science and Innovation House

### Фойдаланилган адабиётлар рўйхати.

1. Калонов М.Б. Даромадлар ва харажатлар ҳисоби услубиётини такомиллаштириш. Монография. – Т.: Iqtisod-moliya, 2019 йил. 254-б.
2. Kalonov M.B. Improving the organization of accounting and cost analysis of provision of cars. // Omics Publishing Management Journals. Илмий журнал, 2018 йил. 128-129 бетлар.
3. Калонов М.Б. Ҳисоб юритиш орқали харажатларни оптималлаштириш йўллари. // Иқтисодиёт ва таълим. Илмий журнал – Тошкент, 2018 йил 6-сон
4. К.Камолов. “Давр харажатларининг ҳисобини ташкил этиш ва унинг аҳамияти”, Т., “Янги Ўзбекистоннинг умидли ёшлари” 1(2)-сон. 28.03.2022 й.
5. Ўразов К.Б., Пўлатов М.Э., Бухгалтерия ҳисоби. –Т.: “Инновацион ривожланиш нашриёт-матбаа уйи”, 2020. 289-бет
6. Н.Н.Макрушина “Оптимизация затрат на предприятии” <https://cyberleninka.ru/article/n/optimizatsiya-zatrat-na-predpriyatii/viewer>
7. Ваҳобов А. В., Ибрагимов А. Т., Молиявий таҳлил. - Т.: “Ўзбекистон”, 2002. 82-бет.
8. Ўразов К.Б., Пўлатов М.Э., Бухгалтерия ҳисоби. –Т.: “Инновацион ривожланиш нашриёт-матбаа уйи”, 2020. 289-бет
9. Malikov T., Naydarov N. Byudjet daromadlari va harajatlari.–Т.: “Iqtisod-moliya”, 2007 у., 185-bet
10. Покудов А.В. Личные финансы. Секреты управления. М., 2006.

Research Science and  
Innovation House



## ENERGETIKA SOHASIDA VUJUDGA KELISHI MUMKIN BO‘LGAN XUFYONA IQTISODIYOTNING OLDINI OLIISH IMKONIYATLARI

**Ruzmatov B.SH.**

O‘zbekiston Respublikasi Jamoat xavfsizligi universiteti,  
Magistratura tinglovchisi

### ANNOTATSIYA

Maqolada, energetikaning rivojlanishida xufyona iqtisodiyotning vujudga kelishi va uning oldini olishdagi amaliy chora-tadbirlarning qay darajada ikanligi, O‘zbekistonning yoqilg‘i-energetika sohasida chet-el davlatlaridan xufyona iqtisodiyotga qarshi kurashishdagi tajribalari, energetikaga oid yangi islohotlar bosqichi, O‘zbekistonda yoqilg‘i-energetikaning samaradorligini oshirishda xufyona iqtisodiyotni qisqartirish yo‘llari bayon etilgan.

**Kalit so‘zlar:** xufyona iqtisodiyot, chet-el tajribasida xufyona iqtisodiyotga qarshi kurash, samardorlik, islohotlar bosqichi, dolzarblik, istiqbollar, istiqbolli islohotlar, energetikaga oid yangi bosqich.

O‘zbekiston o‘z energetik resurslari hisobidan o‘zining ehtiyojlarini to‘liq ta‘minlovchi mamlakatlar qatoriga kiradi. Markaziy Osiyo birlashgan energetika tizimidagi elektr energiyasi ishlab chiqarish quvvatlarining salmoqli hissasi respublikaga tegishlidir. Vazirlik energetika sohasida davlat boshqaruvi organi hisoblanadi. Elektr energiyasini ishlab chiqarish, uzatish, taqsimlash va iste‘mol qilishning texnologik jarayonining o‘ziga xosligi o‘zida “Issiqlik elektr stantsiyalari”, “O‘zbekiston Milliy elektr tarmoqlari” hamda “Hududiy elektr tarmoqlari” aktsiyadorlik jamiyatlarini o‘zida mujassamlashtirgan markazlashtirilgan boshqaruvni saqlashni talab qiladi. 2018-yilda “Issiqlik elektr stantsiyalari” AJ issiqlik elektr stantsiyalari tomoindan 56,3 mlrd. kVt elektr energiyasi ishlab chiqarildi, 7,3 mln. Gkal issiqlik energiyasi etkazib berildi va elektr stantsiyalarning umumiy belgilangan quvvati 14 ming MVtni tashkil etadi. “Issiqlik elektr stantsiyalari” AJ tasarrufidagi elektr energiyasini hosil qiluvchi korxonalaridan, umumiy uunligi 9,7 ming kilometrdan ortiq bo‘lgan 220-500 kV kuchlanishdagi magistral elektr tarmoqlari orqali “Hududiy elektr tarmoqlari”

AJ tasarrufidagi korxonalariga elektr energiyasini etkazib berish ishlari “O‘zbekiston Milliy elektr tarmoqlari” AJ tomonidan amalga oshiriladi.

Respublikada yakuniy iste‘molchilariga elektr energiyasini sotish “Hududiy elektr tarmoqlari” AJ tasarrufidagi, har bir hududiy tuzilmada aksionerlik jamiyati sifatida faoliyat ko‘rsatuvchi o‘n to‘rtta taqsimlovchi va sotuvchi hududiy elektr tarmoqlari korxonalari tomonidan amalga oshiriladi. Korxonalar balansida kuchlanishi 110 kVgacha bo‘lgan umumiy uzunligi 250,4 ming kilometrdan ortiq elektr tarmoqlari va 1700 ta podstantsiyalar mavjud. Respublika iste‘molchilarga elektr energiyasini etkazib berish asosan eng sertarmoq kuchlanishga ega 0,4-6-10 kVli, uzunligi 223,8 ming kilometrdan ortiq bo‘lgan elektr tarmoqlari orqali amalga oshiriladi. “Issiqlik elektr stantsiyalari”, “O‘zbekiston Milliy elektr tarmoqlari” hamda “Hududiy elektr tarmoqlari” aksiyadorlik jamiyatlari loyihalash, qurilish-montaj va sozlash ishlarini bajaruvchi hamda elektr stantsiyalari va tarmoqlarining asosiy va yordamchi uskunalari ta‘mirlash va ishlatish bilan shug‘ullanuvchi yagona ishlab chiqarish majmuasi hisoblanadi. Rivojlangan ishlab chiqarish bazasi va yuqori malakali xodimlarning mavjudligi elektr xo‘jaligi ob‘ektlarining yuqori darajada foydalanish imkonini beradi. O‘zbekiston Respublikasi Prezidentining O‘zbekiston Respublikasining elektr energetikasini yanada rivojlantirish va isloh qilish strategiyasi to‘g‘risidagi qaroriga muvofiq vazirlik tomonidan 2030 yilgacha bo‘lgan davrda ishlab chiqarish quvvatini rivojlantirish dasturi ishlab chiqilmoqda, bu umumiy quvvati 27 GVt bo‘lgan yangi energo bloklarini qurish bilan ishlab chiqarish quvvatini oshirish bo‘yicha umumiy qiymati 35 mlrd. AQSh dollariga teng bo‘lgan yirik investitsiya loyihalarini amalga oshirishni nazarda tutadi. Shu bilan birga issiqlik elektr stantsiyalaridagi ma‘nan va jismonan eskirgan umumiy quvvati 6,4 GVt bo‘lgan energo bloklar ekspluatatsiyadan chiqariladi<sup>1</sup>. Issiqlik energetikasi sohasidagi chora-tadbirlarning amalga oshirilishi energo bloklarning samaradorligi 60%ga teng yuqori samarali bug‘-gaz turbinali stantsiyalarga asoslangan zamonaviy energiya ishlab chiqarish texnologiyalarini joriy etishni ta‘minlaydi<sup>2</sup>.

---

<sup>1</sup> Rossiyaning yoqilg‘i-energetika kompleksi va energetika strategiyasi. <http://www.proatom.ru/modules/News&file=print&sid=583>.

<sup>2</sup> 187513-4-sonli “Yer qa‘ri to‘g‘risida” Federal qonuni.



Respublikada quvvati 2,4 GVt bo'lgan birinchi atom elektr stantsiyasini qurishga alohida e'tibor qaratilmoqda. “Yashil” iqtisodiyotga o'tish jarayonida zamonaviy, umumiy quvvati 6,7 GVt bo'lgan quyosh va shamol elektr stantsiyalarini yaratish elektr energetikasini rivojlantirishning ustuvor yo'nalishi hisoblanadi. Barqaror elektr energiyasini etkazib berish uchun umumiy qiymati 2,4 mlrd. AQSh dollariga teng bo'lgan 2,7 ming km uzunlikdagi 220-500 kV kuchlanishdagi elektr tarmoqlari hamda 9 ta yangi podstantsiyalarni qurish zarur usgbu sohani amalga oshirishda keraklicha xufyona iqtisodiyotni aralashtirmaslik bunga qarshi ta'sirchan choralar qullashlikni hayotning uzi taqoza etmoqda. Shu bilan birgalikda, umumiy qiymati 9,9 mlrd. AQSh dollariga teng bo'lgan mavjud 39,6 ming ta transformator podstantsiyalari va 140,9 ming km uzunlikdagi 0,4-10-35-110 kV kuchlanishdagi elektr tarmoqlarida rekonstruktsiya va yangilash ishlarini amalga oshirish zarur. Tabiiyki, elektroenergetikaga zarur investitsiyalarni faqat mavjud davlat energetika kompaniyalari mablag'lari hisobidan amalga oshirish mumkin emas va biz xususiy investitsiyalarni jalb qilishga e'tiborni qaratamiz.

Umumiy quvvati 15 GVt bo'lgan elektr stantsiyalarini qurilishi 17.3 mlrd. AQSh dollariga teng to'g'ridan –to'g'ri sarmoya hisobiga rejalashtirilgan. Barcha stantsiyalar to'g'ridan-to'g'ri sarmoyalar hisobiga quriladi, gidroelektrstantsiyalar, atom elektrostantsiyalari va bir nechta tartibga soluvchi elektr stantsiyalar bundan mustasno. Yoqilg'i-energetika kompleksining davlat tomonidan tartibga solinishidagi ijtimoiy-iqtisodiy rolga yetarlicha baho bermaslik aholining davlat hokimiyati institutlariga bo'lgan ishonchining zaiflashishiga olib keladi. Ammo bu ishonchni oshirishga qaratilgan shoshilinch sa'y-harakatlar davlat va biznes munosabatlarida keskinlikni keltirib chiqarmoqda. Bularning ikkalasi ham mamlakatdagi investitsion vaziyatning yomonlashishiga olib keladi va investitsion risklarni oshiradi. Bu yerda ekstremal holatlarga yo'l qo'ymaslik uchun yoqilg'i-energetika kompleksini davlat tomonidan tartibga solishning kontseptual asoslarini qayta ko'rib chiqish davlatimiz uchun dolzarb masalalardan biriga aylanishi zarur. Shu urinda barcha chora-tadbirlarimiz mamlakatimizning yoqilg'i-energetikaga bulgan extiyojlari makro iqtisodiyot tarmoqlarida energetika tejamkorligini oshirish uchun o'z navbatida chet el davlatlarining yoqilg'i-energetika sohasidagi tajribalariga asosan davlatimiz yoqilg'i-energetika sohasidagi imkoniyatlarni bevosita kengaytirishini ko'rishimiz mumkin.



Mamlakatning yoqilg‘i-energetika sohasidagi yangi bosqichlarini chet el davlatlarining ayniqsa revojlangan mamlakatlarning ilg‘or tajribalari asosida ushbu sohaning muhim tarmoqlari davlatning mikro va makro iqtisodiyot tizimlarida yoqilg‘i-energetikaga bo‘lgan talabni qondirishga erishilishini ko‘rishimiz mumkin. Shu boyis quyidagi bir qator xorij mamlakatlarini ilg‘or tajribalarini ko‘rib chiqishni maqsad qilindi.

### **Yoqilg‘i-energetika kompleksining Rossiya Federatsiyasi misolida**

Rossiya dunyodagi eng yirik yoqilg‘i-energetika resurslariga ega. Dunyodagi tasdiqlangan neft zahiralarning 13% ga yaqini va tabiiy gaz zahiralarning 34% i yer shari hududining 13% ga, ya‘ni dunyo aholisining 3% dan kamrog‘i istiqomat qiluvchi mamlakatda to‘plangan. Rossiyada birlamchi energiya manbalarining yillik ishlab chiqarilishi jahon ishlab chiqarishining 12% dan ortig‘ini tashkil qiladi. Bugungi kunda yoqilg‘i-energetika kompleksi Rossiya iqtisodiyotining eng muhim, barqaror ishlaydigan va jadal rivojlanayotgan sanoat komplekslaridan biridir. U yalpi ichki mahsulotning chorak qismini, sanoat ishlab chiqarishining uchdan bir qismini, federal byudjet daromadlarining qariyb yarmini, mamlakat eksporti va valyuta tushumini tashkil qiladi. Jahon bozorida neft narxining yuqoriligi tufayli ishlab chiqarish o‘sishi “Rossiyaning 2020-yilgacha bo‘lgan energetika strategiyasi” da belgilangan prognozdan oshib ketdi.

### **Yoqilg‘i-energetika kompleksining Qozog‘iston misolida**

Qozog‘istonning Ostona shahridagi Astana Solar korxonasi foydalanishning so‘nggi darajasi-fotoelektr modullarini yig‘ish amalga oshirilmoqda. Qozog‘istonning elektr uzatish liniyalari va taqsimlash tarmoqlari 3 qismga bo‘lingan: shimolda ikkita va janubda bittasi, ularning har biri biror tashqi energetika tizimi bilan bog‘langan. Bu tizimlar bir-biriga faqat bir liniya bilan ulanadi. Qozog‘iston Energetika vazirligi ma‘lumotiga ko‘ra bugungi kunda ikkinchi liniya qurilmoqda. Qozog‘istonda gaz iste‘moli barqaror o‘sib bormoqda. 2017-2021 yilga qadar u qariyb 5 milliard kubga o‘sdi. 2021-yil yakunlari bo‘yicha mamlakatning gazlashtirish darajasi 57,67 foizni tashkil etgan, ya‘ni 11 million kishi gazdan foydalanishga erishganini ko‘rishimiz mumkin<sup>3</sup>.

<sup>3</sup> Вероятнее всего, АЭС в Казахстане построят на побережье озера Балхаш-Минэнерго // EADaily, 24 мая 2022 год.





Xulosa o‘rnida aytishimiz mumkinki O‘zbekiston Respublikasida yoqilg‘i-energetika sohasini revojlantirishda xufyona iqtisodiyotni qisqartirish ushbu sohaga tegishli zarur mexanizmlar ishlab chiqish energetika sohasini raqamlashtirish, soliq organlariga entgratsiya qilish, barcha soha tarmoqlarini doimiy birlashtirishda xufyona iqtisodiyotdan xoli hududga aylantirish maqsadga muvofiq deb hisoblaymiz.

### FOYDALANILGAN ADABIYOTLAR RO‘YXATI:

1. Rossiyaning yoqilg‘i-energetika kompleksi va energetika strategiyasi. [http://www.proatom.ru/modules. News&file=print&sid=583](http://www.proatom.ru/modules.News&file=print&sid=583).
2. 187513-4-sonli “Yer qa’ri to‘g‘risida” Federal qonuni.
3. Вероятнее всего, АЭС в Казахстане построят на побережье озера Балхаш-Минэнерго // EADaily, 24 мая 2022 год.

---

# Research Science and Innovation House

## XALQARO HUQUQIY MUHITDA DAVLAT-XUSUSIY SHERIKLIK KONSEPSIYASINI RIVOJLANTIRISH

**Jamoat xavfsizligi universiteti magistratura tinglovchisi  
Jummayev Ma‘mur Nuritdinovich**

**Annotatsiya:** Ushbu maqolada Milliy gvardiya tizimida mamlakatlarda davlat-xususiy sherikligini rivojlantirish yo‘llari, xalqaro tashkilotlar tomonidan ushbu mexanizmni amalga oshirish chora-tadbirlari va xorijiy olimlarning ushbu mexanizm bo‘yicha olib borgan tadqiqotlari hamda ularni O‘zbekistonda xususan Milliy gvardiya tizimida qo‘llash imkoniyatlari to‘g‘risida ilmiy fikr-mulohazalar yuritilgan.

**Kalit so‘zlar:** Milliy gvardiya, davlat-xususiy sherikligi, loyiha portfeli, xususiy sektor, investitsiyalar, xalqaro moliya va donorlik tashkilotlari.

**Annotation:** this article provides scientific feedback on ways to develop public-private partnerships in countries of the world, measures to implement this mechanism by international organizations and the research of foreign scientists on this mechanism, as well as the possibility of their use in Uzbekistan in the National Guard system in particular.

**Keywords:** National Guard, Public-Private Partnership, Project portfolio, private sector, investments, international finance and donor organizations.

**Аннотация:** В данной статье даны научные рассуждения о путях развития государственно-частного партнерства в странах мира, мерах по реализации данного механизма международными организациями и исследованиях зарубежных ученых по данному механизму, а также о возможностях их применения в Узбекистане, в частности, в системе национальной гвардии.

**Ключевые слова:** Национальная гвардия, государственно-частное партнерство, портфель проектов, частный сектор, инвестиции, международные финансы и донорские организации.

Maqolada xalqaro miqyosda davlat-xususiy sheriklikni (DXSH) kontseptsiyalash va shakllantirishning asosiy jihatlari va bosqichlari tahlil qilinadi.



Xalqaro tashkilotlarning DXSHni rivojlantirishga mavjud yondashuvlari orasida DXSH kontseptsiyasini BMTning barqaror rivojlanish maqsadlari (BRM) bilan birlashtirgan yondashuv mavjud. Bunga qiziqish ushbu yo‘nalishdagi ko‘plab xalqaro tashkilotlar faoliyatining sezilarli darajada faollashishi bilan bog‘liq. Agar xorijiy doktrinada DXSH ijtimoiy qiymatini sinab ko‘rish orqali “pul uchun eng yaxshi qiymat” (pul uchun qiymat)ga asoslangan DXSH kontseptsiyasini takomillashtirish bo‘yicha so‘rov hali shakllanmagan bo‘lsa, unda xalqaro tashkilotlarning yondashuvlarida allaqachon “aholi uchun qiymat” ga asoslangan DXSH yangi formati taklif qilingan (odamlar uchun qiymat). Taklif etilayotgan transformatsiya DXSH kontseptsiyasi uchun evolyutsiyami yoki BRMni qo‘llab-quvvatlash uchun DXSHni ommalashtirishning keng ko‘lamli kompaniyasidan boshqa narsa emasmi? Bu savolga javob topish va uning argumenti maqolaning maqsadi. DXSH xalqaro standartlarini tahlil qilish asosida “DXSH odamlar manfaati uchun” (People-first Public-Private Partnerships) kontseptsiyasining asosiy elementlari va maqsadli sozlamalarini ochib berishga harakat qilinadi. Uning bir qator davlatlarning milliy Qonunchilik asoslari va DXSH amaliyotida amaliy namoyon bo‘lishining ayrim misollari keltirilgan. Maqolada, shuningdek, BRM va “DXSH odamlar manfaati uchun” kontseptsiyasi o‘rtasidagi munosabatlarni nafaqat uning mafkurasi nuqtai nazaridan, balki “DXSH odamlar manfaati uchun” kontseptsiyasi doirasida shakllanadigan huquqiy munosabatlar nuqtai nazaridan ham tanqidiy tahlil qilinadi.

Kalit so‘zlar: davlat-xususiy sheriklik, barqaror rivojlanish maqsadlari, odamlar manfaati, inson huquqlari, xalqaro standartlar, xalqaro tashkilotlar.

### **Kirish**

Davlat-xususiy sheriklik konsepsiyasi (keyingi o‘rinlarda DXSH deb yuritiladi) 1990 - yillarning boshida, ayrim mamlakatlarda muvaffaqiyatli joriy etilganidan ko‘p o‘tmay, xalqaro tashkilotlarning diqqat markazida bo‘ldi. Xalqaro miqyosda DXSH infratuzilmani rivojlantirish, byudjet cheklovlarini bartaraf etish vositasi, davlat boshqaruvining yangi uslubi sifatida ilgari surildi. Vaqt o‘tishi bilan ushbu sifatda DXSH rivojlanishi 50 dan ortiq xalqaro tashkilotlar uchun muhim faoliyat yo‘nalishiga aylandi, ular DXSH, institutsional qo‘llab-quvvatlash, tashkilot sohasida tavsiyalar va ko‘rsatmalar ishlab chiqish orqali forumlar amalga oshirildi, DXSH sohasidagi vakolatlarni shakllantirish, tarmoq tadqiqotlarini o‘tkazish, DXSHning eng yaxshi amaliyotlarini ko‘rib chiqish va tarqatish, DXSH ma'lumotlar

bazalarini yaratish, DXSH loyihalarini moliyalashtirish va hatto DXSH loyihalarida yuzaga keladigan nizolarni hal qilish va boshqalar. yaqinda DXSH xalqaro miqyosda Birlashgan Millatlar Tashkilotining (bundan buyon matnda BMT deb yuritiladi) barqaror rivojlanish maqsadlariga (bundan buyon matnda BRM deb yuritiladi) erishish kontekstida ko‘rib chiqilmoqda. BMT Bosh Assambleyasining 2015-yil 25-sentyabrdagi A/RES/70/1-sonli “dunyomizni o‘zgartirish: BMTning 2030-yilgacha bo‘lgan barqaror rivojlanish kun tartibi”<sup>1</sup> (“kun tartibi-2030”) qarorida.

DXSH BRMga erishishning asosiy vositalaridan biri sifatida ko‘rsatilgan. Afsuski, ushbu xalqaro AKTni yanada ko‘proq o‘qish va DXSH bo‘yicha akademik tadqiqotlar va milliy qonunchilikni ko‘rib chiqish DXSH BRMga qanday hissa qo‘shishi mumkinligiga etarlicha oydinlik kiritmaydi. Zamonaviy doktrina va aksariyat milliy qonun hujjatlari DXSHni davlat xizmatlarining mavjudligi va sifatini yaxshilash uchun davlat infratuzilmasi ob'ektlarini yaratish va ulardan foydalanish maqsadida amalga oshiriladigan resurslarni birlashtirish va xavflarni taqsimlashga asoslangan davlat va xususiy biznesning o‘zaro ta'siri sifatida izohlaydi, bu erda uning asosiy afzalliklari yaxshiroq “pul qiymati” va iqtisodiy samaradorlik (pul qiymati) bilan ta'minlanadi. Shu bilan birga, BRMlar nafaqat iqtisodiy natijalarga qaratilgan. Ular umuman barqaror rivojlanish mafkurasini aks ettiradi va iqtisodiy, ijtimoiy va ekologik ustuvorliklardan tashqari, odamlarning manfaatlari va huquqlarini birinchi o‘ringa olib chiqadi. Ushbu dilemmani hal qilish uchun xalqaro tashkilotlar davlat va biznesning o‘zaro ta'sirini BRMga erishish va eng muhim xalqaro muammolarni hal qilishga moslashtirish uchun DXSH kontseptsiyasini o‘zgartirishni boshladilar. Ularning hozirgi bosqichdagi faoliyati xalqaro standartlar<sup>2</sup> va yo‘riqnomalarda aks ettirilgan<sup>3</sup>. Ular DXSH kontseptsiyasining evolyutsion rivojlanishi uchun huquqiy platformaga aylanganmi

<sup>1</sup> UN General Assembly. Transforming our world: the 2030 Agenda for Sustainable Development, 21 October 2015, A/RES/70/1. Дата обращения 20 апреля, 2019. <https://www.refworld.org/docid/57b6e3e44.html>.

<sup>2</sup> UNECE Standards on DXSHs. 2018. Дата обращения 20 апреля, 2019. <https://www.unece.org/DXSH/standards.html>.

<sup>3</sup> UNECE, Guiding Principles on People-first Public-Private Partnerships in support of the United Nations Sustainable Development Goals, 21 January 2019, ECE/CECI/2019/5. Дата обращения 20 апреля, 2019. [http://www.unece.org/fileadmin/DAM/ceci/documents/2019/CICDXSH/Official\\_documents/ECE\\_CECI\\_2019\\_05-en.pdf](http://www.unece.org/fileadmin/DAM/ceci/documents/2019/CICDXSH/Official_documents/ECE_CECI_2019_05-en.pdf).



yoki hozircha bu DXSHga yangi yondashuvni shakllantirish va uning samaradorligini baholash uchun zarur shartlarmi yoki BRMni qo'llab-quvvatlash uchun DXSHni ommalashtirishning keng ko'lamlı kampaniyasidan boshqa narsa emasmi?

### **Tadqiqotning maqsadi**

Xalqaro huquqiy muhitda DXSH kontsepsiyasining rivojlanish yo'lini ochib berishni maqsad qilib, DXSHni nazariy jihatdan ko'rib chiqmasdan turib, tadqiqot o'tkazish mumkin emas. Ushbu masala bo'yicha xorijiy va mahalliy ilmiy ishlarni tahlil qilish, birinchi navbatda, DXSH tushunchasi keng va tor yondashuvlar doirasida shakllangan, ikkinchidan, fanlararo kategoriya degan xulosaga olib keladi. DXSHga keng yondashuv shundan iboratki, uning asosida davlat organlari va biznes o'rtasidagi o'zaro manfaatli sharoitlarda ijtimoiy ahamiyatga ega muammolarni hal qilish uchun o'zaro munosabatlarning har qanday shakli, uni amalga oshirish shartlari, protseduralari va ushbu o'zaro ta'sirni rasmiylashtirish darajasidan qat'i nazar, DXSHga tenglashtiriladi (Savas 2000, 105; Sivakov 2014, 214). Shu sababli, DXSHga keng yondashuv uning mafkurachilari va tarafdorlariga davlat xaridlari, ijara munosabatlari, xususiylashtirish, maxsus iqtisodiy zonalar, tovarlar ishlab chiqarish va xizmatlar ko'rsatish bo'yicha har qanday shartnomalar kabi uzoq vaqtdan beri va taniqli toifalarni DXSH sifatida talqin qilishga imkon beradi (Sivakov 2014, 214; Usmonova 2018, 55). Ushbu yondashuv mutlaqo to'g'ri ko'rinmaydi, chunki uning mohiyati iqtisodiy va huquqiy nazariyada allaqachon o'rnatilgan boshqalar bilan aniqlangan bo'lsa, nima uchun DXSH haqida mustaqil kategoriya sifatida gapirish kerakligi aniq emas (Varnavskiy 2019). Bundan tashqari, bizning fikrimizcha, keng yondashuv DXSHning “xususiy moliyalashtirishni jalb qilish va xususiy biznesga an'anaviy ravishda davlat organlari tomonidan amalga oshiriladigan funktsiyalarni jamoat infratuzilmasi ob'ektlarini qurish, ishlatish va boshqarish, shuningdek xususiy sektorga ushbu loyihalar bilan bog'liq xatarlarni qisman yoki to'liq o'tkazish asosiy rejasiga zid keladi,”<sup>4</sup>. Hozirgi vaqtda ilmiy adabiyotlarda DXSH tushunchasiga tor yondashuv ustunlik qilmoqda. Uning asosida DXSHga nisbatan aniq talablar va mezonlar shakllantirilgan bo'lib,

<sup>4</sup> The Private Finance Initiative (PFI): Research Paper 01/117. 18 December 2001, Economic Policy and Statistics Section House of Commons Library. Дата обращения 20 апреля, 2019. <https://commonslibrary.parliament.uk/research-briefings/rp01-117>.



ular davlat va biznes o'rtasidagi o'zaro munosabatlarning ushbu shakliga mos kelishi kerak. Bu erda DXSH juda aniq modellarga ega va odatda ma'lum bir infratuzilma loyahasiga nisbatan amalga oshiriladi. Shu bilan birga, DXSH tushunchasi va asosiy xususiyatlari, hatto tor yondashuv doirasida ham, tegishli ilmiy tadqiqot muallifi qaysi fan sohasi yoki ilmiy yo'nalish vakili bo'lishiga qarab bir xil tavsiflanmaydi.

D.Delmon, DXSH haqida davlat va xususiy tomonlar o'rtasida infratuzilma xizmatlarini ishlab chiqarish va taqdim etish bo'yicha kelishuv sifatida gapirganda, uning asosiy ma'nosi qo'shimcha xususiy investitsiyalardan foydalanish imkoniyatini ko'rib chiqadi va DXSH qiymatini byudjetni moliyalashtirish samaradorligini oshirish vositasi sifatida ta'kidlaydi (Delmon 2010, 7). M. Jerar DXSHni birinchi navbatda davlat xizmatlari va davlat sektori aktivlarini yaxshilash usuli sifatida izohlaydi. Davlat xizmatlari natijalariga e'tibor qaratgan holda, DXSH, uning fikriga ko'ra, davlat xizmatlarida, loyihaning an'anaviy amalga oshirilishida bo'lgani kabi, ushbu xizmatlarni taqdim etish jarayonida emas, balki “chiqish” (chiqishga asoslangan yondashuv) talablarini belgilash “kirish” talablari o'rnatilgan davlat (kirishga asoslangan yondashuv) (Gerrard 2001, 49). D. Grimsey va M. Lyuis DXSH kontseptsiyasini tasvirlab, DXSH davlat organlari uchun loyihalash, qurish, ekspluatatsiya qilish xavfini kamaytirishi va, ehtimol, DXSH ob'ektining qiymatini oshirish xavfini kamaytirishi mumkinligiga e'tibor qaratdi. xususiy sherik tomonidan xizmatlar ko'rsatilmasa yoki ular ilgari kelishilgan standartlarga javob bermasa, davlat to'lovlari amalga oshirilmaydi.

Huquqiy tadqiqotlarda DXSH kontseptsiyasining talqini ham xilma-xildir. A. V. Belitskaya DXSHNI davlat ishtirokidagi investitsiya faoliyatining bir turi sifatida tavsiflaydi (Belitskaya 2017, 43). Bundan tashqari, u aralash investitsiyalarni DXSHning asosi sifatida ta'kidlaydi (Belitskaya 2012, 14). K. A. Makarevich DXSHni davlat infratuzilmasi va davlat xizmatlari sohasida davlat boshqaruvi sifatini oshirishga qaratilgan, tegishli sohalaridagi muammolarni moliyaviy va boshqa resurslarni, xatarlarni va javobgarlikni taqsimlash printsiplari bo'yicha turli xil shartnoma shakllarida hal qilish uchun xususiy sektorni jalb qilish asosida qonun bilan tartibga solinadigan faoliyat orqali belgilaydi (Makarevich 2013, 29), va V.F.Popondopulo - jamoat sherigi transport infratuzilmasi, uy-joy kommunal xo'jaligi infratuzilmasi, sport inshootlari, maktablar, kasalxonalar kabi ijtimoiy infratuzilma ob'ektlarini qurish, ishlatish, rekonstruktsiya qilish va boshqarishni



qisman yoki to‘liq moliyalashtirish funktsiyalarini xususiy sherikga topshiradigan jamoat va xususiy sheriklar shartnomasi sifatida (Popondopulo, Sheveleva 2015, 1). N.G.Doronina va N.G.Semilutinaning fikriga ko‘ra, DXSHning ma‘nosi shundaki, boshqaruv organi bilan konsessiya shartnomasini tuzgan xususiy tadbirkorlar boshqa tomonning ushbu harakatlarni amalga oshirishga ko‘maklashish va konsessiya shartnomasi shartlariga rioya qilish majburiyati evaziga turli xil huquqiy harakatlarni amalga oshirishga majburdirlar. loyihani amalga oshirish. Shunday qilib, DXSH to‘g‘risidagi fuqarolik-huquqiy shartnoma butun jamiyat manfaatlariga bo‘ysunadigan xususiy shaxs faoliyatini tashkil etish usuliga aylanadi (Doronina, Semilutina 2011, 73). Xalqaro huquq nuqtai nazaridan DXSH tadqiqotlari hozirgacha o‘tkazilmagan.

Ilmiy manbalarning tahlili shuni ko‘rsatadiki, DXSH tabiatini o‘rganish orqali fan va ilmiy sohalarning turli sohalari vakillari, garchi ular uni turli toifalar orqali aniqlasalar ham, DXSH ning moliyaviy, investitsion, boshqaruv, innovatsion, huquqiy xususiyatlariga e‘tibor berishadi. shunga qaramay, DXSH ning asosiy maqsadini foydalanish samaradorligini oshirishning moliyaviy vositasiga kamaytiradi davlat sektori resurslari va DXSHning afzalliklari faqat iqtisodiy ko‘rsatkichlar bilan bog‘liq, ammo ijtimoiy emas. Bu, bizning fikrimizcha, DXSH kontseptsiyasini qashshoqlashtiradi va uning salohiyatini past baholashga olib keladi.

Bunday holat DXSH va uning samaradorligiga mavjud yondashuv DXSH loyihasining rentabelligi va xarajatlarni optimallashtirish asosida hisoblangan “investitsiya qilingan daromad”, “pul uchun maqbul qiymat” (Pitt, Collins, Walls 2006) muvofiqlik darajasini ko‘rsatadigan pul qiymati (VFM) kontseptsiyasiga asoslanganligi bilan bog‘liq bo‘lishi mumkin moliyaviy sohadagi ta‘sir va DXSH ishtirokchilarining xarajatlari va daromadlarining moliyaviy oqimlarini tahlil qilish orqali aniqlanadi.

Biroq, muammoning zamonaviy ilmiy nuqtai nazari DXSH samaradorligini ancha kengroq baholash mumkinligiga olib keladi (Jeffares, Sullivan, Bovaird 2013) va DXSH ning bunday baholash uchun ijtimoiy qiymati juda muhimdir (Boardman, Hellowell 2016). Xorijiy tadqiqotchilar tomonidan DXSH bo‘yicha tegishli tadqiqotlarni ko‘rib chiqish quyidagi tezislarga uchun empirik asos bo‘ldi: “VFM tahlili faqat iqtisodiy ta‘silarga qaratilgan bo‘lib, infratuzilmani rivojlantirishning uzoq muddatli ijtimoiy oqibatlarini aks ettira olmadi”; “DXSH ijtimoiy qiymatini

bunday muhim baholash DXSH loyihalarini ishlab chiqishda kamdan-kam hollarda amalga oshiriladi va akademik tadqiqotlarda kam yoritiladi”; “DXSH loyihasini tanlashdan oldin ijtimoiy ta'sirni ko'rib chiqish va baholash kerak” (Cui va boshq. 2018, 776). Ilmiy adabiyotlarda VfM kontseptsiyasini qayta ko'rib chiqish yoki takomillashtirish bo'yicha murojaatlar tobora ko'payib bormoqda, chunki uning kengayishi va DXSH yaratadigan nafaqat iqtisodiy, balki ijtimoiy qiymatni yanada kengroq va aniqroq baholash DXSH kontseptual asoslarini sezilarli darajada yaxshilashi mumkin. Buni DXSH tadqiqotlari mualliflari barqaror rivojlanish bilan bog'liq holda payqashdi. Ularning fikriga ko'ra, hozirgi amaliyot hali Vfmdan tashqariga chiqmagan bo'lsa-da, shunga qaramay, ekologik va ijtimoiy ko'rsatkichlar DXSH kontseptsiyasiga kiritilishi kerak; barqaror rivojlanish maqsadlariga erishish uchun DXSH ijtimoiy parametrlarini kiritish va ularni ko'rib chiqish orqali VfM bahosini kengaytirish kerak. BRM doirasidagi ijtimoiy, ekologik va iqtisodiy taraqqiyot bilan bog'liq jihatlarni hisobga olgan holda DXSHNI baholashning yangi kontseptual modeli zarur.

Shunday qilib, ta'sirlangan DXSH muammolari bo'yicha zamonaviy tadqiqotlarni ko'rib chiqish yana bir kuzatuvga olib keladi, xorijiy doktrinada VfM kontseptsiyasini takomillashtirish va uning tarkibiy qismlarini qayta ko'rib chiqish so'rovi shakllantiriladi; BRM va DXSHning ijtimoiy ahamiyati unda muhim o'rin tutadi.

Ushbu muammoni tushunish va uni muvaffaqiyatli hal qilish faqat DXSH ijtimoiy qiymatining xususiyatlarini bilish sharti bilan mumkin, ammo ushbu muammoni hal qiladigan tadqiqotlar soni juda cheklangan. A. Reynars DXSHning ijtimoiy qiymatini DXSH doirasidagi javobgarlik, shaffoflik, javob berish tezligi, javobgarlik, faoliyat sifati bilan bog'laydi. M. Xaskesning fikriga ko'ra, DXSH loyihasidan jamiyat uchun ijtimoiy qiymat mavjudlik, kamsitishning oldini olish, ijtimoiy birdamlikni rag'batlantirish, inson huquqlarini ta'minlashni o'z ichiga oladi. N. Koduel, D. Rerich, D. Jorj DXSH ning ijtimoiy qadriyatlarini ijtimoiy ob'ektlarni yaratishda ham, xizmat ko'rsatishda ham operatsion samaradorlikda ham farq qilishi mumkin deb hisoblashadi. Belgilangan yondashuvlar asosida DXSH ning ijtimoiy qiymatini tushunish yanada muhimroq bo'ladi: u infratuzilma ob'ektlarini yaratish natijalarini qamrab oladi, ularning faoliyati orqali aholiga yangi xizmatlar ko'rsatiladi yoki mavjud xizmatlarning samaradorligi oshadi (ularning narxini pasaytirish, sifatini oshirish, etkazib berishning uzluksiz ishlashini ta'minlash, ularga



kirish huquqiga ega bo‘lgan aholi doirasini kengaytirish orqali). BRM maqsadlariga erishish va inson huquqlarini amalga oshirishdan kelib chiqadigan infratuzilma natijalari.

### Xulosa

Yuqoridagilarni tasvirlash uchun biz DXSHning nufuzli tadqiqotchilaridan biri, professor G.Xodj va uning hammualliflarining bayonotlariga murojaat qilamiz. Ularning fikriga ko‘ra, yagona global DXSH yo‘qligi va yo‘qligi aniq bo‘lib bormoqda, vaqt o‘tishi bilan u o‘zgaradi va yaxshilanadi. Bu DXSHni tushunish va baholashga qiziquvchilar uchun harakatlanuvchi maqsadga olib keldi. Demokratiya yoki san‘at singari, DXSH ham “muhim bahsli tushunchadir” (Hodge, Greve, Biygautane 2018, 1108).

Tadqiqot shuni ko‘rsatdiki, agar dastlab xalqaro huquqiy muhitda DXSH kontseptsiyasining shakllanishi doktrinaga o‘xshash sharoitlarda amalga oshirilgan bo‘lsa, unda uning keyingi rivojlanishi nazariy darajada mavjud bo‘lganlardan sezilarli darajada oshib ketgan natijalarga olib keldi. Hozircha xorijiy ilmiy adabiyotlarda DXSHning kontseptual asoslari va asosiy vositalarini uning ijtimoiy qiymatini oshirish va BRM bilan munosabatlarni o‘rnatish uchun o‘zgartirish so‘rovi shakllantirilmoqda. Ammo xalqaro tashkilotlarning yondashuvlari allaqachon amaliy echimlar uchun asos yaratmoqda va ehtimol biz DXSHning bosqichma-bosqich sifatli o‘zgarishi va uning “kun tartibi-2030”ga moslashishiga guvoh bo‘lamiz. Unda bunga turtki bo‘lgan motivlar yotadi. Yangilangan DXSH kontseptsiyasi BMT tizimidagi tashkilotlarning “DXSH odamlar manfaati uchun” yondashuvida keltirilgan. Uning asosiy elementlari EEC standartlari va boshqaruv hujjatlarida aks ettirilgan bo‘lib, unga ko‘ra DXSH odamlar manfaati uchun BRM bilan bog‘liq mahsulotlar va natijalarni olishga qaratilgan. Aholining sifatli davlat xizmatlaridan foydalanish imkoniyatini kengaytirish va aholini zarur resurslar (oziq-ovqat, suv, energiya, transport va ta‘lim) bilan ta‘minlash bo‘yicha an‘anaviy natijalarga qo‘shimcha ravishda, DXSH loyihalari ham davlatlar milliy ko‘rsatkichlarining o‘shirishini ta‘minlaydi: aholi farovonligi; oziq-ovqat xavfsizligi va qishloq xo‘jaligining barqaror rivojlanishi; umr ko‘rish davomiyligi; talab qilinadigan kasbiy va texnik ko‘nikmalarga ega bo‘lgan aholi soni; aholining, shu jumladan yoshlarning va aholining himoyalangan toifalarining ishlab chiqarish bandligini ta‘minlash; energiya samaradorligi; axborot-kommunikatsiya va innovatsion texnologiyalardan foydalanish; atrof-muhitning qulay holati va



boshqalar, DXSH odamlar manfaati uchun loyihalari xalqaro huquqda belgilangan irq, etnik kelib chiqishi, e'tiqodi, madaniyati va jinsi bo'yicha kamsitishning oldini olish tamoyillariga asoslanadi. Bunday loyihalarning asosiy benefitsiari aholi bo'lib, ularning tuzilishida aholining ehtiyojlari hisobga olinadi. Nafaqat texnik-iqtisodiy, balki ijtimoiy va ekologik ko'rsatkichlar ham DXSH loyihalarining to'lov mexanizmlarida odamlar manfaati uchun ishlatiladi. Va bunday loyihalarning samaradorligini baholashda pul qiymatining moliyaviy-iqtisodiy jihatlari o'z ahamiyatini yo'qotmasa ham, davlat va xususiy sheriklarning manfaatlarini qondirish aholining ehtiyojlarini qondirish va odamlar uchun qiymatni baholash doirasida BRMga erishish bilan muvozanatlashadi.

Bizning fikrimizcha, yangilangan formatda DXSH kontseptsiyasi DXSH loyihalari BRMga erishish uchun mos vosita ekanligi to'g'risida savol tug'dirganda, unga ijobiy javob berishga qodir. Biroq, bu DXSH kontseptsiyasini yangilash jarayoni allaqachon amalga oshirilgan va tugallangan degani emas. Xuddi shunday, bu pul qiymati anaxronizmga aylandi va uni qo'llash mumkin emas degani emas. Kelajakda ularning qo'shma yoki muqobil qo'llanilishi ko'rinadi.

#### Foydalanilgan adabiyotlar:

1. Белицкая, Анна В. 2022. Правовое регулирование государственно-частного партнерства. М.: Статут.
2. Белицкая, Анна В. 2017. «Государство как участник и регулятор инвестиционных отношений в рамках государственно-частного партнерства». Бизнес, менеджмент и право 1–2: 42–46.
3. Варнавский, Владимир Г. 2019. «Место и роль государственно-частного партнерства в системе экономических категорий: попытка системного анализа». Государственно-частное партнерство в условиях кризиса: материалы научно-практической конференции, 30–31. М.: ИЭ РАН.
4. Дерябина, Марина А. 2021. «ГЧП в сфере общественных благ: опыт России». Наука и инновации 11 (105): 24–26.
5. Доронина, Наталья Г., Семилютин Наталья Г. 2021. Международное частное право и инвестиции: науч.-практ. исслед. М.: Контракт; Волтерс Клувер.
6. Maslova, Svetlana. 2019. “Achieving Sustainable Development Goals through Public Private Partnership: Critical Review and Prospects”. International Journal of Innovation and Sustainable Development 14 (3): 288–312.





## INNOVATIVE ACTIVITIES OF INDUSTRIAL ENTERPRISES INFLUENCING FACTORS

**Gulamov Jasurbek Muhammadali ugli**

2nd year student of the direction “Economics”

Andijan Mashine- Building Institute

**Egamberdiev Shavkatbek Shakhobiddin ugli**

2nd year student of the direction “Economics”

Andijan Mashine- Building Institute

**Mukhtorov OyatilloNematjon ugli**

2nd year student of the direction “Economics”

Andijan Mashine- Building Institute

**Annotation.** This article analyzes the factors affecting the activities of industrial enterprises. Innovation is a decisive component for the success and stability of industrial enterprises. This allows companies to stay ahead of competitors, adapt to changing market conditions and meet changing customer expectations. However, there are several factors that facilitate or hinder the innovative activities of industrial enterprises. Below you can get some information about these factors.

**Keywords:** industries, diversification, innovation, investment, financial resources, innovative activities, market dynamics.

**Introduction.** The development of any national economy will depend on the balanced and sustainable development of its territories. In the sustainable development of Regions and their territories, however, the importance of industries is high. Because in addition to ensuring the pace of economic growth, industries provide the basis for the growth of the competitiveness of the economy by diversifying and promoting the localization of production. The processes of diversification are improved due to the processing of all raw materials extracted in the industrial sphere, created in production, the production of various products from them. The practice of countries that have developed in the world experience and



have high growth rates shows that their success was mainly caused by structural changes in industrial sectors, in particular in processing industries [1].

A different aspect of the industry than other industries is the creation of a higher level of value added. Value added is the sequence of the process of creating, processing, marketing activities of a specific type of product and producing it until it is finally put into consumption.

Changes in the formation and development or level of innovative activities of enterprises occur as a result of the influence of certain factors. During the objective and comprehensive research of managing the innovative activities of the enterprise, the problem of identifying and systematizing the factors affecting it is relevant and sufficiently developed will not be removed. By the factor of innovative activity, we understand the conditions, reasons and indicators that influence the intensity and description of the innovative growth of the enterprise. In this, an innovative process takes the field as a result of the interaction of many factors [2].

An analysis of scientific literature shows that the classification of factors influencing innovative activities was not developed at the same time. Many authors have focused on factors affecting the innovative activities of the enterprise. T.G. In his work, Filosofova noted the following factors that hinder innovation in industrial enterprises:

- low supply of economic and financial resources, low by the state high costs for financing, promotion of innovation, economic high level of risk, long duration of innovation returns;

- production-lack of qualified personnel, new technologies, sales lack of necessary information about the markets, the organization's innovation the inability to quickly accept, with other organizations, enterprises and scientific organizations whether cooperation is not well established or not;

- other factors-low consumer demand for an innovative product, sufficient legal and regulatory framework in innovative activities, lack of regulation, insufficient stimulation of innovative activities by the state, weakly developed innovative infrastructure, lack of development in the technology market.

A.A. Bovin, on the other hand, cites and analyzes the following influencing factors in the organization's innovation environment:

- social infrastructure (the ability of workers to use services in educational, medical and cultural facilities);



- communication area (availability of communication, access to information resources);
- natural-geographical conditions (availability of transport, material and technical, energy, fuel and raw materials resources);
- technological and scientific and technical sphere (availability of the development market, availability of research institutes, etc.);
- economic and financial sphere (state support of innovative activities at the national and regional level, interested in innovative developments investor availability);
- the political and legal sphere (the presence of national, regional plans and programs in the legal regulation of the innovative and scientific and technical sphere);
- strategic coverage of business (the speed of the emergence of innovations in a particular segment of the market);
- labor resources market. In our opinion, the presented classifications covered only a small part of the factors affecting the innovative activities of the enterprise. It is worth noting that factors that directly affect innovative activities in the scientific literature not detected [3].

The main goal of our research is to determine the impact of the activities of industrial enterprises on the efficiency of the region's economy on the basis of the classification of factors affecting the innovative activity of the enterprise. In our opinion, it will be advisable to classify the factors affecting the innovative activities of the enterprise according to a number of signs. As a result of the studies carried out, the following classification signs of factors affecting the innovative activities of the enterprise according to the level of management can be proposed.

According to sources of origin, factors are divided into natural-climatic, social, financial, industrial-technological, scientific-technical and organizational-management groups.

Natural and climatic factors greatly affect the results of innovative activities of industrial enterprises. The development of innovative activities of industrial enterprises located in the region and the growth of innovative activities are greatly contributed by the availability of water supply, favorable climate, working conditions and large sources of fuel and raw materials.

Complexity of natural-climatic conditions, lack of Labor, production Forces, low level of transport development, rather enterprise in combination with the fact that it prevents the development of innovative activities, the enterprise requires a huge amount of funds for the solution of the above problems that negatively affect the level of innovative activity [4].

Social factors include the demographic situation, the level of social tension, the living conditions of workers, wellness at the enterprise, Sports and cultural hordik work it is possible to include organization, cultural, general level of personnel in education, etc. These are more efficient and more complete production resources of the enterprise serves to ensure the co-operative Development and formation of human capital.

Financial and economic factors determine the availability of funds, raw materials, materials, the level of opportunities for attracting additional funds. The research of the financial and economic factors of innovative activity provides, first of all, the opportunity to research the financial capabilities of the enterprise in its innovative development, to develop in advance the direction of the development of an innovative strategy in the current and future financial position of the crown.

Innovation plays an important role in the competitiveness and stability of industrial enterprises. In order to develop in today's dynamic business environment, industrial firms must constantly adopt innovations in their processes, products and services. However, several factors influence the innovative activities of these enterprises, forming their ability to adapt, develop and stay ahead in the market.

One of the main factors affecting innovation in industrial enterprises is the availability of financial resources. Innovations often require significant investment in research and development, as well as new technologies and processes. Companies that do not have the necessary financial resources may have difficulty investing in innovation, which leads to stagnation in their competitive advantages.

Another important factor is the presence of a supportive organizational culture. A culture that encourages risk, experience and cooperation can significantly increase innovation in industrial enterprises. On the other hand, a culture that is resistant to change, hierarchical or focused only on short-term results can stifle innovative actions.

Skills and capabilities of the workforce are also important in determining the level of innovation in industrial enterprises. Companies that employ highly qualified





and creative individuals are more likely to produce and implement innovative ideas. Investing in education and development programs helps employees develop the necessary skills for innovation [5].

In addition, the level of competition and market dynamics can also affect the innovative activities of industrial enterprises. Companies operating in strongly competitive sectors can focus on innovation to differentiate themselves from competitors and gain market share. In addition, changes in consumer preferences, technological progress and regulatory requirements can create opportunities for innovation in industrial enterprises.

Finally, the presence of strong leadership and strategic vision is necessary to encourage innovation in industrial enterprises. Leaders who prioritize innovation, set specific goals, source and support innovative initiatives can inspire and encourage employees to think creatively and take risks.

**Conclusion.** In general, the innovative activities of industrial enterprises are influenced by various factors such as financial resources, organizational culture, labor opportunities, market dynamics and leadership. Companies that can effectively address these factors and create an environment that supports and encourages innovation are more likely to succeed in today's rapidly changing business landscape.

Innovation is the basis of the success of industrial enterprises, providing growth, competitiveness and stability. Understanding and addressing factors affecting innovative activities allows firms to overcome challenges, take advantage of opportunities, and remain leaders in their respective fields. By increasing the culture of innovation, investing in R & D, nurturing talents and adapting to market demands, industrial enterprises can enhance their innovative capabilities and ensure long-term success.

Research Science and  
Innovation House



### References:

1. Т.Г. Философова, В.А. Быков. Конкуренция. Инновации. Конкурентоспособность: учеб.пособие для студентов. 2е изд., перераб. И доп. М.: ЮНИТИ-ДАНА, 2008. 295 с.
2. Бовин А. А. Управление инновациями в организации: учеб. пособие / М.: Омега-Л, 2006. 415 с. 211-212 с.
3. Абрамов В.И. Методология оценки инновационного потенциала предприятия //Известия высших учебных заведений. Поволжский регион. Общественные науки. -2012.- №4. - С.130-137.
4. Berdiyev Abdumalik, Erkayeva Gulbahor, other. Measures to Increase the Popularity Of Banking Services. International Journal of Modern Agriculture. Volume 10, No.2, 10 (2), 3943 3949. 2021 ISSN: 2305-7246. Получено с <http://www.modern-journals.com/index.php/ijma/article/view/1269>.
5. Kuchkorov G., Erkayeva G., Fayzullayev K. Labor motivation in small business enterprises. American journal of economics and business management. vol. 4, No. 2, 2021. <https://www.google.com/>

---

# Research Science and Innovation House



**O‘ZBEKISTON RESPUBLIKASI QUROLLI KUCHLAR HARBIY XIZMATCHILARI  
PUL TA‘MINOTINING HUQUQIY ASOSLARI**

**Usmonov Sh. Sh.**

Jamoat xavfsizligi universiteti,  
“Iqtisodiy fanlar” kafedrasida katta o‘qituvchisi

**Jamoliddinov J.B**

Jamoat xavfsizligi universiteti,  
“Iqtisodiy fanlar” kafedrasida magistri

**ANNOTATSIYA**

Maqolada mustaqillikning dastlabki yillaridan to hozirgi kunga qadar yurtimizda Qurolli Kuchlar tizimida olib borilayotgan islohotlar, harbiy xizmatchilar va ularning oila a‘zolarini ijtimoiy himoya qilish maqsadida ishlab chiqilgan bir qator normativ huquqiy hujjatlar haqida bayon etilgan.

**Kalit so‘zlar: harbiy xizmat, pul ta‘minoti, harbiy qism, harbiy kafedra, ish haqi, kompensatsiya, lavozim maoshi, tarif stavkasi, yurisdiksiya, harbiy doktrina.**

**ПРАВОВАЯ ОСНОВА ДЕНЕЖНОГО ОБЕСПЕЧЕНИЯ  
ВОЕННОСЛУЖАЩИХ ВООРУЖЕННЫХ СИЛ РЕСПУБЛИКИ УЗБЕКИСТАН.**

**АННОТАЦИЯ**

В статье рассматривается порядок осуществления и совершенствования денежного обеспечения военнослужащих Вооруженных Сил Республики Узбекистан. В настоящее время выделены виды оплаты, используемые в бюджетных организациях нашей страны, которые практически отсутствуют для военнослужащих. Описано применение видов оплаты военнослужащих, которые применяются в бюджетных организациях Республики Узбекистан.

**Ключевые слова:**

**военная служба, денежная масса, воинская часть, военное ведомство, оклад, вознаграждение, должностное оклад, тарифная ставка, подведомственность, военная доктрина.**

**LEGAL BASIS OF THE MONEY SUPPLY OF MILITARY SERVANTS OF THE ARMED FORCES OF THE REPUBLIC OF UZBEKISTAN.**

**ANNOTATION**

The article describes the reforms carried out in the Armed Forces system in our country from the first years of independence to the present, and a number of normative legal documents developed for the purpose of social protection of military personnel and their family members.

**Keywords:**

**military service, money supply, military unit, military department, salary, compensation, position salary, tariff rate, jurisdiction, military doctrine.**

1991-yil Mustaqillikning dastlabki davrlaridan boshlab O‘zbekiston Respublikasi o‘zining Qurolli Kuchlar tarkibiga, o‘zining kuch tuzilmalariga ega bo‘lish to‘g‘risida qonun va qarorlar ishlab chiqdi. 1991-yil 31-avgustda qabul qilingan «O‘zbekiston Respublikasi davlat mustaqilligining asoslari to‘g‘risida»gi qonun bilan “O‘zbekiston Respublikasi Mudofaa ishlari vazirligini tuzish, milliy gvardiya va noharbiy (muqobil) xizmat tashkil etish huquqiga ega<sup>1</sup>” deya huquqiy jihatdan mustahkamlandi. Bu amalda yosh respublikaga harbiy siyosatni amalga oshirish huquqini berdi. 1991-yil 30-dekabrda Mustaqil Davlatlar Hamdo‘stligi Kengashining Qurolli Kuchlari va Chegara qo‘shinlari haqidagi Minsk qarori asosida 1992-yil 1-fevraldan sobiq Ittifoq tizimidagi qo‘shinlarni mablag‘ bilan ta‘minlanishi to‘xtatilishini inobatga olgan holda O‘zbekiston Respublikasi Oliy Kengashi 1992-yil 10-yanvarda „O‘zbekiston Respublikasi hududida joylashgan SSSR Ichki ishlar vazirligining harbiy qismlari va o‘quv muassasalarini O‘zbekiston Respublikasi tasarrufiga olish to‘g‘risida“, 14-

<sup>1</sup> O‘zbekiston Respublikasining „O‘zbekiston Respublikasi davlat mustaqilligining asoslari to‘g‘risida“gi 336-XII-sonli Qonun. 1991 –yil 31-avgust. 6-modda. //http:// www.lex.uz

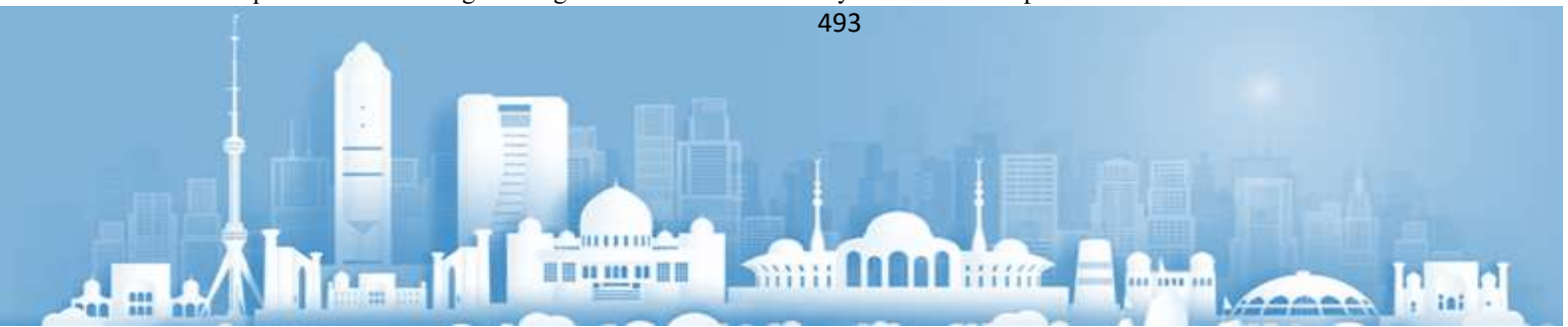


yanvarda „O‘zbekiston Respublikasi hududida joylashgan harbiy qismlar va harbiy o‘quv muassasalari to‘g‘risida“ qarorlar qabul qildi. Unda O‘zbekiston Respublikasi hududida joylashgan sobiq Ittifoqqa qarashli Ichki ishlar va Mudofaa vazirligining qismlari, birlashmalari, qo‘shilmalari, oliy o‘quv yurtlari, harbiy tuzilmalari mamlakatning qonuniy tasarrufiga olinadi, deb belgilandi. “O‘zbekiston Respublikasi Vazirlar Mahkamasi (T. Mutalov) o‘n kun muddatda O‘zbekiston Respublikasi yurisdiksiyasiga o‘tgan harbiy qismlar, muassasalar, korxonalar, tashkilotlar, harbiy o‘quv yurtlari, harbiy kafedralar va oliy va o‘rta maxsus o‘quv yurtlarini tayyorlash bo‘limlarining haqiqiy harbiy xizmatda bo‘lgan harbiy xizmatchilariga, ishchi va xizmatchilariga lavozim maoshlari, tarif stavkalarini oshirish to‘g‘risida maxsus qaror ishlab chiqsin va qabul qilsin 1991-yilga nisbatan ofitserlar tarkibining harbiy unvonlari bo‘yicha ish haqi miqdori 2,0 baravar, shuningdek, mukammal xizmat uchun qo‘shimcha pul mukofotini va turar-joy binolarini yollash uchun kompensatsiyani belgilang<sup>2</sup>”. Yosh davlatimiz mustaqillikning ilk kunlaridanoq harbiy xizmatchilar, ularning oila a‘zolari, harbiy muassasalardagi ishchi va xizmatchilar, sobiq Ittifoq armiyasida xizmat qilgan pensionerlarga ijtimoiy va huquqiy himoyani o‘z kafolati ostiga oldi. Harbiy xizmat va harbiy xizmatchilarni o‘z faoliyatini yuritish bo‘yicha mustaqillikning dastlabki davrlarida bir qancha meyoriy huquqiy hujjatlar qabul qilindi. 1995-yil avgustida qabul qilingan O‘zbekiston Respublikasi Harbiy doktrinasi mamlakatning harbiy sohadagi siyosatini belgilab berdi. Mintaqadagi harbiy siyosiy vaziyatdan kelib chiqqan holda 2000-yil 3-fevral kuni O‘zbekiston Respublikasining Mudofaa doktrinasi qabul qilindi. O‘zbekiston Respublikasi fuqarolarini harbiy xizmatga bo‘lgan qiziqishlarini yanada oshirish va harbiy xizmatchilarning ijtimoiy himoyasini mustahkamlash uchun qabul qilingan O‘zbekiston Respublikasining Konstitutsiyasi, “Umumiy harbiy majburiyat va harbiy xizmat to‘g‘risida“,

“Mudofaa to‘g‘risida“ qonunlari, 1996-yilda qabul qilingan Umumharbiy Nizomlar bilan huquqiy bazasi yanada mustahkamlandi.

O‘zbekiston Respublikasi harbiy xizmatchilarining pul ta‘minotini shakllantirishda O‘zbekiston Respublikasi Qurolli Kuchlar tarkibidagi Mudofaa vazirligi, Ichki ishlar vazirligi, Favqulodda vaziyatlar vazirligi, Milliy gvardiya, Davlat xavfsizlik xizmati, shuningdek boshqa vazirliklar, davlat qo‘mitalari va

<sup>2</sup> O‘zbekiston Respublikasi Prezidentining “O‘zbekiston Respublikasi hududida joylashgan harbiy qismlar va harbiy o‘quv muassasalari to‘g‘risida”gi 347-son Farmoni. 1992-yil 20-fevral. //http:// www.lex.uz



idoralarining qo‘shinlari, harbiy tuzilmalari va muassasalari rahbarlarining harbiy xizmatchilari oylik maoshlari miqdorini tasdiqlash to‘g‘risidagi buyrug‘i me‘yoriy-huquqi asos bo‘lib xizmat qiladi. Harbiy-xizmat munosabatlarining ma‘muriy-huquqiy xususiyati tufayli pul ta‘minoti harbiy xizmatchi va davlat o‘rtasida kelishuv predmeti bo‘lishi mumkin emas, uning hajmi har doim huquqiy hujjatlarda belgilanadi. Ushbu turdagi moddiy ta‘minotning o‘ziga xos xususiyati shundaki, pul ta‘minoti huquqi harbiy xizmat vazifalarini haqiqiy bajarishga bog‘liq emas, ya‘ni u harbiy xizmatchiga kasalligi paytida (harbiy tibbiyot muassasalarida bo‘lganida), ta‘tilda bo‘lganida, ixtiyorida bo‘lganida (lekin qonunda belgilangan muddatdan ko‘p bo‘lmagan) va hokazolarda saqlanadi.

Harbiy xizmatchilarning pul ta‘minoti miqdori davlatning imkoniyatlaridan kelib chiqqan holda belgilanadi va turli xil usullardan foydalangan holda qonun hujjatlarida belgilangan standartlarga asoslanadi.

Qurolli Kuchlar harbiy xizmatchilarining pul ta‘minoti masalalarini tartibga solish turli buyruq va nizomlar asoslangan holda tashkillashtiriladi.(1-jadval)

Oila kodeksining 99-moddasiga ko‘ra, sudning hal qiluv qaroriga ko‘ra farzandlarining sonidan kelib chiqib ota-onaning voyaga yetmagan bolalariga to‘laydigan aliment miqdori belgilan.

“Agar voyaga yetmagan bolalariga ta‘minot berish haqida ota-ona o‘rtasida kelishuv bo‘lmasa, ularning ta‘minoti uchun aliment sud tomonidan ota-onaning har oydagi ish haqi va (yoki) boshqa daromadining bir bola uchun — to‘rttdan bir qismi; ikki bola uchun — uchdan bir qismi; uch va undan ortiq bola uchun — yarmisi miqdorida undiriladi. Bu to‘lovlarning miqdori taraflarning moddiy yoki oilaviy ahvolini va boshqa e‘tiborga loyiq holatlarni hisobga olgan holda sud tomonidan



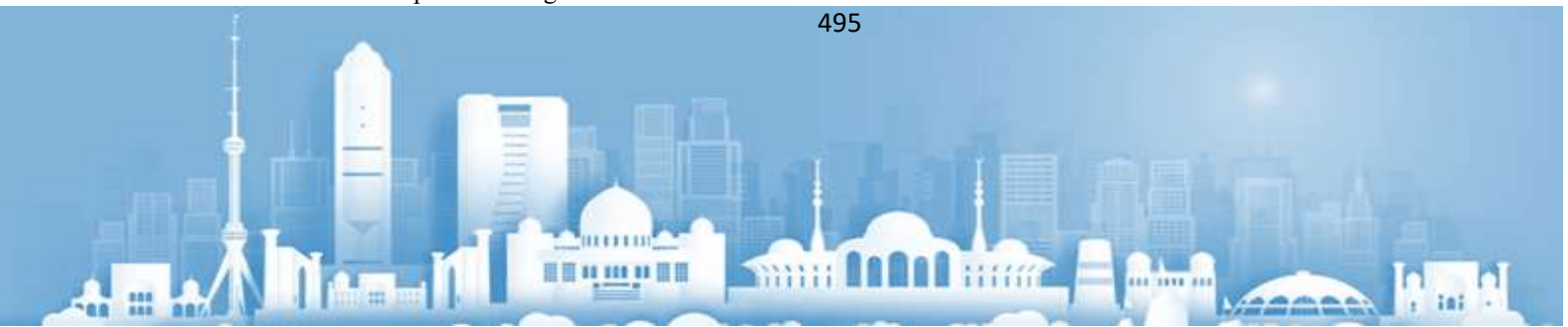
kamaytirilishi yoki ko‘paytirilishi mumkin”<sup>3</sup>. “Sud hujjatlari va boshqa organlar hujjatlarini ijro etish to‘g‘risida”gi Qonunga hamda “Qarzdor jismoniy shaxsga ish haqi yoki unga tenglashtirilgan boshqa to‘lovlarni to‘layotgan tashkilotlar yoki boshqa shaxslar tomonidan ijro hujjatlarini ijro etish qoidalarini tasdiqlash to‘g‘risida”gi (AV tomonidan 8.07.2009 yilda 1980-son bilan ro‘yxatdan o‘tkazilgan) muvofiq, ijro hujjatlari bo‘yicha undiruvlar **ish haqi yoki unga tenglashtirilgan boshqa to‘lovlarga** qaratiladi. Undiruv qaratilishi mumkin bo‘lmagan to‘lovlar Qonunning 69-moddasida va Qoidalarning 2-bandida belgilangan.

### 1-jadval

#### O‘zbekiston Respublikasi Qurolli Kuchlari harbiy xizmatchilarining pul ta‘minoti masalalarini tartibga soluvchi asosiy meyoriy xujjatlar ro‘yxati.

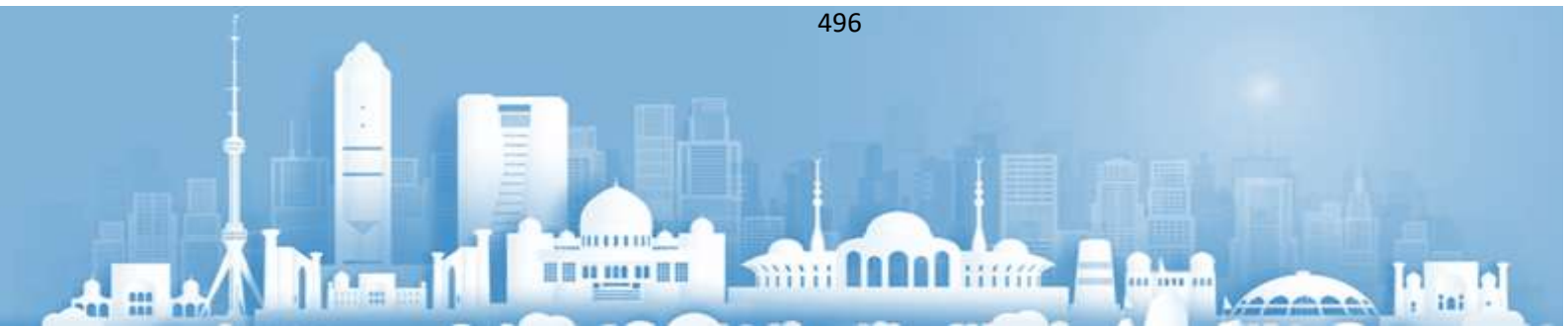
T/r	Xujjat raqami va sanasi	Xujjat nomi	Mazmuni
1	O‘R Qonuni 2022 yil 28 oktabr № O‘RQ-798	O‘zbekiston Respublikasi Mehnat kodeksi	Mehnat munosabatlarini, mehnatga haq to‘lash tartibini tashkillashtirish.
2	2019 yil 30 dekabr	O‘zbekiston Respublikasi Soliq kodeksi	Harbiy xizmatchilardan undiriladigan daromad solig‘i va yagona ijtimoiy to‘lovni amalga oshirish tartibi.
3	1998-yil 30-aprel	O‘zbekiston Respublikasi Oila kodeksi	Harbiy xizmatchilarning

<sup>3</sup> O‘zbekiston Respublikasining Oila kodeksi. 99-modda.



			aliment undiruvlari tartibi.
4	O‘zbekiston Respublikasi Qonuni, 2002 –yil 12-dekabr 436-II-son	Umumiy harbiy majburiyat va harbiy xizmat to‘g‘risida	Harbiy xizmatchilarning harbiy unvonlar tarkibi.
5	O‘zbekiston Respublikasi Prezidentining Farmoni, 1997 yil 10 yanvar PF-1697-son	Muddatli harbiy xizmatchilarning pul ta‘minoti miqdorlarini oshirish to‘g‘risida	Kursantlar va muddatli harbiy xizmatchilarning pul ta‘minotini oshirish.
6	O‘z.Res.Prezidentining Qarori, 2005-yil 19 avgust PQ-158 -son	O‘zbekiston Respublikasi Qurolli Kuchlari harbiy xizmatchilarini ijtimoiy muhofaza qilish tizimini yanada takomillashtirish chora – tadbirlari to‘g‘risida	Harbiy xizmatchilarning xizmat yillari uchun ustama

Research Science and  
Innovation House





7	O‘R Vazirlar Maxkamasi Qarori 2005 yil 25 iyul № 169	O‘R Qurolli Kuchlari harbiy xizmatchilariga oyma -oy uy-joy pullik kompensatsiya to‘lash tartibi to‘g‘risida	Shartnoma asosidagi harbiy xizmatchilariga uy-joy pullik kompensatsiya to‘lanish meyorlari va tartibi
8	O‘zbekiston Respublikasi Prezidentining Farmoni 2023-yil 13- mart PF-34	Vatan himoyasi va el-yurtimiz tinchligi yo‘lida halok bo‘lgan harbiy xizmatchilar va xodimlar oila a‘zolarini ijtimoiy qo‘llab- quvvatlashni kuchaytirish chora- tadbirlari to‘g‘risida	Halok bo‘lgan harbiy xizmatchilarga to‘lanadigan pul kompensatsiyalari.
9	O‘R Vazirlar Maxkamasi Qarori 2019 yil 6 sentabr № 743	Mehnat bozorida mehnat munosabatlarini tartibga solishga doir qo‘shimcha chora-tadbirlar to‘g‘risida	Harbiy xizmatchilarga tabiiy iqlim sharoiti og‘ir va noqulay bo‘lgan joylarda ishlaganligi uchun ustama.
10	O‘R Vazirlar Maxkamasi Qarori 2018 yil 28 avgust № 697	Toshkent shahrining jamoat tartibini ta‘minlash kuchlari tarkibida xizmatni o‘tayotgan xodimlar va harbiy xizmatchilar faoliyatini baholash va ularga bir martalik pul mukofoti to‘lash mezonlarini belgilash tartibi to‘g‘risidagi nizomni tasdiqlash haqida	Toshkent shahridagi jamoat tartibiga jalb qilingan harbiy xizmatchilarni qo‘shimcha rag‘batlantirish to‘g‘risida.
11	O‘R Adliya vazirligi buyrug‘i 2009 yil 8 iyul № 157	Qarzdor jismoniy shaxsga ish haqi yoki unga tenglashtirilgan boshqa to‘lovlarni to‘layotgan tashkilotlar yoki boshqa shaxslar tomonidan ijro hujjatlarini ijro etish qoidalarini tasdiqlash haqida	Shartnoma asosidagi harbiy xizmatchilardan ijro hujjatlarini amalga oshirish

Harbiy xizmatchilarning olgan daromadini soliqqa tortish (*daromad solig‘i*), ijtimoiy soliqni hisoblab chiqarish va to‘lash O‘zbekiston Respublikasi Soliq kodeksiga asosan amalga oshiriladi. Soliq kodeksining 378-moddasida nazarda



tutilgan soliq solinmaydigan daromadlar harbiy xizmatchilarning pul ta'minotiga ham to'liqligicha qo'llaniladi.

“Umumiy harbiy majburiyat va harbiy xizmat to'g'risida”gi qonunda harbiy unvonlar ko'rsatilgan bo'lib, uning 9-moddasiga ko'ra, harbiy xizmatchilar va harbiy xizmatga majburlar oddiy askarlar, serjantlar va ofitserlar tarkibiga bo'linadi.

Har bir harbiy xizmatchi va harbiy xizmatga majburga tegishli harbiy unvon beriladi. Qurolli Kuchlardagi harbiy unvonlar qo'shin unvonlari va kema tarkibidagi unvonlarga bo'linadi<sup>4</sup>. (1-rasm)

Qo'shin unvonlari	Kema tarkibidagi unvonlar
<b>Oddiy askarlar tarkibi</b>	
oddiy askar	matros
<b>Serjantlar tarkibi</b>	
kichik serjant III darajali serjant II darajali serjant I darajali serjant katta serjant	starshina III darajali starshina II darajali starshina I darajali starshina bosh starshina
<b>Ofitserlar tarkibi</b>	
<b>Kichik ofitserlar tarkibi</b>	
leytenant katta leytenant kapitan	leytenant katta leytenant kapitan-leytenant
<b>Katta ofitserlar tarkibi</b>	
mayor podpolkovnik polkovnik	III rang kapitani II rang kapitani I rang kapitani
<b>Generallar tarkibi</b>	
general-mayor general-leytenant general-polkovnik armiya generali	

**1-rasm. Qurolli Kuchlar tarkibida joriy etilgan harbiy unvonlar.**

<sup>4</sup> O'zbekiston Respublikasining “Umumiy harbiy majburiyat va harbiy xizmat to'g'risida”gi 436-II-son Qonuni.12.12.2002 yil. 9-modda



O‘zbekiston Respublikasi Prezidentining 2023-yil 13-mart kunidagi “Vatan himoyasi va el-yurtimiz tinchligi yo‘lida halok bo‘lgan harbiy xizmatchilar va xodimlar oila a‘zolarini ijtimoiy qo‘llab-quvvatlashni kuchaytirish chora-tadbirlari to‘g‘risida”gi PF-34-son farmoniga asosan O‘zbekiston Respublikasi Mudofaa vazirligi, Ichki ishlar vazirligi, Milliy gvardiya, Favqulodda vaziyatlar vazirligi, Davlat xavfsizlik xizmati, O‘zbekiston Respublikasi Prezidenti davlat xavfsizlik xizmati, Bojxona qo‘mitasi va Elektron texnologiyalarni rivojlantirish markazining Vatan himoyasi va el-yurtimiz tinchligi yo‘lida yaralanganligi, kontuziya yoki mayib bo‘lganligi oqibatida halok bo‘lgan harbiy xizmatchilari va xodimlarining oila a‘zolari hamda ularning qaramog‘idagi shaxslarga bir martalik nafaqa tayinladi va to‘lanadi:

2023-yil 1-apreldan boshlab:

halok bo‘lgan harbiy xizmatchi (xodim) oila a‘zolariga biryo‘la beriladigan nafaqa marhumning oxirgi egallagan lavozimi bo‘yicha maoshi va harbiy (maxsus) unvoni maoshi yig‘indisining 150 baravari miqdorida belgilansin<sup>5</sup>;

harbiy xizmatchilarning (xodimlarning) davlat majburiy shaxsiy sug‘urtasi doirasida harbiy xizmatchi (xodim) halok bo‘lganda to‘lanadigan sug‘urta summasi bazaviy hisoblash miqdorining 200 baravari miqdorida belgilansin<sup>6</sup>.

Nafaqa harbiy xizmatchining (xodimning) so‘nggi xizmat (o‘qish) joyidagi moliya organi tomonidan tan jarohati olgan harbiy xizmatchiga (xodimga) yoki

<sup>5</sup> O‘zbekiston Respublikasi Prezidentining 2023-yil 13-mart kunidagi “Vatan himoyasi va el-yurtimiz tinchligi yo‘lida halok bo‘lgan harbiy xizmatchilar va xodimlar oila a‘zolarini ijtimoiy qo‘llab-quvvatlashni kuchaytirish chora-tadbirlari to‘g‘risida”gi PF-34-son farmoni.

<sup>6</sup> O‘zbekiston Respublikasi Prezidentining 2023-yil 13-mart kunidagi “Vatan himoyasi va el-yurtimiz tinchligi yo‘lida halok bo‘lgan harbiy xizmatchilar va xodimlar oila a‘zolarini ijtimoiy qo‘llab-quvvatlashni kuchaytirish chora-tadbirlari to‘g‘risida”gi PF-34-son farmoni.



halok bo‘lgan (vafot etgan) harbiy xizmatchining (xodimning) **oila a‘zolariga (qonuniy vakiliga) to‘lanadi.**

Bugungi kunda Respublikamizda yuqoridagi harbiy xizmatchilar uchun belgilangan meyoriy hujjatlar kabi budjet tashkilotlarida ishlovchi fuqorolar uchun amalda qo‘llanib kelinayotgan bir qancha me‘yoriy hujjarlar mavjud. 3-jadval

3-jadval

**O‘ZBEKISTON RESPUBLIKASI BUDJET TASHKILOTLARI HODIMLARI ISH  
HAQINI AMALGA OSHIRISHDAGI AYRIM ME‘YORIY HUJJATLAR  
RO‘YXATI.**

T/r	Xujjat raqami va sanasi	Xujjat nomi	Mazmuni
1	O‘R Vazirlar Maxkamasi Qarori 2013 yil 3 fevraldagi № 33	Ayrim budjet tashkilotlari xodimlari ba‘zi toifalarining lavozim razryadlarini belgilash to‘g‘risida	Budjet tashkilotlarida buxgalyerlar, iqtisodchilarga qo‘shimcha ustama belgilash.
2	O‘R Vazirlar Maxkamasi Qarori 2018 yil 17 martdagi № 2985	Yillik mehnat ta‘tili vaqtida saqlanib qolinadigan o‘rtacha ish haqi miqdorini aniqlash tartibi to‘g‘risidagi yo‘riqnomani tasdiqlash haqida	Budjet tashkilotlarida ishchi xizmatchilarning ta‘tilning foydalanilmagan qismi kunlariga haq to‘lash
3	O‘R Vazirlar Maxkamasi Qarori 2018 yil 10 dekabr № 297	O‘rindoshlik asosida hamda bir necha kasbda va lavozimda ishlash tartibi	Fuqarolarning o‘rindoshlik asosida hamda bir necha kasbda (lavozimda)



		to‘g‘risidagi nizomni tasdiqlash haqida	ishlaganligi uchun haq to‘lash
--	--	--	-----------------------------------

Yuqoridagi me‘yoriy –huquqiy hujjatlarga ko‘ra, qonun ustuvorligi va ijtimoiy adolat prinsiplariga rioya qilinishini ta‘minlash, shuningdek, qonunchilik hujjatlari barcha vazirlik va idoralarda bir xil talqin etilishiga erishish maqsadida, harbiy xizmatchilarga pul ta‘minoti miqdorini belgilashda harbiy xizmatchilar uchun belgilangan amaldagi normativ –huquqiy hujjatlarning normalarida aniq ko‘rsatib o‘tish maqsadga muvofiq deb hisoblaymiz.

### **Foydalanilgan adabiyotlar ro‘yxati.**

1. O‘zbekiston Respublikasi Konstitutsiyasi.
2. O‘zbekiston Respublikasining „O‘zbekiston Respublikasi davlat mustaqilligining asoslari to‘g‘risida“gi 336-XII-sonli Qonun. 1991 –yil 31-avgust.
3. O‘zbekiston Respublikasining “Umumiy harbiy majburiyat va harbiy xizmat to‘g‘risida”gi 436-II-son Qonuni. 12.12.2002 yil.
4. O‘zbekiston Respublikasining Oila kodeksi.
5. O‘zbekiston Respublikasi Soliq kodeksi.
6. O‘zbekiston Respublikasi Budget kodeksi.
7. O‘zbekiston Respublikasi Prezidentining “O‘zbekiston Respublikasi hududida joylashgan harbiy qismlar va harbiy o‘quv muassasalari to‘g‘risida”gi 347-son Farmoni. 1992-yil 20-fevral.
8. O‘zbekiston Respublikasi Prezidentining 2023-yil 13-mart kuni dagi “Vatan himoyasi va el-yurtimiz tinchligi yo‘lida halok bo‘lgan harbiy xizmatchilar va xodimlar oila a‘zolarini ijtimoiy qo‘llab-quvvatlashni kuchaytirish chora-tadbirlari to‘g‘risida”gi PF-34-son farmoni.

9. O‘zbekiston Respublikasi Prezidentining 2023-yil 13-mart kunidagi “Vatan himoyasi va el-yurtimiz tinchligi yo‘lida halok bo‘lgan harbiy xizmatchilar va xodimlar oila a‘zolarini ijtimoiy qo‘llab-quvvatlashni kuchaytirish chora-tadbirlari to‘g‘risida”gi PF-34-son farmoni.



Research Science and  
Innovation House





## TIBBIYOTDA ISHLATILADIGAN IBORALAR VA AFORIZMLAR

**Aytmuratova Perxan Genjebayevna**

Samarqand Davlat Tibbiyot Universiteti Tillar kafedrası assistenti

**Ashirova Noila Abror qizi**

Samarqand Davlat Tibbiyot Universiteti Pediatriya fakulteti talabasi

**Annotatsiya:** Ushbu maqolada lotin tilining tibbiyotda va tibbiyot mutaxassislari uchun ahamiyati haqida gap boradi. Hozirgi vaqtda kasbiy tilni shakllantirish tibbiyot xodimini tayyorlashda muhim omil hisoblanadi. Professional til asosan atamalar tizimidan hosil bo‘ladi. Barcha tibbiyot fanlari lotin tilidan foydalanishga asoslanishining bir qancha sabablari bor.

**Kalit so‘zlar:** dorivor xom ashyo, klinik atamalar, anatomik atamalar, terminologik elementlar, termin-shakllovchi elementlar, kimyoviy tarkibi, farmatsevtik terminologiya, nomenklatura

**Kirish.** Har qanday kasbni to‘liq o‘zlashtirish uchun odam o‘z mutaxassisligining terminologiyasini bilishi kerak. Evropa tarixi shunday rivojlanganki, ko‘pgina fanlarning, shu jumladan tibbiyotning asosiy terminologiyasi lotin va yunon tillarining so‘zlariga asoslanadi. Ammo, ehtimol, dunyo miqyosidagi ko‘p asrlik tajriba to‘g‘ridan-to‘g‘ri shifokorning professional tilining tarkibiga ta'sir qiladigan boshqa kasbiy faoliyat yo‘q, chunki tibbiyot va farmatsevtika sohasidagi mutaxassislarni tayyorlashda katta ahamiyatga ega bo‘lgan fanlardan biri, shubhasiz, lotin tili bo‘lib, va bu tilni bilish kerak. Kundalik ish - kasalliklarning nomlarini, anatomik va klinik atamalarni, dorivor xom ashyoning nomlarini, kimyoviy birikmalar nomlarining xalqaro nomenklaturasida va ayniqsa formulada qabul qilingan botanika atamalarini o‘qiyotganda.

**Asosiy qism.** Zamonaviy shifokor, hatto professional mavzuda rus tilida gaplashganda ham, lotin va yunon tilidagi so‘zlarning 60% dan ortig‘ini ishlatadi. Va bu ajablanarli emas, chunki ma'lumki, turli xil fanlarning terminologiyalari, shu jumladan nisbatan yaqinda paydo bo‘lganlar, to‘g‘ridan-to‘g‘ri yoki bilvosita, lug‘at va so‘zlarni shakllantirish vositalarini faol jalb qilish orqali to‘ldirilib, qadimgi dunyoning ushbu ikkita klassik tili sifatida to‘ldirishda davom etmoqda.

Tibbiy terminologiyaning tuzilishi. Zamonaviy tibbiyot terminologiyasi eng murakkab terminologik tizimlardan biridir. Tibbiy atamalarning umumiy soni

noma'lum - mutaxassislarning fikriga ko'ra, zamonaviy tibbiyotning terminologik fondi 500 ming tibbiy atamalardan oshadi. Agar yuz yil oldin bilimdon shifokor zamonaviy terminologiyani yaxshi bilgan bo'lsa, bugungi kunda bir necha yuz ming tibbiy atamalarni o'zlashtirish deyarli mumkin emas:

Tibbiyot terminologiyasi 3 xil yo'nalish bo'yicha farqlanadi:

1) Anatomik terminologiya. Bu tibbiyot ta'limining ajralmas qismidir, chunki barcha anatomik atamalar lotin tilida, anatomiya va lotin tili bo'limida parallel o'rganiladi. Bu yerda ikki bo'lim ikki nuqtai nazardan qaraladi:

a) Anatomiya nuqtai nazaridan bu termin ob'ekt bilan haqiqiy bog'lanish uchun muhim ahamiyatga ega, anatomik hosil bo'lishi bu termin bilan chaqiriladi (yuz joylashgan joyda, uning vazifalari).

b) Lotin tili nuqtai nazaridan termin til bilan bog'liq holda muhim ahamiyatga ega (qanday stress, tugash, ibora).

Demak, shuni aytish mumkinki, anatomist mazmun bilan, lotinni esa termin shakli bilan tashvishga soladi.

2) Klinik terminologiya. Bu klinik amaliyotda qo'llaniladigan terminologiyadir. Klinik terminlarning aksariyati so'z hosil qiluvchi elementlardan hosil bo'lgan birikmalar so'zlaridir. Klinik terminologiyaning assimilyatsiyasida asosiy rolni yunoncha-lotinchacha termin-shakllovchi elementlar - terminologik elementlar o'ynaydi. Greko-lotin terminologik elementlari tizimini o'zlashtirish asosiy tibbiy klinik terminologiyani tushunishning bir xil terminologik kalitidir. Masalan, elementlar -rrhagia (qon ketish), -pexia (jarrohlik operatsiyasi: a'zoning to'g'rilanishi), entero- (ichak), nephro- (buyrak) atamasini bilish enterorrugiya, enterorrhagia, nephorrhagia, enteropexia, nephropexia va boshqalar kabi klinik terminlarni tushunishga imkon beradi. Klinik terminologik elementlarning (TE) umumiy soni 1500 dan ortiq bo'lsa-da, ular boshqa chastota darajasiga ega.

Eng faol termin elementlari soni 600 ga yaqin. Klinik terminologiyaning asosiy qismi 150 termin elementidan iborat bo'lib, undan tibbiy lug'atning asosiy qismi tuzilgan.

3) Farmatsevtik terminologiya. Bundan tashqari, unda asosan yunoncha va lotincha so'zlar, ya'ni ularning ayrim qismlari qo'llanadi, ulardan sun'iy ravishda yangi atamalar va nomlar tarkib topadi.

Dori-darmonlarning nomlari so'zlarning standart lotin va yun. atama elementlari (AE) bilan tuzilgan bo'lib, uning amaliy prinsipi, kimyoviy tarkibi,



asosiy komponentlari va boshqalar haqidagi ma'lumotlarni faqat dorining nomidan olish imkoniyatini yaratadi.

Vaqt o'tishi bilan shifokorlar va boshqa tibbiyot xodimlari professional muloqotda milliy tillarga o'tishgan, ammo asosiy hukmronlik hali greko-lotin elementlariga, so'z va iboralarga tegishli. Bunga asosan ularning universal milliy xarakteri sabab bo'lgan. Shuning uchun kasalliklar, diagnostika va davolash usullarining nomlari har qanday tilda tan olinadi.

Lotin tili hozirda butun dunyodan kelgan shifokorlar va tibbiyot xodimlari tomonidan o'rganiladigan va qo'llaniladigan bir qator biomedik fanlar va nomenklaturalarda xalqaro ilmiy til sifatida ishlatiladi. Shuning uchun tibbiyot sohasida faoliyat yuritayotgan har qanday mutaxassis lotin tibbiyot terminologiyasining ta'lim va tushunish tamoyillari bilan tanish ekanligi mutlaqo ayon.

Barcha tibbiyot fanlarida: anatomiya, histologiya, embriologiya, mikrobiologiya, mikrobiologiya, patologik anatomiya va klinik fanlar, shuningdek farmakologiya sohasida nomzodlikning bu an'anasiga hech qachon to'xtalib o'tmagan va shu kungacha davom etmoqda.

Ammo nafaqat tibbiyotda lotincha so'zlar terminologiya va nomzodlik uchun xalqaro vosita sifatida o'z vazifasini saqlab qolgan. Lotin va lotinlashgan grekcha so'z va so'z elementlari hayotning barcha sohalaridagi barcha tillar tomonidan - kundalik nomlaridan “Bonaqua” va “automaton” dan tortib, “Tomograf”, “Sinxrofasotron” va ijtimoiy-siyosiy terminologiya atamalarigacha qo'llaniladi.

Lotin tili ham katta ahamiyatga ega, chunki u ko'plab lotin ildizlari o'tgan rus tilini yaxshiroq va chuqurroq tahlil qilishga yordam beradi, bu esa bir qator yangi so'zlarni yaratadi, masalan kommunizm, prezidium, kengash, kvorum, universitet va boshqalar.

Lotin tili ham katta ahamiyatga ega bo'lgan iboralar ham mavjuddir. Masalan: *Deest remedii locus ubi, guae vitia fuerunt, mores fiunt. Exitus letalis. Facile omnes, cum valemus, recta consilia aegrotis damus. Festina lente. Habitus aegroti. Ignoti nulla curatio morbi. Invia est in medicina via sine lingua Latina. In vino veritas, in aqua sanitas. Medicamenta heroica in manu imperiti sunt, ut gladius in dextra furiosi (in dextra manu). Medica mente, non medicamentis. Medice, cura te ipsum. Medicina fructosior ars nulla. Medicus nihi aliud est, quam animi consolatio. Medicus*



philosophus est; non enim multa est inter sapientiam et medicinam differentia. Melius est nomen bonum quam magnae divitiae.

**Xulosa.** Ushbu maqolada tibbiyot oliygozlari talabalari uchun lotin tilining va lotin tilidagi iboralarning ahamiyati haqida gap yuritilgan va lotin tili hozirda butun dunyodan kelgan shifokorlar va tibbiyot xodimlari tomonidan o‘rganiladigan va qo‘llaniladigan bir qator biomedik fanlar va nomenklaturalarda xalqaro ilmiy til sifatida ishlatilishi haqida tushuncha keltirilgan. Shuning uchun tibbiyot sohasida faoliyat yuritayotgan har qanday mutaxassis lotin tibbiyot terminologiyasining ta'lim va tushunish tamoyillarini o‘rganishi shart.

#### Foydalanilgan adabiyotlar:

1. Yorova, S., Aytmuratova, P., Esanova, M., & Normurodova, S. (2023). Phraseological Units In The Medical Field Of English And Uzbek Cultures. Development and innovations in science, 2(2), 10-13.
2. Genjebayevna, A. P., & Mallayevna, N. S. (2023). Tibbiyotda Klinik Terminlarning Roli. AMALIY VA TIBBIYOT FANLARI ILMIY JURNALI, 2(11), 416-419.
3. Genjebayevna, A. P., & Equebal, A. (2023). NOUNS IS THE 3RD DECLENSION. Yangi O‘zbekistonda Tabiiy va Ijtimoiy-gumanitar fanlar respublika ilmiy amaliy konferensiyasi, 1(7), 101-106.
4. Ahmadjonovna, R. S., Genjibaevna, A. P., Saydullaevna, N. N., Atakulovna, R. N., & Sadulayevna, I. D. (2021). The Teacher’s Role in the Effective Organization of the Lesson Process in Foreign Language. Annals of the Romanian Society for Cell Biology, 3072-3078.
5. Genjebayevna, A. P., & Selvam, P. (2023, November). NOUN OF THE 3d DECLENSION (FEMININE GENDER). In International conference on multidisciplinary science (Vol. 1, No. 5, pp. 215-218).
6. Sarvinoz, Y., & Perkhan, A. (2023). USE OF LATIN TERMS AND TERMINOELEMENTS. Journal of Innovation, Creativity and Art, 153-155.
7. Sevinch, M., & Perkhan, A. (2023). THE ROLE OF THE LATIN LANGUAGE IN MEDICINE. Journal of Innovation, Creativity and Art, 166-169.
8. Genjebaevna, A. P., & Baraiya, B. (2024). SOME COMMENTS ON THE LATIN NAMING OF CHEMICAL TERMS, OXIDES AND ACIDS IN MEDICINE. Journal of Universal Science Research, 2(1), 411-418.



9. Ziyoda, B., & Perkhan, A. (2023). THE WAY IS IMPOSSIBLE IN MEDICINE WITHOUT THE LATIN LANGUAGE. *Journal of Innovation, Creativity and Art*, 132-135.
10. Genzhebaevna, A. P., & Baxadirovna, E. M. (2023). THE ROLE OF TEACHING FOREIGN LANGUAGES IN MEDICAL UNIVERSITY. *INTERNATIONAL JOURNAL OF SOCIAL SCIENCE & INTERDISCIPLINARY RESEARCH* ISSN: 2277-3630 Impact factor: 7.429, 12(11), 49-52.
11. Sohiba, N., & Perkhan, A. (2023). THE ROLE OF LATIN TERMS IN MEDICINE. *INTERNATIONAL JOURNAL OF SOCIAL SCIENCE & INTERDISCIPLINARY RESEARCH* ISSN: 2277-3630 Impact factor: 8.036, 12(10), 1-3.
12. Aitmuratova, P., Yorova, S., & Esanova, M. (2023). The role of foreign languages in our life. *Theoretical aspects in the formation of pedagogical sciences*, 2(4), 161-164.
13. Esanova, M. (2023). THE IMPORTANCE OF METHODOLOGY IN LEARNING A FOREIGN LANGUAGE. *Theoretical aspects in the formation of pedagogical sciences*, 2(4), 94-99.
14. Dilmurod, B., & Maftuna, E. UDC: 372.881. 111.1: 37.01: 007 NEW WAYS OF USING INNOVATIVE TECHNOLOGIES IN FOREIGN LANGUAGE TEACHING. AKHMEDOVA MEHRINIGOR BAHODIROVNA//METHODOLOGY AND METHODS OF LINGUOMA'NAVIYATSHUNOSLIC AS A SUBJECT, 38, 20.
15. Sarvinoz, Y., & Perkhan, A. (2023). USE OF LATIN TERMS AND TERMINOELEMENTS. *Journal of Innovation, Creativity and Art*, 153-155.
16. Bakhadirovna, E. M. (2023). THE CRUCIAL ROLE OF LANGUAGE PROFICIENCY IN THE ADVANCED YEARS OF MEDICAL EDUCATION. *Multidisciplinary Journal of Science and Technology*, 3(5), 402-404.
17. Bakhodirovna, E. M., & Amina, S. (2023, November). DEGREES OF ADJECTIVES. GRAMMAR CATEGORIES. In *International conference on multidisciplinary science* (Vol. 1, No. 5, pp. 230-233).

18. SHARIPOV, B. RETSIPROKLIK TUZILISHI VA UNING GRAMMATIK XUSUSIYATLARI TO ‘G ‘RISIDA AYRIM MULOHAZALAR. Я ПРЕПОДАВАНИЕ, 173.

19. Mardanovich, M. Z., & Salimovich, S. B. (2022, August). AUDITORIYADAN TASHQARI TA'LIM-TARBIYAGA MAQSADLI, TIZIMLI YONDASHISH: Mahmudov Zafar Mardanovich Samarqand davlat tibbiyot instituti, Tillar kafedrası, assistent, e-mail: maxmudovzafar4510@ gmail. com Sharipov Bobur Salimovich Samarqand davlat tibbiyot instituti, Tillar kafedrası, assistent, e-mail: sharipovbobur9689@ gmail. com Bo‘riyev Dilmurod Arzimurodovich Samarqand davlat tibbiyot instituti, Tillar kafedrası, stajyor-assistent buriyev. d0905@ gmail. com. In Научно-практическая конференция.

20. Asalkon, K., & Salimovich, S. B. (2024). O‘SIMLIK XOM ASHYOSIDAN OLINADIGAN DORI VOSITALARINING TIBBIYOTDA ISHLATILISHI VA XUSUSIYATLARI. Journal of Universal Science Research, 2(2), 102-111.

21. Asalkhan, K., & Salimovich, S. B. (2024). GINGER-BENEFITS AND HARMFUL PROPERTIES. Multidisciplinary Journal of Science and Technology, 4(2), 86-91.

22. Salimovich, S. B. (2024). USE OF LATIN TERMINOLOGY IN THE PROFESSIONAL ACTIVITY OF A DOCTOR (BASED ON THE MATERIAL OF AN OUTPATIENT’S MEDICAL CARD). Multidisciplinary Journal of Science and Technology, 4(1), 276-281.

23. Mardanovich, M. Z., Aliaskarovna, S. U., Kenjaevna, B. M., Genjebaevna, A. P., & Salimovich, S. B. (2021). Some Considerations about Legal Solutions and Practices of Certain Problems Writing Recipes. Annals of the Romanian Society for Cell Biology, 5341-5352.

24. Mukhamadiyeva, M., & Sharipov, B. (2022). LATIN AS THE MAIN LANGUAGE OF MEDICINE. Theoretical aspects in the formation of pedagogical sciences, 1(7), 337-339.

25. ZAFAR, M., BOBUR, S., & DILMUROD, B. R. (2021). Scientific and pedagogical basis of teaching the theory of decisions in school chemistry. International Journal of Philosophical Studies and Social Sciences, 1(3), 192-196.



26. Salimovich, S. B. (2022). Studies of Reciprocity in Linguistics. Eurasian Scientific Herald, 8, 221-224.
27. Шарипов, Б. С. (2022). TIL BIRLIKLARINING NUTQDA FAOLLASHUVI HAQIDA. МЕЖДУНАРОДНЫЙ ЖУРНАЛ ИСКУССТВО СЛОВА, 5(1).
28. Maxmudov, Z. M., & Sharipov, B. S. LOTIN TILI VA TIBBIY TERMINOLOGIYA FANINI O‘QITISHDA INNOVATSION TEXNOLOGIYALARDAN FOYDALANISHNING DIDAKTIK TAMOYILLARI VA UNING ASOSI HAQIDA FIKRLAR.
29. Sharipov, B. (2023). SOME CONSIDERATIONS ON THE FORMATION OF CLINICAL TERMS IN LATIN. International Bulletin of Applied Science and Technology, 3(6), 477-479.
30. Salimovich, S. B. (2022). RECIPROCAL SYMMETRY AND ITS GRAMMATICAL INDICATIONS. EPRA International Journal of Research and Development (IJRD), 7(12), 129-131.
31. Sharipov, B. (2022). RETSIPROKLIK XUSUSIDA MULOHAZALAR. Общественные науки в современном мире: теоретические и практические исследования, 1(19), 63-66.
32. Salimovich, S. B. (2022, January). FUNCTIONS OF LANGUAGE UNITS. In Conference Zone (pp. 62-63).
33. Mardanovich, M. Z., & Salimovich, S. B. Auditoriyadan tashqari ta'lim-tarbiyaga maqsadli, tizimli yondashish. In Конференция состоялась 5 марта 2022 года на базе Ташкентского государственного стоматологического института по адресу: Республика Узбекистан, 100047, г. Ташкент, ул. Махтумкули, 103. Цель конференции—знакомство и обмен опытом в обучении и в работе с цифровыми данными, технологиями их применения в гуманитарных (p. 455).
34. Nasimjanovna, K. F., & Salimovich, S. B. (2023). NAMES OF DISEASES AND THEIR USE IN CLINICAL TERMINOLOGY. Journal of Universal Science Research, 1(6), 469-474.
35. Isroilova, M., & Sharipov, B. (2023). SOME OBSERVATIONS ON LATIN PRONUNCIATION AND SPELLING. Science and innovation in the education system, 2(7), 127-129.



36. Sharipov, B. (2023). SOME CONSIDERATIONS ON THE FORMATION OF CLINICAL TERMS IN LATIN. *International Bulletin of Applied Science and Technology*, 3(6), 477-479.
37. Salimovich, S. B. (2023). TRANSLATION OF CLINICAL TERMS IN LATIN AND BASIC MEDICAL TERMINOLOGY CLASSES. *Multidisciplinary Journal of Science and Technology*, 3(3), 100-103.
38. Махмудов, З. М., & Шарипов, Б. С. Талабаларнинг фанни яхши ўрганишлари учун психо–эмоционал таъсир этишда халқ мақол ва маталларидан тўғри фойдаланиш (лотин тили ва тиббий терминология фани мисолида). *Zbiór artykułów naukowych recenzowanych*, 112.
39. Bektoshevna, E. D., & Salimovich, S. B. (2023). LATIN AND GREC TERMINOLOGY IN THE PROCESS OF STUDY OF OPERATIVE SURGERY. *Yangi O‘zbekistonda Tabiiy va Ijtimoiy-gumanitar fanlar respublika ilmiy amaliy konferensiyasi*, 1(6), 66-72.
40. Sharipov Bobur Salimovich. (2023). ESSENTIAL COMMENTS ON THE CHARACTERISTICS DUE TO THE ORIGIN OF CLINICAL TERMS AND FEATURES OF CLINICAL TERMINOLOGY. *Research Focus International Scientific Journal*, 2(6), 144–148. Retrieved from <https://refocus.uz/index.php/1/article/view/296>
41. Salimovich, S. B. (2023). SOME THOUGHTS ON THE IMPORTANCE AND HISTORY OF THE LATIN LANGUAGE IN WORLD LANGUAGES. *Research Focus*, 2(10), 49-53.
42. Esanova, M. (2023). THE IMPORTANCE OF METHODOLOGY IN LEARNING A FOREIGN LANGUAGE. *Theoretical aspects in the formation of pedagogical sciences*, 2(4), 94-99.
43. Esanova, M., & Buriyev, D. (2023). THE CHALLENGES IN TEACHING ENGLISH TO MEDICAL STUDENTS. *Евразийский журнал академических исследований*, 3(10), 255-260.
44. Genjebaevna, A. P., & Bakhadirovna, E. M. (2022). THE IMPORTANCE OF TEACHING LATIN IN MEDICAL SCHOOLS. *Thematics Journal of Education*, 7(5).
45. Bakhadirovna, E. M. (2023). THE CRUCIAL ROLE OF LANGUAGE PROFICIENCY IN THE ADVANCED YEARS OF MEDICAL



EDUCATION. Multidisciplinary Journal of Science and Technology, 3(5), 402-404.

46. Bakhodirovna, E. M., & Amina, S. (2023, November). DEGREES OF ADJECTIVES. GRAMMAR CATEGORIES. In International conference on multidisciplinary science (Vol. 1, No. 5, pp. 230-233).

47. Bakhodirovna, E. M., & Saqib, T. (2023). PHARMACEUTICAL TERMINOLOGY. Yangi O‘zbekistonda Tabiiy va Ijtimoiy-gumanitar fanlar respublika ilmiy amaliy konferensiyasi, 1(7), 76-80.



Research Science and  
Innovation House



MUNDARIJA

№	Maqola mavzusi va muallif(lar) F.I.SH	Betlar
1.	<b>Unraveling the Pedagogical Conundrum: Teaching Reading as a Complex Challenge</b> Nazarova Shoiraxon Abdumo‘min qizi	7-10
2.	<b>CONTENT, FUNCTION AND TYPES OF PRICE</b> Khalikova Lola Nazarovna, Ziyodova Raykhona Jasur kizi	11-18
3.	<b>ПОВЫШЕНИЕ КАЧЕСТВА ОБУЧЕНИЯ В ТЕХНИКУМАХ: НАПРАВЛЕНИЯ И МЕТОДЫ ОБУЧЕНИЯ РЕМОНТУ ВАГОНОВ</b> Хасанова Марта Ахмедовна Мирзаханова Мехрибон Марат кизи	19-23
4.	<b>Этапы обучения дошкольников письму</b> Г.З. Эшбекова	24-27
5.	<b>Use of folk art to increase students' activity in the educational process</b> Usarova Marguba Nazar kizi	28-31
6.	<b>O‘QISH DARSLARIDA AJDODLAR MEROSIDAN FOYDALANISH ASOSIDA O‘QUVCHILAR SAVODXONLIGINI OSHIRISH</b> Sanoyev G‘aybullo Abduraxmonovich	32-39
7.	<b>BOSHLANG‘ICH SINF O‘QUVCHILARINI XALQARO BAHOLASH DASTURI ORQALI ILMIYSA VODXONLIKLARINI OSHIRISH</b> Burxonov Shavqiddin Sherali o‘g‘li	40-43
8.	<b>Mámleketlik byudjetniń mazmunı hám onıń ekonomikanı tártipke salıwdaǵı áhmiyeti</b> Polatov Karamat	44-49
9.	<b>NAFAS YO‘LLARINING SURUNKALI VA ALLERGIK KASALLIKLARIGA OLIB KELUVCHI PM DISPERS ZARRALARI</b> Salihov Mirilhom Usmonovich Esanov Alisher Akromovich	50-57
10.	<b>Saddi- Iskandariy asaridagi Iskandar etnogenezi</b> Jabborova Umida Panji qizi	58-60



11.	<b>O‘ZBEKISTONNING TURIZM SALOHIYATI</b> Madrimova Guli Sanjarbek qizi Djumaniyozova Maryamjon	61-63
12.	<b>O‘ZBEKISTONDA XOTIN-QIZLARNING SIYOSIY HUQUQLARI VA XALQARO HUQUQIY MUNOSABATLAR</b> Yunusova Shahzoda Rustamovna Djumaniyozova Maryamjon	64-66
13.	<b>ABDULLA AVLONIY ASARLARIDA YOSHLARIMIZNI TARBIALASHNING MUHIM JIHLATLARI</b> Ahmedova Gulnoza, Avezova Mastura	67-70
14.	<b>Turizm sohasini innovatsion marketing asosida takomillashtirish</b> Abdijalalova Gulnar	71-75
15.	<b>NAMANGAN VILOYATI SANOATI</b> Muhammedova Nazokat Jurayevna Talabboyeva Mohinabonu	76-78
16.	<b>THE HISTORY OF STATE IMAGE IN THE EXPERIENCE OF DEVELOPED COUNTRIES: USA</b> Madaminov Obidzhan Zoirdzhanovich	79-83
17.	<b>QURILISH MATERIALLARI KORROZIYASINI OLDINI OLIHNING BA’ZI ASPEKTLARI</b> Raximov Firuz Fazlidinovich, Mamurov Aminjon Ulug‘bek o‘g‘li	84-91
18.	<b>Стоимость поливной воды – как фактор повышения эффективности водопользования</b> Сауханов Жанибек Казиевич Аманбаев Аманали Оразбаевич	92-96
19.	<b>TA’LIM AMALIYOTIDA QO‘LLANILAYOTGAN ASOSIY O‘QITISH TEXNOLOGIYALARI VA METODLARI</b> Adizova Nargiza Zamirovna	97-102
20.	<b>MAKTABGACHA TARBIYA YOSHIDAGI BOLALARDA ROLLI O‘YINLARNING AHAMIYATI</b> Toshboltayeva Nodira Ibrohimjonovna Sobirova Azizaxon Maribjon qizi	103-104

21.	<b>APPLICATION OF INNOVATIVE SOLUTIONS OF DRUM DRYERS IN INDUSTRY</b> Axunbayev Adil Alimovich Koraboev Eldorbek Vohidjon o'gli	105-113
22.	<b>THE EVOLUTION OF ENGLISH AS A RECEPTIVE SPEECH LANGUAGE</b> Nazarialieva Matlyubakhan Anarjanovna	114-124
23.	<b>IN A CLASSROOM CONTEXT, STUDENTS WHO ARE GIVEN CONCISE EXPLANATIONS ARE MORE LIKELY TO COMPREHEND THE MATERIAL</b> Khujanazarova Gulbakhor Gofurjanovna	125-133
24.	<b>GRAMMATIK MODALLIK KATEGORIYA SIFATIDA</b> Hamidova Sayyora Nurmatovna	134-137
25.	<b>TO‘QIMACHILIK SANOAT CHIQINDILARINI QAYTA ISHLASH MUAMMOLARI VA ISTIQBOLLARI</b> S.T. Sultonov Yaxyomirzaey Nodirbek O‘tkirbek o‘g‘li	138-141
26.	<b>IP YIGIRISHNING PAXTA VA KIMYOVIY TOLALARDA O‘ZIGA XOSLIGI</b> S.T. Sultonov Mominjonov Zuhridin Raxmiddin o‘g‘li	142-145
27.	<b>PAXTA TOLASIDAN ISHLAB CHIQRILGAN MAHSULOT SIFAT KO‘RSATKICHLARINI BOSHQARISH</b> S.T. Sultonov Mamadaminov Ramazon Komiljon o‘g‘li	146-149
28.	<b>MAMLAKATIMIZDA TO‘QIMACHILIK SANOATIDA AMALGA OSHIRILAYOTGAN VA BO‘LAYOTGAN ILMIY TADQIQOTLAR</b> S.T. Sultonov Saydullayev Islomjon Anvarjon o‘g‘li Maqsudov Dilmurod Valijon o‘g‘li Axmadaiev Abdulaziz Abdulatif o‘g‘li	150-156





29.	<b>IMPROVEMENT OF THE CONSTRUCTION OF THE 2-CHTL STONE CATCHER USED IN THE COTTON CLEANING PLANT</b> H. E. Turdiyev S. Xamroliyeva N. Umaraliyeva	157-160
30.	<b>IMPROVEMENT OF THE WORKING CAMERA OF THE DV-1M ROLLER DEVICE EQUIPMENT</b> H. E. Turdiyev Z. Khusanova N. Mukhammadaliyeva	161-166
31.	<b>IMPROVEMENT OF PADDLES IN ORDER TO INCREASE THE LEVEL OF COTTON DRYING IN THE 2SB-10 DRUM DRYER</b> X. Oltmishboyev M. Valijonov A. Sharifjonov	167-169
32.	<b>MUSTAQIL TA'LIM TALABALARGA CHET TILINI O'RGATISHNI TAKOMILLASHTIRISHNI SHARTI SIFATIDA</b> Shomuradova Dilbar Abdishukurovna	170-173
33.	<b>O'ZBEKISTONDA INFLYATSIYA MUAMMOSI VA UNGA QARSHI KURASH</b> Musurmankulova Gulchehra Isabekovna	174-178
34.	<b>VALYUTA VA BOZOR: XALQARO MOLIYAVIY TIZIMNING YADRO ASOSLARI</b> Umarov Dilmurodjon Ilhomjon o'g'li Axunova Shohista Nomanjanovna	179-181
35.	<b>ALEKSANDR ARKADEVICH FAYNBERG HAYOTI VA FAOLIYATI</b> Rashidova Amina O'ktam qizi Umurzakova A.U.	182-185
36.	<b>ДИАГНОСТИКА И ХИРУРГИЧЕСКОЙ ЛЕЧЕНИЯ СВИЩЕЙ ПРЯМОЙ КИШКИ</b> Шеркулов Кодир Усмонкулович, Давлатов Салим Сулаймонович, Усмонкулов Маъруфжон Кодирович, Болтаева Нилуфар Комил кизи	186-193

37.	<b>O‘ZBEKISTON RESPUBLIKASI ELEKTROTEXNIKA SANOATINISH O‘ZIGA XOS JHATLARI</b> Bahodirov Jahongir Bahodir o‘g‘li	194-203
38.	<b>КОНКУРЕНТНЫЕ ПРИЕМУЩЕСТВА ПРИВЛЕЧЕНИЯ ИНВЕСТИЦИЙ В ЭКОНОМИКУ РЕГИОНА</b> Сапарбаев Куат Аманбай углы	204-210
39.	<b>STUDY OF TECHNOLOGICAL PROCESSES OF DWARF LOOM LOOMS</b> Khurshidbek Imomnazarov Anvarjonov Davlatbek Abrorjon ogli Yusufjonov Izzatillo Gayratjon ogli	211-214
40.	<b>2SB-10 IMPROVED DRYING EFFICIENCY BY IMPROVING THE INTERIOR OF THE DRYING DRUM</b> Khurshidbek Imomnazarov Nozimakhon Mukhsinova Khusnorakhan Saidazimova	215-217
41.	<b>INCREASING DRYING EFFICIENCY BY IMPROVING THE INTERIOR OF THE SBO DRYER DRUM</b> Khurshidbek Imomnazarov Mehrinsa Olimjonova Sarvarbek Kholmatov	218-220
42.	<b>NOTIPAVIY QOMATLARGA MOS KIYIMLARNING SIFATINI OSHIRISHGA QARATILGAN MAVJUD ILMIY VA AMALIY ADABIYOTLARLAR TAHLILI</b> G‘afurov Jaxongir Kabulovich Abduraximova Manzura Sodiqovna	221-227
43.	<b>FUNGAL DISEASE OF VINE AND CHEMICAL AGAINST IT EFFECTIVE WAYS TO FIGHT WITH SUBSTANCES</b> Kadyrov Hakimjon Iskandarzoda, Zakhidov Qosim Akilovich, Orzujonova Mohila Orzujon qizi, Saitkulov Foziljon Ergashevich, Xudayrov Maxmasaid Maxmarajabovich	228-233



44.	<b>PEDAGOGICAL TENDENCIES OF MUSICAL CULTURE FORMATION IN YOUTH</b> Tojiboyeva Sharofat Ergashovna	234-237
45.	<b>STORY, STYLE AND INTERNAL TYPES IN THE STORY GENRE</b> F.Radjapova, A.Jumaboyeva	238-245
46.	<b>BIOGAZ TEXNOLOGIYASINING AFZALLIGI</b> Choriyev Bekzod Urazovich Sharifova Nargiza Djurayevna Choriyev Xusan Axmadovich	246-252
47.	<b>TIBBIYOTDA NANOTEXNOLOGIYALAR</b> Xoshimova Mo‘mina Shuhratjon qizi Yoqubjonov Abdumutal Abdujalil o‘g‘li Tursunaliyev O‘ktamjon Solijon o‘g‘li	253-256
48.	<b>MATRITSALARNING IQTISODIY MASALALARGA TADBIQI</b> Ashurova Dilfuza Nabiyevna G‘afforova Sevara Kamol qizi Ubaydullayeva Sabina Shavkat qizi	257-261
49.	<b>Технология подготовки магнитных компонентов для двухстаторного электродвигателя</b> Бердиев У.Т, Сулайманов У.Б. Султанов М.У.	262-274
50.	<b>TOSHKENTNING ESKI SHAHAR HUDUDINI REKONSTRUKSIYA QILISHNING SHAHARSOZLIK MASALALARI</b> J.D. Axmedov B.A.Xaminov	275-282
51.	<b>OMMAVIY VA YAKKA TARTIBDA BUYURTMA BO‘YICHA TIKILADIGAN KIYIMLARNI YOQALARINI LOYHALASH XUSUSIYATLARI</b> Berdieva Ra‘no Abduqodirovna Begmatov Dovurbek Begmat o‘g‘li Yoqubov Faxriddin Saloxiddin o‘g‘li	283-288
52.	<b>Talabalarda axloqiy tarbiyani rivojlantirishda tadbirlarning ahamiyati</b> Pirjonov Sarvarbek Davlatovich	289-293



53.	<b>O‘smirlik davridagi bolalar ijtimoiylashuviga ta’sir qiluvchi omillar</b> <b>Pirjonov Sarvarbek Davlatovich</b>	<b>294-297</b>
54.	<b>IMPROVING THE ATTRACTION OF FOREIGN DIRECT INVESTMENT IN THE MANUFACTURING INDUSTRY</b> <b>Nazarova Asal Nuriddin qizi</b>	<b>298-304</b>
55.	<b>CURRENT TRENDS IN THE DEVELOPMENT OF BUSINESS PRODUCTS AND SERVICES IN THE CONTEXT OF DIGITAL ECONOMY FORMATION</b> <b>Khasanov Sokhibjon</b>	<b>305-308</b>
56.	<b>ПЕРИМЕНОПОЗ ДАВОМИДА ЭНДОМЕТРИОЗ БИЛАН АЁЛЛАР ҲАЁТ СИФАТИНИ БАҲОЛАШ</b> <b>Саидова М, Хушбекова Д, Фармонова Г.</b>	<b>309-313</b>
57.	<b>ЛЕЧЕНИЕ КЛИМАКТЕРИЧЕСКИХ РАССТРОЙСТВ У ЖЕНЩИН С ПРОТИВОПОКАЗАНИЕМ К ЗГТ</b> <b>Гулмуродова Д, Юлдашева М, Шермахматова У</b>	<b>314-318</b>
58.	<b>СОМАТИЧЕСКАЯ КОМОРБИДНОСТЬ ВО ВРЕМЯ БЕРЕМЕННОСТИ</b> <b>Абдувалиева М, Фармонова З, Мусинова Ш.</b>	<b>319-332</b>
59.	<b>THE VALUE OF QUALITY OF LIFE AS AN INDICATOR FOR ASSESSING THE COURSE OF ENDOMETRIOSIS</b> <b>Polvonova R, Abdullayeva M, Ergasheva K</b>	<b>333-335</b>
60.	<b>REABILITATSIYA BO‘LIMI HAMSHIRALARI FAOLIYATINING TASHKILY SHAKLLARINI ILMIY ASOSLASH</b> <b>Qodirov Jobir Hayitqulovich, Rizaev Jasur Alimjanovich</b>	<b>336-342</b>
61.	<b>TECHNOLOGICAL AND OPERATIONAL INSIGHTS INTO AIR-BASED COTTON TRANSPORTATION DEVICES</b> <b>H. E. Turdiyev O. Abdubannobova X. Maxsudova</b>	<b>343-347</b>



62.	<b>IMPROVEMENT OF 1VPU FIBER CLEANER</b> H. E. Turdiyev F.Akhadova O.Jurayeva	348-352
63.	<b>КАЧЕСТВО ЖИЗНИ –КАК КРИТЕРИЙ ОЦЕНКИ ТЕЧЕНИЯ ПЕРИМЕНОПАУЗЫ</b> Эрназарова З, Муратова Д, Турсункулова М.	353-355
64.	<b>QUVIB O‘TISH VA QARAMA-QARSHI HARAKATLANISH BILAN BOG‘LIQ YO‘TRANSPORT HODISALANI TAXLIL QILISH</b> Fozilov Sultonali Xoshimjon o‘g‘li Abduqodiriy Alijon Abdulaziz o‘g‘li Madaliyev Oybek Jo‘raboyevch Axmedova Zulxumor Maxmudjonovna Yo‘ldasheva E‘zoza Husanboy qizi	356-365
65.	<b>MADANIY-TARIXIY TURIZMNING MOHIYATI VA UNING O‘ZIGA XOS XUSUSIYATLARI</b> Jumaniyazova Ozodaxon Zaripboy qizi Xamroyev Xalim Rozikovich	366-376
66.	<b>M1 TOIFALI AVTOMOBILLARNI TURLI MUHITLARDA TORMOZLANISHINI TAHLIL QILISH VA PARAMETRLARINI O‘RGANISH</b> Abduqahorov No‘monbek Oybek o‘g‘li Turdialiyev Jonibek Xusinovich Mo‘minov Nurali Ro‘zibayevich	377-386
67.	<b>STUDY OF SPACING OF PILE DRUMS WITH SUPPLY ROLLS</b> H. E. Turdiyev G.Xolmatova M.Qo‘ldosheva	387-391
68.	<b>FORMATION OF COMMUNICATION CULTURE BASED ON DIALOGUES IN AN ENGLISH LESSON IN A HIGHER EDUCATIONAL INSTITUTION</b> Almira Shamsunovna Nigmatullina Guzal Djaxonobodxonovna Xodjayeva	392-400
69.	<b>IMPROVEMENTS TO THE 5LP LINT SEPARATOR</b> H. E. Turdiyev D.O‘zganova, A.Raximjonova	401-404

70.	<b>IMPROVING THE EFFICIENCY OF THE TECHNOLOGY FOR CLEANING SMALL IMPURITIES IN SEED COTTON</b> H. E. Turdiyev J.Abduraimov D.Shamatova	405-407
71.	<b>XORAZM VILOYATI QISHLOQ JOYLARIDA IJTIMOYIY INFRASTRUKTURA TIZIMINING HUDUDIIY TARKIBI</b> Komilova Nilufar Qarshibayevna Atayeva Nazira Polvonnazarovna Shomurodov Mansurbek Jonibek o'g'li	408-414
72.	<b>INGLIZ TILI O'QITISHDA O'Z-O'ZINI BAHOLASH TEXNOLOGIYASINI JORIY ETISH MASALALARI</b> Rustamova Shahnoza Aripovna	415-422
73.	<b>Tuproqqal'a imkoniyatlar poydevori</b> Urazbayev Nematjan Rustamovich Yo'ldasheva Mashhura Jo'rabek qizi	423-430
74.	<b>BOLANING IJODIY FIKRLASHIDA MAKTABGACHA TA'LIM TASHKILOTI TARBIYACHILARINING OILA BILAN HAMKORLIGI</b> Axmedova Gulnoza, Aminova Mahliyo	431-435
75.	<b>ОСОБЕННОСТИ И ТРАВМЫ МЯГКОЙ ТКАНИ ПОЛОСТИ РТА У ДЕТЕЙ</b> Халилова Барчиной Расуловна	436-442
76.	<b>КОНТРАЦЕПТИВНОЕ ПОВЕДЕНИЕ ЖЕНЩИН, ПЕРЕНЕСШИХ КЕСАРЕВО СЕЧЕНИЕ</b> Насирова З.А., Бахтиёрова Ф, Абдубокиева Д.	443-457
77.	<b>INVESTITSION LOYIHALARNI MOLIYALASHTIRISH MANBALARI VA ANAMIYATI</b> Bo'riyev Shaxboz Qamariddin o'g'li	458-462
78.	<b>ДАРОМАДЛАР ВА ХАРАЖАТЛАР ҲИСОБИНИ ТАКОМИЛЛАШТИРИШ</b> К. Р. Хотамов, Зарова Юлдуз Комил қизи	463-470





79.	<b>ENERGETIKA SOHASIDA VUJUDGA KELISHI MUMKIN BO‘LGAN XUFYONA IQTISODIYOTNING OLDINI OLIH IMKONIYATLARI</b> <b>Ruzmatov B.SH.</b>	471-475
80.	<b>XALQARO HUQUQIY MUHITDA DAVLAT- XUSUSIY SHERIKLIK KONSEPSIYASINI RIVOJLANTIRISH</b> <b>Jummayev Ma‘mur Nuritdinovich</b>	476-484
81.	<b>INNOVATIVE ACTIVITIES OF INDUSTRIAL ENTERPRISES INFLUENCING FACTORS</b> <b>Gulamov Jasurbek Muhammadali ugli Egamberdiev Shavkatbek Shakhobiddin ugli Mukhtorov Oyatillo Nematjon ugli</b>	485-490
82.	<b>O‘ZBEKISTON RESPUBLIKASI QUOLLI KUCHLAR HARBIY XIZMATCHILARI PUL TA‘MINOTINING HUQUQIY ASOSLARI</b> <b>Usmonov Sh. Sh. Jamoliddinov J.B</b>	491-502
83.	<b>TIBBIYOTDA ISHLATILADIGAN IBORALAR VA AFORIZMLAR</b> <b>Aytmuratova Perxan Genjebayevna Ashirova Noila Abror qizi</b>	503-511
84.	<b>MUNDARIJA</b>	512-521

Research Science and  
Innovation House

